



NaviTrack Scout

RIDGID®

EN	p. 3
DE	p. 17
FR	p. 33
NL	p. 49
IT	p. 65
ES	p. 81
PT	p. 97
SV	p.111
DA	p. 125
FI	p. 139
NO	p. 153
HR	p. 167
PL	p. 181
RO	p. 197
CZ	p. 212
HU	p. 226
EL	p. 241
RU	p. 257
SK	p. 273
SL	p. 288
SR	p. 302
TR	p. 316



RIDGE TOOL COMPANY



FIND IT



SEE IT



CLEAN IT

EN

NaviTrack Scout Operating Instructions

Original Instructions - English



GENERAL SAFETY INFORMATION

WARNING! Read and understand all instructions. Failure to follow all instructions listed below may result in electric shock, fire, and/or serious personal injury.

**READ THE ENCLOSED SAFETY INSTRUCTIONS.
SAVE THESE INSTRUCTIONS!**

The EC declaration of conformity (890-011-320.10) will accompany this manual as a separate booklet when required.

Battery Precautions

- **Use only the size and type of battery specified. Do not mix cell types (e.g. do not use alkaline with rechargeable).** Do not use partly discharged and fully charged cells together (e.g. do not mix old and new).
- **Recharge batteries with charging units specified by the battery manufacturer.** Using an improper charger can overheat and rupture the battery.
- Properly dispose of the batteries. Exposure to high temperatures can cause the battery to explode, so do not dispose of in a fire. Some countries have regulations concerning battery disposal. Please follow all applicable regulations.

1. Scout Use and Care

- **Use equipment only as directed.** Do not operate the Scout unless proper training has been completed and the owners manual read.
- **Do not immerse the antennas in water.** Store in a dry place. Such measures reduce the risk of electric shock and instrument damage.
- **Check for breakage of parts, and any other conditions that may affect the Scout's operation.** If damaged, have the instrument serviced before using. Many accidents are caused by poorly maintained tools.
- **Use only accessories that are recommended by the manufacturer for the Scout.** Accessories that may be suitable for one instrument may become hazardous when used on another.
- **Keep handles dry and clean; free from oil and grease. Allows for better control of the instrument.**
- **Protect against excessive heat.** The product should be situated away from heat sources such as radiators, heat registers, stoves or other products (including amplifiers) that produce heat.

1.1 Service

- **Diagnostic instrument service must be performed only by qualified repair personnel.** Service or maintenance performed by unqualified repair personnel could result in injury.
- **Provide proper cleaning.** Remove battery before cleaning. Do not use liquid cleaners or aerosol cleaners. Use a damp cloth for cleaning.

- **Conduct a safety check.** Upon completion of any service or repair of this product, ask the service technician to perform safety checks to determine that the product is in proper operating condition.
- **Damage to the product that requires service.** Remove the batteries and refer servicing to qualified service personnel under any of the following conditions:
 - If liquid has been spilled or objects have fallen into product.
 - If product does not operate normally by following the operating instructions.
 - If the product has been dropped or damaged in any way.
 - When the product exhibits a distinct change in performance.

In any correspondence, please give all the information shown on the nameplate of your tool including model number and serial number.

1.2 Important Notice

The Scout is a diagnostic tool that senses electromagnetic fields emitted by objects underground. It is meant to aid the user in locating these objects by recognizing characteristics of the field lines and displaying them on the screen. As electromagnetic field lines can be distorted and interfered with it is important to verify the location of underground objects before digging.

Several utilities may be underground in the same area.

Be sure to follow local guidelines.

Exposing the utility is the only way to verify its existence, location and depth. Ridge Tool Co., its affiliates and suppliers, will not be liable for any injury or any direct, indirect, incidental or consequential damages sustained or incurred by reason of the use of the Scout. Several utilities may be underground in the same area. Be sure to follow local guidelines.

2. Introduction to the Scout

The Scout™ sonde and line locator uses multi directional antennas and advanced processing to make pinpointing sondes and tracing buried utility lines fast, accurate and easy.

2.1 What are Its Unique Features?

Scout's advanced technology gives several unique features over conventional locators:

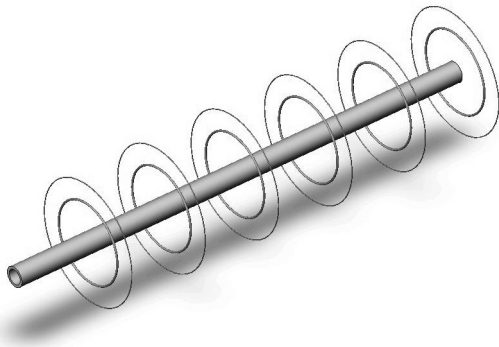
- Multi Directional Antenna System.
- Micro Map View.
- Indicate distinct signal characteristics.

2.2 What Does It Do?

The Scout is used above ground to sense electromagnetic fields emitted from underground or hidden lines (electrical conductors like metal wires and pipes) or sondes (actively transmitting beacons). When the fields are simple and undistorted, then the sensed fields are representative of the buried object. The Scout locates conductive objects emitting a field; it does not directly sense underground objects.

Electrical fields emitted by buried objects can be of two types; the first type is emitted by long conductors such as energized wires, inspection camera pushcables or pipes.

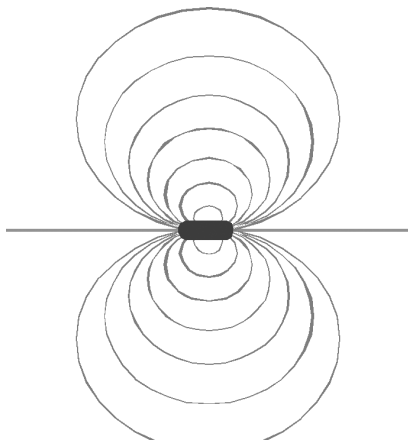
These objects produce a long cylindrical field and this is often referred to as "Line" tracing.



The field emitted by a charged line.

(Passive, AC Tracing is just a special case where the line is “energized” with electrical power.)

The second type, sondes (also called transmitters, beacons, or active duct probes), emit a differently shaped field and the Scout is programmed to measure and display this type of field. The more complex field shape of a sonde is called a dipole field, and is the same as that produced by a bar magnet and our planet Earth.

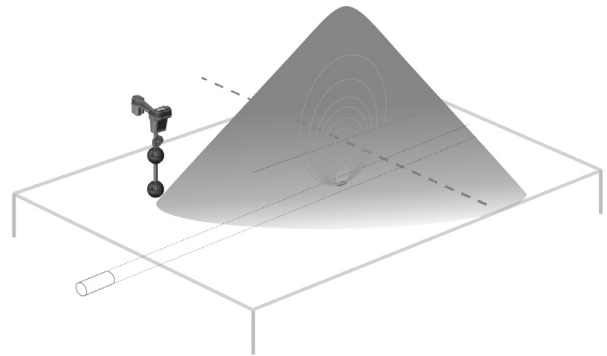


The dipole field emitted by a sonde.

Electromagnetic fields have three (3) important properties: frequency, strength and angle (direction). Unlike conventional locators, which can only measure strength in the direction of the individual antenna(s), the Scout measures both signal strength and field angles in three dimensions (3D). This enhanced capability makes the mapping display possible.

The experienced operator can use this additional information to speed the locating process and to help sort out complex locating situations. On the other hand, the occasional or novice user can easily locate using signal strength alone.

The Scout locating rule #1 is make the number big! –
Maximizing signal strength is the key, primary locating method.



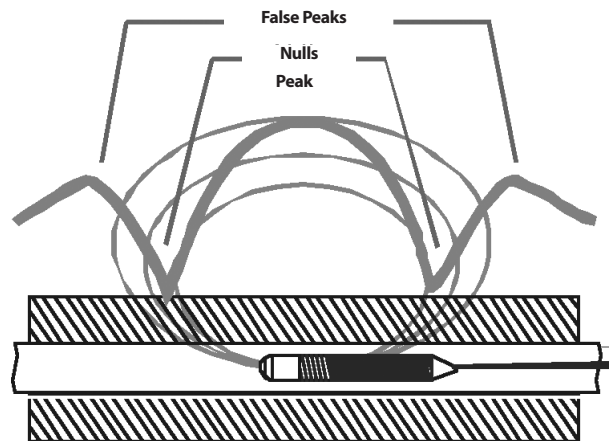
Example of how the Scout maximizes directly over the sonde.

Whether line tracing or locating a sonde, maximum signal strength occurs over the target. Depth is displayed when over the target.

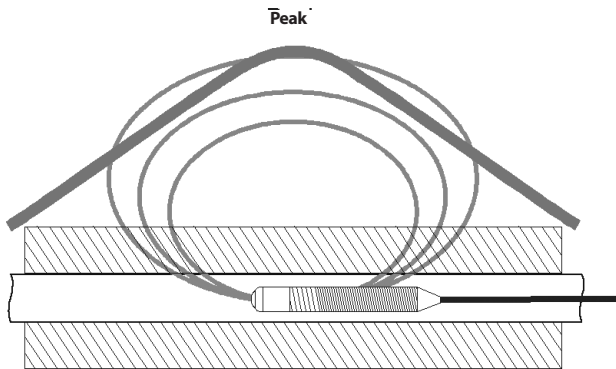
2.3 What Is The Scout Multi Directional Advantage?

Viewing all of the signal with Multi directional antennas offers definite advantages:

1. Signal always gets stronger as user gets closer to the target.
2. Eliminates Nulls and “Ghost Peaks”. A conventional locator signal has a peak, then a null and then a smaller peak. This can confuse the operator, especially if they interpret a smaller peak as the target (known as “Ghost” or “False” peaks). The Scout sees just one peak to draw the user to the target.



Sonde signal as “seen” by a conventional locator. Main peak in center and two false peaks outside the two nulls.



Sonde signal as “seen” by the Scout. Only one peak, no nulls.

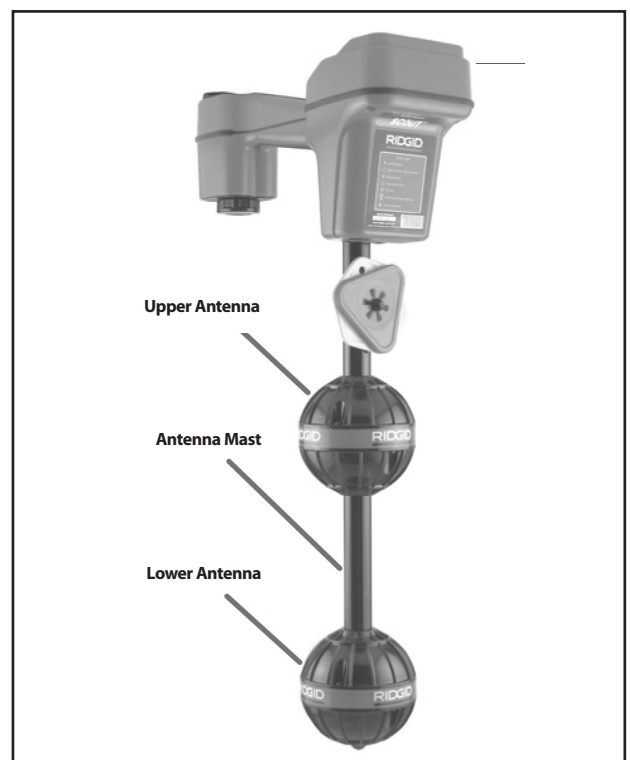
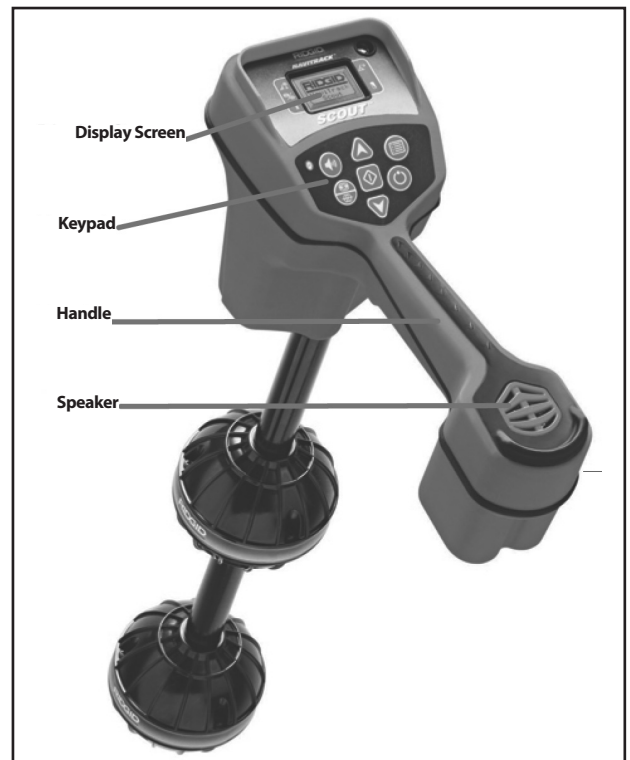
3. How the unit is held does not affect signal strength.
The user can approach from any direction and does not need to know the lie of the pipe or wire.
4. Additional tools to identify and solve “difficult” locates include a graphical micro map and an angle indicator to help interpret signal characteristics.

2.4 What Is The Micro Map Advantage?

The map provides graphics that shows the signal’s characteristics. It is a bird’s eye view of the signal underground, shown graphically on the screen. It is used as a guide for tracing underground lines and can be used to better pinpoint sondes. It can also be used to provide more information for complex locates.

By moving the locator over the ground the Scout passes over the signal emitted by the underground objects. This allows the user to see on the screen, visualizations of the signal and then mark them. Conventional locators cannot map the underground signal as their antennas cannot see the complete shape of it.

3. Scout Components

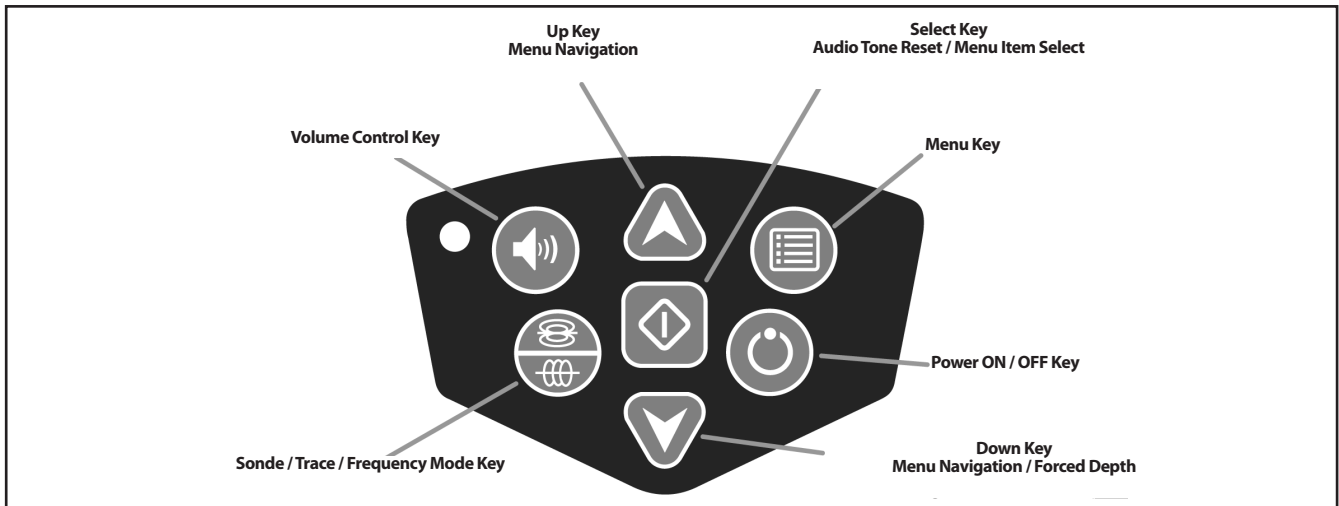




Display Screen



Keypad

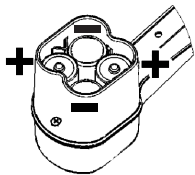


- Volume Control Key** – opens and closes the Sound Level menu.
- Sonde/Trace/Frequency Mode Key** – switches active frequencies and functions.
- Up Key** – scrolls up through menu choices.
- Select Key** – selects the highlighted choice when a menu is open.
- Down Key** – scrolls down through menu choices.
- Menu Key** – opens/closes the menu.
- Power ON/OFF Key** – turns the Scout on or off.

4. Getting started

4.1 Installing/Changing Batteries

To install batteries into the Scout turn the unit over to access the battery compartment. Turn the knob on the battery cover counter clockwise. Pull straight up on the knob to remove the door. Insert the batteries as shown on the inside decal and make sure they drop to full contact. Fit the door into the case and turn the knob clockwise while lightly pressing down to close. The battery cover can be installed in either orientation.



When the Scout is turned on it takes a few seconds to check the batteries. Until then the battery level will show as "empty".

⚠ WARNING


Do not allow debris to fall into battery compartment. Debris in the battery compartment may short the battery contacts, leading to rapid discharge of the batteries, which could result in electrolyte leakage or risk of fire.

4.2 Operation Times

Typical operation time for the Scout locator, when using alkaline cells, ranges from about 12 to 24 hours depending on factors such as sound volume, and how often the backlight is on. Other factors that affect the operation time will include chemistry of the battery (many of the new high performance batteries, such as the "Duracell® ULTRA" do last 10%-20% longer than conventional alkaline cells under high demand applications). Operation at low temperatures will also reduce battery life.

To preserve battery life the Scout will automatically shut down after 1 hour of no key presses. Simply turn the unit on to resume use.

4.3 Powering Up and Down

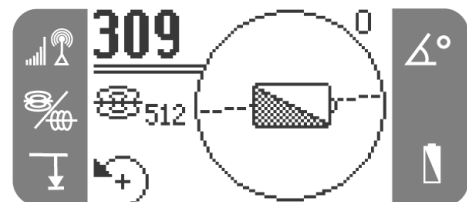
Turn the power on by depressing the Power key  on the keypad. The RIDGID® logo displays, the software version number will appear in the lower right corner.



Turn the unit off by depressing and releasing the Power key  on the keypad. Be aware there is a delay of a few seconds while turning on/off the unit.

4.4 Low Battery Warning

When the battery gets low, a battery icon will appear in the map area on the screen. This indicates that the batteries need to be changed and that the unit will soon shut down.



Just before complete shut down there will be a non-interruptable power down sequence.

In some cases the voltage on rechargeable batteries may drop so quickly that the unit will just shut down. The unit will turn off and restart. Just replace the batteries and turn the unit back on.

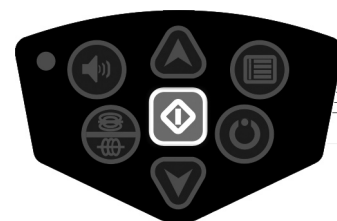
5. Set up

Once the Scout is up and running the next step is to set up the frequencies needed that match the equipment to be located. Each is activated for use by selecting them from a list in the menu.

1. Push the menu key, highlight the selection, then press the select key to activate:



2. Using the up and down arrows highlight a frequency to match the one used in the sonde or on the line transmitter, then press the select key to check the box. See the Menu Choices for reference. Hit the menu key to return to the main screen.





⚠ WARNING

Be sure that the frequency selected matches the desired use. 512 and 33 are available as a sonde AND a line trace frequency. Using a sonde frequency for line tracing or vice versa, can cause the Scout to display incorrect depth information.

- Now press the sonde/trace/frequency mode key to cycle through the activated frequencies and modes. Pay attention to the icons on the screen to see which mode the Scout is operating in.



- If the depth, auto backlight or LCD contrast needs to be adjusted then highlight the selection in the tools section of the menu and make changes using the select key.



5.1 Menu Choices

Sonde Mode Frequencies		512 Hz 640 Hz 874 Hz 33 Hz
Line Trace Mode Frequencies		50 Hz (Passive) 60 Hz (Passive) 512 Hz 8 kHz 33 kHz
Tools Menu		Feet/Meters Auto Back Light LCD Contrast

5.2 Sounds of the Scout

The sound is related to increasing or decreasing signal strength. It rises in pitch and volume when signal increases, or down when signal decreases. As the signal ramps up, it will step in pitch and volume on the way up only

to help push the operator to the maximum signal strength. If the signal strength drops, the sound returns to a base tremolo as if it saw no signal. The Scout has an automatic gain. When the gain moves up or down a step the sound will reset to the higher or lower intensity. Adjust the sound volume by pressing the Sound Key.



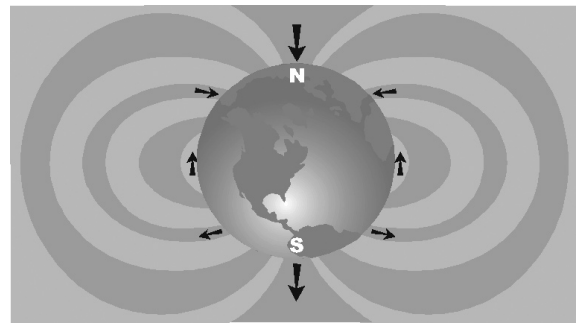
The volume will move with each press of the sound key or the up and down arrows can be used to adjust the volume as well. Press the select key to exit this screen.



NOTE Pressing the select key during normal operation will center the pitch to a medium level.

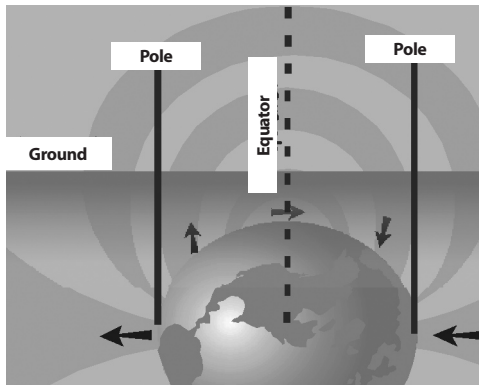
5.3 Overview - Understanding sondes and the Scout

Sondes (also called transmitters, beacons or active duct probes) emit an electro-magnetic field very similar to the magnetic field that emanates from the Earth.



In fact, if the Earth were turned on its side, its magnetic field would look a lot like the field from a sonde.

As a locator, the Scout can measure the shape (angle) of the field lines from a sonde and identify distinct characteristics of these lines. Three important characteristics are the two **POLES** and the **EQUATOR**. At the Poles the angle of the signal is 90 degrees (vertical). At the Equator it is 0 (horizontal). Poles are distinct points in space, while the Equator wraps completely around the sonde. Since these distinct characteristics are constant, they can be used to accurately pinpoint the location of the sonde.



Poles usually occur where conventional locators would experience “nulls”, the dead spots that occur when the signal passes through their antennas vertically. The difference is that Scout can “see” the Poles (“nulls”) and show you where they are, **even when you’re not directly over them, and no matter how Scout’s antennas are aligned with the signal.**

This is one reason why locating with Scout is so much easier than with conventional locators.

The sonde is located at the point where the Equator passes directly between the two Poles.

5.4 Locating the sonde

The Scout can be used to locate the signal of a sonde (transmitter) in a pipe, so that its location can be identified above ground. Sondes can be placed at a problem point in the pipe using a camera push rod or cable. They can also be flushed down the pipe.

The following assumes that the sonde is in a horizontal pipe, the ground is approximately level and the Scout is held with the antenna mast vertical.

IMPORTANT Signal strength is the key factor in determining the sonde’s location. To ensure an accurate locate, you **MUST** take care to maximize the signal strength prior to marking an area for excavation.

5.4.1 When locating a sonde set up the locate in the following manner:

- **Before** putting the sonde in the line, use the Scout to make sure it’s operating and that Scout is receiving its signal.
- Once the sonde is in position and transmitting, activate the sonde and match the same frequency as the sonde on the Scout. Make sure it has a sonde mode icon

⚠ WARNING

Be sure that the frequency selected matches the desired use. 512 and 33 are available as a sonde AND a line trace frequency. Using a sonde frequency for line tracing or vice versa, can cause the Scout to display incorrect depth information.

- Go to the suspected sonde location. If the direction of the pipe is unknown, push the sonde a shorter distance into the line (~5m from the access, is a good starting point).

5.4.2 Next, use one of the following methods to locate the sonde:

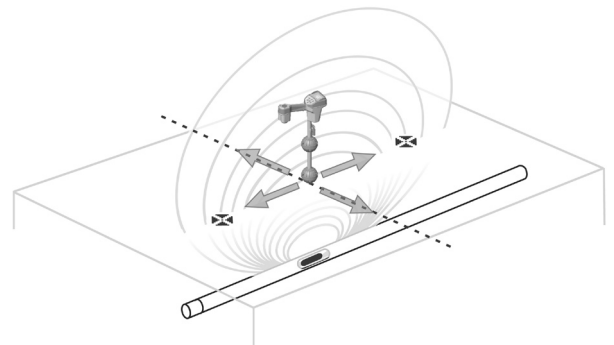
Method 1 – Maximize Signal Strength

1. Hold the Scout so the mast is out away from your body. Sweep the mast in the suspected direction of the sonde while observing the signal strength and listening to the sound. The signal will be highest when the mast is pointing to the sonde.
2. Lower Scout to its normal operating position (mast vertical) and walk in the direction of the sonde. As you approach, the signal strength will increase and the audio tone will ramp and rise in pitch. Use the signal strength and the sound to **maximize the signal.**



3. Once the maximum has been found, place the Scout close to the ground over the peak and move in all directions to make sure that the signal drops off.

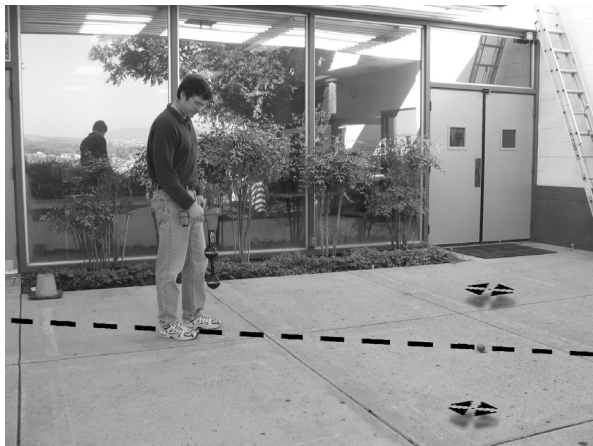
NOTE The highest signal counts, the equator line can be on a different position than the highest signal if the sonde is tilted (see section tilted sonde).



Method 2 – Follow the Equator – Then Maximize

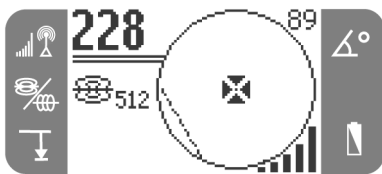
1. Works best in unobstructed, open areas, **when the sonde is expected to be horizontal.** Sweep the mast and then walk in the direction of maximum signal strength as in Method 1.
2. When the Scout displays a steady Equator line centered on the screen, follow it towards increasing signal strength. When maximum signal strength is reached move the Scout along the Equator **and in all** directions to be sure that it is on the peak.

When the Sonde is tilted be sure the find the maximum signal as that is the place where the sonde will be.



Verify the locate.

1. At the point of maximum signal strength, and with the mast vertical, move the Scout perpendicular to the Equator line on the screen. When the Pole icon appears move Scout until the Pole icon is centered on the crosshairs **with the lower antenna ball** on the ground. Place one of the triangle orange markers on the ground at this spot.



View when Scout is on the pole.

2. Move Scout back across the Equator line to the other pole. Center the crosshairs on the second Pole icon and mark its position as before.
3. Move back to the **maximum signal strength**. Mark this point on the ground with the **yellow hexagon marker chip**. Move the lower antenna ball slowly away from the yellow marker in all directions while observing the signal strength display. The signal strength should be highest directly over the sonde.
4. Look to see that all three markers are aligned and that the yellow hexagon marker is approximately halfway between the Pole markers.

If the yellow marker is not in the middle, see the section on tilted sondes.

IMPORTANT Being on the Equator does NOT mean you're over the sonde! Remember that signal strength is the key factor in locating the sonde. You must be at the point of highest signal strength. For best accuracy use the bubble level. The mast **MUST** be vertical when marking the Poles and Equator, or their locations will be incorrect!

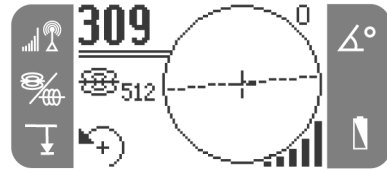
5.5 Measuring Depth

The Scout measures depth by comparing the strength of the signal at the lower antenna to the upper antenna.

Depth is measured when the bottom antenna is touching the ground directly above the signal source.

1. To measure depth, place the locator on the ground, directly above the sonde or line. Make sure that the angle indicator reads 5 degrees or

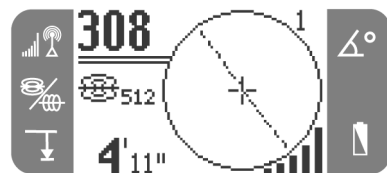
less. Then slowly rotate the unit in the direction of the arrow shown on the **bottom left** of the screen until the depth appears.



The bubble level is useful when measuring depth to make sure that the antenna mast is vertical.

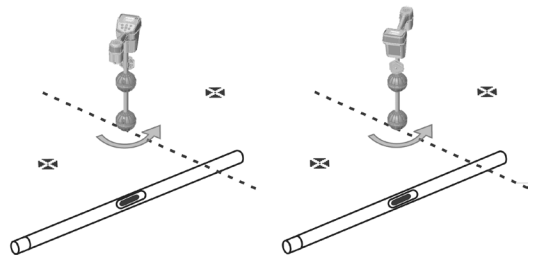
In order to maximize signal and achieve a more accurate depth reading, the Scout needs to be rotated to align the antenna with the signal.

2. Depth will be shown in the lower left hand corner.



3. **Force Depth Feature** - If the angle indicator reads higher than 5 degrees then the Scout will not give a depth measurement. Press the down arrow key and hold it. This will force the depth if depth can be measured (see the following section on tilted sondes).

When checking the depth always take a measurement, then rotate the Scout 180 degrees (1/2 circle) and take another depth measurement. Be sure that the lower ball stays at the same position on the ground and the mast is vertical. If the depth readings are not within about 10% of each other then distortion is present and the depth reading should be questioned.



5.6 Operating Tips for Locating a sonde

- Use the sound when possible to help guide the Scout to the maximum signal strength.
- If the Equator is crossed, and the signal is not maximized, follow the Equator to the highest signal strength. Simply finding the Equator of the sonde (the dashed line on the screen) does NOT indicate that the sonde has been found. The point of maximum signal strength must also be found. If the sonde is steeply tilted, the Equator will NOT lie directly above the sonde and the distance from the sonde to each Pole will not be equal. If the sonde is tilted, maximize the signal.
- Always confirm the point of maximum signal strength. Verify what the map is showing, unless it is known for a fact that all the required conditions have been met. The map assumes the following conditions:
 1. The ground is level.
 2. The sonde is level.

3. The Scout Locator is above ground level.
4. The Scout Locator is held approximately vertical, antenna mast pointing straight down.

If these conditions are not met, pay close attention to maximizing signal strength. In general, if the above conditions are true and if the Scout is within about two “depths” of the signal source, the map will be useful and accurate. Be aware of this when using the map if the target or signal source is very shallow. The useful search area using the map alone can be small if the sonde is extremely shallow.

5.7 Tilted sondes

If the sonde is tilted, one Pole will move closer to the sonde and the other farther away so that the sonde location no longer lies midway between the two poles. The signal strength of the nearer Pole becomes much higher than that of the more distant Pole. In the extreme, as the sonde tilts to vertical, the one Pole moves to a point directly above the sonde and this Pole will

also correspond to the point of maximum signal strength. The other Pole will not be seen.

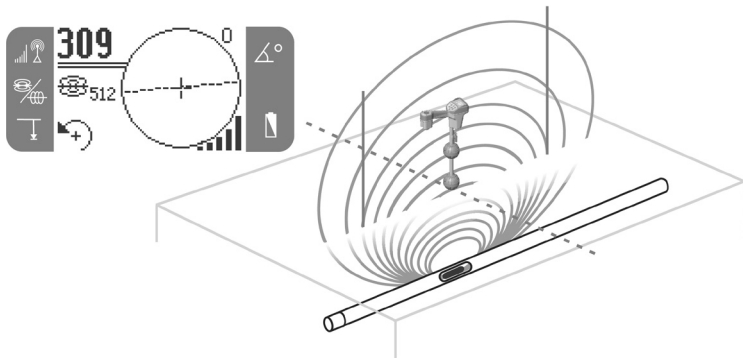
Therefore even if the sonde is vertical, as it could be if it fell into a break in the line or an underground tank, the sonde can still be located.

What is seen on the screen is a Pole of maximum signal strength when the sonde is vertical.

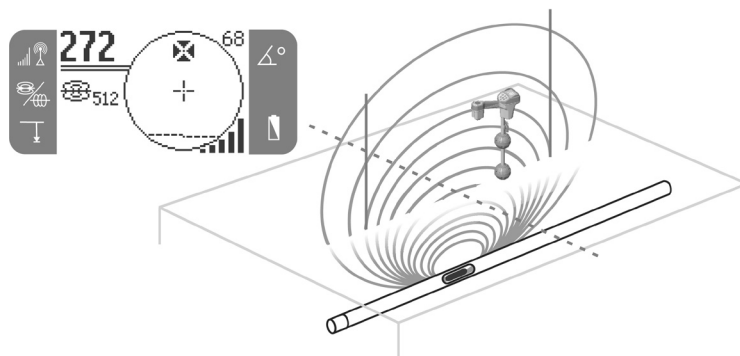


The multi directional antennas allow the depth to be measured even if the sonde is tilted. In this circumstance the force depth feature must be used to take a depth measurement (see Measuring Depth).

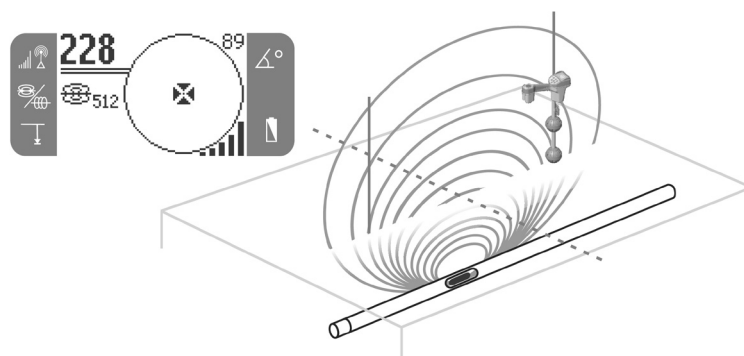
Micro map - Examples – Sonde Mode



Scout on the Equator



Scout leaves the Equator and approaches the Pole



Scout on the Pole

6. Tracing a Line with Scout

The Scout can also be used to trace a pipe or line so that the ground above it can be marked. This identifies the line's location so that it can be avoided during a dig or exposed for repair or replacement. The Scout can locate energized lines with a variety of frequencies or it can be used passively to conduct a sweep to locate any long conductors carrying signals. Underground lines are energized with a line transmitter. This active signal is then traced using a receiver such as the Scout.

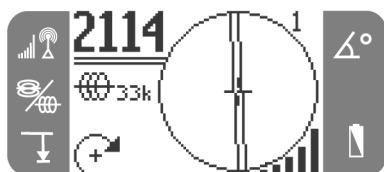
1. Attach the line transmitter to the line according to the manufacturer's instructions.

A "transmitter" is a generic name used for anything that generates a locatable signal. It is used to describe a sonde as well as the device that is used to energize a cable or pipe.

2. Match the frequency used on the transmitter with the same frequency on the Scout. Be sure it has a line trace icon ~. Push the main menu button to return to the locate screen.



3. When beginning the trace it is recommended that signal strength be observed first to see if it drops when the Scout is pulled away. Point the mast at the leads or the transmitter itself if using inductive mode. Over the line it should peak and drop off on either side. If the signal strength and lines on the screen DO NOT agree then the signal may be distorted.
4. When tracing, the way the pipe or cable is running will be shown on the screen with 2 solid lines. Keeping the lines on the center indicates that the Scout is tracing the line underground. If the line moves off to the left or right then move the Scout to get the line back on center. The signal emitted from a line is strongest directly over that line. If that is not the case then distortion is present.



NOTE When using a line trace frequency there are two lines on the screen. When using a sonde frequency the Equator is a single line.

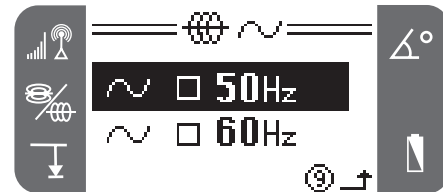
CAUTION Care should be taken to watch for signal interference that may give inaccurate readings. Depth readings should be taken as estimates and actual depths should be verified by exposing the line before digging.

5. When beginning the trace it is recommended that signal strength be observed first to see if it drops when the Scout is pulled away. Point the mast at the leads or the transmitter itself if using inductive mode. Over the line it should peak and drop off on either side. If the signal strength and lines on the screen DO NOT agree then the signal may be distorted.

6.1 Tracing a Passive AC Line

In passive mode the Scout senses alternating current, or AC fields. Buried power lines typically do not emit any traceable signal unless power is flowing in the wires. For example street lights that are turned off are hard to trace passively.

1. Select a Passive AC Trace Frequency with the passive line trace icon ~.
2. The Scout has two (2) passive AC tracing frequencies that are standard. They are 50 Hz and 60 Hz.

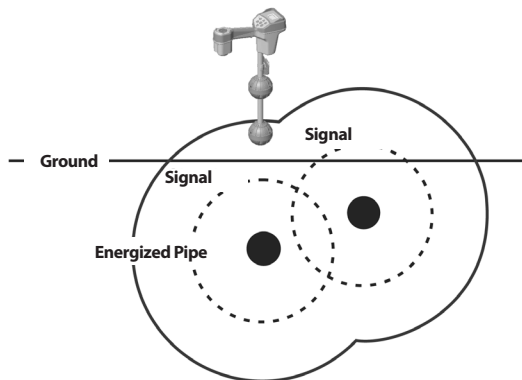


6.2 Operating Tips for Line Tracing

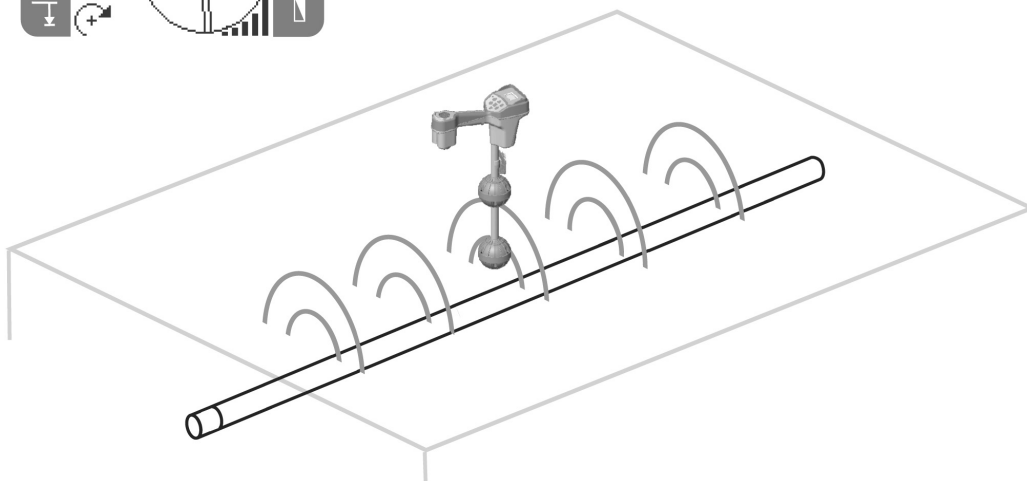
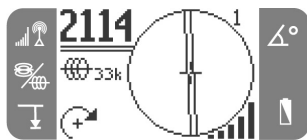
- **When the lines are not centered on the map, but signal strength is maximized, distortion is present!**
 - a. Try changing the frequency used to a lower one.
 - b. Move the ground stake position away from the line to be traced.
 - c. Make sure that the line is not commonly bonded to another utility.
- If the lines will not center or if they move across the screen inexplicably, then the Scout may not be receiving a clear signal.
 - a. Check the transmitter to be sure that it is operating and well grounded.
 - b. Test the circuit by pointing the lower antenna at either transmitter lead.
 - c. Check that the Scout and transmitter are operating on the same frequency.
 - d. Try different frequencies, starting with the lowest, until the line can be picked up dependably.
- Current flows best from the smallest lines to the largest (lowest resistance) lines. An example would be tracing a pipe from the house to the street.
- While tracing, the signal should maximize, and the depth minimize, at the same place where the lines centers on the display. If this is not the case, the utility may be turning or other coupled signals may be present.
- Higher frequencies bleed over more but may be needed to jump breaks in tracer wires or go over insulating couplers.
- When using the transmitter inductively be sure to begin the locate 10/15m away to avoid "air coupling". This is where the Scout will pick up the signal from the transmitter directly and not from the line to be traced.

If the lines will not center or if they move across the screen inexplicably, then the Scout may not be receiving a clear signal.

- a. The ground is level.
 - b. The line is level.
 - c. The Scout Locator is above ground level.
 - d. The Scout antenna mast is held approximately vertical.
- If these conditions are not met, pay close attention to maximizing signal strength. In general, if the Scout is within about two "depths" of the line, the map will be useful and accurate. Be aware of this when using the micro map if the target or line is very shallow. The useful search area in micro map can be small if the line is extremely shallow.



Micro map - Example – Line Trace



7. Tools Menu

7.1 Change of Depth Units

The Scout can change the units that it measures depth in to either Feet or Meters. To change these settings simply highlight the depth icon in the Tools Menu and then press the select key to toggle between feet or meters.



7.2 Auto Back Light

Low light levels are sensed by a light detector built into the upper left corner of the keypad. The backlight can be forced on by blocking the light to this sensor with a thumb.

The automatic LCD backlight is factory set to only turn on under fairly dark conditions. This is to conserve battery power. As the batteries near depletion, the backlight will appear dim. Near the end of battery life, the backlight operates at a very low level to conserve battery power.

To turn the backlight off, highlight the light bulb icon in the tools section of the menu and press the select key to toggle between Auto and OFF.



7.2.1 LCD Contrast

When this is highlighted and selected the LCD contrast can be adjusted with the up and down arrows.



8. Useful information

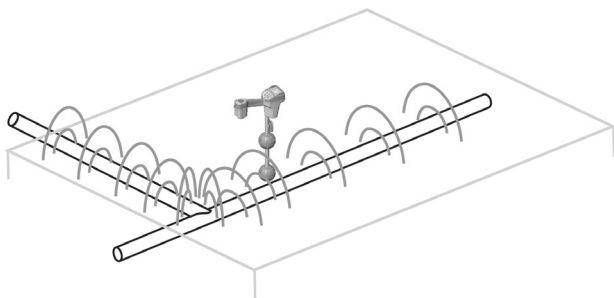
8.1 Signal Interference

8.1.1 Distorted Fields

Sometimes a single field may encounter metal or other ferrous material in the ground that may distort the field lines. It may be another utility, buried scrap or old unused lines that can shunt or shorten the field lines. In this case the Scout may display a weaker signal around the object and a stronger signal directly above it. The object may act as a lens that amplifies or weakens signal unpredictably.

8.1.2 Composite Fields

Composite fields are also possible. Where a single field meets another, the two, or more, may create a stronger signal. It is important for operators to understand this around "Ts" or right angles in the line, where composite fields are often encountered.



Composite field shown around a connection in the line.

8.1.3 Noise

Interfering signals (noise) are simply part of the locating challenge. Interference can either be at the same frequency being used, or it can be "out of band" at other frequencies. Some of the largest interfering signals are generated by power transmission equipment. Power transformers, large electric motors or generators and lines can be the source of very large noise signals. Areas that are particularly noisy should be avoided if possible.

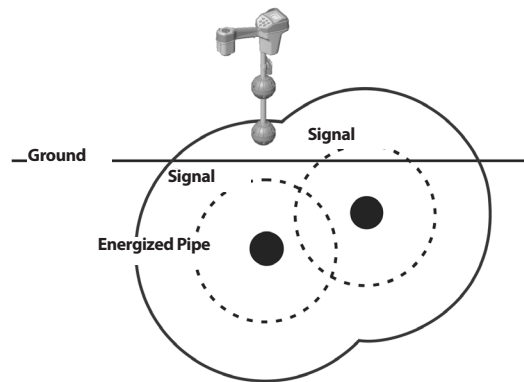
If the angle display is unstable and not steady, and/or if the signal levels are not steady, this is a good indication of either no target signal present (sonde or energized line), or a high level of interfering noise.

8.2 Notes on Accuracy

Depth and Signal Strength measurements rely on a strong signal being received by the Scout. Remember that the Scout is used above ground to sense electromagnetic fields emitted from underground lines (electrical conductors like metal wires and pipes) or sondes (actively transmitting beacons). When the fields are simple and undistorted, then the sensed fields are representative of the buried object.

If those fields are distorted and there are multiple interacting fields, it will cause the Scout to locate inaccurately. Locating is not an exact science. It does require the operator to use judgement and look for all the information available beyond what the instrument readings may be. The Scout will give the user more information but it is up to the operator to interpret that information correctly. No locator manufacturer will claim that an operator should follow the information from their instrument exclusively. Conditions when locating accuracy must be questioned:

- **When other lines or utilities are present.** "Bleed over" may produce distorted fields and illuminate lines unintentionally. Use lower frequencies when possible and eliminate all connections between the two lines.



- **When using the transmitter inductively.** This gives the line a weak signal. Use a direct connection whenever possible.
- **When T's or splits are present in the line.** Can cause distortions in the signal.
- **When signal strength is low.** A strong signal is necessary for accurate locating.
- **When soil conditions vary.** Extremes in moisture, either too dry or overly saturated, may affect measurements. For example ground saturated with salty water, that might be found by the coasts, will shield the signal severely and be very difficult to locate in.

9. Transportation and Storage

Before transporting make sure that the unit is turned off to preserve battery power.

When transporting make sure that the unit is secure and does not bounce around or gets bumped by loose equipment.

The Scout should be stored in a cool dry place.

If storing the Scout for an extended period of time, the batteries should be removed.

10. Installing/Using Accessories

The Scout also comes with markers that can be used to mark Pole or sonde locations above ground. There are two (2) red markers to mark the poles and one (1) yellow marker to mark the sonde.

If further assistance is needed, please contact your dealer or a RIDGID representative.

11. Maintenance and Cleaning

⚠ WARNING

1. Keep the Scout clean with a damp cloth and some mild detergent. Do not immerse in water.
2. When cleaning, do not use scraping tools or abrasives as they may permanently scratch the display. NEVER USE SOLVENTS to clean any part of the system. Substances like acetone and other harsh chemicals can cause cracking of the case.

12. Locating Faulty Components

For troubleshooting suggestions, please refer to the Trouble Shooting Guide at the end of the manual. If necessary, contact Ridge Tool or your dealer for more information and help.

14. Trouble Shooting Guide

PROBLEM	PROBABLE FAULT LOCATION
Scout locks up during use.	Turn the unit off, then back on. Remove the batteries if the unit will not turn off.
While tracing, lines are "jumping" all over the screen in micro map.	This indicates that the Scout is not picking up the signal or there is interference.
	Make sure that the transmitter is well connected and grounded. Point the Scout at either lead to be sure that you have a complete circuit.
	Try a higher frequency.
	Try to determine the source of any noise and eliminate it.
While locating a sonde, lines are "jumping" all over the screen.	Check the batteries in the sonde to see if they are working.
	Verify signal by placing lower antenna close to sonde. Note – Sondes have difficulty emitting signals through cast iron and ductile iron lines.
Distance between sonde and either Pole is not equal.	Sonde may be tilted or there may be a cast iron to plastic transition.
Unit acts erratic, won't power down.	Batteries may be low. Replace with fresh batteries and turn on.
Display appears completely dark, or completely light when it is turned on.	Try powering the unit off and then back on.
	Adjust the LCD screen contrast.
There is no sound.	Adjust the sound level in the sound menu.
Scout will not pick up the signal.	Check if the correct mode and frequency is set.
Scout will not turn on.	Check orientation of batteries. Check if the batteries are charged. Check to see that the battery contacts are OK. Unit may have blown a fuse (factory service is required).

13. Service and Repair

⚠ WARNING

Tool should be taken to a RIDGID Independent Authorized Service Center.

15. Specifications

Weight w/ batteries.....	1,4 kg
Weight w/o batteries.....	1 kg
Dimensions	
Length.....	28,5 cm
Width.....	11,0 cm
Height.....	56,0 cm
Power Source	
4 C-size batteries, 1.5 V Alkaline (ANSI/NEDA 14 A, IEC LR14) or 1.2 V NiMH or NiCad rechargeable batteries	
Power Rating: 6 V, 550 mA	
Operating Environment	
Temperature.....	20°C to 50°C
Humidity	5% to 95% RH
Storage Temperature.....	-20°C to 60°C
Standard Frequencies	
Sonde.....	512 Hz, 640 Hz, 874 Hz, 33 kHz
Active Line Trace	512 Hz, 8 kHz, 33 kHz
Passive Line Trace	60 Hz, 50 Hz

Default Settings

The default settings for the locator are:
 Depth units = Meter and centimeter
 Volume = 1 (one setting above mute)
 Backlight = Auto

Standard Equipment

- Scout Locator
- Markers and Mast Holder
- 2 Operator's Manuals: US + Europe
- 4 C-cell batteries (Alkaline)
- Video PAL

Optional Equipment

- Additional Pole/sonde Markers
- NaviTrack Transmitter
- Inductive Clamp
- Battery Sonde
- Float

16. Icon Legend

DISPLAY ICONS

- Sonde Frequency
 - Active Trace Frequency
 - Passive (AC) Trace Frequency
 - Sound Level
 - Battery Level
 - Depth
 - Horizontal Angle Indicator
 - Signal Strength
 - Tools Menu
 - LCD Contrast
 - LCD Backlight
- #### KEYPAD ICONS
- Menu Navigation
 - Audio Tone Reset / Menu Item Select
 - Menu Navigation / Forced Depth (3 sec. press)
 - Power ON / OFF Key
 - Menu Key
 - Sonde / Trace / Frequency Mode Key
 - Volume Control Key

DE

NaviTrack Scout Bedienungsanleitung

Übersetzung der Originalbetriebsanleitung



ALLGEMEINE SICHERHEITSINFORMATIONEN

WARNUNG! Alle Anweisungen lesen und verstehen. Nichtbefolgung der nachfolgenden Anweisungen kann zu elektrischem Schlag, Feuer und/oder schweren Verletzungen führen.

**LESEN SIE DIE BEIGEFÜGTEN SICHERHEITSANWEISUNGEN.
BEWAHREN SIE DIESE ANWEISUNGEN AUF!**

Die EG-Konformitätserklärung (890-011-320.10) kann diesem Handbuch auf Wunsch als separates Heft beigelegt werden.

Vorsichtshinweise zu Batterien:

- **Nur Batterien der angegebenen Größe und des angegebenen Typs verwenden. Batterietypen nicht mischen (z.B. keine Alkaline-Batterien zusammen mit wieder aufladbaren Batterien verwenden).** Nicht teilweise entladene und voll aufgeladene Batterien gleichzeitig verwenden (z.B. keine alten und neuen Batterien zusammen verwenden).
- **Batterien nur mit den vom Hersteller empfohlenen Ladegeräten laden.** Bei Verwendung eines ungeeigneten Ladegeräts kann die Batterie überhitzen und platzen.
- Batterien sachgemäß entsorgen. Hohe Temperaturen können dazu führen, dass die Batterie explodiert, daher nicht durch Verbrennen entsorgen. In einigen Ländern existieren Vorschriften bezüglich der Entsorgung von Batterien. Bitte befolgen Sie alle geltenden Vorschriften.

1. Benutzung und Pflege des Scout

- **Geräte nur nach Anweisung benutzen.** Den Scout nur betreiben, wenn eine entsprechende Einweisung durchgeführt und die Bedienungsanleitung gelesen wurde.
- **Die Antennen nicht in Wasser eintauchen.** Trocken lagern. Diese Maßnahmen mindern das Risiko von elektrischen Schlägen und Beschädigungen des Geräts.
- **Auf schadhafte Teil und sonstige Bedingungen achten, die die Funktion des Scout beeinträchtigen könnten.** Bei Schäden muss das Gerät vor Benutzung repariert werden. Viele Unfälle sind auf mangelhaft gewartete Werkzeuge zurückzuführen.
- **Nur das vom Hersteller für den Scout empfohlene Zubehör verwenden.** Zubehör, das für ein Gerät geeignet sein mag, kann bei Benutzung mit einem anderen Gerät zur Gefahr werden.
- **Handgriffe trocken und sauber halten; von Öl und Fett befreien.** Dies erlaubt eine bessere Kontrolle des Instruments.
- **Vor übermäßiger Wärme schützen.** Das Produkt sollte von Hitzequellen, wie Radiatoren, Wärmespeichern, Öfen oder anderen Produkten (einschließlich Verstärkern), die Wärme produzieren, ferngehalten werden.

1.1 Wartung

- **Die Wartung von Diagnoseinstrumenten darf nur von qualifiziertem Reparaturpersonal durchgeführt werden.** Wenn Service- oder Wartungsarbeiten von unqualifiziertem Personal durchgeführt werden, kann es zu Verletzungen kommen.
- **Für sachgemäße Reinigung sorgen.** Vor der Reinigung die Batterie entfernen. Keine Flüssig- oder Aerosolreiniger verwenden. Zum Reinigen ein feuchtes Tuch verwenden.
- **Eine Sicherheitsüberprüfung durchführen.** Bitten Sie nach Abschluss von Service- oder Reparaturarbeiten an diesem Produkt den Servicetechniker, eine Sicherheitsüberprüfung durchzuführen, um sicherzustellen, dass sich das Produkt in einwandfreiem, betriebsbereiten Zustand befindet.
- **Schäden am Produkt, das gewartet werden muss.** Unter folgenden Bedingungen die Batterien entfernen und qualifiziertes Servicepersonal mit der Wartung beauftragen:
 - Flüssigkeit ist ins Produkt gelangt oder Gegenstände sind hineingefallen.
 - Das Produkt arbeitet trotz Befolgung der Bedienungsanleitung nicht normal.
 - Das Produkt ist heruntergefallen oder wurde beschädigt.
 - Das Produkt weist eine deutliche Leistungsveränderung auf.

Bitte geben Sie bei jeder Korrespondenz alle auf dem Typenschild Ihres Gerätes angegebenen Informationen an, einschließlich Modell- und Seriennummer.

1.2 Wichtiger Hinweis

Der Scout ist ein Diagnosegerät, das elektromagnetische Felder ermittelt, die von unterirdischen Objekten ausgehen. Es soll dem Benutzer helfen, diese Objekte aufzufinden, indem es Merkmale der Feldlinien erkennt und auf dem Bildschirm darstellt. Da elektromagnetische Feldlinien verzerrt und gestört werden können, ist es wichtig, die Lage unterirdischer Objekte zu verifizieren, bevor gegraben wird.

Mehrere Versorgungsleitungen können sich unter der Erde im selben Bereich befinden. Befolgen Sie unbedingt die lokalen Richtlinien.

Das Freilegen der Versorgungsleitung ist die einzige Möglichkeit, ihre Existenz, Lage und Tiefe zu verifizieren.

Ridge Tool Co., ihr angegliederte Unternehmen und Zulieferer haften nicht für Verletzungen oder direkte, indirekte oder Folgeschäden, die durch Benutzung des Scout erlitten oder verursacht wurden. Mehrere Versorgungsleitungen können sich unter der Erde im selben Bereich befinden. Befolgen Sie unbedingt die lokalen Richtlinien.

2. Einführung in die Funktion des Scout

Der Scout™ Sonden- und Leitungslokalisierer arbeitet mit multidirektionalen Antennen und moderner Datenverarbeitung, um eine schnelle, genaue und problemlose Lokalisierung von Sonden und unterirdischen Versorgungsleitungen zu ermöglichen.

2.1 Worin bestehen die besonderen Merkmale?

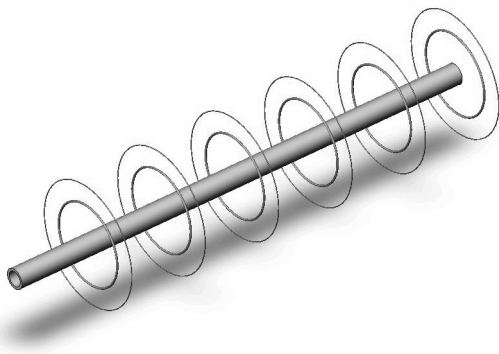
Scouts fortschrittliche Technologie bietet gegenüber herkömmlichen Lokalisierern mehrere einzigartige Vorteile:

- Multidirektionales Antennensystem.
- Mikrokarten-Ansicht.
- Anzeige deutlicher Signalcharakteristika.

2.2 Was tut das Gerät?

Der Scout wird oberirdisch verwendet, um elektromagnetische Felder zu messen, die von unterirdischen oder verborgenen Leitungen (elektrischen Leitern, wie Metallkabeln und -leitungen) oder Sonden (aktiven Sendern) ausgehen. Wenn die Felder einfach und unverzerrt sind, sind die ermittelten Felder repräsentativ für das vergrabene Objekt. Der Scout lokalisiert leitende Objekte, die ein Feld abstrahlen; unterirdische Objekte als solche werden nicht direkt gefunden.

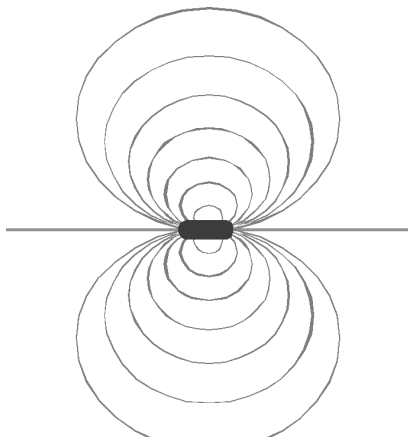
Es gibt zwei Typen von elektrischen Feldern, die von unterirdischen Objekten ausgehen: der erste Typ geht von langen Leitern, wie Strom führenden Kabeln, Schubkabeln von Inspektionskameras oder Leitungen aus. Solche Objekte erzeugen ein langes zylindrisches Feld und man spricht hier oft von der Lokalisierung von Leitungen.



Von einer Strom führenden Leitung abgestrahltes Feld.

(Passive AC-Lokalisierung ist ein Sonderfall, bei dem die Leitung tatsächlich Strom führt.)

Beim zweiten Typ erzeugen Sonden (die auch als Transmitter, Baken oder Aktivmessköpfe bezeichnet werden) ein anders geformtes Feld und der Scout ist so programmiert, dass er diese Art von Feld misst und darstellt. Die komplexere Feldform einer Sonde wird als Dipolfeld bezeichnet und entspricht der Form, die auch von einem Stabmagneten oder von unserem Planeten erzeugt wird.



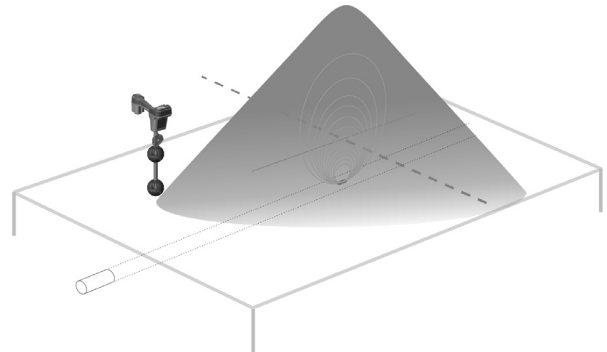
Von einer Sonde abgestrahltes Feld.

Elektromagnetische Felder haben drei (3) wichtige Eigenschaften, nämlich Frequenz, Stärke und Winkel (Richtung). Im Gegensatz zu herkömmlichen Lokalisierern, die die Stärke nur in Richtung der einzelnen Antenne(n) messen können, misst der Scout Signalstärke und Feldwinkel in drei Dimensionen (3D). Diese erweiterte Fähigkeit ermöglicht die Kartendar-

stellung. Der erfahrene Benutzer kann mit diesen zusätzlichen Informationen den Lokalisiervorgang beschleunigen und zur Lösung komplexer Lokalisierungssituationen beitragen. Der gelegentliche oder unerfahrene Benutzer kann dagegen Objekte anhand der Signalstärke problemlos lokalisieren.

Die Regel Nummer 1 beim Lokalisieren mit dem Scout lautet: die Zahl muss möglichst hoch sein! –

Die Maximierung der Signalstärke ist die wesentliche, primäre Suchmethode.



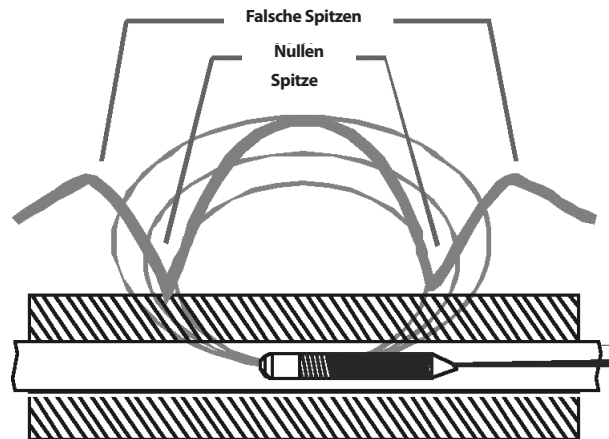
Beispiel, wie der Scout unmittelbar über der Sonde maximiert.

Ob eine Leitung oder eine Sonde lokalisiert wird, die maximale Signalstärke tritt über dem Ziel auf. Die Tiefe wird angezeigt, wenn man sich über dem Ziel befindet.

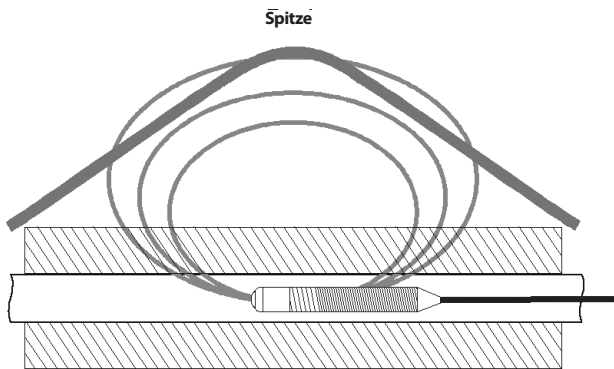
2.3 Welchen Vorteil bieten die Multidirektional-Antennen des Scout?

Die Betrachtung des gesamten Signals mit multidirektionalen Antennen bietet eindeutige Vorteile:

1. Das Signal wird immer stärker, je mehr sich der Benutzer dem Ziel nähert.
2. Eliminiert Nullen und Störspitzen. Das Signal eines herkömmlichen Lokalisierers hat eine Spitze, dann eine Null, gefolgt von einer kleineren Spitze. Dies kann den Bediener verwirren, insbesondere, wenn er eine kleinere Spitze als Ziel interpretiert (man spricht dabei von Störspitzen oder falschen Spitzen). Der Scout sieht nur eine Spitze, anhand derer er den Benutzer zum Ziel führt.



Sondensignal, wie von einem herkömmlichen Lokalisierer "gesehen". Hauptspitze in der Mitte und zwei falsche Spitzen außerhalb der beiden Nullen.



Sondensignal, wie vom Scout "gesehen". Nur eine Spitze, keine Nullen.

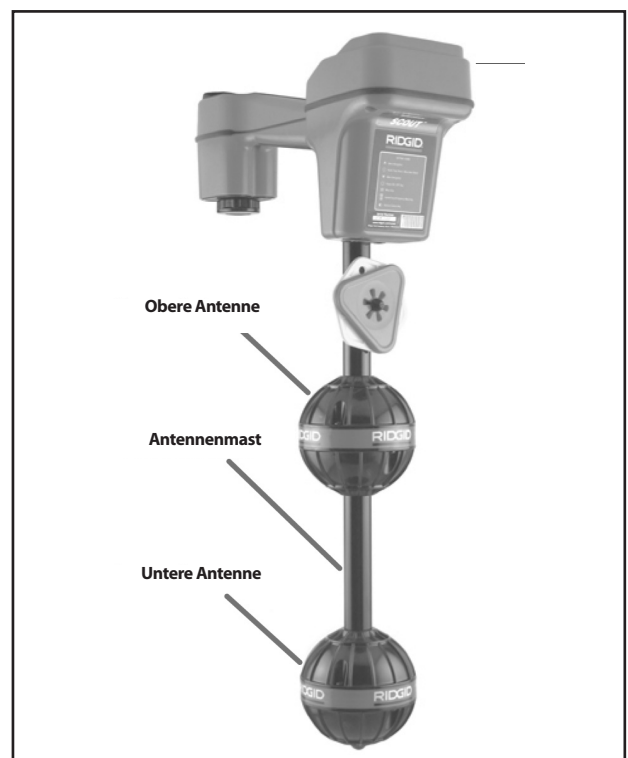
3. Wie das Gerät gehalten wird, hat keinerlei Einfluss auf die Signalstärke. Der Benutzer kann sich aus jeder Richtung nähern und muss die Lage der Leitung oder des Kabels nicht kennen.
4. Zusätzliche Hilfsmittel zur Identifizierung und zur Lösung "schwieriger" Lokaliseraufgaben umfassen eine grafische Mikrokarte und einen Winkelanzeiger, der bei der Interpretation von Signalcharakteristika hilft.

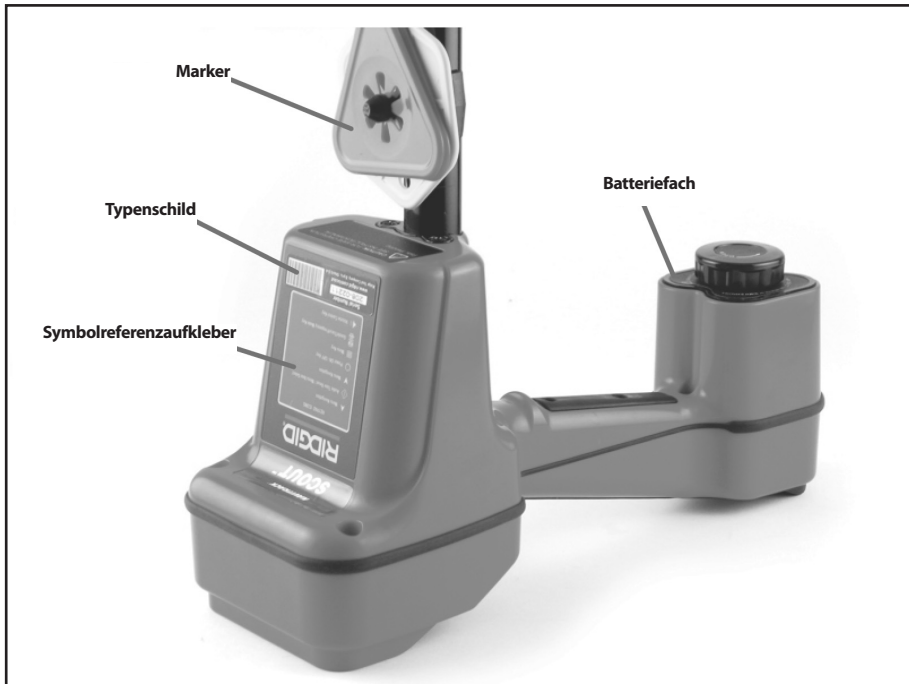
2.4 Worin besteht der Vorteil der Mikrokarte?

Die Karte stellt die Signalcharakteristika grafisch dar. Eine Ansicht des unterirdischen Signals aus der Vogelperspektive erscheint auf dem Bildschirm. Diese Ansicht dient als Hilfsmittel beim Auffinden unterirdischer Leitungen und kann verwendet werden, um Sonden leichter zu lokalisieren. Sie kann außerdem bei komplexen Lokaliseraufgaben zusätzliche Informationen liefern.

Wenn man den Scout über den Boden bewegt, erfasst er das Signal, das vom unterirdischen Objekt ausgeht. Der Benutzer kann auf dem Bildschirm Darstellungen des Signals sehen und sie markieren. Herkömmliche Lokalisierer können das unterirdische Signal nicht darstellen, da ihre Antennen dessen vollständige Form nicht erfassen.

3. Komponenten des Scout

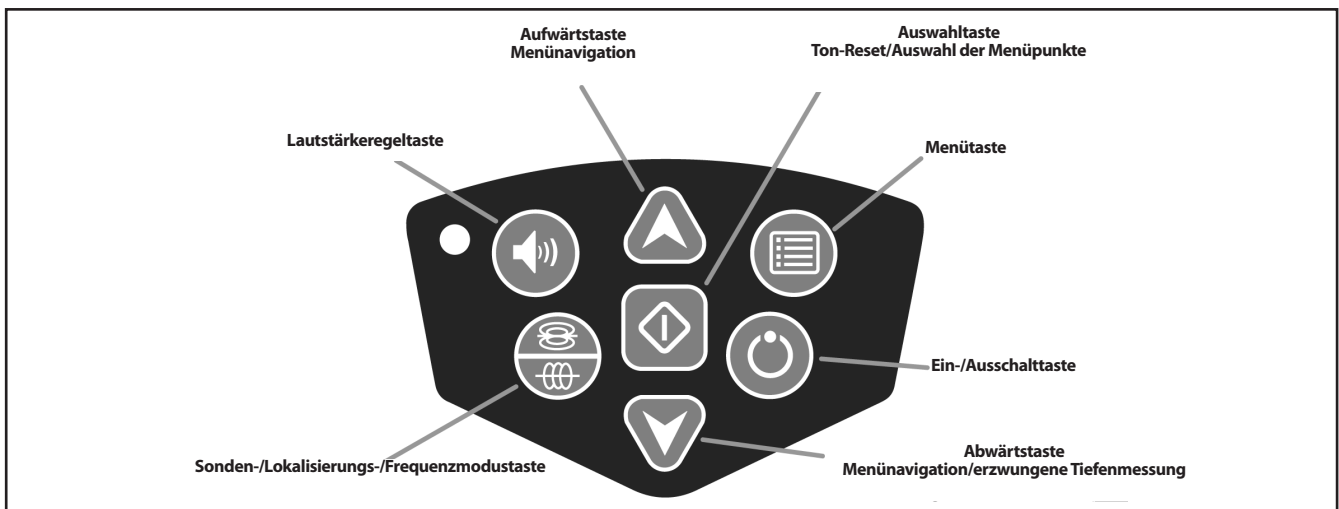




Anzeigebildschirm



Tastatur



Lautstärkeregelstaste – öffnet und schließt das Lautstärkemenü.

Sonden-/Lokalisierungs-/Frequenzmodustaste – zum Wechseln der aktiven Frequenzen und Funktionen.

Aufwärtstaste – Durchgehen der Menüpunkte nach oben.

Auswahlstaste – Auswahl der hervorgehobenen Option, wenn ein Menü geöffnet ist.

Abwärtstaste – Durchgehen der Menüpunkte nach unten.

Menütaste – öffnet/schließt das Menü.

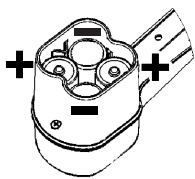
Ein-/Ausschaltstaste – schaltet den Scout ein oder aus.

4. Der Einstieg

4.1 Einlegen/Wechseln der Batterien

Zum Einlegen der Batterien in den Scout das Gerät umdrehen, sodass das Batteriefach zugänglich ist. Den Knopf auf dem Batteriedeckel gegen den Uhrzeigersinn drehen. Den Knopf gerade nach oben ziehen, um den Deckel zu entfernen. Die Batterien einsetzen, wie auf dem Schild im Fach gezeigt und vergewissern, dass sie vollständigen Kontakt haben.

Den Deckel ins Gehäuse einsetzen, und den Knopf unter leichtem Druck im Uhrzeigersinn drehen, um den Deckel zu verschließen. Der Batteriedeckel kann in beiden Richtungen eingesetzt werden.



Nach dem Einschalten überprüft der Scout einige Sekunden lang die Batterien. Bis dies abgeschlossen ist, erscheint die Batteriestandsanzeige "leer".

⚠️ WARNUNG

Keine Fremdkörper ins Batteriefach gelangen lassen. Fremdkörper im Batteriefach können zum Kurzschluss der Batteriekontakte führen, wodurch die Batterien sehr schnell entladen werden können, wobei es zum Austreten von Elektrolyt oder zu einem Brand kommen kann.

4.2 Betriebsdauer

Die normale Betriebsdauer des Scout beträgt bei Verwendung von Alkaline-Batterien zwischen 12 und 24 Stunden, wobei Faktoren wie Lautstärke und Häufigkeit des Einschaltens der Hintergrundbeleuchtung eine Rolle spielen. Ein weiterer Faktor, der Einfluss auf die Betriebsdauer hat, ist die chemische Zusammensetzung der Batterie (viele neue Hochleistungsbatterien, wie die "Duracell® ULTRA" halten beim Einsatz unter anspruchsvollen Bedingungen 10% - 20% länger als herkömmliche Alkaline-Batterien). Der Betrieb bei niedrigen Temperaturen reduziert die Batterielebensdauer ebenfalls.

Um die Batterie zu erhalten, schaltet sich der Scout automatisch ab, wenn 1 Stunde lang keine Taste betätigt wird. Zur Fortsetzung des Betriebs schalten Sie das Gerät einfach wieder ein.

4.3 Ein- und Ausschalten

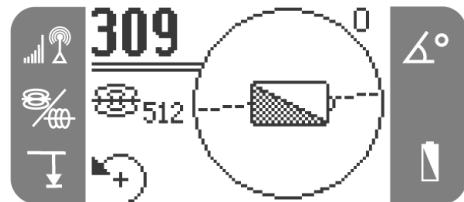
Das Gerät wird durch Drücken der Power-Taste auf der Tastatur eingeschaltet. Das RIDGID® Logo erscheint und die Versionsnummer der Software wird in der rechten unteren Ecke angezeigt.



Das Gerät wird ausgeschaltet, indem man die Power-Taste auf der Tastatur drückt und loslässt. Beachten Sie, dass es beim Ein-/Ausschalten der Einheit zu einer Verzögerung von einigen Sekunden kommt.

4.4 Warnung bei schwacher Batterie

Wenn die Batterie nahezu entleert ist, erscheint ein Batteriesymbol im Kartenbereich auf dem Bildschirm. Dies zeigt an, dass die Batterien gewechselt werden müssen und dass sich das Gerät demnächst abschaltet.



Kurz vor der endgültigen Abschaltung erfolgt eine Herunterfahr-Sequenz, die nicht unterbrochen werden kann.

In einigen Fällen kann bei Akkus die Spannung so rasch abfallen, dass das Gerät einfach abschaltet. Das Gerät schaltet ab und startet wieder neu. Wechseln Sie einfach die Batterien und schalten Sie das Gerät wieder ein.

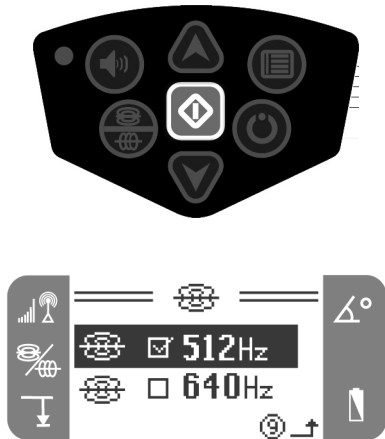
5. Setup

Sobald der Scout läuft, besteht der nächste Schritt darin, die Frequenzen einzustellen, die dem zu lokalisierenden Objekt entsprechen. Die Frequenz wird durch Auswahl aus einer Liste im Menü aktiviert.

1. Die Menütaste drücken, die Auswahl hervorheben, dann zur Aktivierung die Auswahlstaste drücken:



2. Mit den Pfeiltasten eine Frequenz hervorheben, die der Sonde oder des Leitungstransmitters entspricht, dann die Auswahlstaste drücken, um das entsprechende Feld abzuhaken. Die Menüauswahl dient als Referenz. Drücken Sie die Menütaste, um zum Hauptbildschirm zurückzukehren.



⚠ WARNUNG

Vergewissern Sie sich, dass die gewählte Frequenz sich für den vorgesehenen Zweck eignet. 512 und 33 stehen als Frequenz zum Lokalisieren von Sonden UND Leitungen zur Verfügung. Verwendet man eine Sondenfrequenz zum Lokalisieren von Leitungen oder umgekehrt, kann dies dazu führen, dass der Scout falsche Tiefeninformationen anzeigt.

3. Drücken Sie nun die Sonden-/Lokalisier-/Frequenzmodustaste, um durch die aktivierten Frequenzen und Betriebsarten zu wechseln. Anhand der Symbole auf dem Bildschirm erkennen Sie, in welcher Betriebsart der Scout arbeitet.



4. Wenn der Kontrast für Tiefe, automatische Hintergrundbeleuchtung oder LCD reguliert werden muss, heben Sie die Auswahl im Abschnitt Tools des Menüs hervor und nehmen Sie die Änderungen mittels der Auswahlstaste vor.



5.1 Menüauswahl

Frequenzen im Sondenmodus		512 Hz 640 Hz 874 Hz 33 Hz
Frequenzen im Leitungslokalisierungsmodus		50 Hz (Passiv) 60 Hz (Passiv) 512 Hz 8 kHz
Tool-Menü		Fuß/Meter Automatische Hintergrundbeleuchtung LCD-Kontrast

5.2 Sounds des Scout

Die akustische Anzeige steht in direkter Beziehung zur Erhöhung oder Verringerung der Signalstärke. Der Ton nimmt an Höhe und Lautstärke zu, wenn die Signalstärke steigt oder ab, wenn sie zurückgeht. Wenn die Signalstärke zunimmt, nehmen auch Höhe und Lautstärke des Tons zu, um den Bediener zum Punkt mit der höchsten Signalstärke zu führen. Wenn die Signalstärke abnimmt, kehrt der Ton wieder zu einem Grundtremolo zurück, als läge kein Signal vor.

Der Scout hat eine automatische Verstärkungsregelung. Wenn die Verstärkungsregelung um einen Schritt erhöht oder verringert wird, wird der Ton auf die höhere oder niedrigere Intensität eingestellt. Die Lautstärke wird durch Drücken der Sound-Taste eingestellt.



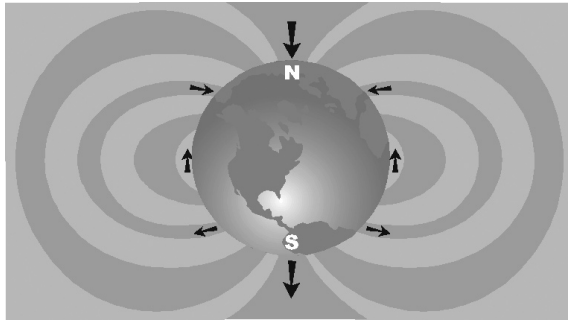
Die Lautstärke ändert sich mit jedem Drücken der Sound-Taste, außerdem kann die Lautstärke auch mit den Pfeiltasten eingestellt werden. Drücken Sie die Auswahlstaste, um diesen Bildschirm zu verlassen.



HINWEIS Drückt man die Auswahlstaste bei normalem Betrieb, wird die Tonhöhe auf ein mittleres Maß eingestellt.

5.3 Überblick - Sonden und den Scout verstehen

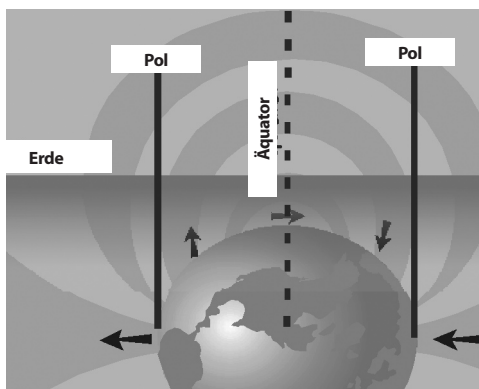
Sonden (auch als Transmitter, Baken oder Aktivmessköpfe bezeichnet) strahlen ein elektromagnetisches Feld ab, das dem Magnetfeld, das von der Erde ausgeht, sehr ähnlich ist.



Tatsächlich würde, wenn man die Erde auf die Seite drehte, ihr Magnetfeld dem einer Sonde sehr ähneln.

Als Lokalisierer kann der Scout die Form (Winkel) der Feldlinien einer Sonde messen und deutliche Charakteristika dieser Linien identifizieren. Drei wichtige Merkmale sind die beiden **POLE** und der **ÄQUATOR**. An den Polen beträgt der

Winkel des Signals 90 Grad (vertikal). Am Äquator ist er gleich 0 (horizontal). Die Pole sind deutliche Punkte im Raum, während der Äquator sich vollständig um die Sonde wickelt. Da diese deutlichen Merkmale konstant sind, können sie verwendet werden, um die Lage der Sonde exakt zu ermitteln.



Pole treten in der Regel dort auf, wo herkömmliche Lokalisierer "Nullen" feststellen, die toten Punkte, die auftreten, wenn das Signal ihre Antennen vertikal passiert. Der Unterschied besteht darin, dass Scout die Pole ("Nullen") "sehen" und zeigen kann, **auch wenn Sie sich nicht direkt darüber befinden und unabhängig davon, wie die Antennen des Scout gegenüber dem Signal ausgerichtet sind.**

Dies ist ein Grund dafür, dass die Lokalisierung mit dem Scout so viel leichter ist, als mit herkömmlichen Lokalisierern.

Die Sonde befindet sich an dem Punkt, an dem der Äquator direkt zwischen den beiden Polen verläuft.

5.4 Lokalisieren der Sonde

Der Scout kann zum Lokalisieren des Signals einer Sonde (Transmitter) in einer Leitung verwendet werden, sodass sich seine Lage oberirdisch identifizieren lässt. Sonden können mit einer Kameraschubstange oder einem -schubkabel an Problemstellen in der Leitung platziert werden. Sie können auch in die Leitung gespült werden.

Im folgenden Text wird davon ausgegangen, dass die Sonde sich in einer waagrecht verlaufenden Leitung befindet, dass der Boden annähernd eben ist und dass der Scout so gehalten wird, dass der Antennenmast vertikal steht.

WICHTIG Die Signalstärke ist der entscheidende Faktor für die Ermittlung der Position der Sonde. Um eine exakte Positionsbestimmung zu gewährleisten, MÜSSEN Sie darauf achten, dass die Signalstärke maximiert wird, bevor Sie einen Bereich zum Ausschachten markieren.

5.4.1 Gehen Sie beim Lokalisieren einer Sonde auf folgende Weise vor:

- **Bevor** Sie die Sonde in die Leitung einführen, überprüfen Sie mit dem Scout, ob sie funktioniert und ob der Scout ihr Signal empfängt.
- Sobald die Sonde in Position ist und sendet, aktivieren Sie die Sonde und passen Sie den Scout an diese Frequenz an. Vergewissern Sie sich, dass das Symbol für den Sondenmodus erscheint

⚠️ WARNUNG

Vergewissern Sie sich, dass die gewählte Frequenz sich für den vorgesehenen Zweck eignet. 512 und 33 stehen als Frequenz zum Lokalisieren von Sonden UND Leitungen zur Verfügung. Verwendet man eine Sondenfrequenz zum Lokalisieren von Leitungen oder umgekehrt, kann dies dazu führen, dass der Scout falsche Tiefeninformationen anzeigt.

- Gehen Sie zur vermuteten Sondenposition. Ist die Richtung der Leitung unbekannt, schieben Sie die Sonde nicht ganz so weit in die Leitung (~5 m vom Zugangspunkt entfernt ist ein guter Ausgangspunkt).

5.4.2 Nun lokalisieren Sie die Sonde mit einer der folgenden Methoden:

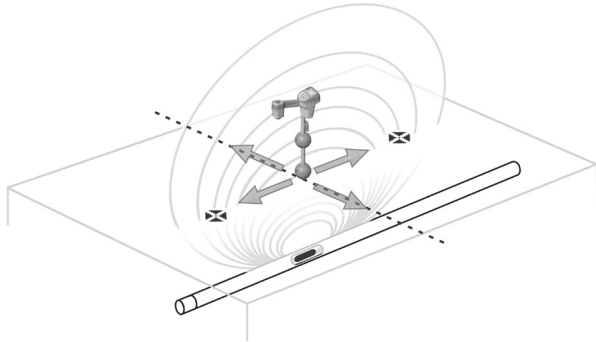
Methode 1 – Maximieren der Signalstärke

1. Halten Sie den Scout so, dass der Mast von Ihrem Körper weg weist. Schwenken Sie den Mast in der vermuteten Richtung der Sonde, während Sie die Signalstärke beobachten und auf den Ton achten. Das Signal ist am höchsten, wenn der Mast auf die Sonde weist.
2. Senken Sie den Scout in seine normale Betriebsposition (Mast vertikal) und gehen Sie in Richtung der Sonde. Während Sie sich nähern, nimmt die Signalstärke zu, Lautstärke und Höhe des Tons steigen an. Verwenden Sie Signalstärke und Ton, um **das Signal zu maximieren.**



3. Sobald das Maximum gefunden ist, platzieren Sie den Scout dicht am Boden über der Spitze und bewegen Sie ihn in alle Richtungen, um sicherzustellen, dass das Signal abfällt.

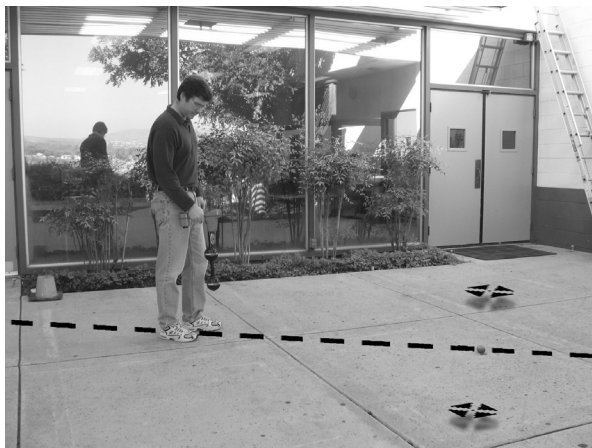
HINWEIS Das höchste Signal zählt, die Äquatorlinie kann sich an einer anderen Position befinden als das höchste Signal, wenn die Sonde geneigt wird (siehe Abschnitt geneigte Sonde).



Methode 2 – Dem Äquator folgen – Dann maximieren

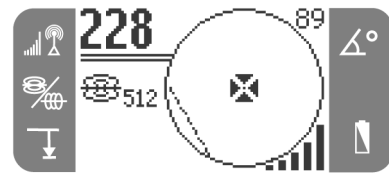
1. Funktioniert am besten in offenen Bereichen ohne Hindernisse, wenn **davon ausgegangen werden kann, dass die Sonde sich in einer horizontalen Position befindet**. Schwenken Sie den Mast und gehen Sie in Richtung der maximalen Signalstärke, wie in Methode 1.
2. Wenn der Scout eine **durchgehende** Äquatorlinie zeigt, die auf dem Bildschirm zentriert ist, folgen Sie dieser Linie in Richtung der zunehmenden Signalstärke. Wenn die maximale Signalstärke erreicht ist, bewegen Sie den Scout am Äquator entlang **und in alle** Richtungen, um sicherzustellen, dass sie sich über der Spitze befindet.

Wenn die Sonde geneigt ist, müssen Sie unbedingt das maximale Signal finden, da dies die Stelle ist, an der sich die Sonde befindet.



Die Position verifizieren.

1. Bewegen Sie am Punkt der maximalen Signalstärke und bei vertikalem Mast den Scout senkrecht zur Äquatorlinie auf dem Bildschirm. Wenn das Polsymbol erscheint, bewegen Sie den Scout, bis das Polsymbol über dem Fadenkreuz zentriert ist, während sich die untere Antennenkugel auf dem Boden befindet. Legen Sie einen der dreieckigen, orangefarbenen Marker an dieser Stelle auf den Boden.



Ansicht, wenn der Scout sich über dem Pol befindet.

2. Bewegen Sie den Scout zurück über die Äquatorlinie zum anderen Pol. Zentrieren Sie das Fadenkreuz auf dem zweiten Polsymbol und markieren Sie seine Position, wie zuvor.
3. Bewegen Sie sich zurück zum Punkt mit der **maximalen Signalstärke**. Markieren Sie diesen Punkt auf dem Boden mit dem gelben sechseckigen Marker. Bewegen Sie die untere Antennenkugel langsam in alle Richtungen vom gelben Marker fort, während Sie die Signalstärkeanzeige beobachten. Die Signalstärke sollte unmittelbar über der Sonde am höchsten sein.
4. Prüfen Sie, ob alle drei Marker ausgerichtet sind und der gelbe, sechseckige Marker sich ungefähr in der Mitte zwischen den Pol-Markern befindet.

Liegt der gelbe Marker nicht in der Mitte, siehe Abschnitt über geneigte Sonden.

WICHTIG Dass Sie sich über dem Äquator befinden, heißt NICHT, dass Sie sich über der Sonde befinden! Denken Sie daran, dass die Signalstärke der wesentliche Faktor beim Auffinden der Sonde ist. Sie müssen sich am Punkt mit der höchsten Signalstärke befinden. Höchste Genauigkeit erreichen Sie mit der Libelle. Der Mast MUSS beim Markieren von Polen und Äquator senkrecht stehen, andernfalls werden ihre Positionen falsch ermittelt!

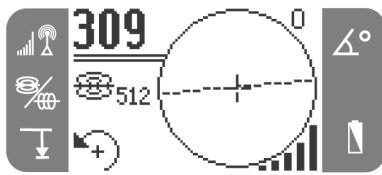
5.5 Messen der Tiefe

Der Scout misst die Tiefe, indem er die Stärke des Signals an der unteren Antenne mit der des Signals an der oberen Antenne vergleicht.

Die Tiefe wird gemessen, wenn die untere Antenne den Boden unmittelbar über der Signalquelle berührt.

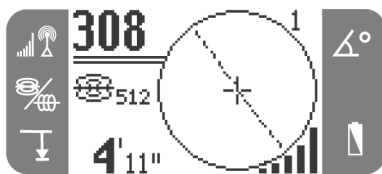
1. Zum Messen der Tiefe den Lokalisierer auf dem Boden, unmittelbar über der Sonde oder Leitung platzieren. Vergewissern Sie sich, dass die Winkelanzeige maximal 5 Grad beträgt. Dann das Gerät langsam in Richtung des Pfeils unten links auf dem Bildschirm drehen, bis die Tiefe angezeigt wird.

Die Libelle ist hilfreich beim Messen der Tiefe, um sicherzustellen, dass der Antennenmast senkrecht steht.



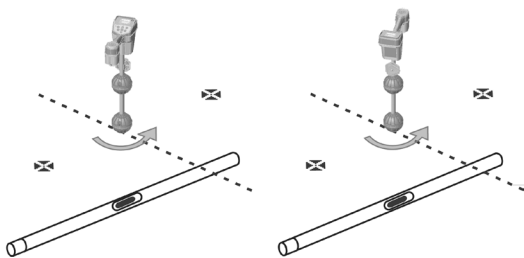
Um das Signal zu maximieren und eine genauere Tiefenanzeige zu erreichen, muss der Scout gedreht werden, um die Antenne am Signal auszurichten.

- Die Tiefe wird in der linken unteren Ecke angezeigt.



- Erzwungene Tiefenmessung** - Wenn der Winkelanzeiger mehr als 5 Grad anzeigt, führt der Scout keine Tiefenmessung durch. Drücken Sie die Abwärts-Pfeiltaste und halten Sie sie fest. Hierdurch wird die Messung der Tiefe erzwungen, sofern die Tiefe gemessen werden kann (siehe folgenden Abschnitt über geneigte Sonden).

Bei der Ermittlung der Tiefe immer eine Messung vornehmen, dann den Scout um 180 Grad (Halbkreis) drehen und eine weitere Tiefenmessung vornehmen. Vergewissern Sie sich, dass die untere Kugel in der gleichen Position auf dem Boden bleibt und der Mast senkrecht steht. Wenn die Tiefenmessungen nicht innerhalb eines Bereichs von etwa 10% zu einander liegen, liegt Verzerrung vor und die Tiefenmessung sollte mit einem Fragezeichen versehen werden.



5.6 Praktische Tipps zum Lokalisieren einer Sonde

- Nutzen Sie nach Möglichkeit den Ton, um den Scout zur maximalen Signalstärke zu führen.
- Wenn beim Überqueren des Äquators das Signal nicht maximiert wird, folgen Sie dem Äquator zur höchsten Signalstärke. Dass man den Äquator der Sonde gefunden hat (die gestrichelte Linie auf dem Bildschirm), bedeutet NICHT, dass man die Sonde gefunden hat. Der Punkt der maximalen Signalstärke muss ebenfalls gefunden werden. Wenn die Sonde stark geneigt ist, liegt der Äquator NICHT unmittelbar über der Sonde und der Abstand von der Sonde zu den beiden Polen ist nicht gleich. Wenn die Sonde geneigt ist, maximieren Sie das Signal.
- Verschaffen Sie sich grundsätzlich Gewissheit über den Punkt der maximalen Signalstärke. Verifizieren Sie, was die Karte anzeigt, es sei denn, es ist bekannt, dass alle erforderlichen Bedingungen erfüllt sind. Die Karte setzt folgende Bedingungen voraus:

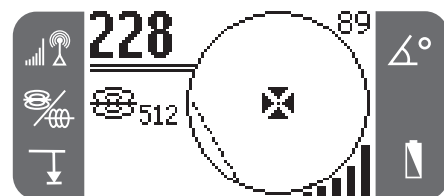
- Der Boden ist eben.
- Die Sonde liegt waagrecht.
- Der Scout Lokalisierer befindet sich über Bodenniveau.
- Der Scout Lokalisierer wird annähernd senkrecht gehalten, der Antennenmast weist gerade nach unten.

Wenn diese Bedingungen nicht erfüllt sind, achten Sie genau auf die Maximierung der Signalstärke. Wenn die oben genannten Bedingungen erfüllt sind und der Scout sich innerhalb etwa zweier "Tiefen" der Signalquelle befindet, ist die Karte im Allgemeinen hilfreich und exakt. Beachten Sie dies bei der Benutzung der Karte, wenn Ziel oder Signalquelle sich in sehr geringer Tiefe befinden. Wenn nur die Karte verwendet wird, kann der nutzbare Suchbereich klein sein, wenn die Sonde sich in extrem geringer Tiefe befindet.

5.7 Geneigte Sonden

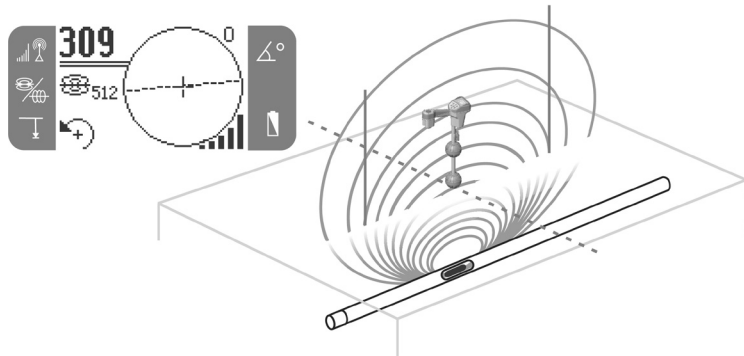
Wenn die Sonde geneigt ist, bewegt sich ein Pol näher an die Sonde und der andere weiter weg, sodass die Lage der Sonde sich nicht mehr in der Mitte zwischen den beiden Polen befindet. Die Signalstärke des näher gelegenen Pols wird viel höher als die des weiter entfernten Pols. Im Extremfall einer Neigung der Sonde in die Senkrechte bewegt sich ein Pol an einen Punkt direkt über der Sonde und dieser Pol entspricht auch dem Punkt mit der maximalen Signalstärke. Der andere Pol wird nicht erkannt. Daher kann die Sonde, auch wenn sie sich in vertikaler Lage befindet, etwa, wenn sie in einen Riss in der Leitung oder in eine unterirdische Zisterne fällt, lokalisiert werden.

Auf dem Bildschirm zu sehen ist dann ein Pol mit maximaler Signalstärke, wenn die Sonde sich in vertikaler Lage befindet.

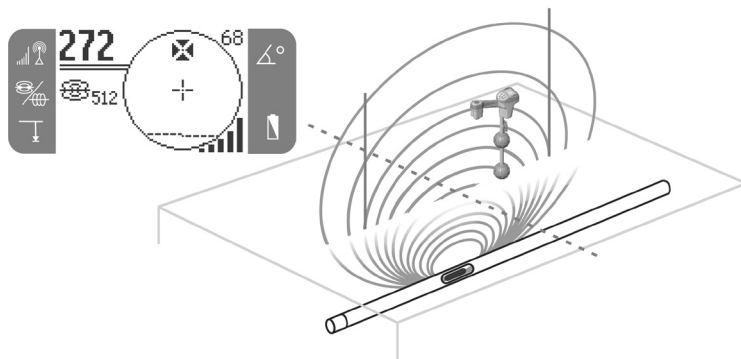


Die multidirektionalen Antennen erlauben die Messung der Tiefe, auch wenn die Sonde geneigt ist. Unter diesen Umständen muss die Tiefe mittels der Zwangstiefenmessung ermittelt werden (siehe Tiefenmessung).

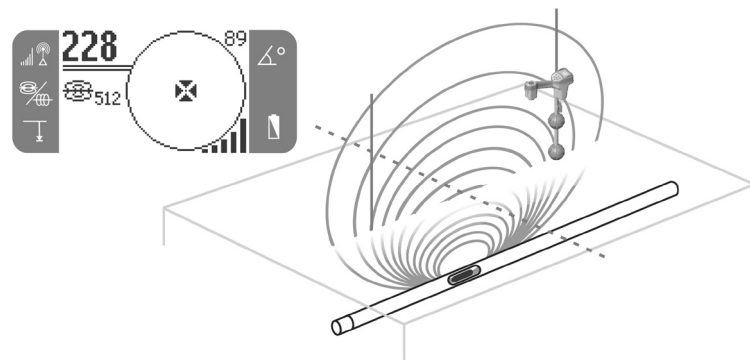
Mikrokarte - Beispiele – Sondenmodus



Scout auf dem Äquator



Scout verlässt den Äquator und nähert sich dem Pol



Scout auf dem Pol

6. Lokalisieren einer Leitung mit dem Scout

Der Scout kann auch zum Lokalisieren eines Rohres oder einer Leitung verwendet werden, sodass der Boden darüber markiert werden kann. Dabei wird die Lage der Leitung identifiziert, sodass sie bei Erdarbeiten umgangen oder zwecks Reparatur oder Austausch freigelegt werden kann. Der Scout kann Strom führende Leitungen mit einer Reihe von Frequenzen lokalisieren oder er kann passiv eingesetzt werden, um alle langen Leiter zu lokalisieren, die Signale befördern.

Unterirdische Leitungen werden mittels eines Leitungstransmitters mit einem Signal versehen. Dieses aktive Signal wird dann mittels eines Empfängers, wie dem Scout, lokalisiert.

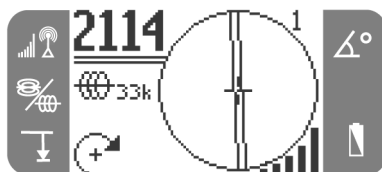
1. Bringen Sie den Leitungstransmitter entsprechend den Anweisungen des Herstellers an der Leitung an.

“Transmitter“ ist eine Gattungsbezeichnung für alle Gegenstände, die ein lokalisierbares Signal erzeugen. Sie dient zur Beschreibung einer Sonde, sowie eines Gerätes, das verwendet wird, um ein Kabel oder eine Leitung mit Strom zu versorgen.

2. Die im Transmitter verwendete Frequenz an die des Scout anpassen. Vergewissern Sie sich, dass das Symbol für Leitungslokalisierung ~ erscheint. Drücken Sie die Hauptmenütaste, um zum Lokalisierbildschirm zurückzukehren.



3. Bei Einleitung des Lokalisierungsvorgangs wird empfohlen, zunächst die Signalstärke zu beobachten, um festzustellen, ob sie zurückgeht, wenn der Scout weggezogen wird. Den Mast unter Verwendung des Induktivmodus auf die Leitung oder den Transmitter selbst richten. Über der Leitung sollte eine Spitze festzustellen sein, auf den Seiten sollte das Signal abfallen. Wenn die Signalstärke und die Leitungen auf dem Bildschirm NICHT übereinstimmen, kann das Signal verzerrt sein.
4. Beim Lokalisieren wird der Verlauf der Leitung oder des Kabels durch 2 durchgehende Linien auf dem Bildschirm angezeigt. Wenn die Linien in der Mitte bleiben, lässt dies darauf schließen, dass der Scout die unterirdische Leitung lokalisiert hat. Wenn die Linie nach links oder rechts auswandert, bewegen Sie den Scout, bis die Linie wieder in der Mitte verläuft. Das von einer Leitung ausgehende Signal ist unmittelbar über dieser Leitung am stärksten. Ist dies nicht der Fall, liegt eine Verzerrung vor.



HINWEIS Bei Verwendung einer Leitungs-Lokalisierungsfrequenz erscheinen zwei Linien auf dem Bildschirm. Bei Verwendung einer Sondenfrequenz ist der Äquator eine einzelne Linie.

ACHTUNG Achten Sie sorgfältig auf Signalinterferenzen, die zu ungenauen Messungen führen können. Tiefenmessungen sollten bei der Leitungslokalisierung nur als Schätzung dienen, die tatsächliche Tiefe kann erst durch freilegen der Leitung verifiziert werden.

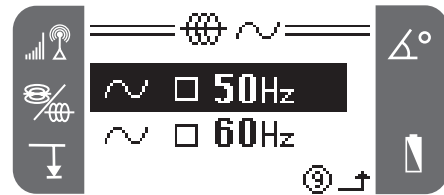
5. Bei Einleitung des Lokalisierungsvorgangs wird empfohlen, zunächst die Signalstärke zu beobachten, um festzustellen, ob sie zurückgeht, wenn der Scout weggezogen wird. Den Mast unter Verwendung des Induktivmodus auf die Leitung oder den Transmitter selbst richten. Über der Leitung sollte eine Spitze festzustellen sein, auf den Seiten sollte das Signal abfallen. Wenn die Signalstärke und die Leitungen auf dem Bildschirm NICHT übereinstimmen, kann das Signal verzerrt sein.

6.1 Lokalisieren einer passiven Wechselstromleitung

Im Passivmodus erkennt der Scout Wechselstromfelder. Unterirdische Stromleitungen senden normalerweise nur ein messbares Signal, wenn Strom durch die Kabel fließt. Zum Beispiel lassen sich abgeschaltete Straßenlaternen nur schwer passiv lokalisieren.

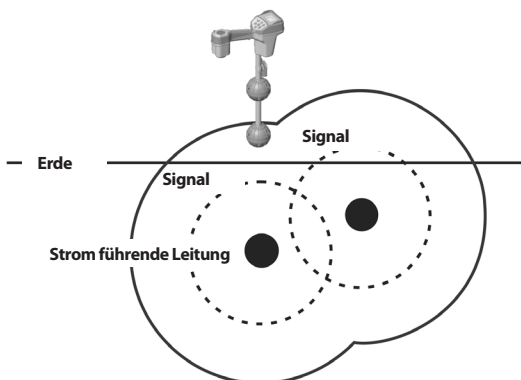
1. Wählen Sie mit dem Symbol für passive Leitungslokalisierung ~ eine Frequenz für die passive Wechselstromlokalisierung aus.

2. Der Scout bietet zwei (2) Standardfrequenzen für die Wechselstromlokalisierung. Es handelt sich dabei um 50 Hz und 60 Hz.

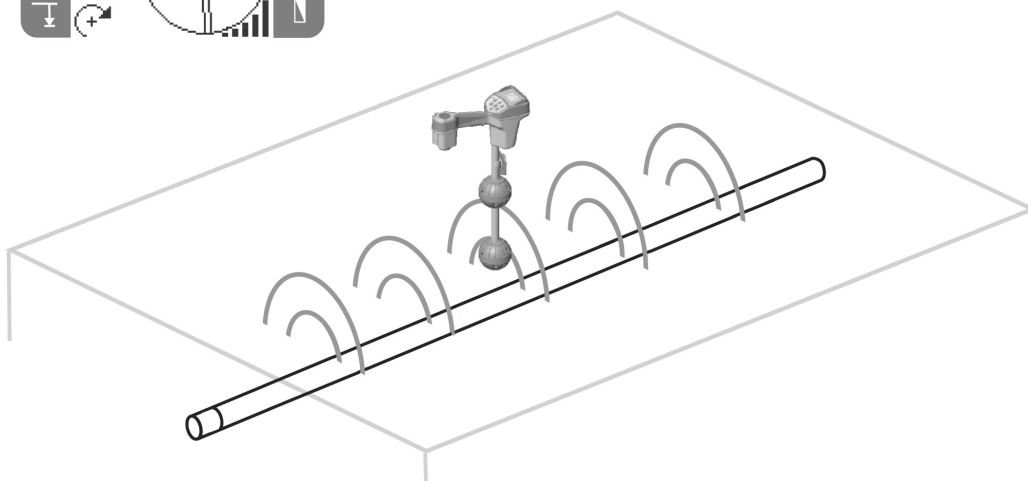
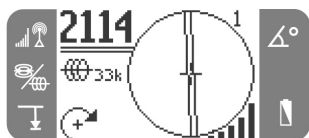


6.2 Praktische Tipps für die Lokalisierung von Leitungen

- **Wenn die Linien auf der Karte nicht zentriert sind, die Signalstärke jedoch maximiert ist, liegt Verzerrung vor!**
 - a. Versuchen Sie, statt der verwendeten Frequenz eine niedrigere zu wählen.
 - b. Verändern Sie die Position zur Leitung, die lokalisiert werden soll.
 - c. Vergewissern Sie sich, dass die Leitung nicht mit einer anderen Versorgungsleitung verbunden ist.
 - Wenn die Linien sich nicht zentrieren lassen oder sich auf unerklärliche Weise über den Bildschirm bewegen, empfängt der Scout eventuell kein klares Signal.
 - a. Vergewissern Sie sich, dass der Transmitter funktioniert und ausreichende geerdet ist.
 - b. Überprüfen Sie den Stromkreis, indem Sie die untere Antenne auf jede Transmitter-Zuleitung richten.
 - c. Überprüfen Sie, ob Scout und Transmitter mit derselben Frequenz arbeiten.
 - d. Probieren Sie, beginnend mit der niedrigsten, verschiedene Frequenzen aus, bis sich die Leitung zuverlässig lokalisieren lässt.
 - Strom fließt am ehesten von Leitungen mit kleinem Querschnitt in Leitungen mit großem Querschnitt (in Richtung des niedrigsten Widerstandes). Ein Beispiel wäre die Lokalisierung eines Rohrs, das vom Haus zur Straße führt.
 - Beim Lokalisieren sollte an der Stelle, an der die Linien auf dem Bildschirm zentriert sind, das Signal maximiert und die Tiefe minimiert sein. Wenn dies nicht der Fall ist, beschreibt die Versorgungsleitung vielleicht eine Biegung oder andere gekoppelte Signale liegen vor.
 - Höhere Frequenzen neigen eher zu Überschneidung, können aber erforderlich sein, um Brüche in Kabeln zu überspringen oder Isolierkupplungen zu überwinden.
 - Wenn der Transmitter induktiv eingesetzt wird, muss die Lokalisierung unbedingt in 10/15 m Entfernung begonnen werden, um eine "Luftkoppelung" zu vermeiden. Dies ist der Fall, wenn der Scout das Signal direkt vom Transmitter und nicht von der zu lokalisierenden Leitung empfängt.
- Beim Lokalisieren nimmt die Mikrokarte folgende Bedingungen an:
- a. Der Boden ist eben.
 - b. Die Leitung verläuft eben.
 - c. Der Scout Lokalisierer befindet sich über Bodenniveau.
 - d. Der Antennenmast des Scout wird annähernd senkrecht gehalten.
- Wenn diese Bedingungen nicht erfüllt sind, achten Sie genau auf die Maximierung der Signalstärke. Wenn der Scout sich innerhalb etwa zweier "Tiefen" der Leitung befindet, ist die Karte im Allgemeinen hilfreich und exakt. Beachten Sie dies bei der Benutzung der Mikrokarte, wenn Ziel oder Leitung sich in sehr geringer Tiefe befinden. Der nutzbare Suchbereich kann bei Verwendung der Mikrokarte klein sein, wenn die Leitung sich in extrem geringer Tiefe befindet.



Mikrokarte - Beispiel – Lokalisieren einer Leitung



7. Tool-Menü

7.1 Ändern der Tiefeneinheiten

Beim Scout können als Einheit zum Messen der Tiefe Fuß oder Meter verwendet werden. Heben Sie zum Ändern dieser Einstellungen einfach das Tiefensymbol im Tool-Menü hervor und drücken Sie anschließend die Auswahlstaste, um zwischen Fuß und Meter zu wechseln.



7.2 Automatische Hintergrundbeleuchtung

Schlechte Beleuchtungsverhältnisse werden von einem Lichtdetektor in der oberen linken Ecke der Tastatur erkannt. Indem man diesen Sensor mit dem Daumen blockiert, kann die Hintergrundbeleuchtung zwangsweise aktiviert werden.

Die automatische LCD-Hintergrundbeleuchtung ist werksseitig so eingestellt, dass sie nur unter relativ dunklen Verhältnissen aktiviert wird. Dadurch sollen die Batterien geschont werden. Während die Batterien schwächer werden, wird die Hintergrundbeleuchtung allmählich dunkler. Wenn die Batterien fast leer sind, arbeitet die Hintergrundbeleuchtung nur noch schwach, um die Batterien zu schonen.

Zum Abschalten der Hintergrundbeleuchtung heben Sie das Glühlampensymbol im Tool-Abschnitt des Menüs hervor und drücken Sie die Auswahlstaste, um zwischen Auto und OFF zu wechseln.



7.2.1 LCD-Kontrast

Wenn diese Funktion hervorgehoben und aktiviert ist, kann der LCD-Kontrast mit den Pfeiltasten reguliert werden.



8. Hilfreiche Informationen

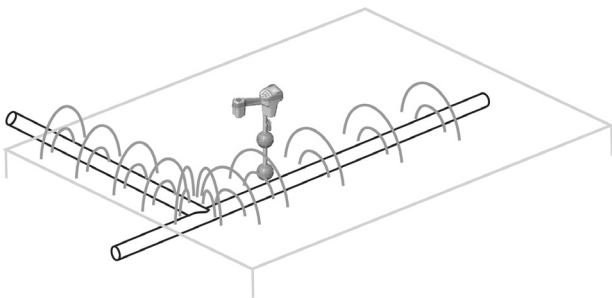
8.1 Signalinterferenz

8.1.1 Verzerrte Felder

Manchmal kann ein einzelnes Feld auf Metall oder andere eisenhaltige Materialien im Boden stoßen, die die Feldlinien verzerren können. Es kann sich dabei um andere Versorgungsleitungen, vergrabenen Schrott oder alte, nicht mehr benutzte Leitungen handeln, die die Feldlinien verschieben oder verkürzen. In diesem Fall kann der Scout ein schwächeres Signal um das Objekt herum und ein stärkeres Signal direkt darüber anzeigen. Das Objekt kann wie eine Linse wirken, die das Signal auf unvorhersagbare Weise verstärkt oder schwächt.

8.1.2 Zusammengesetzte Felder

Zusammengesetzte Felder sind ebenfalls möglich. Wenn ein einzelnes Feld auf ein anderes trifft, können die beiden (oder mehr) Felder ein stärkeres Signal erzeugen. Der Bediener muss wissen, dass in der Umgebung von Abzweigungen oder rechten Winkeln in der Leitung zusammengesetzte Felder oft anzutreffen sind.



Zusammengesetztes Feld im Bereich einer Leitungsverbindung.

8.1.3 Rauschen

Störsignale (Rauschen) sind ganz einfach Teil der Problematik beim Lokalisieren. Interferenzen können entweder die Frequenz haben, die auch verwendet wird, oder "außerhalb des Bandes" mit anderen Frequenzen auftreten. Einige der stärksten Störsignale werden von Anlagen zur Stromübertragung erzeugt. Transformatoren, große Elektromotoren oder Generatoren und Leitungen können Quelle sehr starker Störsignale sein. Bereiche mit besonders starken Störungen sollten nach Möglichkeit gemieden werden.

Wenn die Winkelanzeige instabil und unregelmäßig ist und/oder wenn die Signalpegel nicht stetig sind, ist dies ein deutliches Anzeichen dafür, dass entweder kein Zielsignal (Sonde oder Strom führende Leitung) oder eine starke Störung vorliegt.

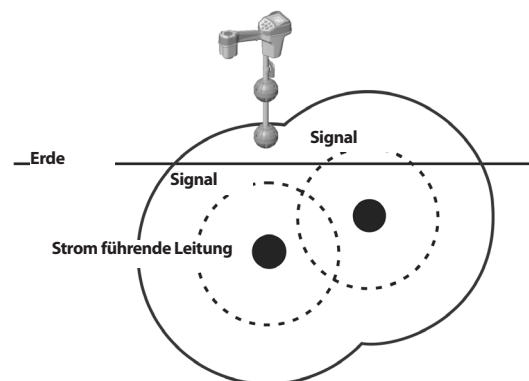
8.2 Hinweise zur Genauigkeit

Messungen der Tiefe und Signalstärke erfordern den Empfang eines starken Signals durch den Scout. Berücksichtigen Sie, dass der Scout oberirdisch verwendet wird, um elektromagnetische Felder zu messen, die von unterirdischen oder verborgenen Leitungen (elektrischen Leitern, wie Metallkabeln und -leitungen) oder Sonden (aktiven Sendern) ausgehen. Wenn die Felder einfach und unverzerrt sind, sind die ermittelten Felder repräsentativ für das vergrabene Objekt.

Wenn diese Felder verzerrt sind und mehrere interagierende Felder vorliegen, arbeitet der Scout ungenau. Das Lokalisieren ist keine exakte Wissenschaft. Es erfordert, dass der Bediener seinen gesunden Menschenverstand benutzt und alle verfügbaren Informationen, über die Anzeige des Instruments hinaus, in Betracht zieht. Der Scout verschafft dem Benutzer mehr Informationen, der Benutzer muss diese jedoch auch richtig interpretieren. Kein Hersteller eines Lokalisiergeräts würde behaupten, dass der Benutzer sich ausschließlich nach den Informationen richten kann, die sein Gerät ihm liefert.

Bedingungen, unter denen die Genauigkeit der Lokalisierung fraglich ist:

- **Andere Leitungen befinden sich in der Nähe.** "Überlagerung" kann zu verzerrten Feldern führen und Leitungen unbeabsichtigt auf dem Bildschirm erscheinen lassen. Arbeiten Sie nach Möglichkeit mit niedrigeren Frequenzen und beseitigen Sie alle Verbindungen zwischen den beiden Leitungen.



- **Induktive Benutzung des Transmitters.** Dies sorgt für ein schwaches Signal der Leitung. Verwenden Sie nach Möglichkeit eine direkte Verbindung.
- **Abzweigungen in der Leitung.** Können zu Verzerrungen des Signals führen.
- **Geringe Signalstärke.** Für eine exakte Lokalisierung ist ein starkes Signal erforderlich.
- **Unterschiedliche Bodenbedingungen.** Extreme Bedingungen hinsichtlich der Feuchtigkeit, also ein zu trockener oder zu nasser Boden, können die Messung beeinträchtigen. Zum Beispiel schirmt ein mit Salzwasser gesättigter Boden, etwa in Küstennähe, das Signal stark ab und kann die Lokalisierung sehr erschweren.

9. Transport und Lagerung

Schalten Sie vor dem Transport das Gerät ab, um die Batterien zu schonen. Vergewissern Sie sich beim Transport, dass das Gerät gesichert ist und keinen Stößen durch andere Ausrüstungsgegenstände ausgesetzt ist. Der Scout sollte kühl und trocken gelagert werden.

Wird der Scout für längere Zeit gelagert, sollten die Batterien entfernt werden.

10. Installation/Verwendung von Zubehör

Zum Lieferumfang des Scout gehören Marker, mit denen Pol- oder Sondenpositionen auf dem Boden markiert werden können. Es handelt sich dabei um (2) rote Marker zum Markieren der Pole und einen (1) gelben Marker zum Markieren der Sonde. Wenn Sie weitere Hilfe benötigen, wenden Sie sich bitte an Ihren Händler oder einen RIDGID Repräsentanten.

11. Wartung und Reinigung

⚠️ WARNUNG

1. **Säubern Sie den Scout mit einem feuchten Tuch und einem milden Reinigungsmittel. Nicht in Wasser eintauchen.**
2. **Zum Reinigen keine Kratzwerkzeuge oder rauen Gegenstände verwenden, da sie das Display permanent zerkratzen können. Zum Reinigen des Systems NIEMALS LÖSUNGSMITTEL VERWENDEN. Substanzen, wie Aceton oder andere aggressive Chemikalien können Risse im Gehäuse verursachen.**

12. Lokalisieren fehlerhafter Komponenten

Empfehlungen zur Fehlerbehebung finden Sie im entsprechenden Leitfaden am Ende des Handbuchs. Weitere Informationen und Unterstützung erhalten Sie von Ridge Tool oder Ihrem Händler.

13. Service und Reparatur

⚠️ WARNUNG

Das Werkzeug sollte zu einer unabhängigen RIDGID Vertrags-Servicestation gebracht werden.

14. Leitfaden zur Fehlerbehebung

PROBLEM	WAHRSCHEINLICHE FEHLERURSACHE
Scout hängt sich während des Betriebs auf.	Das Gerät aus- und wieder einschalten. Die Batterien entfernen, wenn sich das Gerät nicht abschalten lässt.
Beim Lokalisieren "springen" die Linien in der Mikroartenansicht über den Bildschirm.	Dies deutet darauf hin, dass der Scout das Signal nicht aufnimmt oder dass eine Störung vorliegt.
	Beim Lokalisieren einer Sonde "springen" Linien über den Bildschirm.
	Probieren Sie eine höhere Frequenz aus.
	Versuchen Sie, etwaige Störquellen zu ermitteln und zu beseitigen.
Beim Lokalisieren einer Sonde "springen" Linien über den Bildschirm.	Überprüfen Sie, ob die Batterien in der Sonde funktionieren.
	Verifizieren Sie das Signal, indem Sie die untere Antenne nahe an die Sonde bringen. Hinweis – Sonden haben Schwierigkeiten, Signale durch Leitungen aus Gusseisen und Kugelgraphitgusseisen zu senden.
Der Abstand zwischen der Sonde und den beiden Polen ist nicht gleich.	Die Sonde kann geneigt sein, oder es liegt ein Übergang zwischen Gusseisen und Kunststoff vor.
Das Gerät arbeitet unregelmäßig und lässt sich nicht abschalten.	Eventuell sind die Batterien zu schwach. Neue Batterien einlegen und einschalten.
Das Display ist beim Einschalten völlig dunkel oder sehr hell.	Versuchen Sie, das Gerät aus- und wieder einzuschalten.
	Stellen Sie den Kontrast des LCD-Bildschirms ein.
Es ist kein Ton zu hören.	Stellen Sie die Lautstärke im Tonmenü ein.
Der Scout nimmt das Signal nicht auf.	Vergewissern Sie sich, dass der richtige Modus und die richtige Frequenz eingestellt ist.
Der Scout lässt sich nicht einschalten.	Prüfen Sie, ob die Batterien in der korrekten Richtung eingelegt sind. Prüfen Sie, ob die Batterien geladen sind. Prüfen Sie, ob die Batteriekontakte in Ordnung sind. Eventuell ist eine Sicherung des Gerätes durchgebrannt (Werksservice ist erforderlich).

15. Technische Daten

Gewicht mit Batterien.....	1,4 kg
Gewicht ohne Batterien.....	1 kg
Maße	
Länge.....	28,5 cm
Breite.....	11,0 cm
Höhe.....	56,0 cm
Stromquelle	
4 Batterien Größe C, 1,5 V Alkaline (ANSI/NEDA 14A, IEC LR14) oder 1,2 V NiMH oder NiCad aufladbare Batterien	
Nennstrom: 6 V, 550 mA	
Betriebsumgebung	
Temperatur.....	20°C bis 50°C
Luftfeuchtigkeit.....	5% bis 95% relative Luftfeuchtigkeit
Lagertemperatur.....	-20°C bis 60°C
Standardfrequenzen	
Sonde.....	512 Hz, 640 Hz, 874 Hz, 33 kHz
Aktive Leitungslokalisierung.....	512 Hz, 8 kHz, 33 kHz
Passive Leitungslokalisierung.....	60 Hz, 50 Hz

Standardeinstellungen

Die vorgegebenen Einstellungen für den Lokalisierer sind:

- Tiefeneinheiten = Meter und Zentimeter
- Lautstärke = 1 (eine Stufe über stumm)
- Hintergrundbeleuchtung = automatisch

Standardausstattung

- . Scout Lokalisierer
- . Marker und Masthalter
- . 2 Bedienungsanleitungen: USA + Europa
- . 4 C-Batterien (Alkaline)
- . Video PAL

Optionale Ausstattung

- . Zusätzliche Pol-/Sonden-Marker
- . NaviTrack Transmitter
- . Induktionsklammer
- . Batteriesonde
- . Schwimmer

16. Symbollegende
DISPLAY-SYMBOLLE

- Sondenfrequenz
 - Frequenz für aktive Lokalisierung
 - Frequenz für passive (AC) Lokalisierung
 - Lautstärke
 - Batteriezustand
 - Tiefe
 - Horizontalwinkelanzeige
 - Signalstärke
 - Tool-Menü
 - LCD-Kontrast
 - LCD-Hintergrundbeleuchtung
- TASTATURSYMBOLLE**
- Menünavigation
 - Ton-Reset/Auswahl der Menüpunkte
 - Menünavigation/erzwungene Tiefenmessung (3 Sek. drücken)
 - Ein-/Ausschalttaste
 - Menütaste
 - Sonden-/Lokalisierungs-/Frequenzmodustaste
 - Lautstärkeregelstaste

FR

NaviTrack Scout

Instructions d'utilisation

Traduction de la notice originale



CONSIGNES DE SECURITE GENERALES

AVERTISSEMENT ! Lisez et comprenez toutes les instructions.

Le non-respect de toutes les instructions ci-après peut provoquer une électrocution et/ou des blessures corporelles graves.

LISEZ LES CONSIGNES DE SECURITE CI-JOINTES.

CONSERVEZ CES INSTRUCTIONS DANS UN ENDROIT SUR !

Lorsque cela sera nécessaire, la déclaration de conformité CE (890-011-320.10) sera jointe à ce manuel sous la forme d'un livret distinct.

Précautions relatives aux piles :

- Utilisez uniquement des piles présentant le type et la taille spécifiés. Ne mélangez pas différents types de piles (notamment des piles alcalines et des piles rechargeables). N'utilisez pas non plus simultanément des piles complètement chargées et des piles partiellement déchargées (ne mélangez pas des piles neuves et des piles usagées).
- Rechargez les piles avec les chargeurs prévus par le fabricant des piles. L'emploi d'un chargeur inapproprié peut entraîner une surchauffe et une défaillance des piles.
- Mettez correctement les piles au rebut. L'exposition des piles à des températures élevées peut entraîner une explosion. Ne les jetez pas au feu. Certains pays appliquent des règlements sur la mise au rebut des piles. Respectez donc les réglementations applicables.

1. Utilisation et entretien du Scout

- Utilisez exclusivement l'équipement de la manière décrite. N'utilisez pas le Scout avant d'avoir suivi une formation appropriée et lu le manuel de l'utilisateur.
- N'immergez pas les antennes dans l'eau. Stockez l'appareil en lieu sec, afin de réduire les risques d'électrocution et de dégâts de l'instrument.
- Vérifiez si aucune pièce n'est brisée ainsi que toutes autres conditions susceptibles d'affecter le fonctionnement du Scout. En cas de dégâts, faites réparer l'appareil avant de le remettre en service. De nombreux accidents sont provoqués par des outils mal entretenus.
- Utilisez exclusivement les accessoires recommandés par le fabricant pour le Scout. Des accessoires adaptés à un instrument peuvent s'avérer dangereux lorsqu'ils sont utilisés avec un autre appareil.
- Gardez les mains sèches et propres ; éliminez l'huile et la graisse. Cela permet de commander l'instrument avec davantage de précision.
- Protégez l'appareil contre les chaleurs excessives. Eloignez-le des sources de chaleur telles que les radiateurs, les convecteurs, les poêles ou autres appareils générant de la chaleur (y compris les amplificateurs).

1.1 Service

- Le diagnostic d'entretien de l'instrument doit être confié exclusivement à des réparateurs qualifiés. Tout entretien ou réparation effectué par du personnel non qualifié peut entraîner des blessures.
- Assurez un nettoyage adéquat. Retirez la pile avant de nettoyer l'appareil. N'utilisez pas de produit de nettoyage liquide ou en aérosol. Nettoyez l'appareil avec un chiffon humide.
- Effectuez un contrôle de sécurité. Après tout entretien ou réparation du produit, demandez au technicien de service d'effectuer des contrôles de sécurité pour s'assurer que l'appareil est en parfait état de fonctionnement.
- Dégâts qui requièrent une intervention. Retirez les piles et confiez la réparation à un réparateur qualifié dans les cas suivants :
 - Si du liquide ou un objet a pénétré à l'intérieur de l'appareil.
 - Si l'appareil ne fonctionne pas correctement en suivant les instructions d'utilisation.
 - En cas de chute ou de dégât quelconque de l'appareil.
 - Quand vous notez d'importants changements dans les performances du produit.

Dans toute correspondance, mentionnez toutes les informations indiquées sur la plaque signalétique de l'appareil, y compris le numéro de modèle et le numéro de série.

1.2 Remarque importante

Le Scout est un outil de diagnostic qui détecte les champs électromagnétiques émis par des objets enfouis. Il est conçu pour aider l'utilisateur à localiser ces objets en reconnaissant les caractéristiques des lignes de champ et en les affichant à l'écran. Comme les lignes de champ électromagnétique peuvent être altérées par de la distorsion et des interférences, il est important de confirmer l'emplacement des objets enfouis avant de commencer le cavage.

Plusieurs lignes de distribution peuvent être enfouies dans la même zone. Veillez donc à respecter les réglementations locales en vigueur.

La mise à jour de la ligne de distribution constitue le seul moyen de vérifier son existence, son emplacement et sa profondeur.

Ridge Tool Co., ses filiales et ses fournisseurs ne sont pas responsables des blessures ou dommages directs, indirects, incidents ou conséquents dus à l'utilisation du Scout. Plusieurs lignes de distribution peuvent être enfouies dans la même zone. Veillez donc à respecter les réglementations locales en vigueur.

2. Présentation du Scout

Le localisateur de ligne et la sonde du ScoutTM utilisent des antennes multidirectionnelles ainsi qu'un traitement avancé pour repérer les sondes et suivre l'itinéraire des lignes de distribution souterraines rapidement, facilement et avec précision.

2.1 Fonctionnalités uniques du Scout

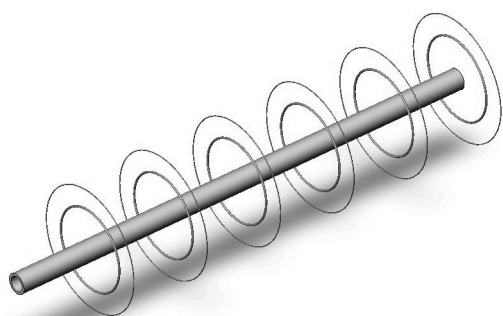
Grâce à sa technologie avancée, le Scout offre plusieurs fonctions uniques par rapport aux localisateurs traditionnels :

- Système d'antennes multidirectionnelles.
- Vue cartographique très détaillée.
- Indication de caractéristiques de signal distinctes.

2.2 Que fait le Scout ?

Le Scout s'utilise au-dessus du niveau du sol pour détecter les champs électromagnétiques émis par des lignes souterraines ou masquées (conducteurs électriques tels que les fils métalliques et les conduites) ou des sondes (bornes de transmission active). Lorsque les champs détectés sont simples et exempts de distorsion, ils sont représentatifs de l'objet enfoui. Le Scout localise des objets conducteurs qui émettent un champ, mais ne détecte pas directement les objets enfouis.

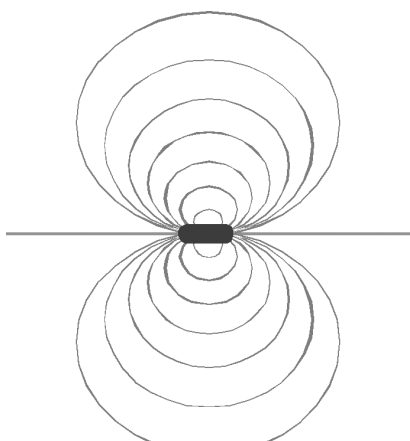
Les champs électriques émis par des objets enfouis peuvent être de deux types. Le premier type est émis par des conducteurs longs tels que les fils sous tension, les conduites ou les câbles à pousser des caméras d'inspection. Ces objets génèrent un long champ cylindrique, souvent appelé suivi de "ligne".



Champ émis par une ligne chargée.

(Le suivi CA passif est un simple cas particulier dans lequel la ligne est "alimentée" par du courant électrique.)

Le second type, à savoir les sondes (aussi appelées émetteurs, bornes ou sondes de conduite actives) émet un champ de forme différente ; le Scout étant programmé pour mesurer et afficher ce type de champ. La forme de champ la plus complexe d'une sonde est appelée champ dipolaire. Elle est identique à celle produite par un aimant droit ou la Terre.

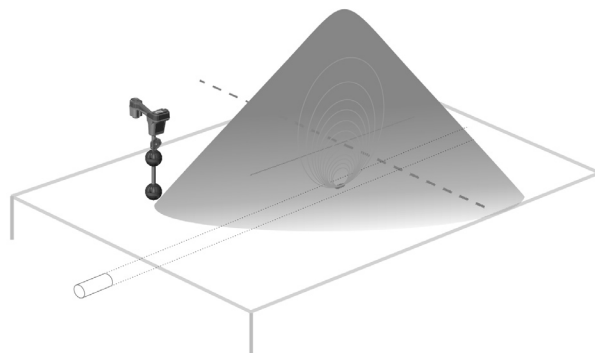


Champ dipolaire émis par une sonde.

Les champs électromagnétiques possèdent trois (3) propriétés importantes, à savoir la fréquence, la puissance et l'angle (direction). Contrairement aux localisateurs traditionnels, qui ne peuvent mesurer que la puissance dans la direction d'une ou plusieurs antenne(s) individuelle(s), le Scout mesure à la fois la puissance du signal et les angles du champ en trois dimensions (3D). Cette capacité améliorée rend possible un affichage cartographique.

L'opérateur expérimenté peut utiliser ces informations supplémentaires pour accélérer le processus de localisation et comprendre des situations de localisation complexes. L'utilisateur occasionnel ou novice, par contre, peut aisément localiser un objet en utilisant seulement la puissance du signal.

La règle de localisation n° 1 du Scout consiste à maximiser le signal ! – La maximalisation de la puissance du signal constitue la principale méthode de localisation.



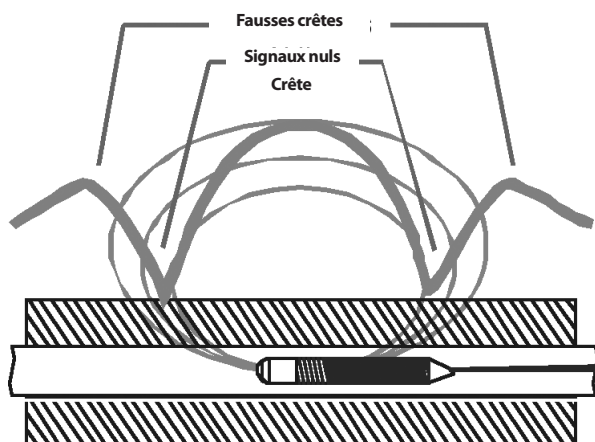
Exemple de maximalisation directe au-dessus de la sonde par le Scout.

Qu'il s'agisse d'un suivi de ligne ou de la localisation d'une sonde, le signal atteint sa puissance maximale au-dessus de la cible. La profondeur est affichée au-dessus de la cible.

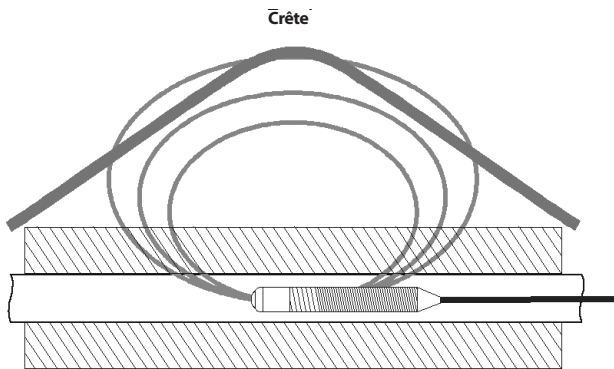
2.3 Quel est l'avantage multidirectionnel du Scout ?

La visualisation de l'ensemble du signal à l'aide d'antennes multidirectionnelles offre des avantages incontestables :

1. Plus l'utilisateur se rapproche de la cible, plus le signal est fort.
2. Elimination des signaux nuls et des "crêtes fantômes". Un signal de localisateur conventionnel possède une crête, puis un point nul, puis une crête plus petite. Cela peut engendrer une confusion pour l'opérateur, en particulier s'il interprète une plus petite crête comme étant la cible (appelée crête "fantôme" ou "fausse" crête). Le Scout ne voit qu'une seule crête pour amener l'utilisateur jusqu'à la cible.



Signal de la sonde "vu" par un localisateur traditionnel. Crête principale au centre et deux fausses crêtes à l'extérieur des deux signaux nuls.



Signal de la sonde "vu" par le Scout. Une seule crête, pas de signal nul.

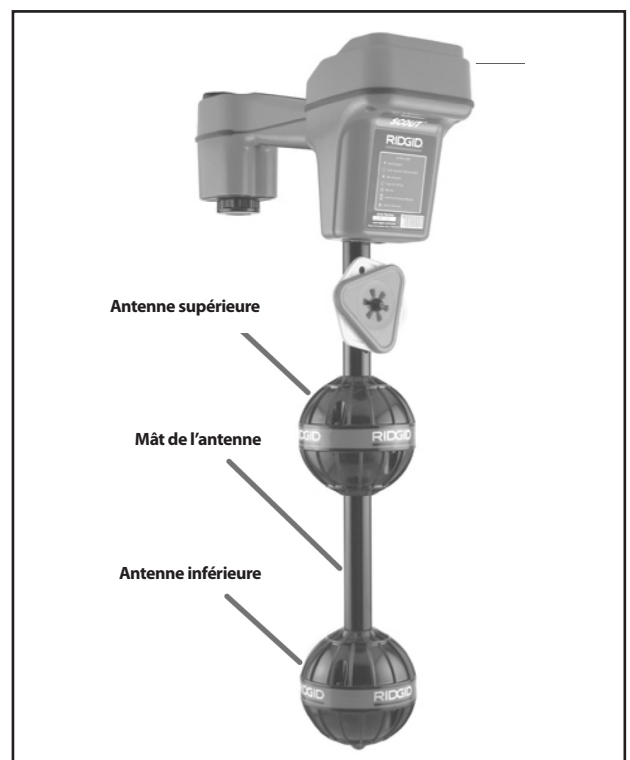
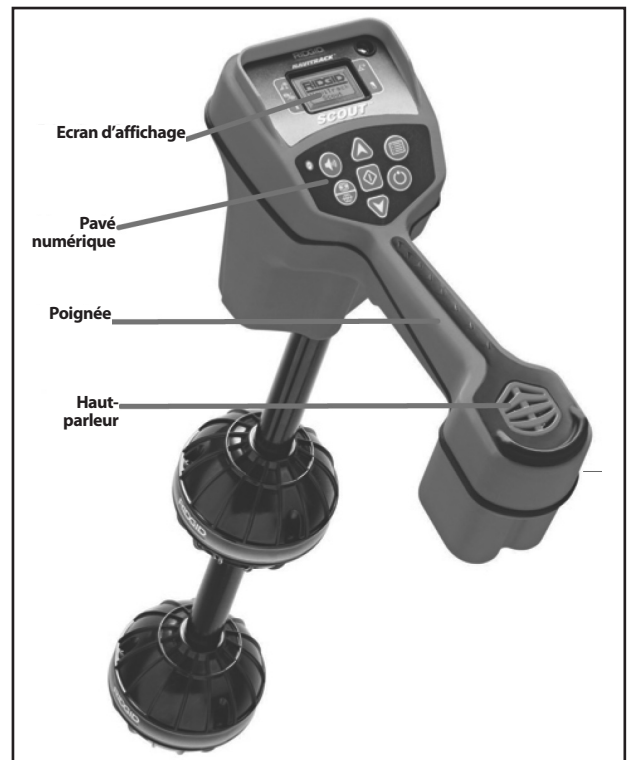
- La prise en main de l'appareil n'affecte pas la puissance du signal. L'utilisateur peut approcher dans n'importe quelle direction et ne doit pas connaître le lit de la conduite ou du câble.
- Le Scout inclut aussi des outils supplémentaires pour identifier et résoudre les localisations "difficiles", à savoir une micro-carte graphique ainsi qu'un indicateur d'angle qui facilitent l'interprétation des caractéristiques du signal.

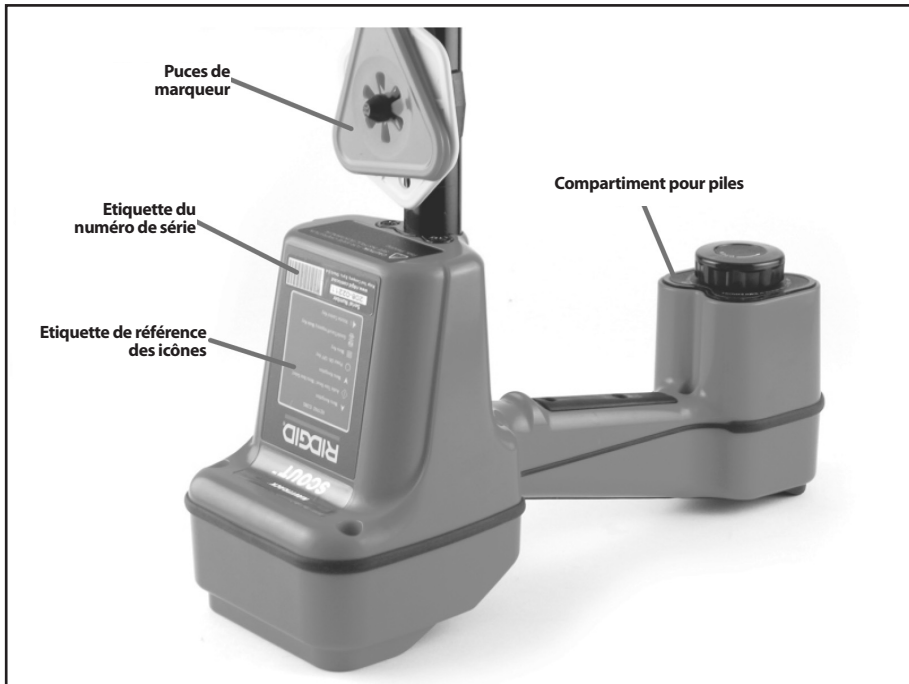
2.4 Avantage de la micro-carte

La carte fournit des graphiques illustrant les caractéristiques du signal. Elle correspond à une vue du ciel de la position souterraine du signal, affichée graphiquement à l'écran. Elle sert de guide pour le traçage des lignes souterraines et peut s'avérer utile pour mieux repérer les sondes. Elle peut aussi fournir des informations supplémentaires pour des localisations complexes.

En déplaçant le localisateur au-dessus du sol, le Scout passe par-dessus le signal émis par les objets enfouis. Cela permet à l'utilisateur de consulter à l'écran les visualisations du signal et de les marquer. Les localisateurs traditionnels ne sont pas capables de tracer le signal souterrain sur une carte, puisque leurs antennes ne visualisent pas sa forme complète.

3. Composants du Scout

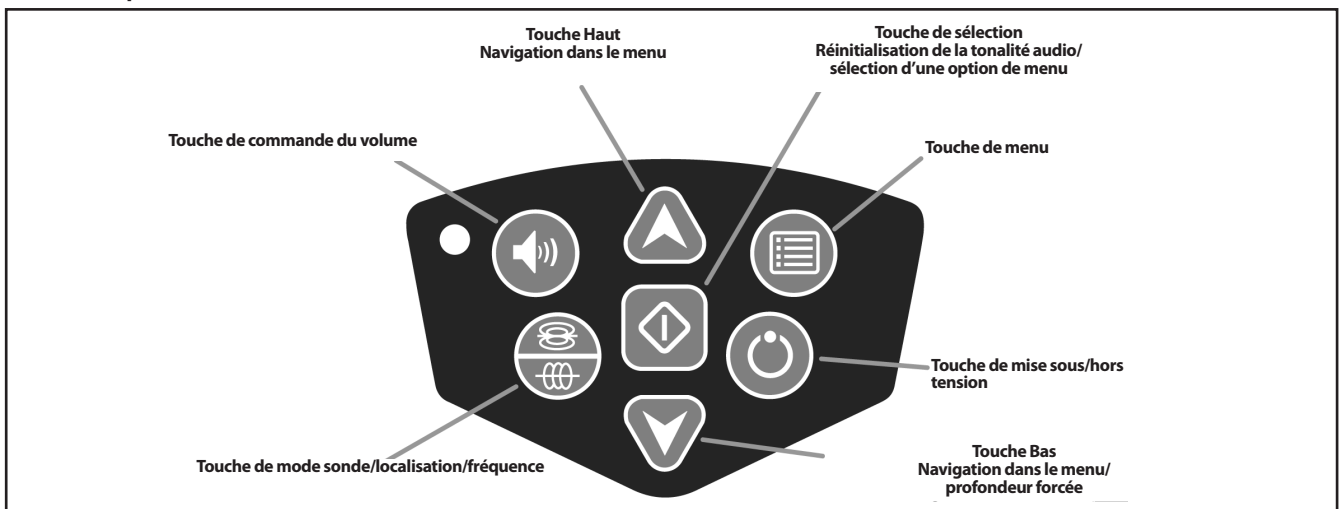




Écran d'affichage



Pavé numérique



Touche de commande du volume – ouvre et ferme le menu du niveau sonore.

Touche de mode sonde/localisation/fréquence – permute les fréquences actives et les fonctions.

Touche Haut – fait défiler les options de menu vers le haut.

Touche de sélection – sélectionne l'élément en surbrillance quand un menu est ouvert.

Touche Bas – fait défiler les options de menu vers le bas.

Touche Menu – ouvre/ferme le menu.

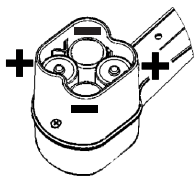
Touche de mise sous/hors tension – met le Scout sous ou hors tension.

4. Mise en route

4.1 Mise en place/remplacement des piles

Pour installer les piles dans le Scout, retournez-le afin d'accéder au compartiment pour piles. Tournez le bouton du couvercle du compartiment pour piles vers la gauche. Tirez le bouton verticalement vers le haut pour retirer le couvercle. Insérez les piles comme illustré sur l'autocollant apposé à l'intérieur du compartiment en veillant à établir un bon contact.

Réinstallez le couvercle sur le compartiment et tournez le bouton vers la droite en l'enfonçant légèrement pour verrouiller le couvercle. Le couvercle du compartiment pour piles peut être installé dans l'un ou l'autre sens.



Lorsque le Scout est mis sous tension, il nécessite quelques secondes pour contrôler l'état des piles. Tant que ce contrôle n'est pas terminé, le niveau de charge des piles est renseigné comme étant "vide".

⚠ AVERTISSEMENT

Évitez toute pénétration de débris à l'intérieur du compartiment pour piles. La présence de débris dans le compartiment pour piles peut court-circuiter les contacts des piles, décharger rapidement celles-ci et provoquer une fuite d'électrolyte ou présenter un risque d'incendie.

4.2 Autonomie de fonctionnement

L'autonomie de fonctionnement typique du localisateur Scout varie entre 12 et 24 heures en cas d'utilisation de piles alcalines, en fonction de certains facteurs tels que le volume du son et la fréquence d'illumination du rétroéclairage. Les autres facteurs susceptibles d'affecter l'autonomie de fonctionnement incluent la chimie des piles (la plupart des nouvelles piles hautes performances, telles que les piles "Duracell® ULTRA", durent entre 10 et 20% plus longtemps que les piles alcalines conventionnelles dans des applications exigeantes). L'utilisation de l'appareil à basse température réduit aussi la durée de vie des piles.

Pour préserver la durée de vie des piles, le Scout se met automatiquement hors tension après une heure, lorsque aucune touche n'est sollicitée. Remettez alors simplement l'appareil sous tension pour l'utiliser à nouveau.

4.3 Mise sous et hors tension

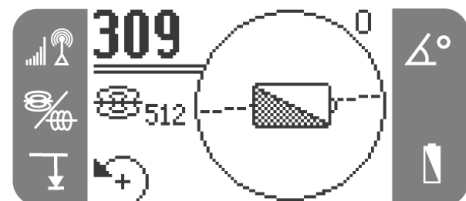
Mettez l'appareil sous tension en appuyant sur la touche Power du pavé numérique. Le logo RIDGID® s'affiche tandis que le numéro de version du logiciel apparaît dans le coin inférieur droit.



Mettez l'appareil hors tension en enfonçant, puis en relâchant la touche Power du pavé numérique. N'oubliez pas que la mise sous/hors tension de l'appareil dure quelques secondes.

4.4 Avertissement de niveau de piles bas

Lorsque les piles s'affaiblissent, une icône en forme de pile s'affiche à l'écran, dans la zone de la carte. Cela signifie que le moment est venu de remplacer les piles et que l'appareil doit être mis hors tension.



Immédiatement avant l'arrêt complet, l'appareil procède à une séquence de mise hors tension non interrompible.

Dans certains cas, la tension des piles rechargeables baisse tellement vite que l'appareil s'éteint simplement. Il se met alors hors tension, puis redémarre. Il vous suffit de remplacer les piles, puis de remettre l'appareil sous tension.

5. Configuration

Une fois que le Scout est sous tension et prêt à fonctionner, l'étape suivante consiste à configurer les fréquences qui concordent avec l'équipement à localiser. Chaque fréquence à utiliser s'active par sélection dans une liste du menu.

1. Appuyez sur la touche du menu, mettez la sélection en surbrillance, puis appuyez sur la touche de sélection pour l'activer :



2. À l'aide des flèches Haut et Bas, mettez en surbrillance la fréquence qui concorde avec celle utilisée dans la sonde ou sur l'émetteur de ligne, puis appuyez sur la touche de sélection pour activer l'option. Pour toute référence, consultez les choix du menu. Appuyez sur la touche du menu pour revenir à l'écran principal.



⚠ AVERTISSEMENT

Assurez-vous que la fréquence sélectionnée correspond à l'utilisation souhaitée. 512 et 33 sont disponibles comme fréquence de sonde ET de localisation de ligne. Si vous utilisez une fréquence de sonde pour localiser une ligne ou inversement, le Scout risque d'afficher des informations de profondeur non correctes.

3. A présent, appuyez sur la touche de mode sonde/ localisation/ fréquence pour faire défiler les fréquences activées et les modes. Surveillez les icônes qui s'affichent à l'écran pour confirmer le mode de fonctionnement du Scout.



4. Si vous devez ajuster la profondeur, le rétroéclairage automatique ou le contraste de l'affichage, mettez la sélection en surbrillance dans la section Outils du menu, puis effectuez vos modifications à l'aide de la touche de sélection.



5.1 Choix du menu

Fréquences du mode sonde		512 Hz 640 Hz 874 Hz 33 Hz
Fréquences du mode de localisation de ligne		50 Hz (passif) 60 Hz (passif) 512 Hz 8 kHz 33 kHz
Menu Outils		Pieds/Mètres Rétroéclairage automatique Contraste de l'affichage

5.2 Sons du Scout

Le son renseigne sur l'augmentation ou la diminution de la puissance du signal. Sa hauteur de son et son volume augmentent et diminuent avec la puissance du signal. Au fur et à mesure que le signal augmente, la hauteur du son et le volume du son augmentent uniquement pour faire avancer l'opérateur en direction de la puissance maximale du signal. Si la puissance du signal diminue, le son revient à un trémolo de base, comme s'il n'y avait aucun signal présent.

Le Scout possède un gain automatique. Lorsque le gain monte ou descend d'un pas, le son est rétabli à l'intensité supérieure ou inférieure. Réglez le volume du son en appuyant sur la touche du son.



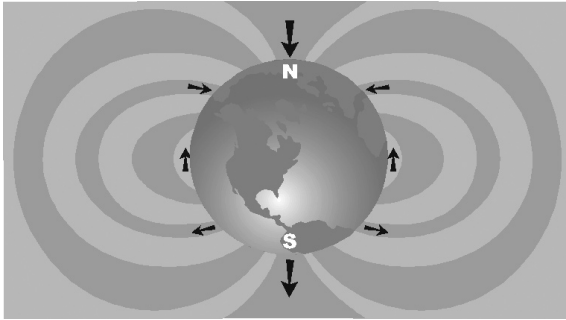
Le volume change à chaque appui de la touche du son, mais vous pouvez aussi l'ajuster à l'aide des touches Haut et Bas. Appuyez sur la touche de sélection pour quitter cet écran.



REMARQUE En mode de fonctionnement normal, l'appui de la touche de sélection règle la hauteur du son sur le niveau intermédiaire.

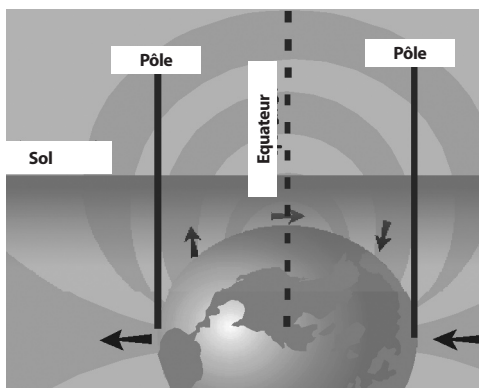
5.3 Présentation - Familiarisation avec les son des et le Scout

Les sondes (aussi appelées émetteurs, bornes ou sondes de conduite actives) émettent un champ électromagnétique très similaire au champ magnétique émanant de la Terre.



En réalité, si la Terre était retournée sur son côté, son champ magnétique ressemblerait de près au champ d'une sonde.

En tant que localisateur, le Scout peut mesurer la forme (angle) des lignes de champ à partir d'une sonde et identifier différentes caractéristiques de ces lignes. Les deux **POLES** et **L'EQUATEUR** sont trois caractéristiques importantes. Aux pôles, l'angle du signal est de 90 degrés (vertical). A l'Equateur, il est de 0 degré (horizontal). Les pôles sont des points distincts dans l'espace tandis que l'Equateur s'enveloppe entièrement autour de la sonde. Comme ces caractéristiques distinctes sont constantes, elles peuvent être utilisées pour repérer l'emplacement de la sonde.



Les pôles se situent généralement à l'endroit où les localisateurs conventionnels expérimentent des "signaux nuls", c'est-à-dire les points morts générés au moment où le signal traverse verticalement leurs antennes. Le Scout, lui, peut "voir" les pôles ("signaux nuls") et vous indiquer où ils se trouvent, **y compris lorsque vous n'êtes pas directement au-dessus d'eux, et indépendamment du fait que les antennes sont alignées ou non sur le signal.**

Ceci constitue une des raisons pour lesquelles la localisation est bien plus aisée avec le Scout qu'avec des localisateurs traditionnels.

La sonde se situe au point où l'Equateur passe directement entre les deux pôles.


5.4 Localisation de la sonde

Le Scout peut être utilisé pour localiser le signal d'une sonde (émetteur) dans une conduite, et identifier ainsi son emplacement au-dessus du niveau du sol. Les sondes peuvent être placées à un point stratégique dans la conduite à l'aide d'un câble ou d'une tige à pousser pour caméra. Elles peuvent aussi être jetée dans le tuyau.

L'exemple suivant suppose que la sonde se trouve dans une conduite horizontale, que le sol est approximativement de niveau et que le Scout est soutenu en positionnant le mât de l'antenne à la verticale.

IMPORTANT La puissance du signal constitue le principal facteur de détermination de l'emplacement de la sonde. Pour garantir une localisation précise, vous DEVEZ maximaliser la puissance du signal avant de marquer une zone à des fins de cavage.

5.4.1 Pour localiser une sonde, configurez la localisation de la manière suivante :

- **Avant** de placer la sonde dans la conduite, contrôlez son bon fonctionnement à l'aide du Scout et assurez-vous que celui-ci reçoit bien son signal.
- Une fois que la sonde est en position et qu'elle émet, activez-la et adaptez sa fréquence pour qu'elle concorde avec celle de la sonde du Scout. Assurez-vous qu'une icône de mode sonde  est présente.

⚠ AVERTISSEMENT

Assurez-vous que la fréquence sélectionnée correspond à l'utilisation souhaitée. 512 et 33 sont disponibles comme fréquence de sonde ET de localisation de ligne. Si vous utilisez une fréquence de sonde pour localiser une ligne ou inversement, le Scout risque d'afficher des informations de profondeur non correctes.

- Rejoignez l'emplacement supposé de la sonde. Si vous ne connaissez pas la direction de la conduite, poussez la sonde sur une courte distance dans la conduite (5 mètres à partir de l'accès constitue un bon point de départ).

5.4.2 Localisez la sonde à l'aide d'une des méthodes suivantes :

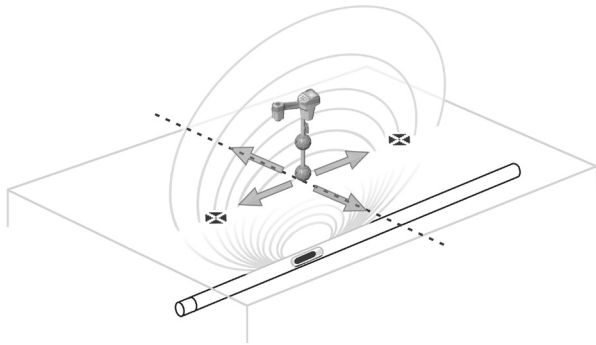
Méthode 1 – Maximalisation de la puissance du signal

1. Tenez le Scout en éloignant le mât de votre corps. Balayez le mât dans la direction supposée de la sonde en observant la puissance du signal et en écoutant le son. Le signal est le plus fort quand le mât pointe vers la sonde.
2. Abaissez le Scout en position de fonctionnement normal (mât vertical) et déplacez-vous dans la direction de la sonde. Au fur et à mesure que vous vous approchez, la puissance du signal augmente et la tonalité audio augmente la hauteur du son. Utilisez la puissance du signal et le son pour **maximaliser le signal.**



3. Une fois que vous avez trouvé le maximum, placez le Scout à proximité du sol, au-dessus de la crête, et déplacez-le dans tous les sens pour vous assurer que la puissance du signal baisse.

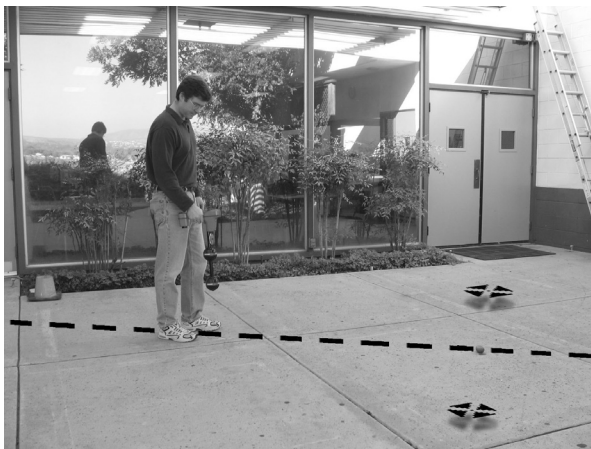
REMARQUE Le signal le plus haut compte, la ligne de l'Equateur peut être à une position différente de celle du signal le plus haut si la sonde est inclinée (consultez la section relative aux sondes inclinées).



Méthode 2 – Suivi de l'Equateur, puis maximalisation

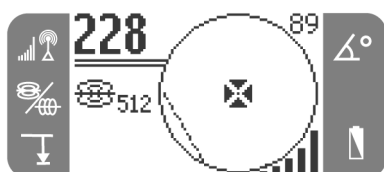
1. Cette méthode fonctionne mieux dans des zones ouvertes et sans obstacles, lorsque la sonde est supposée être à l'horizontale. Balayez le mât, puis déplacez-vous en direction de la puissance maximale du signal, comme décrit dans la Méthode 1.
2. Quand le Scout fait apparaître un affichage stable, la ligne de l'Equateur est centrée sur l'écran. Suivez-la dans la direction dans laquelle la puissance du signal augmente. Lorsque la puissance maximale du signal est atteinte, déplacez le Scout le long de l'Equateur **et** dans **toutes** les directions pour être certain qu'il se trouve sur la crête.

Lorsque la sonde est inclinée, veillez à trouver le signal maximum, car c'est à cet endroit que se situe la sonde.



Vérifiez la localisation.

1. Au point où la puissance du signal est maximale, quand le mât est à la verticale, déplacez le Scout perpendiculairement à la ligne de l'Equateur affichée à l'écran. Quand l'icône du pôle s'affiche, déplacez le Scout jusqu'à ce que cette icône soit centrée sur les réticules **en positionnant la bille d'antenne inférieure** sur le sol. Placez un des marqueurs orange en forme de triangle sur le sol, à cette position.



Vue quand le Scout est positionné sur le pôle.

2. Déplacez le Scout vers l'arrière sur la ligne de l'Equateur en direction de l'autre pôle. Centrez les réticules sur l'icône du deuxième pôle et marquez cette position comme précédemment.
3. Revenez à la **puissance maximale du signal**. Marquez ce point sur le sol avec la puce du marqueur hexagonal jaune. Déplacez lentement la bille d'antenne inférieure en l'éloignant du marqueur jaune dans toutes les directions tout en observant l'affichage de la puissance du signal. La puissance du signal doit être la plus élevée directement au-dessus de la sonde.
4. Vérifiez si les trois marqueurs sont alignés et si le marqueur hexagonal jaune se trouve approximativement à mi-chemin entre les marqueurs des pôles.

Si le marqueur jaune ne se trouve pas au milieu, consultez la section relative aux sondes inclinées.

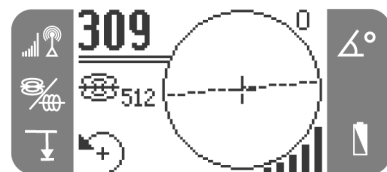
IMPORTANT Le positionnement sur l'Equateur ne signifie PAS que vous vous trouvez au-dessus de la sonde ! N'oubliez pas que la puissance du signal est le facteur clé de la localisation de la sonde. Vous devez être au point où la puissance du signal est la plus élevée. Pour une précision optimale, utilisez le niveau à bulle d'air. Le mât **DOIT** être vertical lorsque vous repérez les pôles et l'Equateur, sinon leurs emplacements ne seront pas corrects!

5.5 Mesure de la profondeur

Le Scout mesure la profondeur en comparant la puissance du signal au niveau de l'antenne inférieure, vers l'antenne supérieure.

La profondeur est mesurée quand l'antenne inférieure touche le sol directement au-dessus de la source du signal.

1. Pour mesurer la profondeur, placez le localisateur sur le sol, directement au-dessus de la sonde ou de la ligne. Assurez-vous que l'indicateur d'angle signale 5 degrés ou moins. Ensuite, tournez lentement l'appareil en direction de la flèche affichée dans le coin **inférieur gauche** de l'écran, jusqu'à ce que la profondeur s'affiche.



Le niveau à bulle d'air s'avère utile pour mesurer la profondeur, car il permet de s'assurer que le mât de l'antenne est vertical.

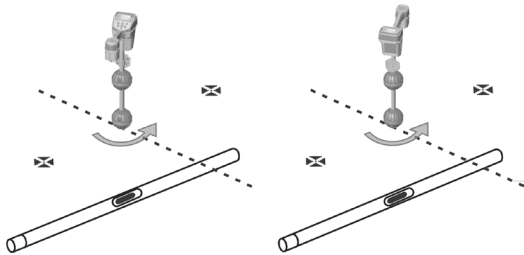
Pour maximaliser le signal et obtenir une mesure de profondeur plus précise, vous devez faire pivoter le Scout afin d'aligner l'antenne sur le signal.

2. La profondeur est indiquée dans le coin inférieur gauche.



3. **Fonction de profondeur forcée** - Si l'indicateur d'angle affiche 5 degrés ou plus, le Scout ne donne aucune mesure de profondeur. Appuyez alors sur la touche Bas et maintenez-la enfoncée afin de forcer le calcul de la profondeur si toutefois celle-ci peut être mesurée (consultez la section suivante sur les sondes inclinées).

Quand vous contrôlez la profondeur, effectuez toujours un premier relevé, faites pivoter le Scout de 180 degrés (1/2 tour), puis mesurez une deuxième fois la profondeur. Assurez-vous que la bille inférieure demeure à la même position sur le sol et que le mât est vertical. Si les mesures de la profondeur varient de plus de 10% entre elles, de la distorsion est présente et la mesure de la profondeur doit être mise en doute.



5.6 Conseils d'utilisation pour la localisation d'une sonde

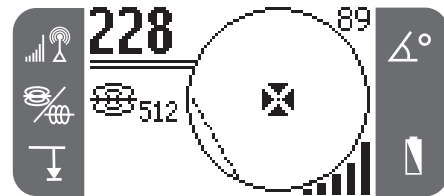
- Utilisez le son dans tous les cas possibles pour aider le Scout à vous guider en direction de la puissance maximale du signal.
- Si vous traversez l'Equateur et si le signal n'est pas maximalisé, suivez l'Equateur jusqu'à la puissance maximale du signal. La simple identification de l'Equateur de la sonde (ligne en pointillés affichée à l'écran) ne signifie PAS que la sonde a été localisée. Vous devez aussi trouver le point de la puissance maximale du signal. Si la sonde est fortement inclinée, l'Equateur ne se trouvera pas directement au-dessus de la sonde et la distance qui sépare la sonde de chaque pôle ne sera pas égale. Si la sonde est inclinée, maximalisez le signal.
- Confirmez toujours le point de la puissance maximale du signal. Vérifiez toujours l'affichage de la carte, sauf si vous êtes certain que toutes les conditions requises sont réunies. La carte suppose en effet les conditions suivantes :
 1. Le sol est de niveau.
 2. La sonde est de niveau.
 3. Le localisateur du Scout se trouve au-dessus du niveau du sol.
 4. Le localisateur du Scout est positionné approximativement à la verticale et le mât de l'antenne pointe droit vers le bas.

Si ces conditions ne sont pas réunies, veillez absolument à maximaliser la puissance du signal. En règle générale, lorsque les conditions ci-dessus sont vraies et que le Scout se trouve approximativement à moins de deux "profondeurs" de la source du signal, la carte est utile et précise. Tenez compte de cela lorsque vous utilisez la carte si la cible ou la source du signal est très superficielle. La zone de recherche utile à l'aide de la carte seulement peut être réduite si la sonde est très peu profonde.

5.7 Sondes inclinées

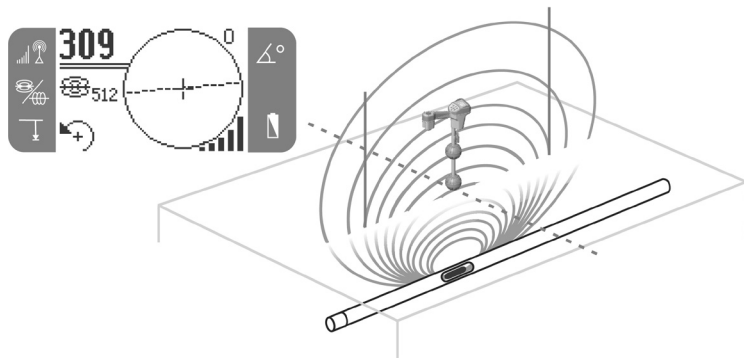
Si la sonde est inclinée, un pôle se rapproche de celle-ci tandis que l'autre s'en éloigne et l'emplacement de la sonde ne se situe plus à mi-chemin entre les deux pôles. La puissance du signal du pôle le plus proche devient nettement supérieure à celle du pôle le plus éloigné. Dans le cas extrême où la sonde est inclinée à la verticale, le pôle unique se déplace vers un

point situé directement au-dessus de la sonde et correspond aussi au point où la puissance du signal est maximale. L'autre pôle n'est pas visible. Par conséquent, même si la sonde est verticale, ce qui peut être le cas lorsqu'elle tombe dans une brèche de la conduite ou un réservoir souterrain, elle peut toujours être localisée. Ce qui apparaît à l'écran correspond à un pôle de la puissance maximale du signal quand la sonde est verticale.

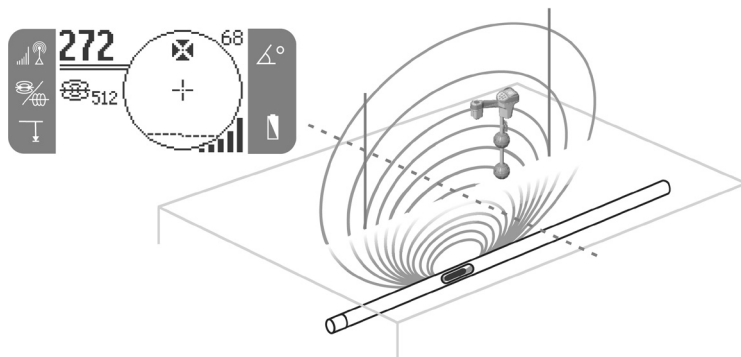


Les antennes multidirectionnelles permettent de mesurer la profondeur, même lorsque la sonde est inclinée. Dans ces circonstances, la fonction de profondeur forcée doit être utilisée pour mesurer la profondeur (consultez la section relative à la mesure de la profondeur).

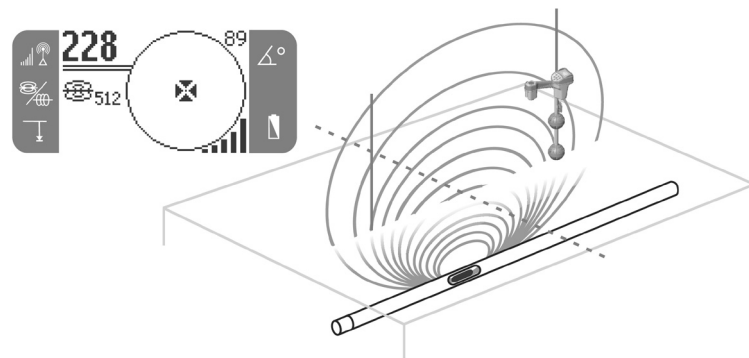
Micro-carte - Exemples – Mode sonde



Scout sur l'Equateur



Le Scout quitte l'Equateur et s'approche du pôle



Scout sur le pôle

6. Suivi d'une ligne avec le Scout

Le Scout peut aussi être utilisé pour suivre une conduite ou une ligne en vue de marquer sa trajectoire au-dessus du sol. Ce suivi identifie l'emplacement de la conduite et permet de l'éviter lors d'un cavage ou de la mettre à jour à des fins de réparation ou de remplacement. Le Scout peut localiser des lignes sous tension avec une variété de fréquences, voire même être utilisé passivement pour effectuer un balayage en vue de localiser tout conducteur long qui véhicule des signaux.

Les lignes souterraines sont alimentées à l'aide d'un émetteur de ligne. Ce signal actif est ensuite suivi à l'aide d'un récepteur tel que le Scout.

1. Fixez l'émetteur à la ligne, conformément aux instructions du fabricant.

Un "émetteur" désigne de manière générique tout ce qui génère un signal susceptible d'être localisé. Il décrit aussi bien une sonde qu'un dispositif utilisé pour alimenter un câble ou une conduite.

2. Accordez la fréquence du transmetteur sur celle du Scout. Assurez-vous que l'icône de localisation de ligne ~ est présente. Appuyez sur la touche de menu principal pour revenir à l'écran de localisation.



- Lorsque vous commencez le suivi, nous vous recommandons d'observer d'abord la puissance du signal pour déterminer si elle baisse quand vous éloignez le Scout. Pointez le mât vers les fils ou l'émetteur proprement dit si vous utilisez le mode d'induction. La puissance doit être maximale au-dessus de la ligne et diminuer de part et d'autre. Si la puissance du signal et les lignes à l'écran ne concordent PAS, il se peut que le signal soit déformé.
- Pendant le suivi, la trajectoire de la conduite ou du câble est illustrée à l'écran sous forme de deux traits pleins. Le maintien des lignes au centre indique que le Scout suit la ligne souterraine. Si la ligne se déplace vers la gauche ou la droite, déplacez le Scout pour la ramener au centre. Le signal émis à partir d'une ligne est le plus fort directement au-dessus de cette ligne. Si ce n'est pas le cas, de la distorsion est présente.



REMARQUE Si vous utilisez une fréquence de localisation de ligne, deux traits sont affichés à l'écran. Si vous utilisez une fréquence de sonde, par contre, l'Equateur est le seul trait.

ATTENTION Surveillez attentivement les interférences du signal susceptibles d'altérer la précision des relevés. Des relevés de profondeur doivent être utilisés comme estimation et les profondeurs réelles doivent être confirmées en exposant la ligne avant de procéder à un cavage.

- Lorsque vous commencez la localisation, nous vous recommandons d'observer d'abord la puissance du signal pour déterminer si elle baisse quand vous éloignez le Scout. Pointez le mât vers les fils ou l'émetteur proprement dit si vous utilisez le mode d'induction. La puissance doit être maximale au-dessus de la ligne et diminuer de part et d'autre. Si la puissance du signal et les lignes à l'écran ne concordent PAS, il se peut que le signal soit déformé.

6.1 Repérage d'une ligne CA passive

En mode passif, le Scout détecte du courant alternatif ou des champs CA. Les lignes électriques souterraines n'émettent aucun signal traçable, sauf si du courant circule dans les fils. Les éclairages publics qui sont éteints, par exemple, s'avèrent difficiles à repérer passivement.

- Sélectionnez une fréquence de localisation CA passive à l'aide de l'icône de localisation de ligne passive ~.
- Le Scout possède deux (2) fréquences de suivi de courant alternatif passif, qui sont standard. Il s'agit de 50 Hz et 60 Hz.

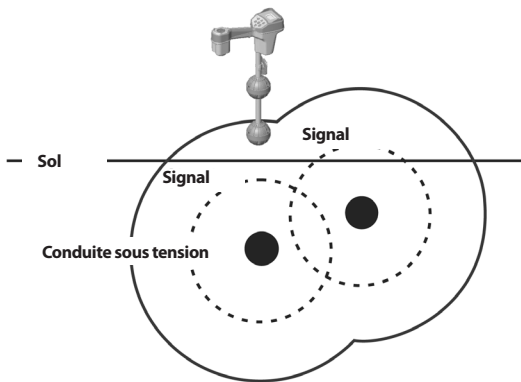
6.2 Conseils d'utilisation pour le suivi des lignes

Lorsque les lignes ne sont pas centrées sur la carte, mais que la puissance du signal est maximisée, de la distorsion est présente !

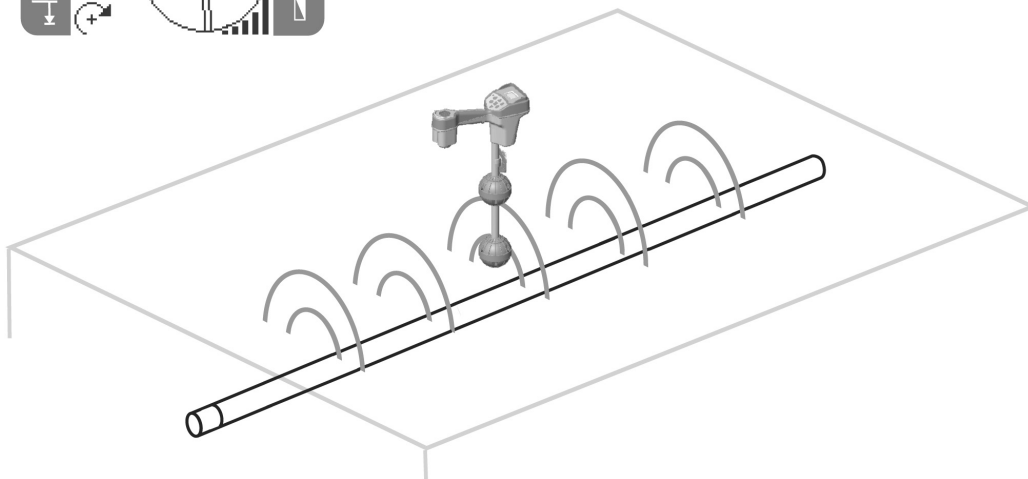
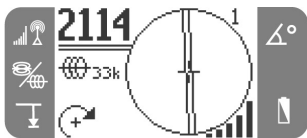
- Essayez de basculer vers une fréquence inférieure.
 - Eloignez la position le piquet de terre de la ligne à suivre.
 - Assurez-vous que la ligne n'est pas communément liée à une autre ligne de distribution.
- Si les lignes ne sont pas centrées ou si elles se déplacent à l'écran de manière inexplicable, il se peut que le signal reçu par le Scout ne soit pas clair.
- Vérifiez si l'émetteur fonctionne et s'il est correctement mis à la masse.
 - Testez le circuit en pointant l'antenne inférieure en direction de l'un ou l'autre fil de l'émetteur.
 - Assurez-vous que le Scout et l'émetteur fonctionnent sur la même fréquence.
 - Testez différentes fréquences, en commençant par la plus basse, jusqu'à ce que la ligne puisse être saisie de manière fiable.
- Le courant circule mieux des plus petites lignes vers les plus grandes (résistance inférieure). Le suivi d'une conduite de l'habitation vers la rue, constitue un bon exemple.
- Pendant le suivi, le signal doit être maximisé et la profondeur minimisée à l'endroit précis où les lignes sont centrées sur l'affichage. Si ce n'est pas le cas, il se peut que la ligne de distribution tourne ou que d'autres signaux couplés soient présents.
- Les fréquences plus élevées débordent davantage, mais peuvent être nécessaires pour sauter les points de rupture des fils de suivi ou pour passer par-dessus des coupleurs isolants.
- Lorsque vous utilisez l'émetteur de manière inductive, veillez à commencer la localisation à une distance de 10 à 15 mètres pour éviter "l'accouplement d'air". C'est là que le Scout saisit directement le signal à partir de l'émetteur, et non à partir de la ligne qui fait l'objet du suivi.

Pendant le suivi, la micro-carte suppose les conditions suivantes :

- Le sol est de niveau.
 - La ligne est de niveau.
 - Le localisateur du Scout se trouve au-dessus du niveau du sol.
 - Le mât de l'antenne du Scout est maintenu approximativement à la verticale.
- Si ces conditions ne sont pas réunies, veillez absolument à maximiser la puissance du signal. En règle générale, si le Scout se trouve à moins de deux "profondeurs" de la ligne, la carte se révèle utile et précise. Tenez compte de cela lorsque vous utilisez la micro-carte si la cible ou la ligne est très superficielle. La zone de recherche utile dans la micro-carte peut être réduite si la ligne est très peu profonde.



Micro-carte - Exemples – Localisation de ligne



7. Menu Outils

7.1 Modification des unités de profondeur

Le Scout peut mesurer la profondeur en pieds ou en mètres. Pour changer de réglage, mettez en surbrillance l'icône de profondeur dans le menu Outils, puis appuyez sur la touche de sélection pour basculer entre les pieds ou les mètres.



7.2 Rétroéclairage automatique

Les faibles niveaux de luminosité sont détectés par un détecteur de luminosité incorporé dans le coin supérieur gauche du pavé numérique. Vous pouvez

forcer la mise sous tension du rétroéclairage en obstruant ce capteur à l'aide du pouce.

Le rétroéclairage automatique de l'affichage à cristaux liquides est réglé d'origine pour se mettre sous tension uniquement dans des conditions relativement sombres. Ce réglage permet d'économiser l'énergie des piles. Si les piles sont presque plates, le rétroéclairage paraîtra sombre. Lorsque l'autonomie des piles est pratiquement épuisée, le rétroéclairage fonctionne à un niveau très bas pour conserver l'énergie des piles.

Pour mettre le rétroéclairage hors tension, mettez en surbrillance l'icône de l'ampoule dans la section Outils du menu, puis appuyez sur la touche de sélection pour basculer entre Auto et OFF.



7.2.1 Contraste de l'affichage à cristaux liquides

Quand celui-ci est en surbrillance et sélectionné, vous pouvez régler le contraste de l'affichage à l'aide des touches Haut et Bas.



8. Informations utiles

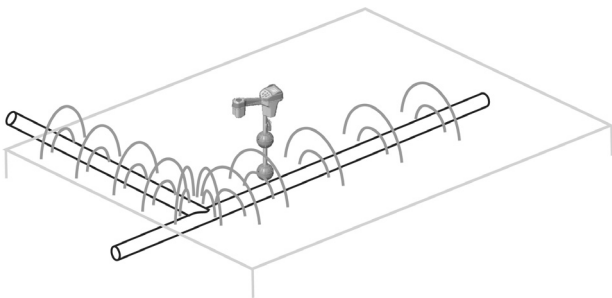
8.1 Interférences du signal

8.1.1 Champs déformés

Un champ unique peut parfois rencontrer du métal ou d'autres matériaux ferreux dans le sol et entraîner une distorsion des lignes de champ. Il peut s'agir d'une autre ligne de distribution, de déchet enfoui ou d'anciennes lignes qui ne sont plus utilisées et qui dévient ou raccourcissent les lignes de champ. Dans ce cas, le Scout peut afficher un signal plus faible autour de l'objet et un signal plus fort directement au-dessus de celui-ci. L'objet peut se comporter comme un objectif qui amplifie ou affaiblit le signal de manière imprévisible.

8.1.2 Champs composites

Des champs composites peuvent aussi exister. Là où un champ unique rencontre un autre, la combinaison des deux ou plus peut créer un signal plus fort. Il est important que les opérateurs comprennent ce phénomène, à proximité de raccords en "T" ou aux angles droits de la ligne, c'est-à-dire là où les champs composites sont le plus fréquemment présents.



Champ composite illustré autour d'une connexion dans la ligne.

8.1.3 Parasites

L'interférence des signaux (parasites) fait tout simplement partie du défi que doit relever la localisation. L'interférence peut se produire à la même fréquence que celle utilisée, mais peut être aussi "extérieure à la bande", sur d'autres fréquences. Certains des signaux d'interférence les plus volumineux sont générés par des équipements de transmission de puissance. Les transformateurs de puissance, les gros moteurs électriques ou générateurs ainsi que les lignes peuvent être à l'origine d'importants signaux parasites. Les zones particulièrement bruyantes doivent être évitées dans la mesure du possible.

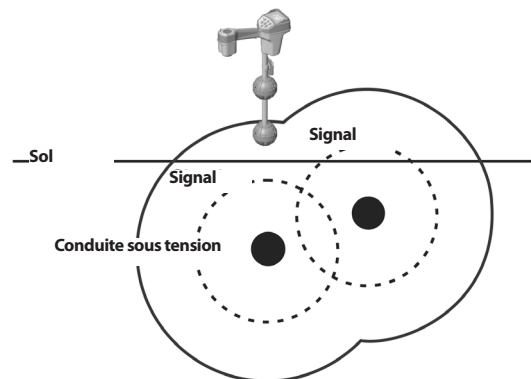
Si l'affichage de l'angle est instable et irrégulier et/ou si les niveaux de signaux ne sont pas stables, cela peut signifier avec une certaine certitude qu'aucun signal cible n'est présent (sonde ou ligne sous tension) ou que le niveau d'interférence est élevé.

8.2 Remarques relatives à la précision

Les mesures de profondeur et de puissance du signal dépendent de la force du signal reçu par le Scout. N'oubliez pas que le Scout s'utilise au-dessus du niveau du sol pour détecter les champs électromagnétiques émis par des lignes souterraines (conducteurs électriques tels que les fils métalliques et les conduites) ou des sondes (bornes de transmission active). Lorsque les champs détectés sont simples et exempts de distorsion, ils sont représentatifs de l'objet enfoui.

Si ces champs sont déformés et si une interaction de plusieurs champs est présente, la localisation établie par le Scout peut ne pas être précise. La localisation n'est pas une science exacte. Elle exige que l'opérateur utilise son jugement et recherche toutes les informations disponibles en plus de la fiabilité des relevés de l'instrument. Le Scout fournit davantage d'informations à l'utilisateur, mais l'interprétation correcte de ces informations appartient à l'opérateur. Aucun fabricant de localisateur ne prétend que l'opérateur doit suivre exclusivement les informations données par son instrument. Conditions dans lesquelles la précision de la localisation doit être mise en doute :

- **Présence d'autres lignes ou conduites de distribution.** Le "débordement" peut être à l'origine d'une distorsion des champs et illuminer des lignes par inadvertance. Utilisez des fréquences plus basses lorsque cela est possible et éliminez toutes les connexions entre les deux lignes.



- **Utilisation de l'émetteur de manière inductive.** Cela donne un signal faible à la ligne. Utilisez une connexion directe dans toutes les situations possibles.
- **Présence de T ou de fractionnement dans la ligne.** Ceux-ci peuvent engendrer de la distorsion dans le signal.
- **Lorsque la puissance du signal est faible.** La localisation précise exige un signal fort.
- **Variation des conditions du sol.** Des taux d'humidité extrêmes (sécheresse ou saturation excessive) peuvent affecter les relevés. Un sol qui est saturé en eau salée, par exemple, ce qui est le cas à proximité des côtes, protège le signal de manière excessive et rend la localisation extrêmement difficile.

9. Transport et stockage

Avant de transporter l'appareil, veillez à le mettre hors tension pour économiser l'énergie des piles.

Pour le transport, assurez-vous que l'appareil est fixé en toute sécurité et qu'il ne rebondit pas ou ne risque pas d'être heurté par un équipement quelconque. Le Scout doit être entreposé dans un endroit sec et froid.

En cas d'entreposage pour une durée prolongée, retirez les piles.

10. Installation/Utilisation des accessoires

Le Scout est fourni avec des marqueurs destinés à marquer l'emplacement des pôles ou des sondes au-dessus du sol. Vous disposez ainsi de deux (2) marqueurs rouge pour marquer les pôles et d'un (1) marqueur jaune pour la sonde.

Pour toute aide supplémentaire, contactez votre distributeur ou un représentant RIDGID.

11. Entretien et nettoyage

⚠ AVERTISSEMENT

1. **Nettoyez le Scout avec un chiffon humide, imbibé de détergent doux. Ne l'immergez pas dans l'eau.**
2. **Pour le nettoyage, n'utilisez pas d'objet qui raye ou de produits abrasifs susceptibles de rayer définitivement l'affichage. N'UTILISEZ JAMAIS DE SOLVANTS pour nettoyer une partie quelconque du système. Des substances telles que l'acétone ou d'autres produits chimiques âcres peuvent fissurer le boîtier.**

12. Identification des composants défectueux

Pour résoudre des problèmes, consultez le guide de dépannage à la fin du manuel. Le cas échéant, contactez Ridge Tool ou votre distributeur pour obtenir de l'aide ou des informations supplémentaires.

13. Service et réparation

⚠ AVERTISSEMENT

L'appareil doit être confié à un centre de service agréé indépendant RIDGID.

14. Guide de dépannage

PROBLEME	SOURCE PROBABLE DE LA DEFAILLANCE
Le Scout se bloque en cours d'utilisation.	Mettez l'appareil hors tension, puis à nouveau sous tension. Si l'appareil ne se met pas hors tension, retirez les piles.
Pendant la localisation, les lignes "sautent" à l'écran sur la micro-carte.	Cela signifie que le Scout ne parvient pas à saisir le signal ou que des interférences sont présentes.
	Assurez-vous que l'émetteur est correctement connecté et raccordé à la masse. Pointez le Scout en direction de l'un ou l'autre fil pour être certain que le circuit est complet.
	Essayez une fréquence supérieure.
	Essayez de déterminer la source de tout parasite et éliminez-la.
Pendant la localisation d'une sonde, les lignes "sautent" sur la totalité de l'écran.	Vérifiez si les piles installées dans la sonde fonctionnent.
	Vérifiez le signal en rapprochant l'antenne inférieure de la sonde. Remarque – Les sondes émettent difficilement des signaux dans des conduites en fonte ou en fer malléable.
La distance entre la sonde et les deux pôles n'est pas égale.	La sonde est peut-être inclinée ou il peut y avoir une transition entre la fonte et le plastique.
L'appareil se comporte de manière irrégulière et ne se met pas hors tension.	Les piles sont peut-être plates. Remplacez-les par des piles neuves et mettez l'appareil sous tension.
L'affichage est complètement sombre ou clair à la mise sous tension.	Essayez de mettre l'appareil hors tension, puis à nouveau sous tension.
	Réglez le contraste de l'affichage.
Absence de son.	Réglez le niveau du son dans le menu du son.
Le Scout ne saisit pas le signal.	Assurez-vous que le mode et la fréquence corrects sont sélectionnés.
Le Scout ne se met pas sous tension.	Contrôlez l'orientation des piles. Assurez-vous que les piles sont chargées. Vérifiez si les contacts des piles sont bons. Un fusible de l'appareil est peut-être grillé (cela requiert une intervention du service).

15. Caractéristiques

Poids avec les piles.....	1,4 kg
Poids sans les piles.....	1 kg
Dimensions	
Longueur.....	28,5 cm
Largeur.....	11,0 cm
Hauteur.....	56,0 cm
Source d'alimentation	
4 piles alcalines C de 1,5 V (ANSI/NEDA 14A, IEC LR14) ou piles rechargeables NiMH ou NiCad de 1,2 V	
Puissance nominale : 6 V, 550 mA	
Environnement de fonctionnement	
Température.....	20°C à 50°C
Humidité.....	5% à 95% RH
Température de stockage.....	-20°C à 60°C
Fréquences standard	
Sonde.....	512 Hz, 640 Hz, 874 Hz, 33 kHz
Suivi de ligne actif.....	512 Hz, 8 kHz, 33 kHz
Suivi de ligne passif.....	60 Hz, 50 Hz

Réglages par défaut

Les réglages par défaut du localisateur sont les suivants :

- Unités de profondeur = Mètre et centimètre
- Volume = 1 (un réglage au-dessus du silencieux)
- Rétroéclairage = Auto

Équipement standard

- . Localisateur Scout
- . Marqueurs et support de mât
- . 2 modes d'emploi : États-Unis + Europe
- . 4 piles C (alcalines)
- . PAL vidéo

Équipement en option

- . Marqueurs de pôle/sonde supplémentaires
- . Émetteur NaviTrack
- . Pince d'induction
- . Sonde sur pile
- . Flotteur

16. Légendes des icônes

ICONES DE L'AFFICHAGE

- Fréquence de la sonde
- Fréquence de suivi actif
- Fréquence de suivi (CA) passif
- Niveau du son
- Niveau des piles
- Profondeur
- Indicateur d'angle horizontal
- Puissance du signal
- Menu Outils
- Contraste de l'affichage
- Rétroéclairage

ICONES DU PAVE NUMERIQUE

- Navigation dans le menu
- Réinitialisation de la tonalité audio/sélection d'une option de menu
- Navigation dans le menu/profondeur forcée (appui de 3 sec.)
- Touche de mise sous/hors tension
- Touche de menu
- Touche de mode sonde/localisation/fréquence
- Touche de commande du volume

NL

NaviTrack Scout Gebruiksaanwijzing

Vertaling van de oorspronkelijke gebruiksaanwijzing



ALGEMENE VEILIGHEIDSINFORMATIE

WAARSCHUWING! Lees en begrijp alle instructies. Het niet naleven van al de onderstaande instructies kan resulteren in elektrische schokken, brand en/of ernstige verwondingen.

**LEES DE INGESLOTEN VEILIGHEIDSINSTRUCTIES.
BEWAAR DEZE INSTRUCTIES!**

De EG-conformiteitsverklaring (890-011-320.10) zal zo nodig als een afzonderlijk boekje bij deze gebruiksaanwijzing worden geleverd.

Batterijvoorzorgen:

- **Gebruik uitsluitend batterijen van het voorgeschreven type en de voorgeschreven maat. Combineer geen verschillende batterijtypes (bijv. gebruik geen alkali- samen met herlaadbare batterijen).** Combineer geen gedeeltelijk ontladen met volledig geladen batterijen (d.w.z. combineer geen oude met nieuwe batterijen).
- **Herlaad de batterijen met de door de batterijfabrikant gespecificeerde laders.** Bij gebruik van een ongeschikte lader kan de batterij oververhit raken en barsten.
- Werp lege batterijen steeds op de voorgeschreven manier weg. Blootstelling aan hoge temperaturen kan ervoor zorgen dat de batterij ontploft, dus werp ze nooit in het vuur. Bepaalde landen hebben wetten inzake de verwerking van lege batterijen. Gelieve de geldende wetten steeds na te leven.

1. Gebruik en onderhoud van de Scout

- **Gebruik de apparatuur uitsluitend zoals voorgeschreven.** Gebruik de Scout niet tenzij u de juiste opleiding hebt ondergaan en de gebruiksaanwijzing hebt gelezen.
- **Dompel de antenne's nooit onder in water.** Op een droge plaats bewaren. Deze maatregelen verkleinen het risico van elektrische schokken en schade aan het toestel.
- **Controleer het toestel op beschadigde onderdelen of andere condities die de werking van de Scout negatief kunnen beïnvloeden.** Als het instrument beschadigd is, laat het dan herstellen alvorens het te gebruiken. Heel wat ongevallen worden veroorzaakt door slecht onderhouden gereedschap.
- **Gebruik uitsluitend accessoires die door de fabrikant worden aanbevolen voor de Scout.** Accessoires die geschikt zijn voor het ene instrument kunnen gevaarlijk zijn wanneer ze op een ander instrument worden gebruikt.
- **Houd de handvatten droog en schoon; vrij van olie en vet. Op die manier hebt u meer controle over het instrument.**
- **Beschermen tegen overmatige hitte.** Het product moet uit de buurt worden gehouden van warmtebronnen zoals radiatoren, warmeluchtroosters, kachels of andere toestellen (met inbegrip van versterkers) die warmte genereren.

1.1 Onderhoud

- **Het instrument mag uitsluitend aan diagnoses worden onderworpen door gekwalificeerd onderhoudspersoneel.** Onderhoud uitgevoerd door onbevoegd personeel kan resulteren in lichamelijke letsels.
- **Reinig het instrument naar behoren.** Verwijder de batterijen alvorens het instrument te reinigen. Gebruik geen vloeibare of spuitbusreinigingsmiddelen. Gebruik een vochtige doek.
- **Voer een veiligheidscontrole uit.** Vraag de onderhoudstechnicus na uitvoering van onderhoud of herstellingen aan dit product een aantal veiligheidscontroles uit te voeren om na te gaan of het product correct werkt.
- **Schade aan het product die onderhoud vereist.** Verwijder de batterijen en raadpleeg gekwalificeerd onderhoudspersoneel wanneer één van de volgende omstandigheden zich voordoet:
 - Wanneer er vloeistof werd gemorst in het product of wanneer er voorwerpen in het product zijn gevallen.
 - Als het product niet normaal werkt hoewel de gebruiksaanwijzing werd nageleefd.
 - Als het product is gevallen of op welke wijze dan ook beschadigd is geraakt.
 - Wanneer het product een duidelijke prestatiewijziging vertoont.

Gelieve in eventuele briefwisseling alle informatie op het naamplaatje van uw instrument te vermelden, met inbegrip van het modelnummer en het serienummer.

1.2 Belangrijke opmerking

De Scout is een diagnose-instrument dat elektromagnetische velden detecteert die worden gegenereerd door voorwerpen onder de grond. Het is bestemd om de gebruiker te helpen bij het lokaliseren van die voorwerpen door eigenschappen van de velden te herkennen en ze op het scherm weer te geven. Aangezien elektromagnetische velden vervormd en gestoord kunnen zijn, is het belangrijk de plaats van ondergrondse voorwerpen te verifiëren alvorens te starten met graven.

In dezelfde zone kunnen er zich verschillende leidingen bevinden. Leef steeds de plaatselijke richtlijnen na.

Het fysiek blootleggen van de leiding is de enige manier om haar aanwezigheid, plaats en diepte te verifiëren.

Ridge Tool Co., haar dochterondernemingen en leveranciers kunnen niet aansprakelijk worden gesteld voor lichamelijke letsels of directe, indirecte, incidentele of gevolgschade opgelopen door het gebruik van Scout. In dezelfde zone kunnen er zich verschillende leidingen bevinden. Leef steeds de plaatselijke richtlijnen na.

2. Inleiding tot de Scout

De ScoutTM-sonde en -leidingplaatsbepaler maakt gebruik van multidirectionele antennes en een geavanceerde gegevensverwerking om het zoeken van sondes en het traceren van ondergrondse leidingen snel, accuraat en gemakkelijk te maken.

2.1 Welke zijn zijn unieke functies?

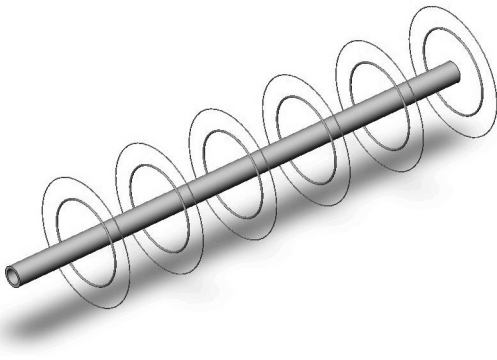
Scouts geavanceerde technologie verschaft verschillende unieke functies die conventionele plaatsbepalers niet hebben:

- Multidirectioneel antennesysteem.
- Microkaartweergave.
- Indicatie van verschillende signaalkenmerken.

2.2 Wat doet hij ?

De Scout wordt gebruikt boven de grond voor het detecteren van elektromagnetische velden die worden gegenereerd door ondergrondse of verborgen leidingen (elektrische geleiders zoals metalen draden of buizen) of sondes (actief uitzendende bakens). Wanneer de velden eenvoudig en ongestoord zijn, zijn de gedetecteerde velden representatief voor het ondergrondse object. De Scout lokaliseert geleidende voorwerpen die een veld uitzenden; hij detecteert de ondergrondse voorwerpen niet rechtstreeks.

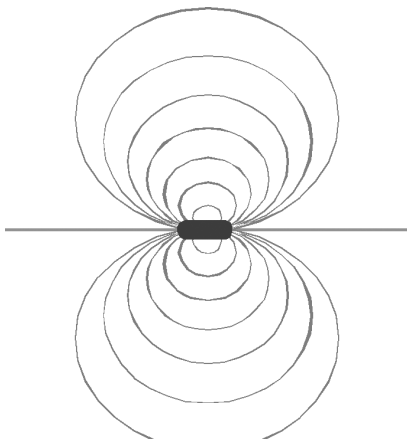
Er bestaan twee soorten elektrische velden gegenereerd door ondergrondse voorwerpen: het eerste type wordt gegenereerd door lange geleiders zoals stroomvoerende kabels, inspectiecameraduwkabels of buizen. Deze voorwerpen genereren een lang cilindervormig veld en dit wordt vaak "leidingtracering" genoemd.



Het door een bekrachtigde leiding gegenereerde veld.

(Passieve, AC-tracering is gewoon een speciaal geval waarbij de leiding "bekrachtigd" is met elektrische stroom.)

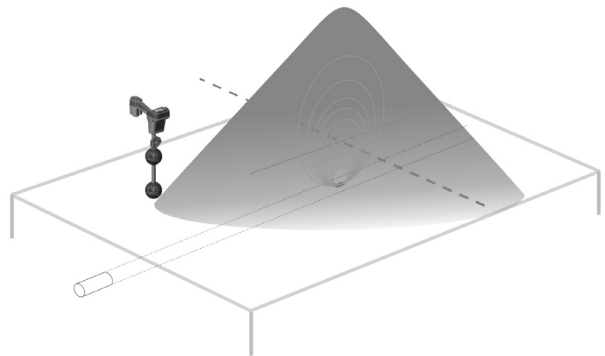
Het tweede type, namelijk sondes (ook wel zenders, bakens of actieve leidingsondes genoemd), zenden een anders gevormd veld uit en de Scout is geprogrammeerd om dat type van veld te meten en weer te geven. De complexere veldvorm van een sonde wordt een dipoolveld genoemd en is hetzelfde als het veld dat wordt gegenereerd door een staafmagneet en door onze eigen planeet.



Het door een sonde gegenereerde dipoolveld.

Elektromagnetische velden hebben drie (3) belangrijke eigenschappen: frequentie, sterkte en hoek (richting). In tegenstelling tot conventionele plaatsbepalers, die alleen sterkte kunnen meten in de richting van de afzonderlijke antenne(s), meet de Scout zowel signaalsterkte als veldhoeken in drie dimensies (3D). Die geavanceerde eigenschap maakt de kaartweergave mogelijk. De ervaren operator kan deze bijkomende informatie gebruiken om het traceringsproces te versnellen en om te helpen bij het bepalen van complexe lokaliseringsituaties. Anderzijds kan een occasionele of beginnende gebruiker gemakkelijk lokaliseren op basis van de signaalsterkte alleen.

De voornaamste plaatsbepalingsregel voor de Scout luidt: maak het getal groot! – Het maximaliseren van de signaalsterkte is de voornaamste plaatsbepalingsmethode.



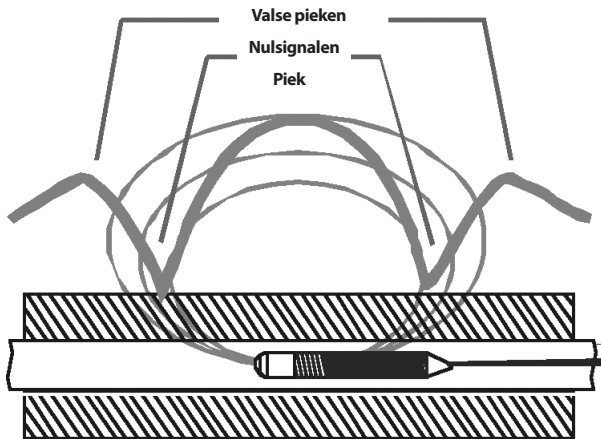
Voorbeeld van hoe de Scout vlak boven de sonde piekt.

Zowel bij leidingtracering als bij het opsporen van een sonde doet de maximale signaalsterkte zich boven het doel voor. De diepte wordt weergegeven wanneer u zich boven het doel bevindt.

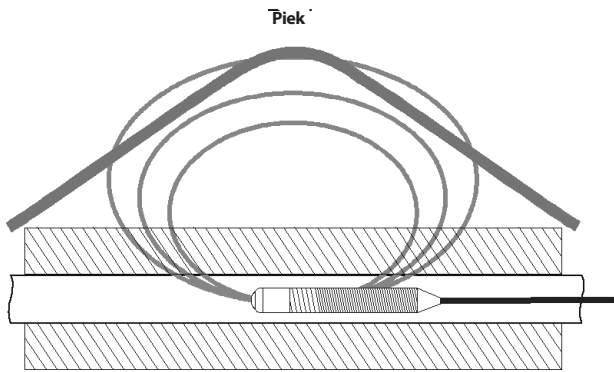
2.3 Wat is het multidirectionele voordeel van de Scout?

Het bekijken van het complete signaal met multidirectionele antennes biedt duidelijke voordelen:

1. Het signaal wordt altijd sterker naarmate de gebruiker dichter bij het doel komt.
2. Elimineert nulsignalen en "valse pieken". Het signaal van conventionele plaatsbepalers heeft een piek, vervolgens een nulsignaal en dan een kleinere piek. Dat kan de operator in de war brengen, vooral wanneer hij een kleinere piek interpreteert als het doel (gekend als "valse" pieken). De Scout ziet slechts één piek om de gebruiker naar het doel te leiden.



Sondesignaal zoals het wordt "gezien" door een conventionele plaatsbepaler. Hoofdpijk in het midden en twee valse pieken buiten de twee nulsignalen.



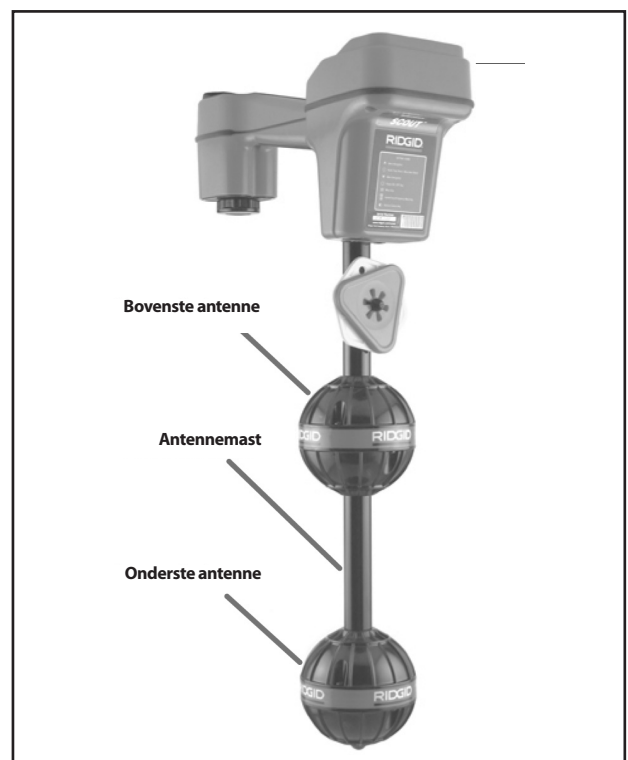
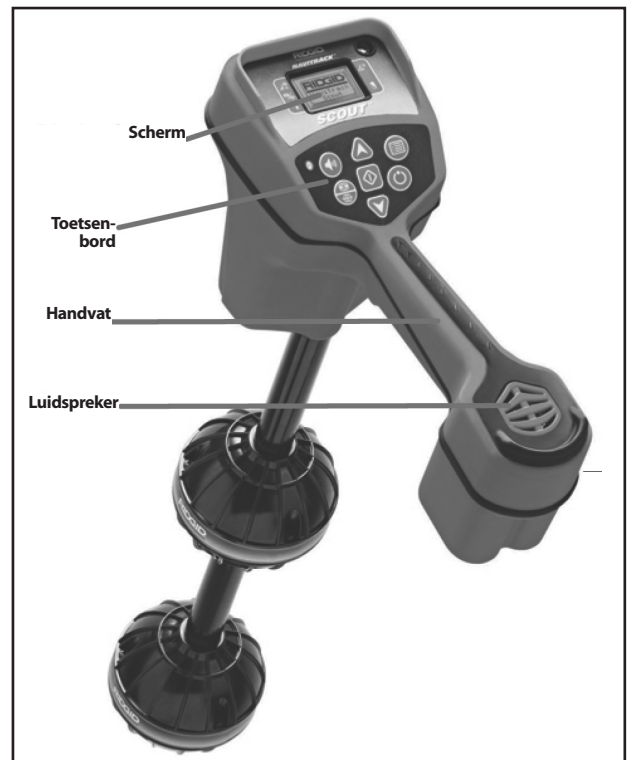
Sondesignaal zoals het wordt "gezien" door de Scout. Slechts één piek, geen nulsignalen.

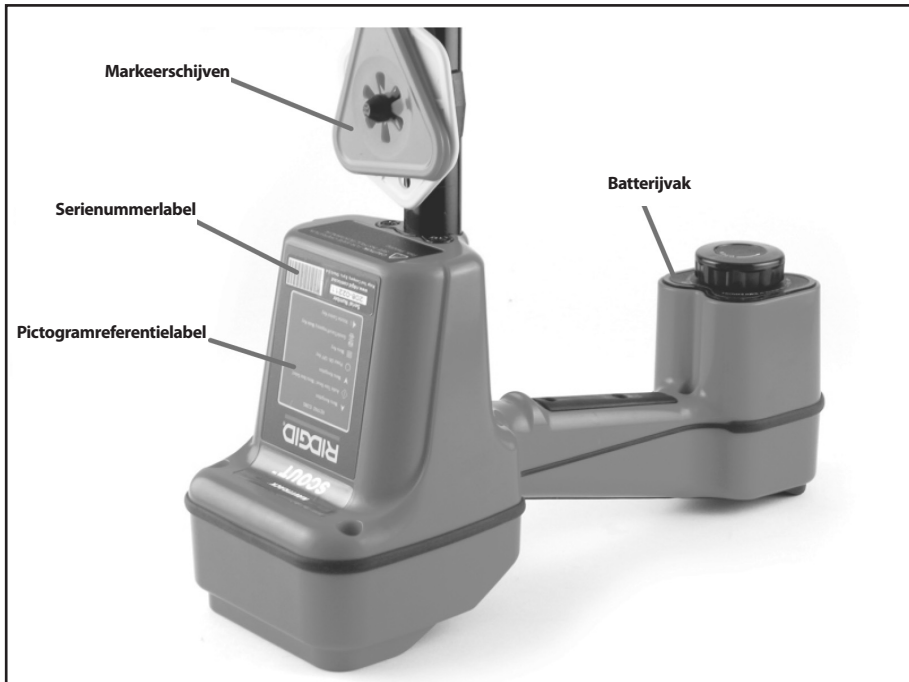
- De manier waarop het instrument wordt vastgehouden heeft geen invloed op de signaalsterkte. De gebruiker kan het doel benaderen vanuit om het even welke richting en hoeft de ligging van de buis of kabel niet te kennen.
- Bijkomende hulpmiddelen voor het uitvoeren van "moeilijke" plaatsbepalingen zijn onder meer een grafische microkaart en een hoekindicator om de signaalkenmerken te helpen interpreteren.

2.4 Wat is het voordeel van de microkaart?

De kaart stelt de kenmerken van het signaal grafisch voor. Ze biedt een soort vogelperspectief van het ondergrondse signaal, dat grafisch op het scherm wordt voorgesteld. Ze wordt gebruikt als gids voor het opsporen van ondergrondse leidingen en kan worden gebruikt voor het zoeken van sondes. Ze kan ook worden gebruikt om meer informatie te krijgen over complexe plaatsbepalingen. Wanneer hij over de grond wordt bewogen, gaat de Scout over het signaal heen dat door de ongrondse voorwerpen wordt uitgezonden. Dat stelt de gebruiker in staat een visualisering van het signaal op het scherm te zien en die vervolgens te markeren. Conventionele plaatsbepalers kunnen het ondergrondse signaal niet in kaart brengen aangezien hun antennes niet de volledige vorm van het signaal kunnen zien.

3. Scout-onderdelen

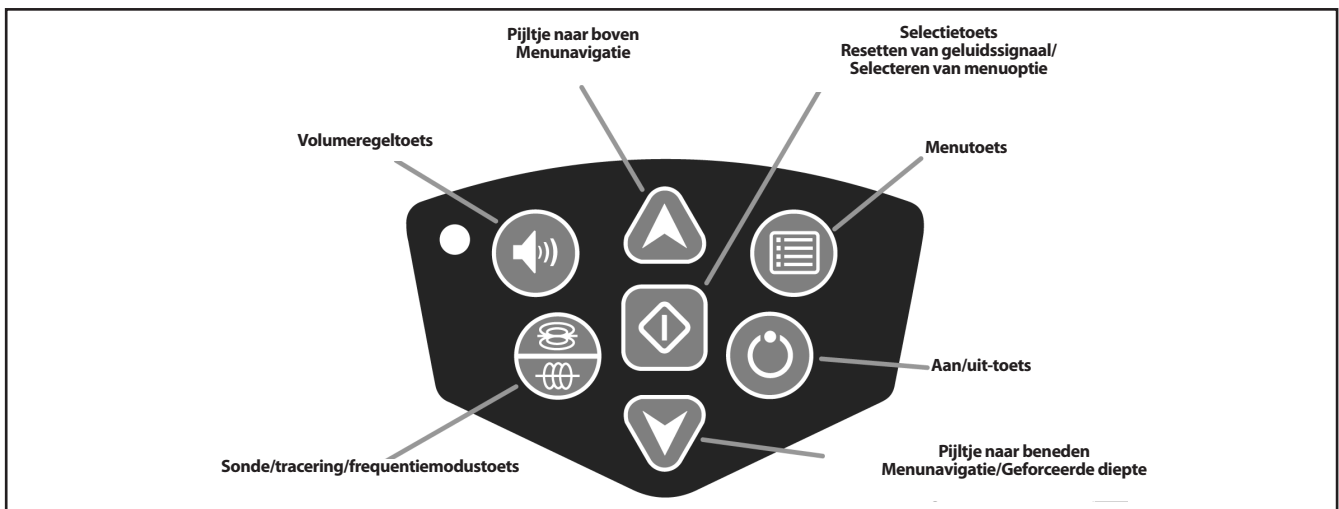




Scherm



Toetsenbord



Volumeregultoets – opent en sluit het geluidsniveaumenu.

Sonde/tracering/frequentiemodustoets – schakelt actieve frequenties en functies.

Pijltje naar boven – om naar boven te gaan in een menu.

Selectietoets – om de benadrukte optie in een open menu te selecteren.

Pijltje naar beneden – om naar beneden te gaan in een menu.

Menu-toets – opent/sluit het menu.

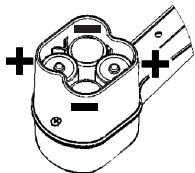
Aan/uit-toets – om de Scout in of uit te schakelen.

4. Aan de slag

4.1 Installeren/vervangen van de batterijen

Om de batterijen in de Scout te installeren, legt u het instrument ondersteboven. Draai de knop op het batterijdeksel naar links. Trek vervolgens aan de knop om het deksel te openen. Installeer de batterijen zoals aangegeven op het schema binnenin het batterijvak en zorg ervoor dat ze volledig contact maken.

Breng het deksel weer aan en draai de knop naar rechts terwijl u er lichtjes op drukt om het deksel te vergrendelen. Het batterijdeksel kan worden aangebracht in verschillende richtingen.



Wanneer de Scout wordt ingeschakeld, worden de batterijen eerst gecontroleerd. Tijdens die paar seconden geeft de batterij-indicator "leeg" aan.

⚠ WAARSCHUWING


Zorg ervoor dat er geen rommel in het batterijvak terechtkomt. Vuil in het batterijvak kan ervoor zorgen dat de batterijcontacten worden kortgesloten, waardoor de batterijen snel ontladen, wat kan leiden tot elektrolytlekken of brandgevaar.

4.2 Werkingstijd

De normale werkingstijd voor de Scout-plaatsbepaler bij gebruik van alkalibatterijen schommelt tussen 12 en 24 uur, afhankelijk van factoren zoals geluidsvolume, en hoe vaak de achtergrondverlichting brandt. Een andere factor die de werkingstijd beïnvloedt is de samenstelling van de batterij (veel van de nieuwe krachtige batterijen, zoals de "Duracell® ULTRA", gaan 10%-20% langer mee dan conventionele alkalibatterijen in veeleisende toepassingen). Gebruik bij lage temperaturen heeft ook een negatieve invloed op de levensduur van de batterijen.

Om energie te besparen, wordt de Scout automatisch uitgeschakeld na 1 uur zonder het indrukken van een toets. Schakel het instrument gewoon weer in om het te gebruiken.

4.3 In- en uitschakelen

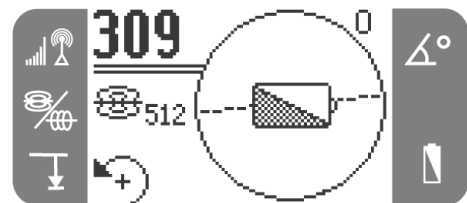
Schakel het instrument in door de aan/uit-toets  op het toetsenbord in te drukken. Het RIDGID®-logo wordt weergegeven en de softwareversie verschijnt in de rechterbenedenhoek.



Schakel het instrument uit door de aan/uit-toets  op het toetsenbord in te drukken en weer los te laten. Houd rekening met een vertraging van enkele seconden bij het in- en uitschakelen van het toestel.

4.4 Waarschuwing voor bijna lege batterijen

Wanneer de batterijen bijna leeg zijn, verschijnt er een batterijpictogram in de kaartzone op het scherm. Dat geeft aan dat de batterijen moeten worden vervangen en dat het instrument weldra zal worden uitgeschakeld.



Net voor de complete uitschakeling vindt er een onderbreekbare uitschakelsequentie plaats.

In sommige gevallen kan de spanning van herlaadbare batterijen zo snel dalen dat het toestel zonder meer wordt uitgeschakeld. Het toestel wordt uitgeschakeld en vervolgens herstart. Vervang de batterijen en schakel het toestel weer in.

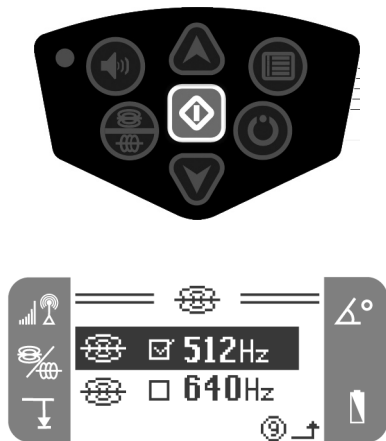
5. Instelling

Wanneer de Scout eenmaal is ingeschakeld, bestaat de volgende stap in het instellen van de frequenties die overeenkomen met de te lokaliseren apparatuur. De frequenties kunnen worden geactiveerd door ze te selecteren uit een lijst in het menu.

1. Druk op de menu-toets, selecteer een frequentie en druk op de selectietoets om ze te activeren:



2. Selecteer de frequentie die overeenkomt met die van de sonde of van de plaatsbepalingszender met behulp van de pijltjestoetsen, en druk vervolgens op de selectietoets om het vakje ernaast aan te vinken. Zie de paragraaf Menuopties voor meer informatie. Druk op de menu-toets om terug te keren naar het beginscherm.



⚠ WAARSCHUWING

Zorg ervoor dat de geselecteerde frequentie overeenkomt met de gewenste toepassing. 512 en 33 zijn beschikbaar als sonde- EN lijntraceringfrequentie. Wanneer u een sondefrequentie gebruikt voor leidingtracering of vice versa, is het mogelijk dat de Scout verkeerde diepte-informatie weergeeft.

3. Druk nu op de sonde/leidingopsporing/frequentiemodus toets om de geactiveerde frequenties en modi te overlopen. Let op de pictogrammen op het scherm om te zien in welke modus de Scout werkt.



4. Als de diepte, de automatische achtergrondverlichting of het LCD-contrast moet worden geregeld, selecteert u de betreffende optie in het tools-gedeelte van het menu en voert u de wijzigingen door met behulp van de selectietoets.



5.1 Menuopties

Sondemodus-frequenties		512 Hz 640 Hz 874 Hz 33 Hz
------------------------	--	-------------------------------------

Leidingtracering-frequenties		50 Hz (Passief) 60 Hz (Passief) 512 Hz 8 kHz 33 kHz
Tools-menu		Voet/Meter Automatische achtergrondverlichting LCD-contrast

5.2 Geluiden van de Scout

Het geluid is verbonden met het verhogen of verlagen van de signaalsterkte. De hoogte en het volume van het geluid stijgen wanneer de signaalsterkte stijgt en omgekeerd. Naarmate het signaal sterker wordt, wordt het volume hoger en luider om de operator te helpen zoeken naar de maximale signaalsterkte. Wanneer de signaalsterkte daalt, keert het geluid terug naar het basisvibrato alsof het toestel geen signaal detecteert.

De Scout heeft een automatische versterkingsfactor. Wanneer de versterkingsfactor een stap omhoog of omlaag gaat, verandert het geluid in de hogere of lagere intensiteit.

Stel het geluidsvolume in met behulp van de geluidtoets.



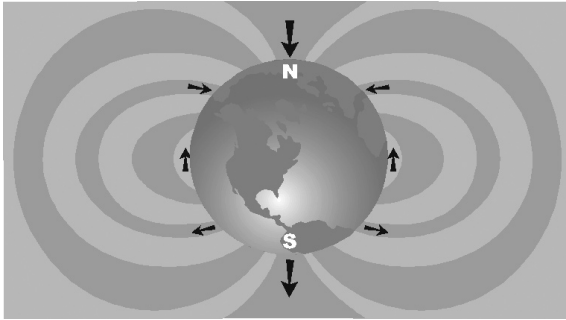
Het volume verandert bij iedere druk op de geluidtoets. U kunt ook de pijltjestoetsen gebruiken om het volume te regelen. Druk op de selectietoets om dit scherm te verlaten.



OPMERKING Een druk op de selectietoets tijdens een normale werking stelt de toonhoogte in op het gemiddelde niveau.

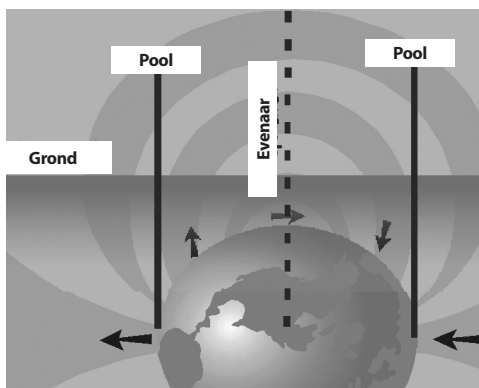
5.3 Overzicht - Begrijpen van sondes en de Scout

Sondes (ook zenders, bakens of actieve leidingsondes genoemd) genereren een elektromagnetisch veld dat sterk lijkt op het magnetisch veld dat wordt gegenereerd door de aarde.



Immers, als de aarde op haar zijde zou worden gedraaid, zou haar magnetisch veld heel erg gelijk zijn op dat van een sonde.

Als plaatsbepaler kan de Scout de vorm (hoek) van de veldlijnen van een sonde meten en de specifieke kenmerken van die lijnen identificeren. Drie belangrijke kenmerken zijn de twee **POLEN** en de **EVENAAR**. Aan de polen is de hoek van het signaal 90 graden (verticaal). Op de evenaar is hij 0 graden (horizontaal). Polen zijn welbepaalde punten in de ruimte, terwijl de evenaar de sonde volledig omgeeft. Aangezien deze specifieke kenmerken constant zijn, kunnen ze worden gebruikt om de positie van de sonde accuraat te bepalen.



De polen bevinden zich gewoonlijk daar waar conventionele plaatsbepalers “nulsignalen” zouden meten, de dode punten die zich voordoen wanneer het signaal verticaal door hun antennes gaat. Het verschil is dat Scout de polen (“nulsignalen”) kan “zien” en u kan tonen waar ze zich bevinden, **zelfs wanneer u zich er niet recht boven bevindt, en ongeacht de manier waarop Scouts antennes zijn gericht ten opzichte van het signaal.**

Dat is de reden waarom het plaatsbepalen met de Scout zoveel gemakkelijker is dan met conventionele plaatsbepalers.

De sonde situeert zich op het punt waar de evenaar precies tussen de beide polen loopt.

5.4 Lokaliseren van de sonde

De Scout kan worden gebruikt voor het lokaliseren van het signaal van een sonde (zender) in een buis, zodat de ligging van die buis kan worden bepaald boven de grond. Sondes kunnen worden aangebracht op een probleempunt in de buis met behulp van een cameraduwstang of -kabel. Ze kunnen ook doorheen de buis worden gespoeld.

In wat volgt wordt ervan uitgegaan dat de sonde zich in een horizontale buis bevindt, dat de grond ongeveer waterpas is en dat de Scout wordt vastgehouden met de antennemast verticaal.

BELANGRIJK Signaalsterkte is de hoofdfactor bij het bepalen van de positie van de sonde. Voor een accurate positiebepaling MOET u ervoor zorgen dat u de maximale signaalsterkte hebt, alvorens een plaats te markeren om te graven.

5.4.1 Bij het lokaliseren van een sonde dient u als volgt te werk te gaan:

- **Alvorens** de sonde in de leiding aan te brengen, gebruikt u de Scout om na te gaan of de sonde werkt en of de Scout haar signaal ontvangt.
- Eenmaal de sonde in positie is en uitzendt, activeert u de sonde en stelt u de frequentie van de sonde in op de Scout. Ga na of hij een sondemoduspictogram weergeeft.

⚠ WAARSCHUWING

Zorg ervoor dat de geselecteerde frequentie overeenkomt met de gewenste toepassing. 512 en 33 zijn beschikbaar als sonde-EN leidingtraceringfrequentie. Wanneer u een sondefrequentie gebruikt voor leidingtracering of vice versa, is het mogelijk dat de Scout verkeerde diepte-informatie weergeeft.

- Ga naar de vermoedelijke sondepositie. Als u de richting van de buis helemaal niet kent, duwt u de sonde best niet te ver in de leiding (~5 m van de ingang is een goed uitgangspunt).

5.4.2 Gebruik vervolgens een van de volgende methoden om de sonde te lokaliseren:

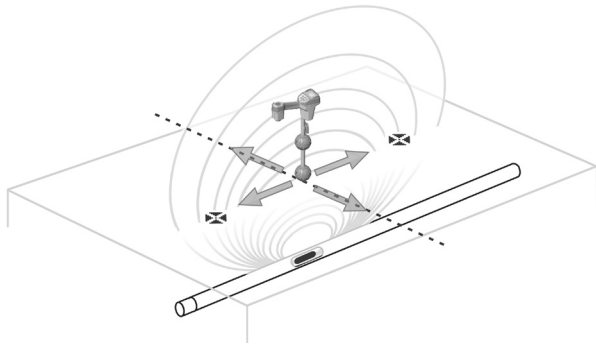
Methode 1 – Maximaliseer de signaalsterkte

1. Houd de Scout zo vast dat de antenne van uw lichaam weg wijst. Zwaai de antenne langzaam in de vermoede richting van de sonde terwijl u de signaalsterkte in het oog houdt en luistert naar het geluid. Het signaal zal het hoogst zijn wanneer de antenne recht naar de sonde wijst.
2. Laat de Scout zakken tot zijn normale gebruikspositie (mast verticaal) en wandel in de richting van de sonde. Naarmate u de sonde nadert, zal de signaalsterkte toenemen evenals het volume en de hoogte van het geluid. Gebruik de signaalsterkte en het geluid om het **signaal te maximaliseren.**



3. Eenmaal het maximum gevonden, houdt u de Scout dicht bij de grond boven de piek en beweegt u hem in alle richtingen om na te gaan of het signaal afzwakt.

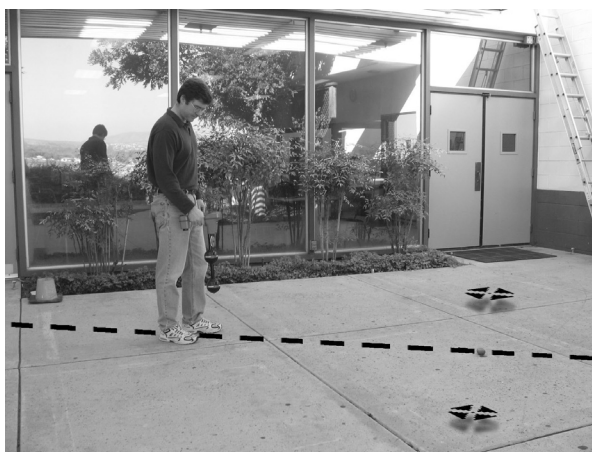
OPMERKING Het hoogste signaal telt. De evenaar kan zich elders bevinden dan het hoogste signaal als de sonde gekanteld is (zie de paragraaf Gekantelde sonde).



Methode 2 – Eerst de evenaar volgen en daarna maximaliseren

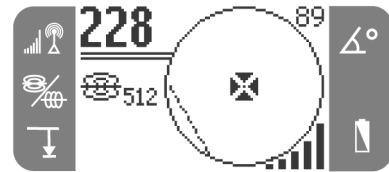
1. Werkt het best in open zones zonder hindernissen, wanneer men ervan uitgaat **dat de sonde horizontaal ligt**. Beweeg de antenne heen en weer en loop vervolgens in de richting van de maximale signaalsterkte zoals bij methode 1.
2. Wacht tot de Scout een **gelijkmatige** evenaarlijn weergeeft die centraal op het scherm staat. Volg de evenaar in de richting van een stijgende signaalsterkte. Wanneer de maximumsignaalsterkte bereikt is, beweegt u de Scout langs de evenaar lijn **en** gaat u na of hij zich in **alle** richtingen op de piek bevindt.

Wanneer de sonde gekanteld is, dient u het maximumsignaal te zoeken, aangezien dat de plaats is waar de sonde zich bevindt.



Verifiëren van de plaatsbepaling.

1. Op het punt van de maximale signaalsterkte, en met de antenne verticaal, beweegt u de Scout loodrecht op de evenaarlijn op het scherm. Wanneer het poolpictogram verschijnt, verplaatst u de Scout tot het poolpictogram gecentreerd is op het dradenkruis **met de onderste antennebal op de grond. Plaats een van de driehoekige oranje markeringen op de grond op die plaats.**



Weergave wanneer Scout zich op de pool bevindt.

2. Beweeg de Scout vervolgens over de evenaarlijn naar de andere pool. Centreer het dradenkruis op het tweede poolpictogram en markeer de positie zoals hierboven.
3. Ga terug naar de **maximale signaalsterkte**. Markeer dat punt op de grond met de gele zeshoekige markeerschijf. Beweeg de onderste antennebal langzaam weg van de gele markeerschijf in alle richtingen terwijl u de weergegeven signaalsterkte in het oog houdt. De signaalsterkte moet het hoogst zijn recht boven de sonde.
4. Ga na of alle drie de markeringen op één lijn liggen en of de gele zeshoekige markering zich ongeveer halweg tussen de poolmarkeringen bevindt.

Als de gele markering zich niet in het midden bevindt, ga dan kijken in het hoofdstuk over gekantelde sondes.

BELANGRIJK Wanneer u zich op de evenaar bevindt, betekent dat NIET dat u zich boven de sonde bevindt! Denk eraan dat de signaalsterkte de hoofdfactor is bij het bepalen van de positie van de sonde. U moet zich op het punt van de maximale signaalsterkte bevinden.

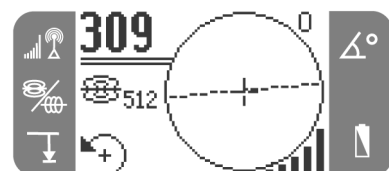
Maak voor de grootst mogelijke accuraatheid gebruik van de waterpas. De antenne MOET verticaal staan bij het markeren van de polen en de evenaar, anders zijn hun posities niet correct!

5.5 Meten van diepte

De Scout meet diepte door de sterkte van het signaal in de onderste antenne te vergelijken met de bovenste antenne.

Diepte wordt gemeten wanneer de onderste antenne precies boven de signaalbron de grond raakt.

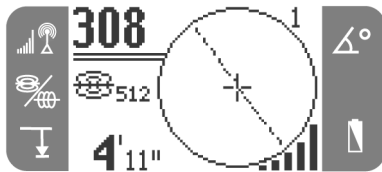
1. Om de diepte te meten zet u de plaatsbepaler op de grond, precies boven de sonde of de leiding. Zorg ervoor dat de hoekindicator 5 graden of minder afleest. Draai het instrument vervolgens langzaam in de richting van de pijl in de **linkerbenedenhoek** van het scherm tot de diepte verschijnt.



De waterpas is nuttig bij het meten van diepte om na te gaan of de antennemast wel verticaal staat.

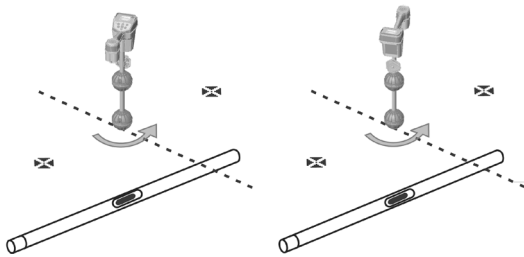
Om het signaal te maximaliseren en een nauwkeurigere dieptemeting te verkrijgen, moet de Scout worden gedraaid om de antenne uit te lijnen met het signaal.

2. De diepte wordt weergegeven in de linkerbenedenhoek.



3. **Geforceerde dieptemeting** - Als de hoekindicator meer dan 5 graden afleest, geeft de Scout geen diepte weer. Druk op de toets met het pijltje naar beneden en houd die ingedrukt. Op die manier wordt de dieptemeting geforceerd op voorwaarde dat het mogelijk is de diepte te meten (zie het hoofdstuk over gekantelde sondes).

Ga bij het controleren van de diepte steeds als volgt te werk: voer een meting uit, draai de Scout 180 graden (1/2 cirkel) en voer nog een meting uit. Zorg ervoor dat de onderste bal op dezelfde positie op de grond blijft en dat de mast verticaal staat. Als de dieptelezingen meer dan ongeveer 10% van elkaar verschillen is er sprake van een storing en moet de dieptemeting in twijfel getrokken worden.



5.6 Bedieningstips voor het lokaliseren van een sonde

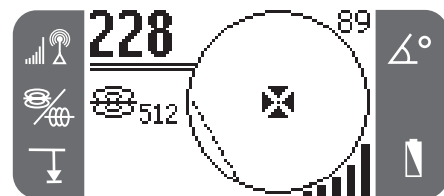
- Gebruik het geluid indien mogelijk om de Scout de maximale signaalsterkte te helpen zoeken.
- Wanneer de evenaar wordt overschreden en het signaal niet maximaal is, dient u de evenaar te volgen tot de hoogste signaalsterkte. Het feit dat u de evenaar van de sonde hebt gevonden (de streepjeslijn op het scherm) betekent NIET dat u de sonde hebt gevonden. Het punt van de maximale signaalsterkte moet ook worden gevonden. Als de sonde steil gekanteld is, ligt de evenaar NIET recht boven de sonde en is de afstand van de sonde tot elk van beide polen niet gelijk. Als de sonde gekanteld is, dient u het signaal te maximaliseren.
- U dient het punt van de maximale signaalsterkte altijd te bevestigen. Controleer wat u ziet op de kaart, tenzij u er zeker van bent dat aan al de gestelde voorwaarden werd voldaan. De kaart gaat uit van de volgende omstandigheden:
 1. De grond is waterpas.
 2. De sonde is waterpas.
 3. De Scout-plaatsbepaler bevindt zich boven grondniveau.
 4. De Scout-plaatsbepaler wordt ongeveer verticaal gehouden, met de antennemast recht naar beneden wijzend.

Als die omstandigheden niet of niet allemaal kloppen, dient u scherp te letten op de maximale signaalsterkte. In het algemeen geldt het volgende: als de bovengenoemde omstandigheden kloppen en de Scout zich binnen ongeveer twee "diepten" van de signaalbron bevindt, is de kaart bruikbaar en accuraat. Houd daar rekening mee wanneer u de kaart gebruikt indien het doel of de signaalbron heel ondiep zit. Het bruikbare zoekgebied op basis van de kaart kan klein zijn als de sonde uiterst ondiep zit.

5.7 Gekantelde sondes

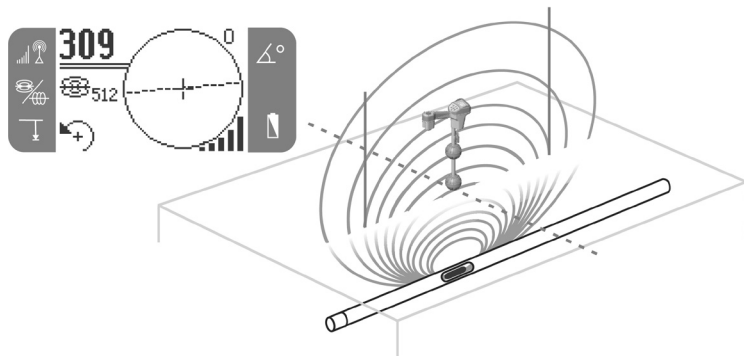
Als de sonde gekanteld is, zal één pool zich dicht bij de sonde bevinden en de andere verder weg, zodat de sonde zich niet meer precies halfweg tussen de beide polen bevindt. De signaalsterkte van de dichtstbijgelegen pool wordt veel groter dan die van de verder afgelegen pool. In het extreme geval waarin de sonde helemaal verticaal komt te liggen, verplaatst een pool zich naar een punt recht boven de sonde en die pool is dan ook het punt van de maximale signaalsterkte. De andere pool 'ziet' de Scout niet. Dus zelfs wanneer de sonde verticaal ligt, bijvoorbeeld wanneer ze in een breuk in de leiding of in ondergrondse tank terecht is gekomen, kan ze nog altijd worden gelokaliseerd.

Wat u ziet op het scherm is een pool van maximale signaalsterkte wanneer de sonde verticaal ligt.

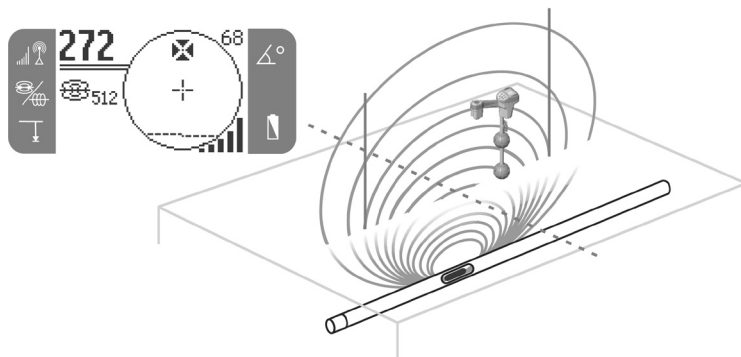


De multidirectionele antennes maken het mogelijk de diepte te meten zelfs wanneer de sonde gekanteld is. In een dergelijk geval moet de geforceerde dieptemeting worden gebruikt (zie Meten van diepte).

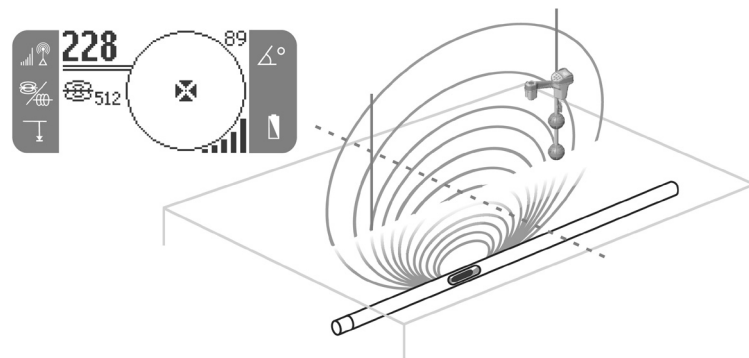
Microkaart - Voorbeelden – Sondemodus



Scout op de evenaar



Scout verlaat de evenaar en nadert de pool



Scout op de pool

6. Een leiding traceren met Scout

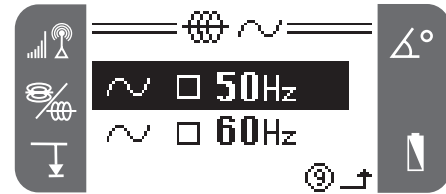
De Scout kan ook worden gebruikt om de loop van een leiding of buis na te gaan zodat de grond erboven kan worden gemarkeerd. Deze functie dient om schade aan ondergrondse leidingen te voorkomen bij het graven of om leidingen bloot te leggen voor herstelling of vervanging. De Scout kan bekrachtigde leidingen lokaliseren met verschillende frequenties of hij kan passief worden gebruikt voor het aftasten van de bodem naar lange signaaldragende geleiders.

Ondergrondse leidingen worden bekrachtigd met een plaatsbepalingszender. Het actieve signaal wordt dan opgespoord met behulp van een ontvanger zoals de Scout.

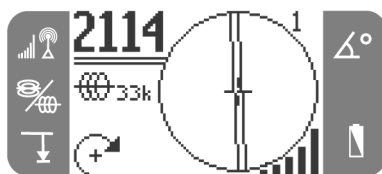
1. Bevestig de plaatsbepalingszender aan de leiding volgens de instructies van de fabrikant.

De term "zender" is een algemene term voor alles wat een lokaliseerbaar signaal uitzendt. Hij wordt gebruikt voor een sonde maar ook voor het systeem dat wordt gebruikt om een kabel of een buis te bekrachtigen.

2. Stem de op de zender gebruikte frequentie overeen met de frequentie van de Scout. Ga na of hij een leidingtracingpictogram ~ weergeeft. Druk op de hoofdmenu-toets om terug te keren naar het lokaliserings scherm.



- Het is raadzaam bij het begin van de tracersing de signaalsterkte te observeren om te zien of ze daalt wanneer de Scout van de zender weg wordt bewogen. Wijs de mast naar de draden van de zender zelf bij gebruik van de inductieve modus. Boven de leiding moet hij pieken en langs weerszijden ernaast moet hij dalen. Als de signaalsterkte en de lijnen op het scherm NIET overeenkomen, is het mogelijk dat het signaal gestoord is.
- Tijdens het opsporen wordt de loop van de buis of kabel op het scherm weergegeven met 2 volle lijnen. Wanneer de lijnen centraal worden weergegeven, bevindt de Scout zich precies boven de ondergrondse leiding. Als de lijnen naar links of rechts neigen, beweegt u de Scout om ze weer in het midden te krijgen. Het vanuit een leiding uitgezonden signaal is het sterkst vlak boven die leiding. Als dat niet het geval is, is het signaal gestoord.



OPMERKING Bij gebruik van een leidingtracersingsfrequentie zijn er twee lijnen op het scherm. Bij gebruik van een sondefrequentie wordt de evenaar weergegeven als een enkelvoudige lijn.

VOORZICHTIG Kijk uit voor signaalinterferentie die tot onnauwkeurige aflezingen kan leiden. Dieptemetingen moeten worden beschouwd als schattingen en de werkelijke diepte moet worden nagegaan door de leiding fysiek bloot te leggen alvorens het graven te starten.

- Het is raadzaam bij het begin van de tracersing de signaalsterkte te observeren om te zien of ze daalt wanneer de Scout van de zender weg wordt bewogen. Wijs de mast naar de draden van de zender zelf bij gebruik van de inductieve modus. Boven de leiding moet hij pieken en langs weerszijden ernaast moet hij dalen. Als de signaalsterkte en de lijnen op het scherm NIET overeenkomen, is het mogelijk dat het signaal gestoord is.

6.1 Tracering van een passieve AC-leiding

In de passieve modus detecteert de Scout wisselstroom, of AC-velden. Ingegraven stroomleidingen genereren normaal geen traceerbaar signaal tenzij er stroom door de kabels vloeit. Bijvoorbeeld kabels van uitgeschakelde straatlampen zijn moeilijk passief te traceren.

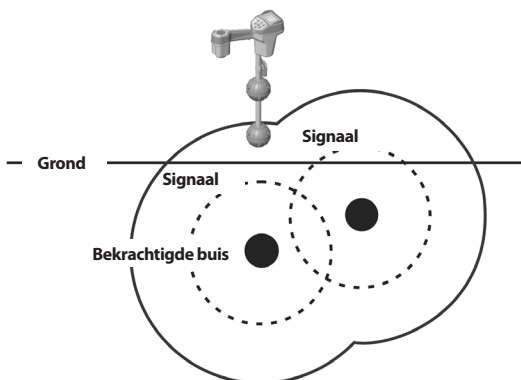
- Selecteer een passieve AC-tracersingsfrequentie met het passieve leidingtracerepictogram ~.
- De Scout heeft twee (2) passieve AC-tracersingsfrequenties die standaard zijn. Het zijn 50 Hz en 60 Hz.

6.2 Bedieningstips voor leidingtracersing

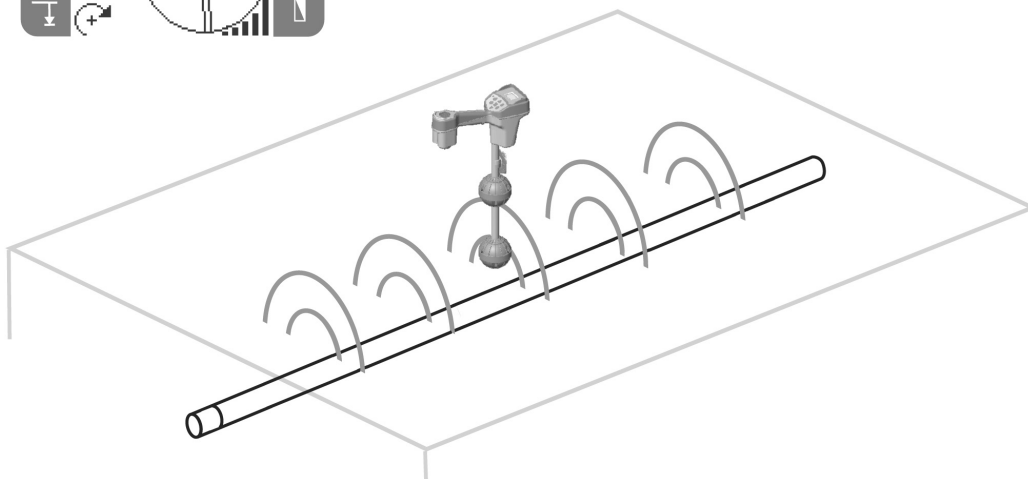
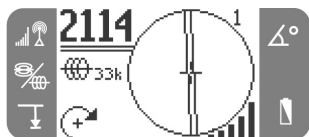
- Wanneer de lijnen zich niet centraal op de kaart bevinden, maar de signaalsterkte maximaal is, is het signaal gestoord!**
 - Probeer het eens met een lagere frequentie.
 - Plaats de aardstaaf verder uit de buurt van de te traceren leiding.
 - Zorg ervoor dat de leiding niet verbonden is met een andere leiding.
- Als de lijnen maar niet centraal op het scherm willen gaan staan of als ze onverklaarbaar over het scherm bewegen, kan dat betekenen dat de Scout geen zuiver signaal ontvangt.
 - Controleer de zender om na te gaan of hij correct werkt en naar behoren werd geaard.
 - Test de kring door de onderste antenne naar een van de draden van de zender te wijzen.
 - Ga na of de Scout en de zender met dezelfde frequentie werken.
 - Probeer verschillende frequenties, beginnend bij de laagste, tot het signaal betrouwbaar kan worden ontvangen.
- Stroom vloeit het best van de kleinste leidingen naar de grootste (minste weerstand). Een voorbeeld daarvan zou zijn het traceren van een buis van de woning naar de straat.
- Tijdens het traceren moet het signaal het sterkst zijn en de diepte het geringst op dezelfde plaats als waar de lijnen centraal over het scherm lopen. Als dat niet het geval is, kan dat wijzen op een bocht in de leiding of op de aanwezigheid van gekoppelde signalen.
- Hogere frequenties vloeien gemakkelijker uit maar kunnen nodig zijn om over stroomstoringen in traceerdraden te springen of om over isolatiekoppelstukken heen te gaan.
- Wanneer u de zender inductief gebruikt, dient u de tracersing 10/15 m verwijderd te beginnen om "luchtkoppeling" te voorkomen. Daar pikt de Scout het signaal rechtstreeks van de zender op en niet van de te traceren leiding.

Tijdens het traceren gaat de microkaart uit van de volgende omstandigheden:

- De grond is waterpas.
 - De leiding is waterpas.
 - De Scout-plaatsbepaler bevindt zich boven grondniveau.
 - De Scout-antennemast wordt ongeveer verticaal gehouden.
- Als die omstandigheden niet of niet allemaal kloppen, dient u scherp te letten op de maximale signaalsterkte. In het algemeen geldt het volgende: als de Scout zich binnen ongeveer twee "diepten" van de leiding bevindt, is de kaart bruikbaar en accuraat. Houd daar rekening mee wanneer u de microkaart gebruikt indien het doel of de leiding heel ondiep zit. Het bruikbare zoekgebied op de microkaart kan klein zijn als de leiding uiterst ondiep zit.



Microkaart - Voorbeeld – Leidingtracering



7. Tools-menu

7.1 Wijzigen van de diepte-eenheid

De Scout kan de diepte meten in voet of meter. Om van eenheid te veranderen, selecteert u het dieptepictogram in het menu Tools en drukt u op de selectietoets om om te schakelen tussen voet en meter.



7.2 Automatische achtergrondverlichting

Een geringe intensiteit van het omgevingslicht wordt gedetecteerd door een lichtsensor in de linkerbovenhoek van het toetsenbord. De achtergrondverlichting kan ook geforceerd worden door die sensor af te dekken met een duim.

De automatische LCD-achtergrondverlichting wordt in de fabriek zo ingesteld dat ze pas wordt ingeschakeld in vrij donkere omstandigheden. Dat is om de batterijen te sparen. Naarmate de batterijen afgaan, wordt de achtergrondverlichting zwakker. Wanneer de batterijen bijna leeg zijn, werkt de achtergrondverlichting zeer zwak om de batterijen te sparen.

Om de achtergrondverlichting uit te schakelen, selecteert u het gloeilamp pictogram in het menu Tools en drukt u op de selectietoets om om te schakelen tussen Auto en OFF.



7.2.1 LCD-contrast

Wanneer deze functie wordt geselecteerd, kan het LCD-contrast worden geregeld met de pijltjestoetsen.



8. Nuttige informatie

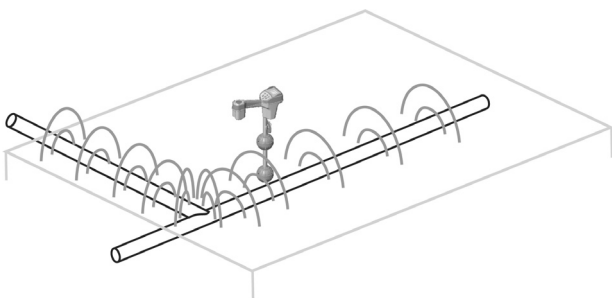
8.1 Signaalinterferentie

8.1.1 Gestoorte velden

Soms kan een enkelvoudig veld metaal of ander ferromateriaal tegenkomen in de bodem dat de veldlijnen kan storen. Het kan daarbij gaan om een andere leiding, begraven metaalafval of oude ongebruikte leidingen die de veldlijnen kunnen shunten of kortsluiten. In dat geval kan de Scout een zwakker signaal weergeven rondom het object en een sterker signaal recht er boven. Het object kan fungeren als een lens die het signaal onvoorspelbaar versterkt of verzwakt.

8.1.2 Samengestelde velden

Samengestelde velden zijn ook mogelijk. Wanneer een enkelvoudig veld een ander tegenkomt, kunnen die twee tezamen een sterker signaal genereren. Het is belangrijk voor operators daar rekening mee te houden rond "T-stukken" of rechte hoeken in de leiding, waar er zich vaak samengestelde velden voordoen.



Samengesteld veld getoond rondom een koppeling in een leiding.

8.1.3 Ruis

Met interferentiesignalen (ruis) MOET men gewoon rekening houden bij het lokaliseren van leidingen. Interferentie kan dezelfde frequentie hebben als de gebruikte frequentie, of ze kan andere frequenties vertonen. Bepaalde van de sterkste interferentiesignalen worden gegenereerd door krachtoverbrengingsapparatuur. Stroomtransformatoren, grote elektrische motoren of generatoren en leidingen kunnen de bron zijn van zeer sterke ruissignalen. Zones waar zich bijzonder veel ruis voordoet, moeten zoveel mogelijk worden vermeden.

Als de hoekweergave instabiel is en/of als de signaalniveaus niet stabiel zijn, is dat een goede indicatie van hetzij de afwezigheid van een doelsignaal

(sonde of bekrachtigde leiding), hetzij de aanwezigheid van krachtige interferentieruis.

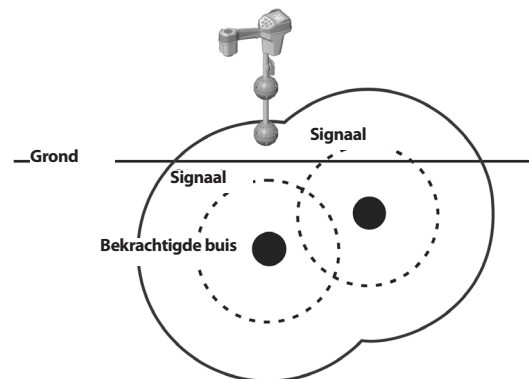
8.2 Opmerkingen over nauwkeurigheid

Diepte- en signaalsterktemetingen vereisen dat de Scout een sterk signaal ontvangt. Zoals u reeds weet wordt de Scout gebruikt boven de grond voor het detecteren van elektromagnetische velden die worden gegenereerd door ondergrondse leidingen (elektrische geleiders zoals metalen draden of buizen) of sondes (actief uitzendende bakens). Wanneer de velden eenvoudig en ongestoord zijn, zijn de gedetecteerde velden representatief voor het ondergronds object.

Als die velden gestoord zijn en er meerdere elkaar beïnvloedende velden voorkomen, zal dat ervoor zorgen dat de Scout onnauwkeurig werkt. Plaatsbepaling is geen exacte wetenschap. Het vereist dat de operator zijn beoordelingsvermogen aanspreekt en zoekt naar zoveel mogelijk extra informatie naast de aflezingen op het instrument. De Scout verschaft de gebruiker meer informatie maar het is aan de operator om die informatie correct te interpreteren. Geen enkele fabrikant van plaatsbepalingssystemen zal beweren dat een operator uitsluitend mag vertrouwen op de informatie van zijn instrument.

Omstandigheden waarin de nauwkeurigheid in twijfel moet worden getrokken:

- **Wanneer er andere leidingen in de buurt zijn.** "Overvloeiing" kan gestoorde velden veroorzaken en leidingen ongewild bekrachtigen. Gebruik indien mogelijk lagere frequenties en elimineer alle verbindingen tussen de twee leidingen.



- **Wanneer de zender inductief wordt gebruikt.** Dat zorgt voor een zwak leidingsignaal. Gebruik zoveel mogelijk een rechtstreekse verbinding.
- **Wanneer de leiding T-stukken of vertakkingen bevat.** Die kunnen vervormingen in het signaal veroorzaken.
- **Wanneer de signaalsterkte te gering is.** Een sterk signaal is noodzakelijk voor een nauwkeurige plaatsbepaling.
- **Wanneer de bodemomstandigheden variëren.** Extremen inzake vocht of droogte kunnen de metingen beïnvloeden. Bijvoorbeeld grond die verzadigd is met zout bevattend water, die je soms aantreft in kuststreken, schermt het signaal aanzienlijk af waardoor het soms zeer moeilijk te lokaliseren valt.

9. Transport en bewaring

Schakel het toestel uit alvorens het te transporteren om de batterijen te sparen.

Berg het instrument voor transport veilig op zodat het niet kan rondstuiten of worden geraakt door andere losse voorwerpen.

De Scout moet worden bewaard op een droge en koele plaats.

Wanneer de Scout voor langere tijd wordt opgeborgen, moeten de batterijen er uit worden verwijderd.

10. Installeren/gebruiken van toebehoren

De Scout wordt ook geleverd met markeringen om polen of sondes boven de grond te markeren. Er zijn twee (2) rode markeringen voor de polen en één (1) gele markering voor de sonde.

Voor bijkomende ondersteuning kunt u terecht bij uw dealer of bij een RIDGID-vertegenwoordiger.

11. Onderhoud en reiniging

⚠ WAARSCHUWING

1. **Reinig de Scout regelmatig met een vochtige doek en wat milde detergent. Dompel hem nooit onder in water.**
2. **Gebruik nooit schuursponsjes of schuurmiddelen aangezien die het display permanent kunnen beschadigen. GEBRUIK NOOIT OPLOSMIDDELEN voor het reinigen van om het even welk onderdeel van het instrument. Stoffen als aceton of andere agressieve chemicaliën kunnen de behuizing doen barsten.**

12. Lokaliseren van defecte onderdelen

Voor het oplossen van problemen verwijzen wij u naar het desbetreffende hoofdstuk achteraan in deze handleiding. Neem indien nodig contact op met Ridge Tool of uw dealer voor meer informatie en hulp.

13. Onderhoud en reparatie

⚠ WAARSCHUWING

Het instrument moet naar een onafhankelijk door RIDGID erkend onderhoudscentrum worden gebracht.

14. Oplossen van problemen

PROBLEEM	WAARSCHIJNLIJKE OORZAAK
Scout blokkeert tijdens het gebruik	Schakel het instrument uit, en vervolgens weer in. Verwijder de batterijen uit het instrument als u het niet kunt uitschakelen.
Bij het traceren "springen" er lijnen over het hele scherm in microkaart.	Dat geeft aan dat Scout het signaal niet ontvangt of dat er sprake is van interferentie.
	Ga na of de zender goed aangesloten en geaard is. Wijs de Scout in de richting van een van de draden om na te gaan of u een volledige kring hebt.
	Probeer een hogere frequentie.
	Tracht de bron van eventuele ruis te bepalen en elimineer ze.
Bij het opsporen van een sonde "springen" er lijnen over het hele scherm.	Controleer de batterijen van de sonde.
	Controleer het signaal door de onderste antenne vlak bij de sonde te houden. Opmerking – Sondes kunnen moeilijk signalen verzenden doorheen gietijzeren en smeeditijzeren leidingen.
De afstand tussen de sonde en de beide polen is niet gelijk.	De sonde kan gekanteld zijn of er kan een overgang zijn van gietijzer naar plastic.
Het instrument gedraagt zich onregelmatig, en kan niet worden uitgeschakeld.	Misschien zijn de batterijen bijna leeg. Vervang ze door nieuwe batterijen en schakel het instrument weer in.
Het display is volledig donker of volledig verlicht bij het inschakelen.	Tracht het instrument uit en vervolgens weer in te schakelen.
	Regel het LCD-contrast.
Er is geen geluid.	Regel het geluidsniveau in het geluidsmenu.
Scout ontvangt het signaal niet.	Ga na of de correcte modus en frequentie werden ingesteld.
Scout kan niet worden ingeschakeld.	Controleer of de batterijen correct werden geïnstalleerd. Ga na of de batterijen niet leeg zijn. Ga na of de batterijcontacten OK zijn. Misschien is er een zekering gesmolten (fabrieksonderhoud vereist).

15. Specificaties

Gewicht met batterijen.....	1,4 kg
Gewicht zonder batterijen.....	1 kg
Afmetingen	
Lengte.....	28,5 cm
Breedte.....	11,0 cm
Hoogte.....	56,0 cm
Voeding	
4 C-batterijen, 1,5 V alkali (ANSI/NEDA 14A, IEC LR14) of herlaadbare 1,2 V NiMH- of NiCad-batterijen	
Nominaal vermogen: 6 V, 550 mA	
Bedrijfsomgeving	
Temperatuur.....	20°C tot 50°C
Luchtvochtigheid.....	5% tot 95% RLV
Opslagtemperatuur.....	-20°C tot 60°C
Standaardfrequenties	
Sonde	512 Hz, 640 Hz, 874 Hz, 33 kHz
Actieve leidingtracing.....	512 Hz, 8 kHz, 33 kHz
Passieve leidingtracing.....	60 Hz, 50 Hz

Standaardinstellingen

De standaardinstellingen voor de plaatsbepaler zijn:
 Diepte-eenheid = meter en centimeter
 Volume = 1 (een waarde boven mute)
 Achtergrondverlichting = Auto

Standaarduitrusting

- . Scout-plaatsbepaler
- . Markeringen en masthouder
- . 2 handleidingen: US + Europa
- . 4 C-celbatterijen (Alkali)
- . Video PAL

Optionele apparatuur

- . Extra pool/sondemarkeringen
- . NaviTrack-zender
- . Inductieve klem
- . Batterijsonde
- . Vlotter

16. Pictogrammenlegenda
SCHERMPICTOGRAMMEN

	Sondefrequentie
	Actieve-traceringsfrequentie
	Passieve-traceringsfrequentie (AC)
	Geluidsniveau
	Batterijniveau
	Diepte
	Horizontale-hoekindicator
	Signaalsterkte
	Tools-menu
	LCD-contrast
	LCD-achtergrondverlichting

TOETSENBORDPICTOGRAMMEN

	Menunavigatie
	Resetten van geluidssignaal/Selecteren van menuoptie
	Menunavigatie/Geforceerde diepte (3 sec. indrukken)
	Aan/uit-toets
	Menu-toets
	Sonde/tracing/frequentiemodustoets
	Volumeregelttoets

IT

NaviTrack Scout

Istruzioni per l'uso

Traduzione delle istruzioni originali



NORME DI SICUREZZA GENERALE

ATTENZIONE! La lettura e la comprensione di tutte le istruzioni riportate di seguito sono di fondamentale importanza per evitare scosse elettriche, incendi e lesioni gravi personali.

LEGGERE LE NORME DI SICUREZZA. CONSERVARE IL PRESENTE MANUALE DI ISTRUZIONI!

La dichiarazione di conformità CE (890-011-320.10) accompagnerà questo manuale con un libretto separato quando necessario.

Informazioni sulla batteria:

- **Utilizzare unicamente batterie di tipo e dimensione specificati. Non associare tipi diversi di batterie (ad esempio, non utilizzare le alcaline con le ricaricabili).** Non utilizzare contemporaneamente batterie cariche e batterie usate (ad esempio, vecchie e nuove).
- **Ricaricare le batterie con caricabatterie raccomandati dal costruttore.** L'utilizzo di caricabatterie inadeguati può causare il surriscaldamento e la rottura della batteria.
- Provvedere allo smaltimento appropriato delle batterie. L'esposizione a temperature elevate può causare l'esplosione della batteria; pertanto non gettare la batteria nel fuoco. Per lo smaltimento, rispettare la normativa in vigore nel proprio paese in materia di smaltimento dei rifiuti.

1. Cura e uso dello Scout

- **Utilizzare l'attrezzatura unicamente per gli scopi per cui è prevista.** Non azionare lo Scout senza aver prima acquisito l'opportuna familiarità e aver letto il manuale per l'uso.
- **Non immergere le antenne in acqua.** Conservare l'apparecchio in un luogo asciutto. Il rispetto di queste misure precauzionali, riduce il rischio di scossa elettrica e di danneggiamento dello strumento.
- **Verificare l'assenza di danneggiamenti dei componenti e di qualsiasi altra condizione che possa pregiudicare il funzionamento dello Scout.** In caso contrario, prima di utilizzare lo strumento, farlo controllare da un centro di assistenza. La manutenzione inadeguata di un apparecchio è la causa principale della maggior parte degli incidenti.
- **Utilizzare esclusivamente accessori raccomandati dal costruttore dello Scout.** Accessori idonei per uno strumento potrebbero risultare pericolosi se applicati su altre apparecchiature.
- **Mantenere le impugnature asciutte e pulite; eliminare eventuali residui di olio e grasso. Questo accorgimento consente di effettuare un controllo più accurato dello strumento.**
- **Conservare al riparo da temperature eccessivamente calde.** Non collocare lo strumento in prossimità di fonti di calore come

radiatori, diffusori di aria calda, stufe o altri apparecchi (inclusi gli amplificatori) che producono aria calda.

1.1 Assistenza

- **L'assistenza di strumenti diagnostici deve essere affidata esclusivamente a personale professionalmente qualificato.** Qualsiasi intervento di assistenza o manutenzione eseguito da personale non qualificato, potrebbe essere causa di lesioni personali.
- **Effettuare una pulizia accurata.** Prima della pulizia dello strumento, rimuovere le batterie. Evitare l'uso di detergenti liquidi o spray. Pulire lo strumento con un panno umido.
- **Effettuare un controllo di sicurezza.** Al termine di qualsiasi intervento di assistenza o di riparazione del prodotto, rivolgersi a un tecnico qualificato per effettuare un controllo di sicurezza che determini se il prodotto è in buone condizioni di funzionamento.
- **Danneggiamenti del prodotto che richiedono un intervento di assistenza.** Rimuovere le batterie e contattare un centro di assistenza qualificato nei seguenti casi:
 - Versamento di liquidi o caduta di oggetti sul prodotto.
 - Funzionamento anomalo del prodotto nonostante il rispetto delle istruzioni per l'uso.
 - Caduta o danneggiamento dell'apparecchio.
 - Alterazione evidente delle prestazioni del prodotto.

In qualsiasi corrispondenza, specificare tutte le informazioni riportate sulla targhetta dello strumento, tra cui il codice del modello e il numero di serie.

1.2 Indicazioni importanti

Lo Scout è uno strumento diagnostico in grado di rilevare campi elettromagnetici emessi da oggetti interrati. Esso è progettato per aiutare l'utente a localizzare questi oggetti riconoscendo le caratteristiche delle linee magnetiche e visualizzandole sullo schermo. Poiché le linee del campo elettromagnetico possono risultare distorte e disturbate, è importante verificare la posizione degli oggetti interrati prima di procedere all'escavazione.

È possibile che nella stessa zona siano interrate diverse condutture di pubblica utenza. Accertarsi di operare nel rispetto delle direttive locali in vigore.

Portare alla luce le condutture rimane l'unico modo per verificarne la presenza, la posizione e la profondità.

Ridge Tool Co., le sue società affiliate e i suoi fornitori, declinano qualsiasi responsabilità per ogni eventuale lesione o danno diretto, indiretto o accidentale derivante dall'utilizzo dello Scout. È possibile che nella stessa zona siano interrate diverse condutture di pubblica utenza. Accertarsi di operare nel rispetto delle direttive locali in vigore.

2. Introduzione al localizzatore Scout

Il localizzatore di sonde e linee ScoutTM si avvale di antenne multidirezionali e di un sistema di elaborazione avanzato per il rilevamento rapido e preciso di sonde e di condutture interrate.

2.1 Quali sono le sue esclusive funzioni?

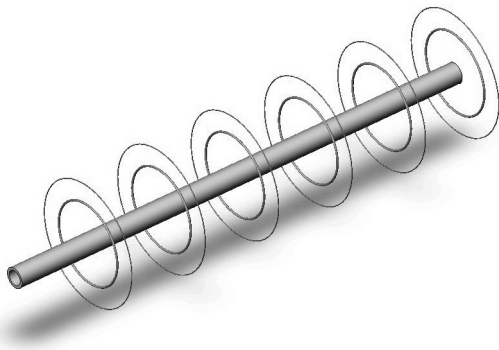
La tecnologia avanzata dello Scout offre diverse funzioni esclusive rispetto ai localizzatori tradizionali:

- Sistema ad antenna multidirezionale.
- Visualizzazione micromappa.
- Indicazione delle caratteristiche del segnale nitido.

2.2 Che cosa è in grado di fare?

Lo Scout viene utilizzato sul terreno per il rilevamento dei campi elettromagnetici emessi dalle linee nascoste o interrate (conduttori elettrici come tubi e fili metallici) o sonde (trasmettitori attivi). Quando i campi magnetici sono semplici e privi di distorsioni, i campi rilevati sono rappresentativi dell'oggetto interrato. Lo Scout è in grado di localizzare gli oggetti conduttivi che emettono un campo magnetico; non è progettato per rilevare direttamente gli oggetti interrati.

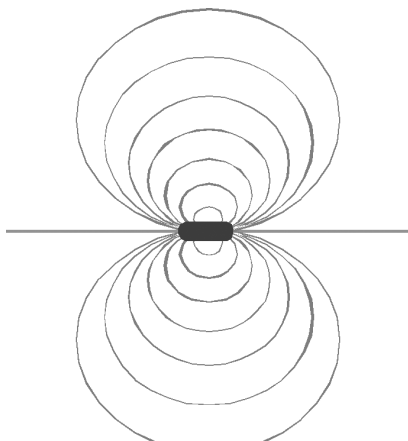
I campi elettrici emessi possono essere di due tipi; il primo tipo viene prodotto da conduttori lunghi, come fili messi sotto tensione, tubi o cavi di spinta per videoispezione. Questi oggetti trasmettono un lungo campo cilindrico spesso denominato traccia "Linea".



Il campo emesso da una linea carica.

(Quando è passiva, la traccia linea AC è "messa sotto tensione" mediante alimentazione elettrica.)

Il secondo tipo, emesso dalle sonde (chiamate anche trasmettitori, segnali o sonde tubolari attive), presenta una forma diversa che lo Scout è in grado di rilevare e visualizzare. Il campo emesso da una sonda che presenta la forma più complessa è denominato dipolo, ed è lo stesso prodotto da un magnete a barra e dal nostro pianeta Terra.

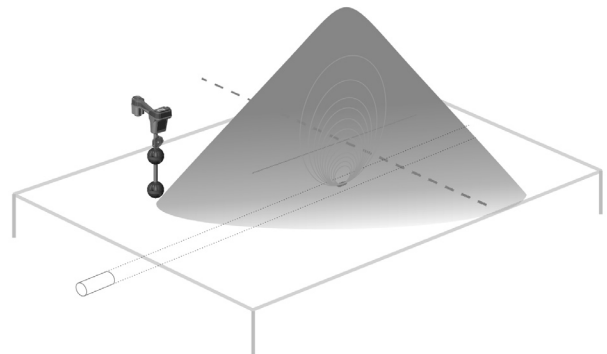


Il campo dipolo emesso da una sonda.

I campi elettromagnetici sono caratterizzati da tre (3) importanti proprietà: frequenza, potenza e angolo (direzione). Diversamente dai localizzatori standard, che misurano unicamente la potenza nella direzione delle singole antenne, lo Scout rileva la potenza del segnale e gli angoli del campo in tre dimensioni (3D). Questa perfezionata capacità rende possibile la visualizzazione di una mappatura. L'operatore professionista può avvalersi di

queste informazioni aggiuntive per velocizzare il processo di localizzazione e per individuare le situazioni di rilevamento più complesse. D'altro canto, i principianti o gli utenti occasionali possono effettuare facilmente la localizzazione sfruttando la sola potenza del segnale.

Regola n. 1 di localizzazione secondo lo Scout: ottenere sempre il valore più alto! – Il metodo chiave principale di localizzazione è quello di massimizzare la potenza del segnale.



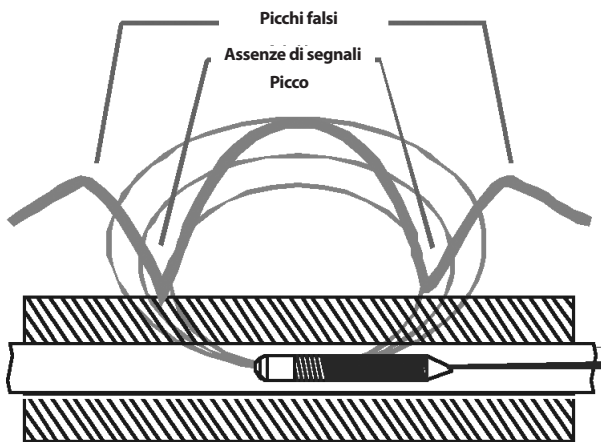
Esempio di massimizzazione del segnale di Scout direttamente sopra la sonda.

Sia per il rilevamento di linee, sia per la localizzazione di sonde, la potenza massima del segnale si ottiene quando ci si trova sopra l'obiettivo. Soltanto a questo punto viene visualizzata la profondità.

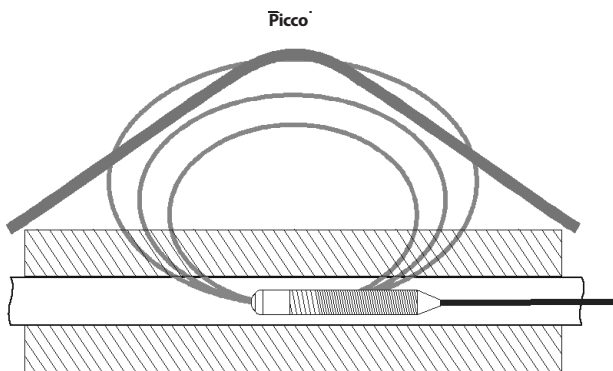
2.3 Qual è il vantaggio della funzione multidirezionale dello Scout?

Il rilevamento di segnali mediante antenne multidirezionali offre vantaggi decisivi:

1. Il segnale diventa sempre più forte quanto più l'operatore si avvicina all'obiettivo.
2. Viene eliminato il rischio dell'assenza di segnale e dei cosiddetti "Picchi fantasma". Il segnale di un localizzatore tradizionale riporta un picco, seguito da un'assenza di segnale, e quindi da un segnale debole. Questa condizione può fuorviare l'operatore, specialmente se un picco minimo viene interpretato come obiettivo (si parla in questo caso di picchi "falsi" o "fantasma"). Lo Scout rileva un unico picco per condurre l'utente verso l'obiettivo.



Segnale di una sonda "visto" dal un localizzatore tradizionale. Picco principale al centro e due picchi falsi all'esterno delle due assenze di segnale.



Segnale di una sonda "visto" dallo Scout. Un solo picco, nessuna assenza di segnali.

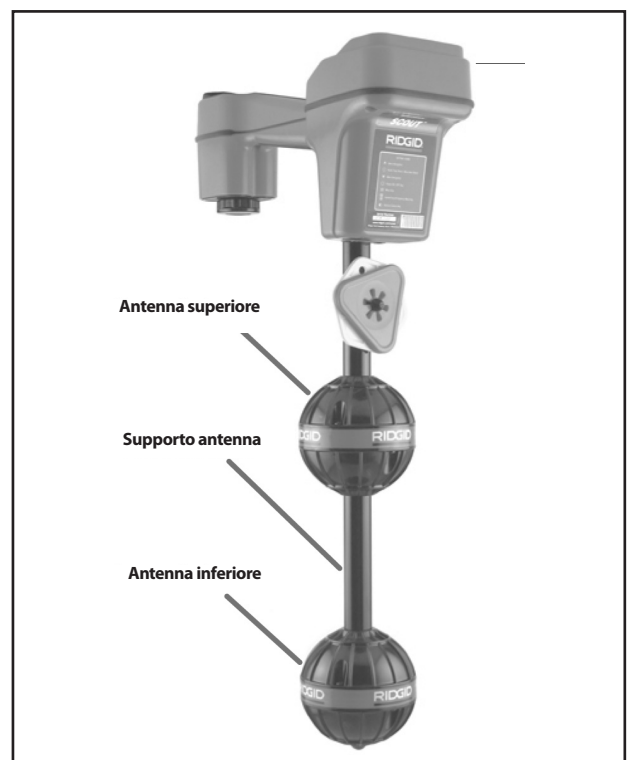
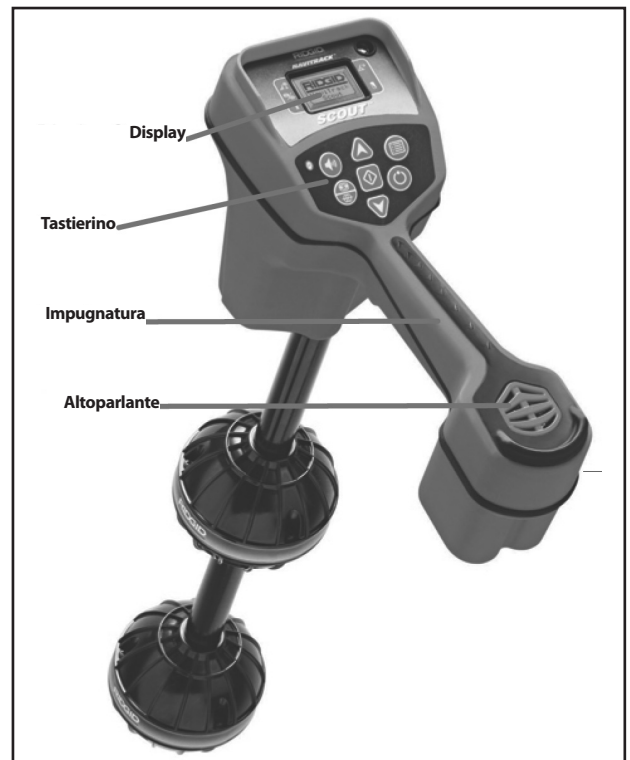
3. La potenza del segnale rimane invariata indipendentemente da come viene manovrato l'apparecchio. L'utente è libero di avvicinarsi all'obiettivo da qualsiasi direzione pur non conoscendo la posizione del tubo o del cavo.
4. Per individuare e risolvere le localizzazioni più complesse, l'apparecchio comprende una micromappa e un indicatore d'angolo che chiariscono le caratteristiche del segnale.

2.4 Qual è il vantaggio della micromappa?

La mappa fornisce un grafico che mostra le caratteristiche del segnale. Si tratta di una vista panoramica del segnale proveniente dall'oggetto interrato, rappresentata graficamente sullo schermo. Questa mappa viene utilizzata come una vera e propria guida per il rilevamento delle linee interrate e per una migliore localizzazione delle sonde. In caso di localizzazioni complesse, la mappa fornisce informazioni dettagliate.

Spostando il localizzatore sopra il terreno, lo Scout passa sul segnale emesso dagli oggetti interrati e lo riproduce graficamente sullo schermo, permettendo all'utente di visualizzarlo e di contrassegnarlo. I localizzatori tradizionali non sono in grado di effettuare la mappatura del segnale interrato, poiché le antenne non riescono a rilevarne la forma completa.

3. Componenti di Scout

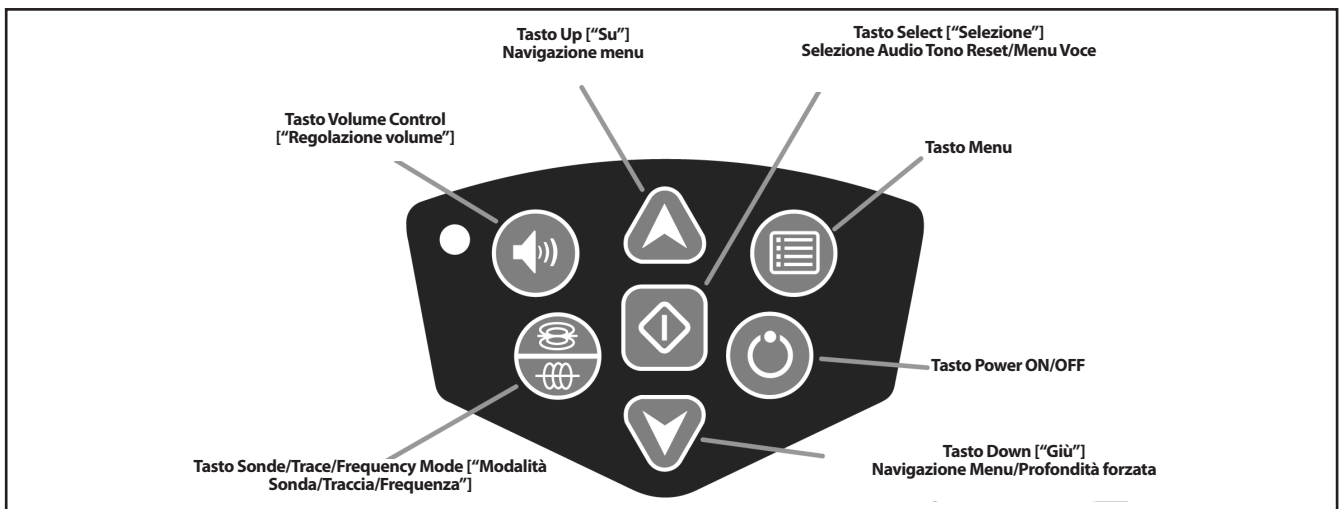




Display



Tastierino



Tasto Volume Control [“Regolazione volume”] – apre e chiude il menu Sound Level [“Livello suono”].

Tasto Sonde/Trace/Frequency Mode [“Modalità Sonda/Traccia/Frequenza”] – permette di scegliere la modalità di funzioni e frequenze attive.

Tasto Up [“Su”] – permette di scorrere verso l’alto le opzioni del menu.

Tasto Select [“Selezione”] – seleziona le opzioni evidenziate quando si accede a un menu.

Tasto Down [“Giù”] – permette di scorrere verso il basso le opzioni del menu.

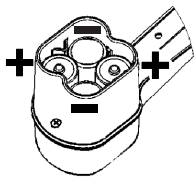
Tasto Menu – apre/chiede il menu.

Tasto Power ON/OFF – accensione e spegnimento.

4. Istruzioni preliminari

4.1 Inserimento/sostituzione delle batterie

Per inserire le batterie, capovolgere l’apparecchio per accedere all’apposito vano. Ruotare in senso antiorario la manopola posta sul coperchio del vano batterie. Sollevare la manopola per rimuovere il coperchio. Inserire le batterie come mostrato in figura e accertarsi che i contatti combacino. Ricollocare il coperchio sul vano; ruotare la manopola in senso orario ed esercitare contemporaneamente una lieve pressione fino alla chiusura. Il coperchio della batteria può essere reinstallato ruotandolo in entrambi i sensi.



Quando è acceso, lo Scout impiega alcuni secondi per effettuare il controllo delle batterie. Fino a quel momento il livello della batteria viene mostrato “vuoto”.

⚠ ATTENZIONE

Fare in modo che nel vano batterie non si accumuli sporcizia. I detriti di sporco potrebbero causare un cortocircuito dei contatti e, di conseguenza, scaricare rapidamente le batterie, situazione che potrebbe portare a una perdita dell’elettrolito o a un rischio di incendio.

4.2 Durata di funzionamento

In genere, la durata di funzionamento del localizzatore Scout, con batterie alcaline, è compresa tra le 12 e le 24 ore; essa dipende da fattori quali il volume del suono e il periodo di tempo in cui la retroilluminazione rimane attiva. Altri fattori che influiscono sulla durata di funzionamento sono le proprietà chimiche della batteria (la maggior parte delle nuove batterie ad alte prestazioni, come “Duracell® ULTRA”, hanno una durata maggiore del 10%-20% rispetto alle normali batterie alcaline per applicazioni ad elevate richieste). La durata delle batterie viene ridotta anche dal funzionamento a basse temperature.

Se non si preme alcun tasto entro un’ora, lo Scout si spegne automaticamente per prolungare la durata delle batterie. Per riprendere l’uso, è sufficiente accendere l’apparecchio.

4.3 Accensione e spegnimento

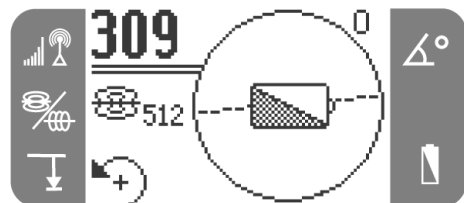
Accendere l’apparecchio premendo il tasto Power [“Alimentazione”] sul tastierino. Sul display viene visualizzato il logo RIDGID®, mentre nell’angolo inferiore destro compare il numero della versione del software.



Spegnere l’apparecchio premendo e rilasciando il tasto Power [“Alimentazione”] sul tastierino. L’operazione di accensione/spegnimento dell’apparecchio richiede alcuni secondi.

4.4 Indicazione batteria scarica

Quando la batteria inizia a scaricarsi, nell’area dello schermo riservata alla mappa compare l’icona della batteria. Questo simbolo indica che è necessario sostituire le batterie e che la durata di funzionamento dell’apparecchio sta per esaurirsi.



Prima che l’apparecchio si spenga definitivamente, viene avviata una sequenza di spegnimento che non può essere interrotta.

In alcuni casi può verificarsi una caduta di tensione delle batterie ricaricabili così rapida da provocare l’istantaneo spegnimento dell’apparecchio. Dopo lo spegnimento avviene il reset. Sostituire le batterie e riaccendere lo strumento.

5. Impostazione

Dopo aver acceso e messo in funzione lo Scout, è necessario impostare le frequenze che corrispondono all’obiettivo da localizzare. Per attivare ciascuna frequenza, è sufficiente selezionarla da un elenco del menu.

1. Premere il tasto del menu, evidenziare la scelta, quindi premere il tasto di selezione per l’attivazione:



2. Agendo sui tasti freccia Su e Giù, evidenziare una frequenza che corrisponda a quella utilizzata nella sonda o sul trasmettitore di linea, quindi premere il tasto di selezione per spuntare la casella. Fare riferimento al paragrafo Opzioni menu. Premere il tasto del menu per tornare alla schermata principale.



ATTENZIONE

Accertarsi che la frequenza selezionata sia idonea all'operazione che si intende effettuare. Le frequenze 512 e 33 sono disponibili sia per le sonde, sia per la traccia linea. Se si utilizza una frequenza sonda per la traccia linea o viceversa, è possibile che lo Scout visualizzi informazioni di profondità errate.

3. A questo punto, premere il tasto di modalità sonda/traccia/frequenza per scorrere l'elenco delle modalità e delle frequenze. Osservare le icone sullo schermo per verificare in quale modalità si trova l'apparecchio.



4. Se si desidera regolare la profondità, la retroilluminazione automatica o il contrasto LCD, evidenziare la selezione nella sezione strumenti del menu ed apportare le modifiche tramite il tasto di selezione.



5.1 Opzioni menu

Frequenze modalità Sonda		512 Hz 640 Hz 874 Hz 33 Hz
--------------------------	--	-------------------------------------

Frequenze modalità Traccia linea		50 Hz (Passiva) 60 Hz (Passiva) 512 Hz 8 kHz 33 kHz
Menu Tools ["Strumenti"]		Piedi/Metri Retroilluminazione automatica Contrasto LCD

5.2 Suoni dello Scout

Il suono è correlato alla potenza del segnale elettromagnetico: più la potenza del segnale aumenta, più il suono ed il volume aumentano e viceversa. Al progressivo incremento del segnale elettromagnetico, il volume e l'intensità del suono aumentano gradualmente per consentire all'operatore di raggiungere la massima potenza del segnale. Se la potenza del segnale diminuisce, il suono si riduce a un tremulo come se non venisse rilevato alcun segnale.

Lo Scout è dotato di un guadagno automatico. Quando il guadagno si sposta verso l'alto o verso il basso di un livello, il suono viene reimpostato rispettivamente ad un'intensità superiore o inferiore.

Regolare il volume del suono premendo il tasto Sound ["Suono"].



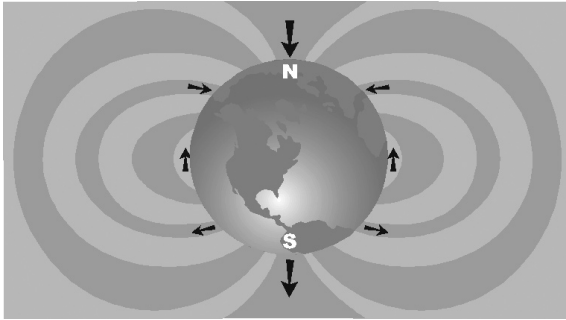
Il volume cambia ad ogni pressione del tasto. Per modificare il volume è possibile anche agire sulle frecce Su e Giù. Premere il tasto di selezione per uscire dalla schermata.



NOTA Premendo il tasto di selezione durante il normale funzionamento, il suono viene impostato a un livello medio.

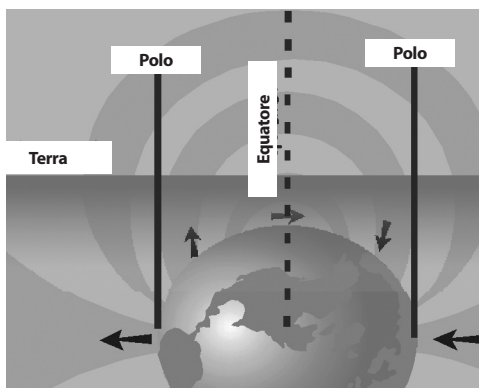
5.3 Panoramica sulle sonde e sul localizzatore Scout

Le sonde (chiamate anche trasmettitori, segnali o sonde tubolari attive) emettono un campo elettromagnetico molto simile a quello che si sprigiona dal pianeta Terra.



In realtà, se la Terra fosse ruotata su un lato, il suo campo magnetico sarebbe ancora più somigliante a quello prodotto da una sonda.

Il localizzatore Scout è in grado di misurare la forma (angolo) delle linee del campo provenienti da una sonda e di individuarne le caratteristiche. Le caratteristiche più importanti sono tre: i due **POLI** e l'**EQUATORE**. Ai Poli l'angolo del segnale è di 90 gradi (verticale). All'Equatore è di 0 gradi (orizzontale). I Poli sono punti distinti nello spazio, mentre l'Equatore si avvolge completamente attorno alla sonda. Finché queste caratteristiche distinte rimangono costanti, possono essere sfruttate per localizzare in modo preciso la sonda.



Quando i localizzatori tradizionali rilevano "assenze di segnali", ovvero zone morte che si verificano quando il segnale passa verticalmente attraverso le antenne, i Poli sono solitamente visibili. La differenza sostanziale sta nel fatto che lo Scout riesce a rilevare i Poli ("assenze di segnali") mostrandone la posizione, **anche quando l'operatore non si trova direttamente sopra di essi e indipendentemente dall'allineamento delle antenne dello Scout con il segnale.**

Questo è uno dei motivi per cui la localizzazione con lo Scout è molto più semplice rispetto a quella effettuata con apparecchi tradizionali.

La sonda viene localizzata nel punto in cui l'Equatore passa direttamente tra i due Poli.


5.4 Localizzazione della sonda

Lo Scout può essere utilizzato per localizzare il segnale di una sonda (trasmettitore) all'interno di un tubo, in modo che la sua posizione possa essere individuata da sopra il terreno. Mediante l'uso di cavi di spinta o aste di spinta per videoispezione, le sonde possono essere collocate anche in punti critici all'interno della condotta. È anche possibile che vengano spinte sul fondo del tubo.

Supponiamo che la sonda si trovi in un tubo orizzontale, che il terreno sia pressoché piano e che lo Scout venga impugnato in modo da mantenere il supporto antenna verticale.

IMPORTANTE La potenza del segnale rappresenta il fattore chiave per la determinazione della posizione della sonda. Per ottenere una localizzazione precisa, è **NECESSARIO** massimizzare la potenza del segnale prima di contrassegnare un'area per l'escavazione.

5.4.1 Per localizzare una sonda effettuare le seguenti impostazioni:

- **Prima** di inserire la sonda nella condotta, accertarsi che lo Scout sia in funzione e che stia ricevendo il suo segnale.
- Non appena la sonda si trova in posizione e inizia a trasmettere, attivare la sonda e selezionare la frequenza corrispondente su lo Scout. Accertarsi che sul display sia visualizzata l'icona della modalità sonda .

⚠ ATTENZIONE

Accertarsi che la frequenza selezionata sia idonea all'operazione che si intende effettuare. Le frequenze 512 e 33 sono disponibili sia per le sonde, sia per la traccia linea. Se si utilizza una frequenza sonda per la traccia linea o viceversa, è possibile che lo Scout visualizzi informazioni di profondità errate.

- Avvicinarsi alla presunta posizione della sonda. Se non si conosce la direzione della condotta, far avanzare la sonda a piccoli passi all'interno della linea (~5 m di profondità dal punto di accesso è un buon punto di partenza).

5.4.2 Per localizzare la sonda, scegliere uno dei metodi descritti di seguito:

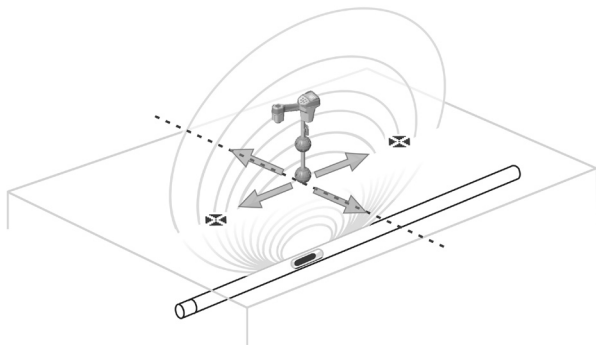
Metodo 1 – Massimizzare la potenza del segnale

1. Impugnare lo Scout in modo da mantenere il supporto antenna il più lontano possibile dal proprio corpo. Spostare il supporto antenna verso la presunta posizione della sonda osservando contemporaneamente la potenza del segnale e ascoltando il suono. La potenza massima del segnale si ottiene quando il supporto antenna punta in direzione della sonda.
2. Abbassare lo Scout fino alla posizione di funzionamento normale (supporto antenna verticale) e avvicinarsi alla sonda. Più ci si avvicina all'obiettivo, più la potenza del segnale aumenta e il suono raggiunge la massima altezza. Sfruttare la potenza del segnale e il suono per **massimizzare il segnale.**



3. Una volta raggiunto il livello massimo, appoggiare lo Scout al terreno in corrispondenza del picco e spostarlo in tutte le direzioni per accertarsi che il segnale si indebolisca.

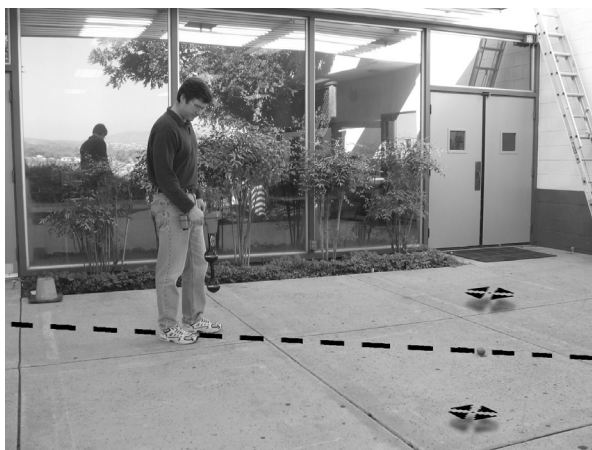
NOTA Ciò che conta è la massima potenza del segnale; la linea dell'equatore può trovarsi in una posizione diversa rispetto a questo segnale se la sonda è inclinata (vedere sezione Sonda inclinata).



Metodo 2 – Seguire l'Equatore – Quindi massimizzare

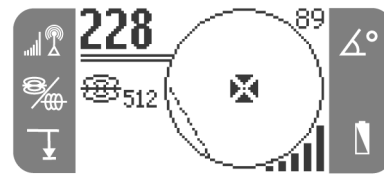
1. Questo metodo è altamente funzionale in aree aperte e non ostruite, quando la **sonda si trova in una presunta posizione orizzontale**. Spostare il supporto antenna e avvicinarsi alla massima potenza del segnale, come nel Metodo 1.
2. Quando lo Scout visualizza una linea dell'Equatore **fissa** centrata sullo schermo, seguire questa linea verso la potenza del segnale in aumento. Una volta raggiunta la massima potenza del segnale, spostare lo Scout lungo l'Equatore **e in tutte** le direzioni per accertarsi di essere posizionati sul picco.

Quando la sonda è inclinata, accertarsi di aver raggiunto il massimo segnale poiché questo corrisponde al punto esatto in cui si trova la sonda.



Verifica della localizzazione.

1. Nel punto di massima potenza del segnale, con il supporto antenna in posizione verticale, spostare lo Scout perpendicolarmente alla linea dell'Equatore visualizzata sullo schermo. Non appena compare l'icona del Polo, spostare lo Scout finché quest'ultima non viene centrata sul reticolo **con la sfera dell'antenna inferiore** sul terreno. Segnare questo punto sul terreno con uno dei marcatori triangolari arancioni.



Visualizzazione con Scout sul polo.

2. Spostare lo Scout nella direzione opposta lungo la linea dell'Equatore fino all'altro polo. Centrare il reticolo sull'icona del secondo Polo e segnare la sua posizione come descritto precedentemente.
3. Spostarsi nuovamente fino alla massima potenza del segnale. Marcare questo punto sul terreno con il marcatore esagonale giallo. Allontanare la sfera dell'antenna inferiore dal segno giallo in tutte le direzioni e osservare contemporaneamente la visualizzazione della potenza del segnale. Il valore più alto della potenza del segnale si deve ottenere quando ci si trova direttamente sopra la sonda.
4. Verificare che i tre segni siano allineati e che il marcatore esagonale giallo si trovi circa a metà tra i Poli.

Se il marcatore giallo non è in posizione centrale, consultare la sezione che riguarda le sonde inclinate.

IMPORTANTE Se ci si trova sull'Equatore, non significa che si è in corrispondenza della sonda. È importante ricordare che il fattore chiave per la localizzazione della sonda è la potenza del segnale. È necessario quindi che ci si trovi sul punto massimo della potenza.

Per la massima precisione, utilizzare la livella a bolla. Il supporto antenna DEVE trovarsi in posizione verticale durante la marcatura dei Poli e dell'Equatore, altrimenti il posizionamento risulterà errato.

5.5 Misurazione della profondità

Lo Scout misura la profondità confrontando la potenza del segnale dall'antenna inferiore all'antenna superiore.

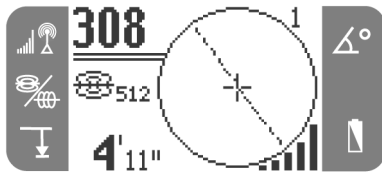
La profondità viene registrata quando l'antenna inferiore si trova in contatto con il terreno direttamente sopra la fonte del segnale.

1. Per effettuare questa misurazione, appoggiare il localizzatore sul terreno, in corrispondenza della sonda della linea. Accertarsi che l'indicatore d'angolo legga un valore massimo di 5 gradi. A questo punto, ruotare lentamente l'apparecchio in direzione della freccia visualizzata nella parte **inferiore sinistra** dello schermo finché non compare la profondità.



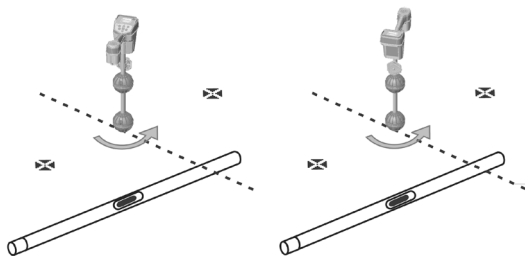
Durante la misurazione della profondità la livella a bolla è utile per verificare che il supporto antenna si trovi in posizione verticale. Per massimizzare il segnale e ottenere una lettura più precisa della profondità, è necessario ruotare lo Scout fino ad allineare l'antenna al segnale.

2. La profondità viene visualizzata nell'angolo inferiore destro.



3. **Funzione di misurazione forzata della profondità** - Se l'indicatore d'angolo legge un valore superiore a 5 gradi, lo Scout non fornisce la misurazione della profondità. Premere e tenere premuto il tasto freccia Giù. Questa operazione costringerà lo strumento a misurare la profondità, se questa risulta misurabile (consultare la sezione riguardante le sonde inclinate riportata più avanti).

Per verificare la profondità, effettuare sempre una misurazione, quindi ruotare lo Scout di 180 gradi (1/2 cerchio) e registrare una seconda misurazione della profondità. Assicurarsi che la sfera inferiore sia rimasta nella stessa posizione sul terreno e che il supporto antenna sia verticale. Se le letture della profondità differiscono tra loro di oltre il 10%, significa che è presente una distorsione che potrebbe interferire nella registrazione della profondità.



5.6 Indicazioni operative per la localizzazione di una sonda

- Quando è possibile, servirsi del suono per dirigere lo Scout verso la potenza massima del segnale.
- Quando si raggiunge l'Equatore, ma il segnale non è al valore più alto, seguire l'Equatore fino alla massima potenza del segnale. Aver identificato l'Equatore della sonda (la linea punteggiata visualizzata sullo schermo) NON significa che la sonda è stata trovata. È necessario trovare anche il punto della potenza massima del segnale. Se l'inclinazione della sonda è molto pronunciata, l'Equatore NON si trova esattamente sopra la sonda e quest'ultima non è equidistante da ciascun Polo. Se la sonda risulta inclinata, massimizzare il segnale.
- Confermare sempre il punto della massima potenza del segnale. Osservare la visualizzazione della mappa, a meno che non si è certi che tutte le condizioni richieste siano state rispettate. La mappa presume che siano rispettate le seguenti condizioni:
 1. Il terreno è piano.
 2. La sonda è orizzontale.
 3. Il localizzatore Scout si trova sopra il livello del terreno.
 4. Il localizzatore Scout viene mantenuto pressoché verticale, con il supporto antenna diritto verso il basso.

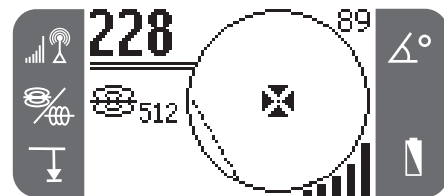
Se queste condizioni non sono soddisfatte, rivolgere l'attenzione alla ricerca della massima potenza del segnale. In genere, se le condizioni appena descritte sono rispettate e se lo Scout si trova entro due "profondità" dalla fonte del segnale, la mappa risulterà molto precisa e utile. Ricordarsi queste

indicazioni quando si usa la mappa nel caso in cui l'obiettivo o la fonte del segnale sono poco profondi. Se la sonda si trova molto in superficie, l'area di ricerca con il solo ausilio della mappa potrà risultare anche notevolmente ridotta.

5.7 Sonde inclinate

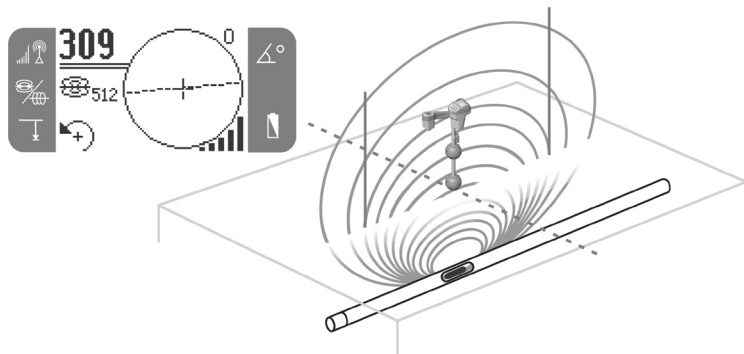
Se la sonda è inclinata, un Polo si avvicinerà ulteriormente alla sonda, mentre l'altro si allontanerà: in questo modo la posizione della sonda non si trova esattamente in mezzo ai due Poli. La potenza del segnale del Polo più vicino diventa sempre più forte rispetto a quella del Polo più distante. Nel caso più estremo, la sonda è talmente inclinata da assumere una posizione verticale; il Polo che, quindi, si sposta direttamente sopra la sonda corrisponde contemporaneamente al punto di massima potenza del segnale. L'altro Polo non sarà visibile. Di conseguenza, anche se la sonda è in verticale, posizione che assumerebbe se fosse caduta in una rottura della linea o in un serbatoio interrato, la localizzazione potrà essere ugualmente effettuata.

In caso di sonda verticale, sullo schermo verrà visualizzato un Polo con massima potenza del segnale.

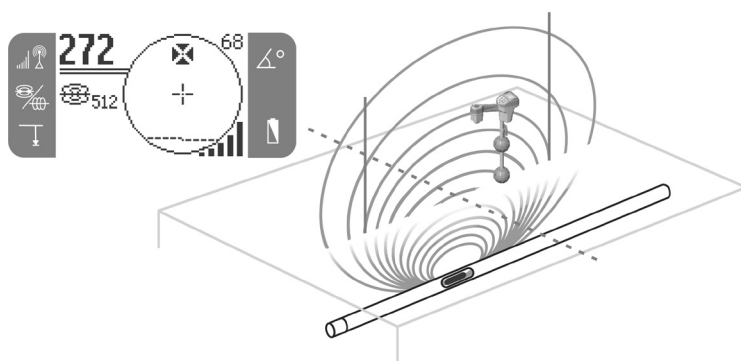


Le antenne multidirezionali consentono la misurazione della profondità anche se la sonda è inclinata. In questa circostanza è necessario utilizzare la funzione di misurazione forzata della profondità (vedere Misurazione della profondità).

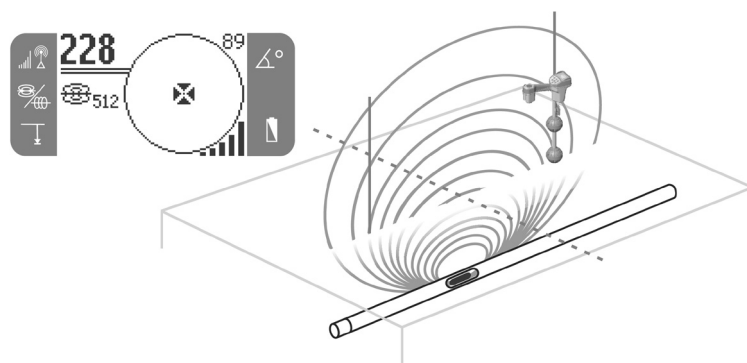
Micromappa - Esempi – Modalità Sonda



Scout sull'Equatore



Scout si allontana dall'Equatore e si avvicina al Polo



Scout sul Polo

6. Tracciamento di una linea con lo Scout

Lo Scout è molto affidabile anche per la traccia di una conduttura o linea tramite marcatura del terreno sovrastante. In questa modalità è possibile identificare la posizione della linea in modo da poterla evitare durante l'escavazione o poterla portare alla luce per interventi di riparazione o sostituzione. Lo Scout può essere utilizzato in modo attivo per la localizzazione di linee messe sotto tensione con diverse frequenze, oppure può essere utilizzato in modo passivo per la ricerca a tappeto di conduttori lunghi che diffondono segnali.

Le linee interrate vengono messe sotto tensione con un trasmettitore di linea. Questo segnale attivo viene quindi tracciato mediante un ricevitore, come lo Scout.

1. Fissare il trasmettitore di linea alla linea, in base alle indicazioni del costruttore.

Per "trasmettitore" si intende qualsiasi oggetto che genera un segnale localizzabile. Si tratta di un termine generico per indicare sia una sonda sia il dispositivo utilizzato per mettere sotto tensione un cavo o un tubo.

2. Far corrispondere la frequenza utilizzata sul trasmettitore con la frequenza su Scout. Accertarsi che sia presente l'icona di traccia linea ~. Premere il tasto del menu principale per tornare alla schermata di localizzazione.



- Prima di iniziare ad eseguire la traccia, si consiglia di controllare se, allontanando lo Scout, la potenza del segnale si indebolisce. Puntare il supporto antenna ai conduttori o direttamente al trasmettitore se si sta utilizzando la modalità induttiva. Sopra la linea, si deve ottenere un picco del segnale mentre alle estremità una caduta del segnale. Se la potenza del segnale e le linee sullo schermo NON corrispondono, il segnale potrebbe essere distorto.
- Durante il tracciamento, il percorso del tubo o del cavo viene rappresentato sullo schermo con due linee continue. Se le linee rimangono al centro, significa che lo Scout sta tracciando la linea interrata. Se la linea devia verso sinistra o verso destra, spostare lo Scout per riportare la linea al centro. L'emissione del segnale proveniente da una linea è più forte quando ci si trova direttamente sulla linea stessa. In caso contrario, il segnale presenta una distorsione.



NOTA Quando si utilizza una frequenza per la traccia linea, lo schermo visualizza due linee. Quando si utilizza una frequenza per sonda viene visualizzata un'unica linea, l'Equatore.

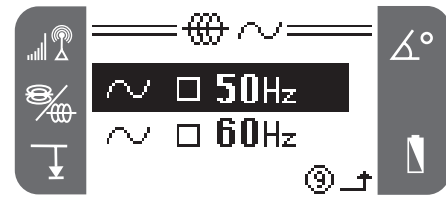
AVVERTENZA Prestare attenzione alle interferenze dei segnali che potrebbero causare letture errate. Le letture della profondità devono essere considerate come una stima, mentre le profondità effettive devono essere verificate portando alla luce la linea prima dell'escavazione.

- Prima di iniziare ad eseguire la traccia, si consiglia di controllare se, allontanando lo Scout, la potenza del segnale si indebolisce. Puntare il supporto antenna ai conduttori o direttamente al trasmettitore se si sta utilizzando la modalità induttiva. Sopra la linea, si deve ottenere un picco del segnale mentre alle estremità una caduta del segnale. Se la potenza del segnale e le linee sullo schermo NON corrispondono, il segnale potrebbe essere distorto.

6.1 Tracciamento linea AC passiva

In modalità passiva, lo Scout rileva la corrente alternata o i campi AC. In genere le linee elettriche interrate non emettono alcun segnale rilevabile a meno che l'alimentazione elettrica non scorra all'interno dei cavi. Ad esempio, i lampioni spenti sono difficili da tracciare in modo passivo.

- Selezionare una frequenza per traccia AC passiva con l'icona di traccia linea passiva ~ visualizzata.
- Lo Scout è dotato di due frequenze standard per traccia AC passiva: 50 Hz e 60 Hz.



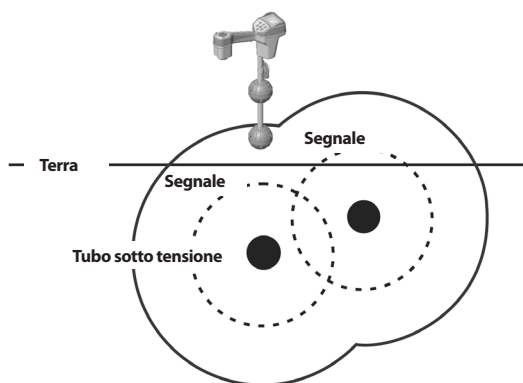
6.2 Indicazioni operative per il tracciamento di una linea

Quando le linee non sono centrate sulla mappa, ma la potenza del segnale è al punto massimo, significa che è presente una distorsione.

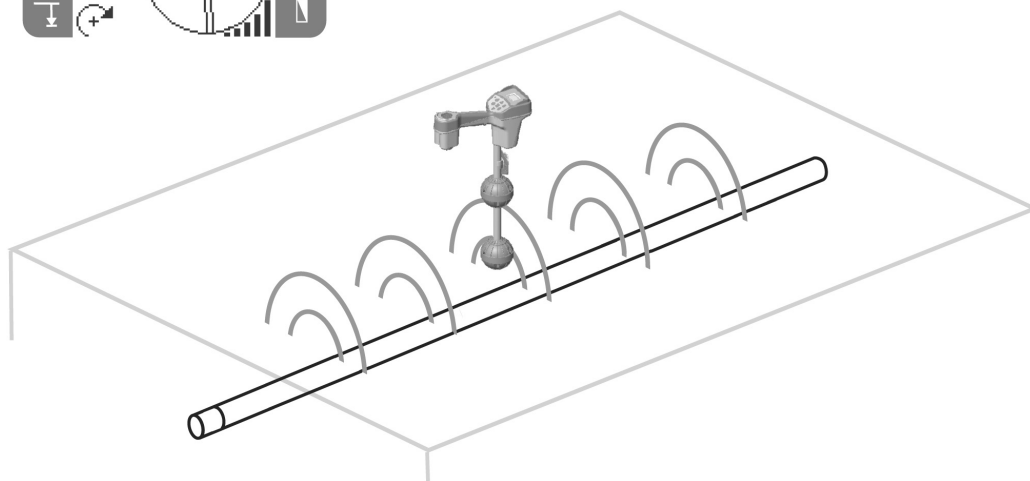
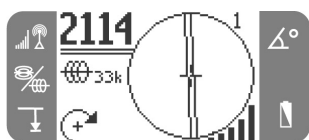
- Provare a modificare la frequenza utilizzata con una frequenza inferiore.
 - Spostare il picchetto di messa a terra in una posizione lontana dalla linea da tracciare.
 - Accertarsi che la linea non sia collegata ad un'altra conduttura.
- Se le linee non sono centrate o se si muovono nello schermo in maniera incomprensibile, significa che lo Scout potrebbe non essere in grado di ricevere un segnale definito.
- Controllare che il trasmettitore sia in funzione e sia collegato a terra in modo corretto.
 - Testare il circuito puntando l'antenna inferiore verso entrambi i conduttori del trasmettitore.
 - Controllare che lo Scout e il trasmettitore stiano funzionando sulla stessa frequenza.
 - Provare a impostare diverse frequenze, iniziando con quella più bassa, finché la linea non viene captata in modo certo.
- La migliore circolazione della corrente elettrica avviene dalle linee più ristrette alle linee più ampie (resistenza minima). Un esempio esplicativo è il tracciamento di un tubo dall'abitazione alla strada.
- Durante il tracciamento, nello stesso punto in cui le linee sono centrate sul display, il segnale deve essere alla massima potenza e la profondità al valore minimo. In caso contrario, la conduttura potrebbe essere ruotata oppure potrebbero essere presenti altri segnali accoppiati.
- Le frequenze più alte possono causare più interferenze, tuttavia possono essere necessarie per superare i problemi di cavi tracciati danneggiati o per avvicinarsi ad accoppiatori isolanti.
- Quando si utilizza il trasmettitore in modo induttivo, assicurarsi di iniziare la localizzazione a una distanza di 10/15 m per evitare il fenomeno per cui lo Scout rileva il segnale direttamente dal trasmettitore e non dalla linea da tracciare.

Durante il tracciamento, la micromappa presume che siano presenti le seguenti condizioni:

- Il terreno è piano.
 - La linea è orizzontale.
 - Il localizzatore Scout si trova sopra il livello del terreno.
 - Il supporto antenna dello Scout viene mantenuto pressoché in verticale.
- Se queste condizioni non sono soddisfatte, rivolgere l'attenzione alla ricerca della massima potenza del segnale. In genere, se lo Scout si trova entro due "profondità" dalla linea, la mappa risulterà molto precisa e utile. Ricordarsi queste indicazioni quando si usa la micromappa nel caso in cui l'obiettivo o la linea sono poco profondi. Se la linea si trova molto in superficie, l'area di ricerca nella micromappa potrà risultare anche notevolmente ridotta.



Micromappa - Esempio – Traccia linea



7. Menu Tools [“Strumenti”]

7.1 Modifica dell’unità di misura della profondità

Con lo Scout è possibile modificare l’unità di misura della profondità da piedi a metri e viceversa. Per modificare queste impostazioni è sufficiente selezionare l’icona della profondità dal menu Tools [“Strumenti”] e premere il tasto di selezione per passare da piedi a metri e viceversa.



7.2 Retroilluminazione automatica

I livelli inferiori di illuminazione vengono rilevati da un apposito sensore integrato nell’angolo superiore sinistro del tastierino. La retroilluminazione può essere incrementata bloccando la luce di questo sensore con un pollice.

La retroilluminazione automatica LCD è impostata in fabbrica unicamente per l’accensione in condizioni di buio assoluto per prolungare la durata delle batterie. Quando le batterie iniziano a scaricarsi, la retroilluminazione si affievolisce. Quando le batterie stanno per esaurirsi, la retroilluminazione rimane attiva ma ad un livello minimo per prolungare la durata delle batterie.

Per disattivare la retroilluminazione, selezionare l’icona della lampadina nella sezione degli strumenti del menu e premere il tasto di selezione per passare da Auto a OFF.



7.2.1 Contrasto LCD

Una volta evidenziato e selezionato, il contrasto LCD può essere regolato mediante le frecce Su e Giù.



8. Informazioni utili

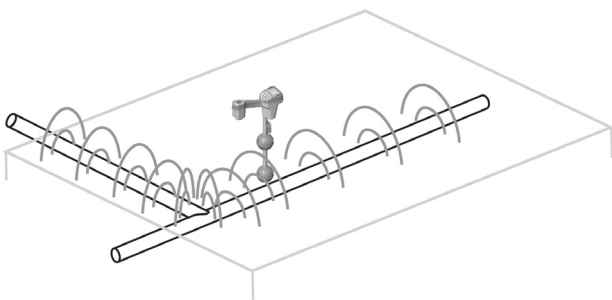
8.1 Interferenza del segnale

8.1.1 Campi distorti

A volte è possibile che un singolo campo si imbatta in oggetti metallici o altri materiali ferrosi nel terreno che provocano una distorsione alle linee del campo. Potrebbe trattarsi di un'altra conduttura, di un rottame sotterrato o di una vecchia linea inutilizzata che deviano o accorciano le linee del campo. In questo caso lo Scout potrebbe visualizzare un segnale più debole attorno all'oggetto e un segnale più forte sopra di esso. L'oggetto potrebbe quindi agire come una lente che amplifica o riduce il segnale in modo imprevedibile.

8.1.2 Campi composti

È possibile che si verifichino anche campi composti. Quando un unico campo si interseca con un altro campo, la loro unione potrebbe creare un segnale più forte. È importante, per gli operatori, riuscire a intuire questo fenomeno in corrispondenza di incroci a "T" o di angoli retti della linea, punti in cui molto spesso si verificano campi composti.



Rappresentazione di un campo composto in prossimità di un collegamento nella linea.

8.1.3 Rumore

I segnali interferenti (rumori) sono normalmente presenti nei lavori di localizzazione. È possibile che l'interferenza si trovi alla stessa frequenza in uso, oppure che si trovi "fuori banda" ad altre frequenze. Alcuni tra i più ampi segnali interferenti sono generati da attrezzature di trasmissione della corrente. Trasformatori di corrente, grandi generatori o motori elettrici e linee possono produrre segnali interferenti anche molto ampi. Se possibile, evitare le aree particolarmente rumorose.

Se la visualizzazione dell'angolo o se i livelli del segnale risultano instabili e discontinui, significa che non viene rilevato alcun segnale dell'obiettivo (sonda o linea sotto tensione), o che è presente un elevato livello di rumore interferente.

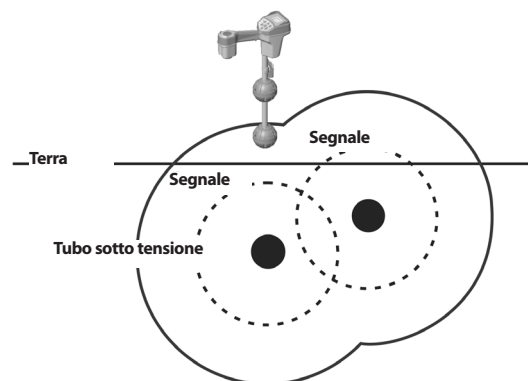
8.2 Indicazioni sulla precisione

Le misurazioni della potenza del segnale e della profondità, si basano su un forte segnale captato dallo Scout. È importante ricordare che lo Scout viene utilizzato sul terreno per il rilevamento dei campi elettromagnetici emessi dalle linee nascoste o sotterrate (conduttori elettrici come tubi e fili metallici) o sonde (segnali trasmettenti attivi). Quando i campi magnetici sono semplici e privi di distorsioni, i campi rilevati sono rappresentativi dell'oggetto sotterrato.

Se questi campi sono distorti e se sono presenti molteplici campi interferenti, la localizzazione con lo Scout non potrà essere precisa. La localizzazione non è una scienza esatta: essa richiede l'intervento di un operatore che prenda decisioni e che sfrutti tutte le informazioni disponibili, al di là di quelle che possono essere le letture eseguite dallo strumento. Lo Scout fornirà all'utente ulteriori informazioni, ma è compito dell'operatore interpretarle in modo corretto. Nessun costruttore di localizzatori potrà mai affermare che un operatore debba basarsi esclusivamente sulle informazioni fornite dal proprio strumento.

Di seguito sono riportate le condizioni che possono pregiudicare la precisione della localizzazione:

- **Presenza di altre linee o condutture.** L'interferenza data dalla vicinanza di altre linee potrebbe produrre campi distorti ed evidenziare le linee accidentalmente. Se possibile, utilizzare frequenze più basse e rimuovere tutti i collegamenti tra le due linee.



- **Uso del trasmettitore in modo induttivo.** In questo caso la linea emette un segnale debole. Quando è possibile, utilizzare un collegamento diretto.
- **Presenza di incroci a T o spaccature nella linea.** Possono verificarsi distorsioni del segnale.
- **Potenza del segnale debole.** Per una localizzazione precisa, è necessario un segnale forte.
- **Variazioni delle condizioni del suolo.** I valori estremi di umidità (atmosfera troppo asciutta o eccessivamente satura) potrebbero compromettere le misurazioni. Ad esempio, un terreno saturo di acqua salata, che si trova in genere lungo i litorali, ostacola duramente la propagazione del segnale rendendo difficoltosa la localizzazione.

9. Trasporto e conservazione

Prima del trasporto, accertarsi che l'apparecchio sia spento per risparmiare l'energia delle batterie.

Durante il trasporto, assicurarsi che l'apparecchio rimanga fermo, che non sobbalzi e che non venga urtato da attrezzatura libera.

Lo Scout deve essere conservato in un luogo fresco e asciutto.

Se si prevede di lasciare lo Scout inutilizzato per un periodo di tempo prolungato, le batterie devono essere rimosse.

10. Installazione/utilizzo di accessori

Alla consegna, con lo Scout vengono forniti in dotazione marcatori che possono essere utilizzati per contrassegnare le posizioni dei Poli e della sonda sul terreno. In particolare, due (2) marcatori rossi per i Poli e un (1) marcatore giallo per la sonda.

In caso fosse necessario un intervento di assistenza, contattare il proprio fornitore o un rappresentante RIDGID.

11. Manutenzione e pulizia

⚠ ATTENZIONE

- 1. Pulire lo Scout con un panno umido e un detergente delicato. Non immergere in acqua.**
- 2. Durante la pulizia, non utilizzare raschiatori o prodotti abrasivi poiché potrebbero graffiare in modo irreparabile il display. NON UTILIZZARE MAI SOLVENTI per pulire qualsiasi parte dell'apparecchio. Sostanze come acetone o altri prodotti chimici aggressivi possono incrinare il corpo dell'apparecchio.**

12. Ricerca dei guasti

Per indicazioni sulla risoluzione dei problemi, fare riferimento alla relativa guida al termine del presente manuale. Se necessario, per ulteriori informazioni ed eventuale assistenza, contattare Ridge Tool o il proprio fornitore.

13. Assistenza e riparazione

⚠ ATTENZIONE

Lo strumento deve essere consegnato a un centro di assistenza autorizzato RIDGID.

14. Guida sulla risoluzione dei problemi

PROBLEMA	POSSIBILI CAUSE E RISOLUZIONI
Lo Scout si blocca durante l'uso.	Spegnere l'apparecchio, quindi riaccenderlo. Se non è possibile spegnere l'apparecchio, rimuovere le batterie.
Durante il tracciamento, le linee "sobbalzano" per tutta la schermata della micromappa.	Questo fenomeno indica che lo Scout non è in grado di rilevare il segnale o che è presente un'interferenza.
	Accertarsi che il trasmettitore sia collegato e messo a terra in modo corretto. Puntare lo Scout su entrambi i conduttori per assicurarsi di aver ottenuto un circuito completo.
	Provare a impostare una frequenza più alta.
	Tentare di determinare la fonte di qualsiasi rumore ed eliminarla.
Durante la localizzazione di una sonda, le linee "sobbalzano" per tutta la schermata.	Controllare che le batterie della sonda siano funzionanti.
	Verificare il segnale avvicinando l'antenna inferiore alla sonda. Nota – Le sonde hanno difficoltà ad emettere segnali attraverso linee in ghisa e ferro dolce.
La sonda non è equidistante da ciascun polo.	È possibile che la sonda sia inclinata o che sia presente una transizione da ghisa a plastica.
L'apparecchio funziona in modo anomalo, non si spegne.	Le batterie potrebbero essere scariche. Sostituirle con batterie nuove e accendere l'apparecchio.
Il display appare completamente scuro, o completamente illuminato dopo l'accensione.	Provare a spegnere l'apparecchio, quindi riaccenderlo.
	Regolare il contrasto del display LCD.
Il suono è assente.	Regolare il livello del suono dal relativo menu.
Lo Scout non rileva il segnale.	Controllare che la frequenza e la modalità siano state impostate correttamente.
Lo Scout non si accende.	Provare a cambiare la posizione delle batterie. Controllare che le batterie siano cariche. Verificare che i contatti delle batterie combacino. È possibile che un fusibile si sia fuso (è necessario contattare il servizio di assistenza).

15. Specifiche

Peso batterie incluse.....	1,4 kg
Peso batterie escluse.....	1 kg
Dimensioni	
Lunghezza.....	28,5 cm
Larghezza.....	11,0 cm
Altezza.....	56,0 cm
Alimentazione	
4 Batterie C da 1,5 V alcaline (ANSI/NEDA 14A, IEC LR14) oppure batterie ricaricabili 1,2 V NiMH o NiCad	
Potenza a regime: 6 V, 550 mA	
Ambiente di esercizio	
Temperatura.....	da 20 a 50°C
Umidità.....	dal 5 al 95% UR
Temperatura di conservazione.....	da -20 a 60°C
Frequenze standard	
Sonda.....	512 Hz, 640 Hz, 874 Hz, 33 kHz
Traccia linea attiva.....	512 Hz, 8 kHz, 33 kHz
Traccia linea passiva.....	60 Hz, 50 Hz

Impostazioni predefinite

Le impostazioni predefinite per il localizzatore sono:
 Unità di misura di profondità = Metro e centimetro
 Volume = 1 (unica impostazione sopra il livello Mute)
 Retroilluminazione = Automatica

Attrezzatura standard

- . Localizzatore Scout
- . Scatola supporto antenna e marcatori
- . 2 Manuali dell'operatore: USA + Europa
- . 4 batterie size C (alcaline)
- . Video PAL

Attrezzatura opzionale

- . Marcatori aggiuntivi Polo/sonda
- . Trasmettitore NaviTrack
- . Pinza a induzione
- . Sonda a batteria
- . Sonda flottante

16. Legenda icona
ICONE SUL DISPLAY

- Frequenza Sonda
- Frequenza Traccia attiva
- Frequenza Traccia AC passiva
- Livello suono
- Livello batteria
- Profondità
- Indicatore angolo orizzontale
- Potenza del segnale
- Menu Tools [\"Strumenti\"]
- Contrasto LCD
- Retroilluminazione LCD

ICONE TASTIERINO

- Navigazione menu
- Selezione Audio Tono Reset/Menu Voce
- Menu Navigazione/Profondità forzata (tenere premuto per 3 sec.)
- Tasto Power ON/OFF [\"ON/OFF\"]
- Tasto Menu
- Tasto Sonde/Trace/Frequency Mode [\"Modalità Sonda/Traccia/Frequenza\"]
- Tasto Volume Control [\"Regolazione volume\"]

ES

NaviTrack Scout Instrucciones de funcionamiento

Traducción del manual original



INFORMACIÓN GENERAL SOBRE SEGURIDAD

¡ATENCIÓN! Asegúrese de leer y entender todas las instrucciones que se explican a continuación. De lo contrario, existe el riesgo de descargas eléctricas, incendios y lesiones graves.

LEA Y GUARDE BIEN ESTAS INSTRUCCIONES!

Si lo desea, puede solicitar la declaración CE de conformidad (890-011-320.10) como complemento independiente de este manual.

Precauciones con las pilas:

- **Utilice exclusivamente pilas del tamaño y tipo especificado. No mezcle pilas de distinto tipo (por ejemplo, alcalinas y recargables).** No mezcle pilas totalmente cargadas con otras cargadas parcialmente (pilas nuevas con viejas, por ejemplo).
- **Cuando recargue las pilas, hágalo con los cargadores especificados por el fabricante.** El uso de cargadores inadecuados puede recalentar y dañar las pilas.
- Deságase de las pilas usadas de manera adecuada. La exposición de las pilas a altas temperaturas puede provocar su explosión; tenga cuidado de no acercarlas al fuego. Algunos países cuentan con normativas específicas sobre el desecho de las pilas. Respete siempre todas las normativas en vigor al respecto.

1. Uso y cuidado del Scout

- **Utilice este aparato siguiendo las instrucciones que se proporcionan.** No utilice el Scout sin una preparación adecuada y antes de haber leído el manual del propietario.
- **No sumerja las antenas en agua.** Guárdelas en lugares secos. De esta forma disminuirá el riesgo de descargas eléctricas y daños en el aparato.
- **Compruebe si hay piezas o componentes rotos o cualquier otra circunstancia que pueda afectar al funcionamiento del Scout.** Si encontrara algún defecto, hágalo reparar antes de utilizarlo. La utilización de herramientas defectuosas es la causa de muchos accidentes.
- **Utilice solamente accesorios recomendados por el fabricante.** Tenga en cuenta que algunos accesorios que puedan ser adecuados para un instrumento pueden ser peligrosos en otras herramientas.
- **Procure mantener siempre los mangos secos y limpios, sin aceite ni grasa. Con ello facilitar el control del aparato.**
- **Proteja el aparato del calor excesivo.** El aparato debe estar siempre alejado de fuentes de calor, como radiadores, rejillas de aire caliente, estufas o cualquier otro dispositivo (incluidos amplificadores) que produzcan calor.

1.1 Mantenimiento

- **Las operaciones de diagnóstico de mantenimiento de la herramienta deben ser efectuadas siempre por personal cualificado.** De lo contrario, el usuario corre el riesgo de sufrir lesiones.
- **Mantenga la herramienta limpia.** Saque la pila antes de limpiar el aparato. No utilice productos de limpieza líquidos ni aerosoles. Emplee simplemente un trapo húmedo.
- **Lleve a cabo inspecciones de seguridad.** Después de realizar cualquier tarea de mantenimiento o reparación de esta herramienta, solicite al técnico de mantenimiento que realice inspecciones de seguridad para asegurarse de que el aparato está en perfectas condiciones de funcionamiento.
- **En caso de daños en el producto que requieren servicio técnico.** Quite las pilas y solicite asistencia técnica por parte de personal cualificado en cualquiera de los casos siguientes:
 - Si se ha derramado líquido en el producto o ha sufrido este algún golpe de algún objeto.
 - Si el producto no funciona normalmente siguiendo las instrucciones de funcionamiento.
 - Si el producto ha sufrido alguna caída o daño de cualquier tipo.
 - Si observa cualquier anomalía en su funcionamiento.

En toda correspondencia con el servicio técnico, deberá proporcionar todos los datos que figuran en la placa del nombre de la herramienta, incluido el número del modelo y el número de serie.

1.2 Aviso importante

El Scout es una herramienta de diagnósticos que capta campos electromagnéticos emitidos por objetos situados bajo tierra. Su propósito es ayudar al usuario a localizar dichos objetos mediante el reconocimiento de ciertas características de las líneas de campo, mostrándolas en la pantalla. Las líneas de campos electromagnéticos pueden sufrir distorsiones e interferencias, de ahí la importancia de confirmar la localización de los objetos subterráneos antes de realizar la excavación.

Es posible que exista más de un objeto subterráneo en la misma zona, por lo que se recomienda seguir siempre las normativas locales.

La única forma de asegurar al cien por cien la existencia de un objeto subterráneo, así como su localización y la profundidad a la que se encuentra es desenterrarlo.

Ridge Tool Co., sus afiliados y proveedores, no se responsabilizan de ningún perjuicio o daño, indirecto, incidental o consecuente, derivado del uso del Scout. Es posible que exista más de un objeto subterráneo en la misma zona, por lo que se recomienda seguir siempre las normativas locales.

El localizador de sondas y tuberías ScoutTM utiliza antenas multidireccionales y métodos avanzados que garantizan la rapidez, precisión y sencillez de la localización de sondas y el rastreo de líneas subterráneas.

2. Introducción al Scout

2.1 ¿En qué consisten sus características únicas?

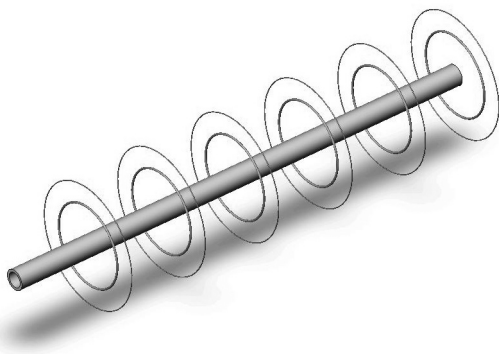
La avanzada tecnología del Scout le ofrece varias características únicas en su género con respecto a los localizadores convencionales:

- Sistema de antenas multidireccionales.
- Visualización por micromapa.
- Indicación de características de señales distintas.

2.2 ¿Qué hace?

El Scout se utiliza en la superficie para detectar campos electromagnéticos emitidos desde líneas ocultas o subterráneas (conductores eléctricos como cables metálicos o tuberías) o sondas (balizas de señales de transmisión activa). Si los campos son simples y no están distorsionados, los campos captados constituyen la referencia representativa del objeto enterrado que se pretende localizar. Así, el Scout localiza objetos conductores que emiten campos electromagnéticos; no capta directamente los objetos subterráneos.

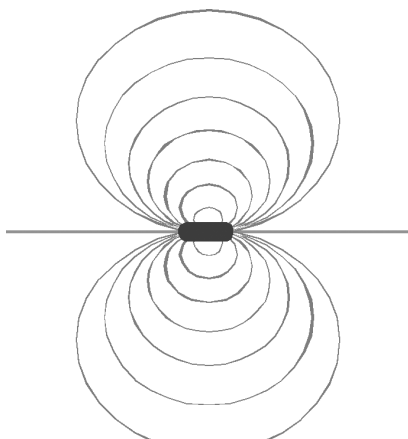
Los campos eléctricos emitidos por objetos bajo tierra pueden ser de dos tipos: el primero es el que emiten los conductores largos, como los cables de suministro de energía, los cables de empuje con cámaras de inspección o las tuberías. Dichos objetos producen un largo campo cilíndrico al que nos referimos generalmente como rastreo de "línea".



Campo emitido por una línea cargada.

(El rastreo pasivo de CA, es sólo un caso especial en el que se suministra energía a la línea).

El segundo tipo, las sondas (también llamadas transmisores, balizas de señales o sonda de tuberías) emiten un campo diferente, que el Scout mide y muestra en pantalla. La forma de campo más compleja de una sonda se denomina campo dipolar, y es el mismo que el que produce un imán recto o nuestro mismísimo planeta Tierra.

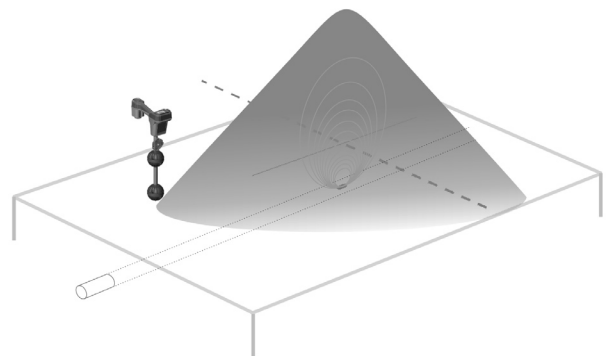


Campo dipolar emitido por una sonda.

Los campos electromagnéticos tienen tres (3) propiedades importantes: la frecuencia, la fuerza y el ángulo (dirección). Al contrario de los localizadores convencionales, que sólo pueden medir la fuerza en la misma dirección

de la antena o antenas individuales, el Scout mide tanto la fuerza de la señal como los ángulos de los campos en tres dimensiones (3D). Esto es lo que hace posible la visualización en forma de mapa en pantalla. Esta información adicional le sirve al operador experto para acelerar el proceso de localización y le ayuda a ordenar complejas situaciones de localización. Incluso un usuario inexperto u ocasional puede efectuar localizaciones sólo con la fuerza de la señal.

¡El número más alto: primera regla de localización del Scout! – La maximización de la potencia de la señal es el principal método de localización.



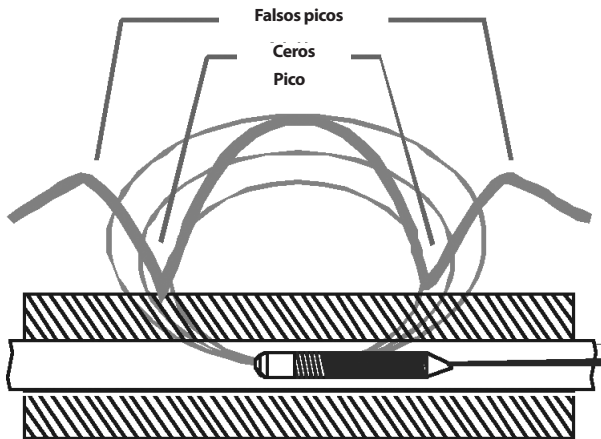
Ejemplo de cómo el Scout maximiza la señal directamente sobre la sonda.

Ya sea en el rastreo de línea o localizando una sonda, la potencia de señal será máxima al situarse sobre el objetivo, momento en el que se mostrará igualmente la profundidad en pantalla.

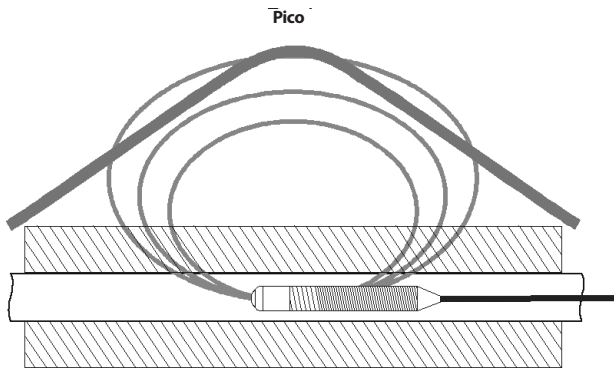
2.3 ¿En qué consiste la ventaja de las antenas multidireccionales del Scout?

La posibilidad de ver todas las señales de las antenas multidireccionales tiene importantes ventajas:

1. La señal se hace siempre más fuerte a medida que el usuario se acerca al objetivo.
2. Elimina los ceros y los "picos fantasma". La señal de un localizador convencional muestra un pico, después un cero, y a continuación un pico menor. Esto puede llevar a confusión al operador, ya que este puede interpretar un pico menor como el objetivo (lo que se conoce como picos "fantasma" o "falsos"). El Scout sólo ve un pico, que es el que le lleva al objetivo.



Señal de sonda tal y como la "ve" un localizador convencional. Pico principal en el centro y dos falsos picos fuera de los dos ceros.



Señal de sonda tal y como la "ve" el Scout. Sólo un pico, sin ceros.

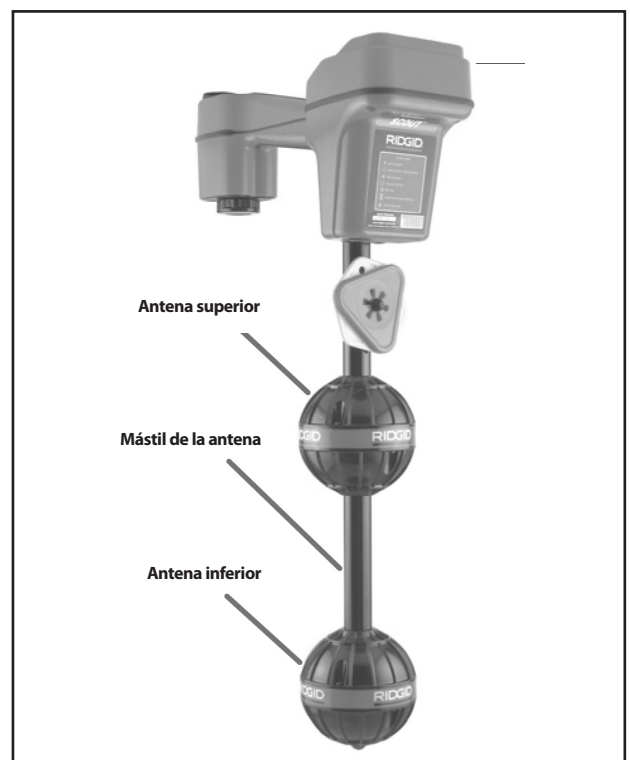
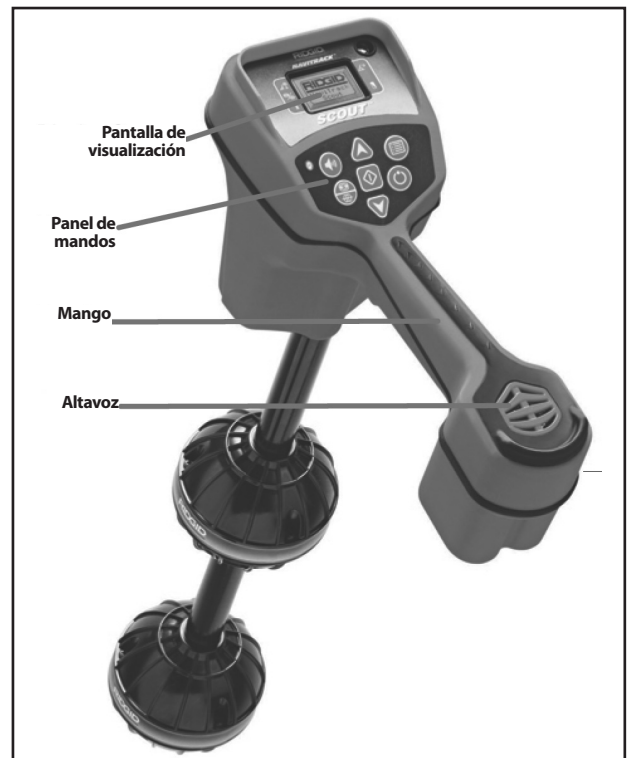
3. La potencia de la señal no se ve afectada por la forma en que se coge la unidad. El usuario puede aproximarse desde cualquier dirección, sin necesidad de conocer el emplazamiento de la tubería o del cable.
4. Herramientas adicionales para identificar y resolver localizaciones "difíciles", y que incluyen un micro mapa gráfico y un indicador de ángulos para ayudarle a interpretar características de señales.

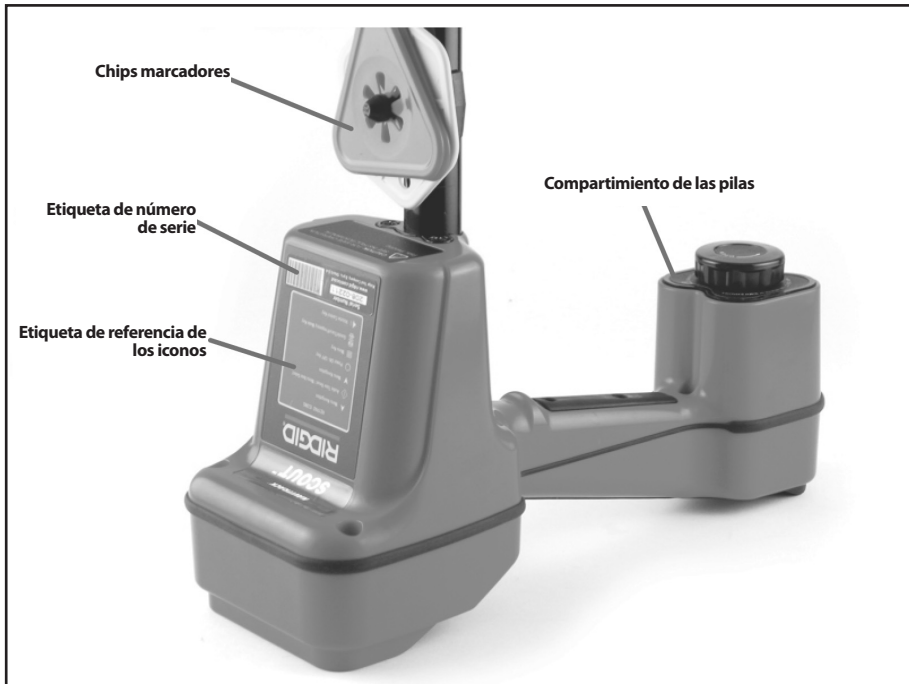
2.4 ¿Qué ventajas tiene la visualización por micro mapa?

El mapa le muestra gráficamente las características de la señal. Es como ver a vista de pájaro la señal subterránea, pero en la pantalla. Sirve de guía para rastrear líneas subterráneas y aumentar la precisión de las sondas. Es ideal para localizaciones complicadas, debido a la cantidad de información que proporciona.

Mediante el movimiento del localizador sobre el terreno, el Scout pasa por encima de la señal emitida por los objetos que se encuentran bajo tierra. Esto permite al usuario ver en pantalla las representaciones de la señal y marcarlas, al contrario que los localizadores convencionales, que no pueden "mapear" la señal subterránea, ya que sus antenas no son capaces de identificar su forma completa.

3. Componentes del Scout

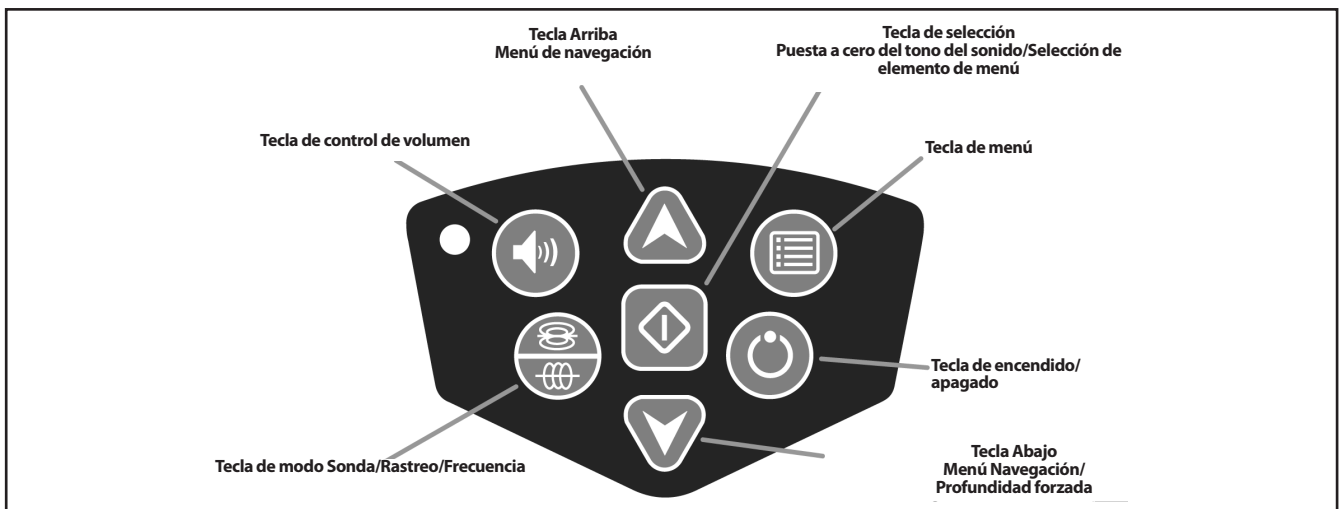




Pantalla de visualización



Panel de mandos



Tecla de control de volumen – abre y cierra el menú del nivel del sonido.

Tecla de modo Sonda/Rastreo/Frecuencia – cambia entre frecuencias y funciones activas.

Tecla Arriba – sube por los elementos del menú.

Tecla de selección – selecciona el elemento escogido cuando un menú está abierto.

Tecla Abajo – baja por los elementos del menú.

Tecla de Menú – abre/cierra el menú.

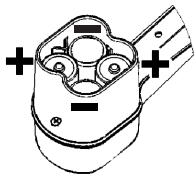
Tecla de encendido/apagado – enciende y apaga el Scout.

4. Antes de empezar

4.1 Colocación/Cambio de las pilas

Para introducir las pilas en el Scout, dele la vuelta a la unidad para acceder al compartimiento de las pilas. Gire la perilla de la tapa de las pilas en el sentido contrario al de las agujas del reloj. Tire hacia arriba de la perilla para sacar la tapa. Introduzca las pilas en la posición que se indica en la etiqueta del interior y asegúrese de que hacen contacto.

Coloque la tapa y gire la perilla en el sentido de las agujas del reloj presionando ligeramente hacia abajo para cerrar. La tapa de las pilas puede colocarse en cualquier orientación.



El Scout tarda unos segundos en comprobar la correcta colocación de las pilas al encenderse. Hasta ese momento, el nivel de carga aparecerá como vacío.

⚠ ATENCIÓN

Tenga cuidado de que no entre ninguna partícula ni materia extraña en el compartimiento de las pilas. De lo contrario, podrían impedir el contacto de las pilas, haciendo que se descarguen más rápidamente y provocando pérdidas de electrolito o riesgo de incendio.

4.2 Tiempo de funcionamiento

El tiempo de funcionamiento habitual de un localizador Scout, con pilas alcalinas, oscila entre 12 y 24 horas, dependiendo de factores como el volumen del sonido o la retroiluminación. Otro factor que afecta al tiempo de duración es el compuesto químico de las pilas (muchas de las nuevas pilas de alto rendimiento, como las "Duracell® ULTRA" duran realmente entre un 10 y un 20% más que las alcalinas convencionales, en aplicaciones muy exigentes). Del mismo modo, la vida de las pilas también es menor a bajas temperaturas.

Para prolongar la duración de las pilas, el Scout se apaga automáticamente si transcurre 1 hora sin que se apriete ningún botón. Para volver a ponerlo en marcha, sólo tiene que encender la unidad normalmente.

4.3 Encendido y apagado

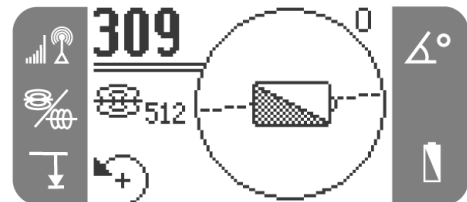
Para encender la máquina, apriete el botón de encendido del panel de mandos. Aparecerá el logotipo RIDGID® y el número de versión del software en la esquina inferior derecha de la pantalla.



Para apagarla, apriete y suelte el botón . Tenga en cuenta que la unidad tarda unos segundos tanto en encenderse como en apagarse.

4.4 Advertencia de carga baja

Cuando el nivel de carga de las pilas está bajo, aparece un ícono en forma de pila en la parte del mapa de la pantalla. Esto indica que las pilas han de cambiarse y que la unidad se apagará pronto.



Inmediatamente antes de apagarse completamente, se producirá una secuencia de apagado ininterrumpible.

En algunos casos, las pilas recargables pueden agotarse muy rápidamente y apagarse la unidad inmediatamente. En tal caso, la unidad se apagará y volverá a encenderse. Cambie las pilas y vuelva a encenderla.

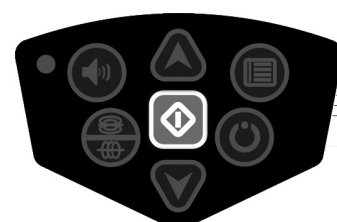
5. Configuración

Una vez que la unidad esté en funcionamiento, el siguiente paso es configurar las frecuencias necesarias para la localización. Cada frecuencia se activa seleccionándola de una lista del menú.

1. Apriete la tecla de menú, seleccione el elemento deseado y apriete la tecla de selección para activarlo.



2. Con las flechas arriba y abajo, seleccione la frecuencia que coincida con la de la sonda o la del transmisor de línea y, a continuación, apriete la tecla de selección para activar la casilla. Consulte las referencias del menú de Selecciones. Apriete la tecla de menú para volver a la pantalla principal.





⚠ ATENCIÓN

Asegúrese de que la frecuencia seleccionada es la que necesita. La 512 y la 33 son para frecuencia de rastreo TANTO de sonda COMO de línea. Si utiliza un frecuencia de sonda para rastreo de línea o viceversa, el Scout puede mostrar datos de profundidad incorrectos.

3. Seguidamente, apriete la tecla de modo Sonda/ Rastreo/Frecuencia para pasar de un modo o frecuencia a otro. Preste atención a los iconos de la pantalla para ver el modo en que el Scout está funcionando.



4. Si necesita ajustar la profundidad, la retroiluminación automática o el contraste de la pantalla LCD, seleccione el elemento correspondiente en la sección de herramientas del menú y haga los cambios necesarios utilizando la tecla de selección.



5.1 Menú de selecciones

Frecuencias del modo Sonda		512 Hz 640 Hz 874 Hz 33 Hz
Frecuencias del modo Rastreo de línea		50 Hz (Pasivo) 60 Hz (Pasivo) 512 Hz 8 kHz 33 kHz
Menú de Herramientas		Pies/Metros Retroiluminación automática Contraste de pantalla LCD

5.2 Sonidos del Scout

El sonido emitido por la herramienta indica el aumento o disminución de la potencia de la señal. Cuando la señal aumenta, también lo hace el tono y el volumen, y al contrario cuando la señal disminuye. A medida que la señal aumenta, el tono del sonido y el volumen aumentan únicamente para hacer avanzar al operario en la dirección de la potencia máxima de la señal. Si la potencia de la señal decae, el sonido volverá a una sucesión continua básica, como si no se hubiera percibido señal alguna.

El Scout cuenta con ganancia automática. Si la ganancia aumenta o disminuye un nivel, el sonido se situará en la intensidad máxima o mínima, respectivamente. Para ajustar el volumen del sonido, apriete la tecla de Sonido.



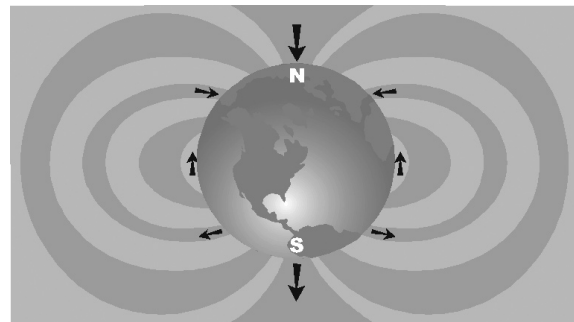
El sonido aumenta o disminuye con cada pulsación de la tecla, si bien también pueden utilizarse las flechas arriba y abajo para ello. Apriete la tecla de selección para salir de esta pantalla.



NOTA Apretando la tecla de selección durante el funcionamiento normal, el tono se estabilizará en el nivel medio.

5.3 Descripción general - Cómo funcionan las sondas con el Scout

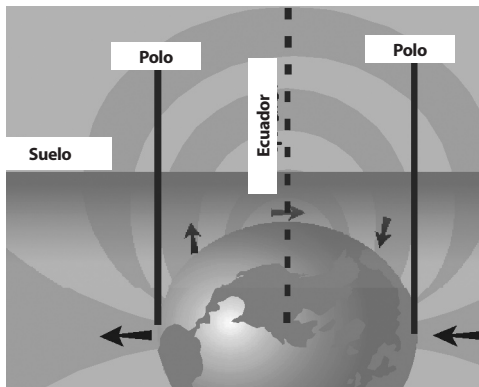
Las sondas (también llamadas transmisores, balizas de señales o sondas de tuberías) emiten un campo electromagnético muy similar al campo magnético que emana de la Tierra.



En realidad, si La Tierra girara de lado, su campo magnético sería muy similar al campo de una sonda.

El Scout, como localizador, es capaz de medir la forma (ángulo) de las líneas de campo que emite una sonda y de identificar distintas características de dichas líneas. Tres importantes características son los dos **POLOS** y el **ECUADOR**. En los polos, el ángulo de la señal es de 90 grados (vertical). En el ecuador es 0 (horizontal). Los polos son puntos distintos en el espacio, mientras que el ecuador envuelve la sonda por

completo. El hecho de que estas distintas características sean constantes es lo que permite localizar la sonda con toda precisión.



Los polos aparecen normalmente cuando los localizadores convencionales experimentan “ceros”, es decir, los puntos muertos que tienen lugar cuando la señal pasa verticalmente a través de sus antenas. La diferencia es que el Scout puede “ver” los polos (“ceros”) y mostrarle dónde están, **aún sin estar directamente encima de ellos, y sin importar cómo estén alineadas sus antenas con la señal.**

Esta es una de las razones que hacen la localización con el Scout mucho más fácil que con otros localizadores.

La sonda está ubicada en el punto en que el ecuador pasa directamente entre los dos polos.

5.4 Localización de la sonda

El Scout puede utilizarse para localizar la señal de una sonda (transmisor) en una tubería, de manera que pueda identificarse sin tener que ir bajo tierra. Las sondas pueden haber sido colocadas en puntos difíciles de la tubería, mediante un cable o varilla de empuje con cámara, o incluso introducidas con el agua de la tubería.

Las siguientes explicaciones se refieren a una sonda situada en una tubería horizontal, en terreno más o menos nivelado y con el Scout sujetado con el mástil de la antena vertical.

IMPORTANTE La potencia de la señal es el factor clave para determinar la ubicación de la sonda. Por ello, y para asegurar la precisión de la localización, es **NECESARIO** maximizar la potencia de señal antes de realizar ninguna excavación.

5.4.1 Al efectuar la localización de una sonda, proceda de la manera siguiente:

- **Antes** de colocar la sonda en la línea, compruebe con el Scout si está funcionando y si este está recibiendo su señal.
- Una vez que la sonda está en posición y transmitiendo, actívela y configure el Scout a su misma frecuencia. Compruebe si aparece el icono del modo “sonda”

ATENCIÓN

Asegúrese de que la frecuencia seleccionada es la que necesita. La 512 y la 33 son para frecuencia de rastreo TANTO de sonda COMO de línea. Si utiliza un frecuencia de sonda para rastreo de línea o viceversa, el Scout puede mostrar datos de profundidad incorrectos.

- Diríjase a la zona de localización sospechada. Si no conoce la dirección de la tubería, empuje la sonda dentro de la línea a una distancia más corta (~5 m del acceso es un buen punto de partida).

5.4.2 Localización de la sonda mediante uno de los siguientes métodos:

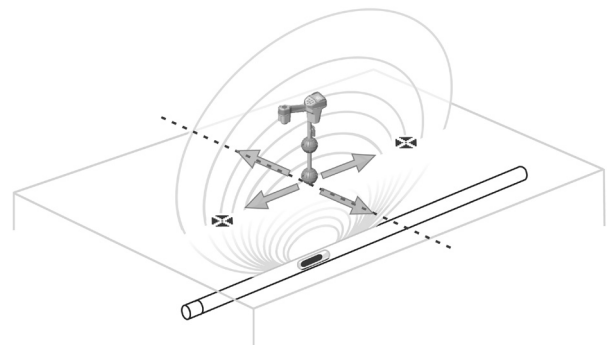
Método 1 – Maximizar la potencia de la señal

1. Sujete el Scout sin acercarse demasiado al mástil. Pase el mástil por la zona en la que sospeche que se encuentra la sonda, observe la potencia de la señal y escuche el sonido. La señal aumentará al máximo cuando el mástil apunte a la sonda.
2. Baje el Scout a su posición normal de funcionamiento (mástil vertical) y acérquese a la posición de la sonda. A medida que se acerque, la potencia de la señal irá aumentando y el sonido se irá haciendo más agudo. Utilice la potencia de señal y el sonido para **maximizar la señal.**



3. Una vez alcanzado el máximo, acerque el Scout al suelo sobre el pico y mévallo en todas direcciones para comprobar si la señal disminuye.

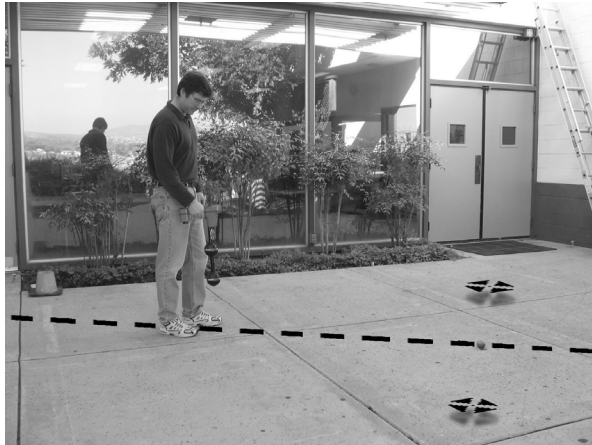
NOTA La señal máxima es la que cuenta. Tenga en cuenta que la línea del ecuador puede estar en una posición diferente si la sonda está inclinada (consulte la sección referente a las sondas inclinadas).



Método 2 – Seguir el ecuador y, a continuación, maximizar

1. El mejor resultado se obtiene en zonas descubiertas, sin obstáculos, y en las que se asume que **la sonda está en posición horizontal.** Pase el mástil y acérquese a la zona de la señal máxima, igual que en el Método 1.
2. Cuando el Scout muestre en pantalla la línea del ecuador estable en el centro de la pantalla, sígala a medida que aumenta la potencia de la señal. Cuando alcance la potencia máxima, desplace el Scout a lo largo del ecuador **y en todas direcciones**, para asegurarse de que está en el pico.

Si la sonda estuviera inclinada, asegúrese de alcanzar la potencia de señal máxima, ya que ese será el punto en el que se encuentre.



Verificación de la localización.

1. En el punto de máxima potencia de señal, y con el mástil vertical, mueva el Scout perpendicularmente a la línea del ecuador de la pantalla. Cuando aparezca el icono del polo, mueva el Scout hasta el icono quede centrado en el punto de mira **con la bola inferior de la antena** en el suelo. Coloque uno de los triángulos de marcación naranjas en ese punto.



Vista del Scout sobre el polo.

2. Mueva el Scout hacia atrás por la línea del ecuador hasta el otro polo. Centre el punto de mira en el segundo icono del polo y marque su posición de igual forma que el primero.
3. Vuelva a la **máxima potencia de señal**. Marque este punto en el suelo con el chip marcador hexagonal amarillo. Aleje lentamente la bola inferior de la antena del marcador amarillo moviéndola en todas direcciones sin dejar de observar la potencia de la señal en la pantalla. La potencia de la señal debe ser la máxima al dirigirse hacia la sonda.
4. Compruebe si los tres marcadores están alineados y si el marcador hexagonal amarillo está aproximadamente a medio camino entre los marcadores de los polos.

Si el marcador amarillo no está en el medio, consulte la sección referente a las sondas inclinadas.

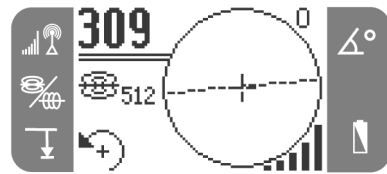
IMPORTANTE Situarse sobre el ecuador NO significa que esté situado sobre la sonda. Recuerde que lo importante en la localización de la sonda es la potencia de la señal. El punto clave es, pues, el de mayor potencia de señal. El nivel de burbuja de aire le ayudará a alcanzar la mayor precisión. El mástil DEBE estar vertical cuando marque los polos y el ecuador; de lo contrario, sus localizaciones serán incorrectas.

5.5 Medida de la profundidad

El Scout mide la profundidad comparando la potencia de la señal en la antena inferior a la antena superior.

La profundidad se mide cuando la antena inferior toca el suelo directamente sobre el objeto que emite la señal.

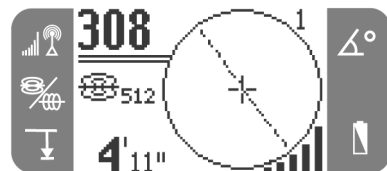
1. Para medir la profundidad, sitúe el localizador en el suelo, directamente encima de la sonda o la línea. El indicador de ángulo debe indicar 5 grados como máximo. A continuación, gire lentamente la unidad en la dirección de la flecha que aparece en la esquina **inferior izquierda** de la pantalla hasta que aparezca la profundidad.



El nivel de burbuja de aire resulta útil al medir la profundidad para asegurarse de que el mástil de la antena está vertical.

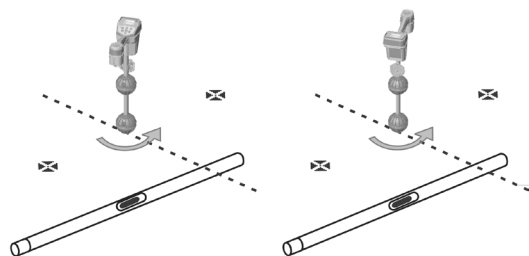
Para poder maximizar la señal y obtener una lectura de la profundidad más exacta, es necesario girar el Scout para alinear la antena con la señal.

2. La profundidad se muestra en la esquina inferior izquierda.



3. **Función de forzado de la profundidad** - Si el indicador de ángulo indica más de 5 grados, el Scout no leerá la profundidad. En tal caso, apretando y manteniendo apretada la tecla de la flecha abajo se forzará la profundidad, si la medida es posible (consulte la sección siguiente referente a las sondas inclinadas).

Cuando mida la profundidad, tome la medida, gire el Scout 180 grados (1/2 circunferencia) y vuelva a tomar otra medida. La bola inferior debe permanecer en la misma posición en el suelo y el mástil vertical. Si los valores de profundidad leídos no se encuentran dentro de un 10% aproximadamente uno de otro, deberá dudarse de la profundidad medida, ya que se habrá producido una distorsión.



5.6 Consejos prácticos para la localización de sondas

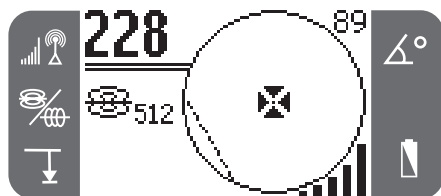
- Guíese del sonido en la medida de lo posible para llevar al Scout a la máxima potencia de señal.
- Si se cruza el ecuador y la señal no se maximiza, siga el ecuador para alcanzar la máxima potencia de señal. Recuerde que encontrar el ecuador de la sonda (la línea de puntos de la pantalla) NO significa que haya encontrado la sonda. También debe encontrarse el punto de máxima potencia de señal. Si la sonda está considerablemente inclinada, el ecuador NO quedará exactamente encima de la sonda y la distancia de la sonda a cada polo tampoco será la misma. Así pues, si la sonda está inclinada, maximice la señal.
- Asegúrese siempre de alcanzar el punto de máxima potencia de señal. Observe lo que le indica el mapa, a menos que esté completamente seguro de que se cumplen todas las condiciones necesarias. El mapa da por supuesto que:
 1. El terreno es nivelado.
 2. La sonda está nivelada.
 3. El localizador Scout está situado en una superficie nivelada.
 4. El localizador Scout está más o menos vertical, y el mástil de la antena dirigido recto hacia abajo.

Si no se cumplen estos requisitos, procure que la señal alcance su potencia máxima. Por lo general, si se cumplen las condiciones y el Scout está entre dos "profundidades" del origen de la señal, los datos del mapa serán de gran utilidad y precisión. Tenga esto especialmente en cuenta al usar el mapa si el origen o el destino de la señal son poco profundos. Si la sonda está muy poco profunda, el área de búsqueda del mapa por sí sola puede no resultar de gran utilidad.

5.7 Sondas inclinadas

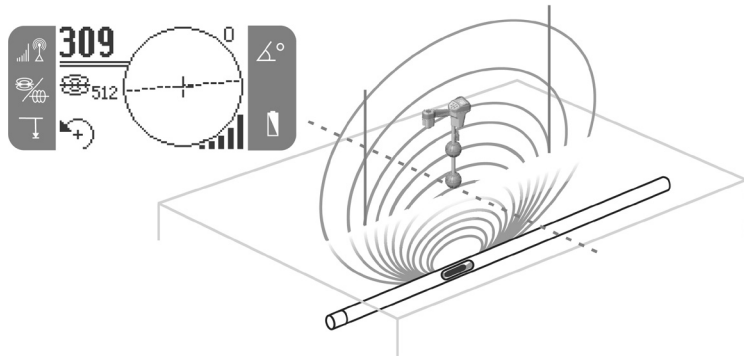
Si la sonda está inclinada, uno de los polos se acercará a la misma y el otro se alejará, con lo que la posición de la sonda ya no quedará a medio camino entre los dos polos. En tal caso, la potencia de la señal del polo más cercano se hará mucho mayor que la del más distante. En el extremo en el que la sonda se inclina verticalmente, el primer polo se mueve hacia un punto directamente por encima de la sonda, correspondiendo este polo al punto de potencia de señal máxima. El otro polo, por su parte, no se verá. De esta forma, aunque la sonda esté totalmente vertical, por ejemplo en casos en los que se hubiera introducido en algún recodo de la tubería o algún depósito subterráneo, la sonda puede ser localizada.

Lo que aparece en pantalla es un polo de máxima potencia de señal en caso de sonda vertical.

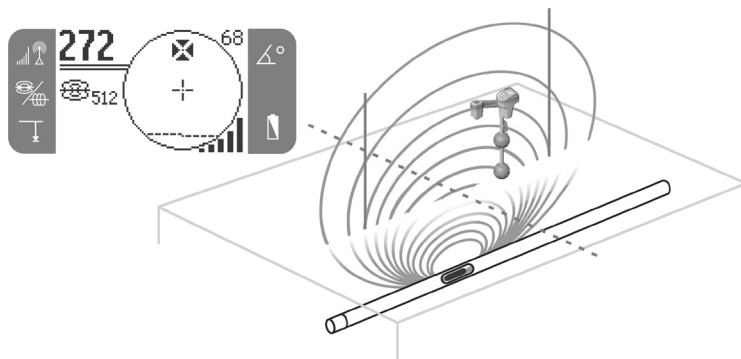


Las antenas multidireccionales hacen posible medir la profundidad aunque la sonda esté inclinada. En estos casos, deberá hacerse uso de la función de forzado de la profundidad (consulte la sección Medida de la profundidad).

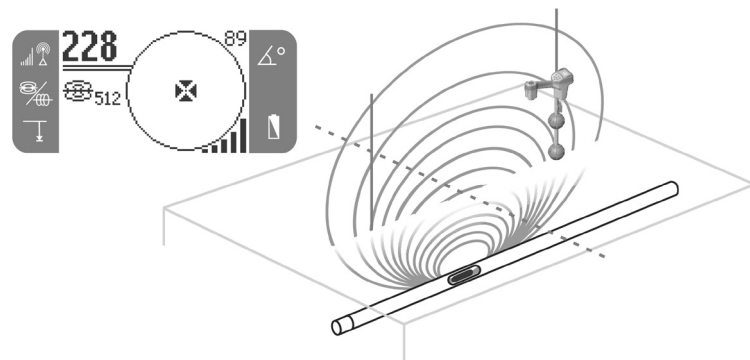
Micro mapa – Ejemplos – Modo Sonda



Scout en el ecuador



El Scout sale del ecuador y se aproxima al polo



Scout en el polo

6. Rastreo de una línea con el Scout

El Scout también puede utilizarse para rastrear un conductor o una tubería y poder marcar en el suelo el punto en el que se encuentran. De esta forma, se podrá evitar dicha zona durante una excavación o bien desenterrarla para efectuar reparaciones o sustituciones. El Scout puede utilizarse para localizar líneas activas con diversas frecuencias o bien de forma pasiva para realizar un barrido y localizar cualquier señal portadora de largos conductores. Las líneas subterráneas son activadas por medio de un transmisor de línea. La señal activa se rastrea posteriormente con un receptor, como el Scout.

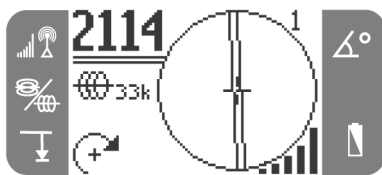
1. Conecte el transmisor de línea a la línea siguiendo las instrucciones del fabricante.

La palabra "transmisor" es un nombre genérico que se utiliza para cualquier cosa que genere una señal localizable. Se refiere tanto a una sonda como al dispositivo que se emplea para activar un cable o una tubería.

2. Ajuste la frecuencia del transmisor con la misma frecuencia del Scout. El icono de rastreo de línea ~ debe aparecer en pantalla. Apriete el botón del menú principal para volver a la pantalla de localización.



3. Antes de empezar el rastreo, es aconsejable observar la potencia de la señal para comprobar si disminuye al alejar el Scout. Apunte el mástil hacia los cables o el propio transmisor, si se utiliza el modo inductivo. Una vez sobre la línea, debe alcanzarse el nivel más alto y disminuir en cada lado. Si la potencia de la señal y las líneas de la pantalla NO corresponden, es posible que la señal esté distorsionada.
4. Al efectuar el rastreo de línea, la tubería o el cable serán representados en pantalla por 2 líneas continuas. Si el Scout efectúa el rastreo de una línea subterránea, las líneas de la pantalla se mantienen en el centro. Si la línea se desplaza a la izquierda o a la derecha, mueva el Scout hasta que vuelva al centro. La señal emitida por una línea alcanza su potencia máxima al situarse sobre ella. Si no ocurre así, es porque se ha producido una distorsión.



NOTA Cuando se utiliza una frecuencia de rastreo de línea, aparecen dos líneas en la pantalla. Cuando se utiliza una frecuencia de sonda, sólo aparece la línea del ecuador.

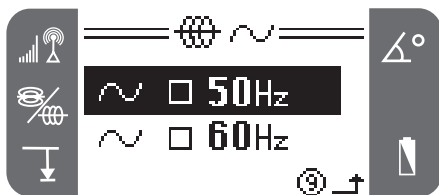
PRECAUCIÓN Vigile bien las interferencias de la señal, ya que pueden alterar la precisión de los datos indicados. La lectura de la profundidad debe considerarse como una estimación, debiendo verificarse la profundidad real desenterrando la línea antes de excavar.

5. Antes de empezar el rastreo, es aconsejable observar la potencia de la señal para comprobar si disminuye al alejar el Scout. Apunte el mástil hacia los cables o el propio transmisor, si se utiliza el modo inductivo. Una vez sobre la línea, debe alcanzarse el nivel más alto y disminuir en cada lado. Si la potencia de la señal y las líneas de la pantalla NO corresponden, es posible que la señal esté distorsionada.

6.1 Rastreo pasivo de línea de CA

En modo pasivo, el Scout capta la corriente alterna o los campos de CA. Las líneas eléctricas subterráneas normalmente no emiten ninguna señal rastreable, a no ser que la corriente pase por cables. Por ejemplo, las luces de las calles son difíciles de rastrear pasivamente si están apagadas.

1. Seleccione una frecuencia de rastreo pasivo de CA con el icono de rastreo pasivo de línea ~.
2. El Scout tiene dos (2) frecuencias de rastreo pasivo de CA, que son las estándar: 50 Hz y 60 Hz.



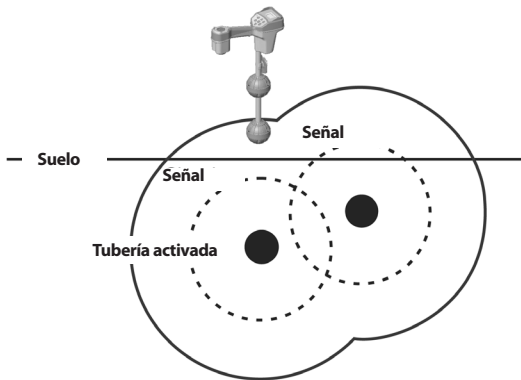
6.2 Consejos prácticos para el rastreo de línea

Si las líneas no están centradas en el mapa, y la potencia de señal está al máximo, puede deducirse que hay una distorsión.

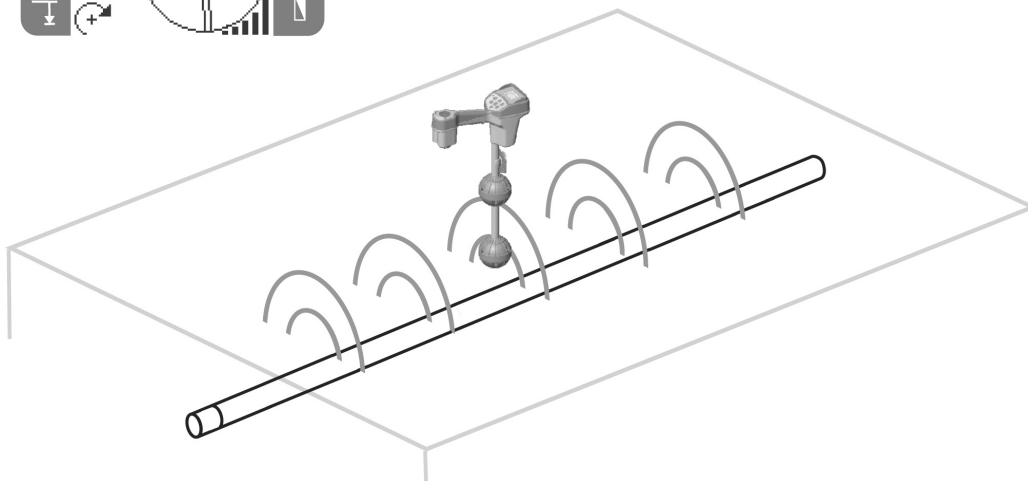
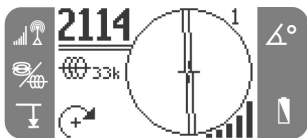
- a. Cambie la frecuencia a una menor.
 - b. Aleje el punto de referencia del suelo de la línea que va a rastrear.
 - c. Asegúrese de que la línea no está vinculada habitualmente a otra utilidad.
- Si las líneas no están centradas o se desplazan por la pantalla sin razón aparente, es posible que el Scout no esté recibiendo una señal clara.
- a. Asegúrese de que el transmisor está funcionando y bien conectado a tierra.
 - b. Pruebe el circuito apuntando la antena inferior a cada uno de los cables del transmisor.
 - c. Compruebe si el Scout y el transmisor están funcionando en la misma frecuencia.
 - d. Pruebe distintas frecuencias, empezando con la más baja, hasta que pueda captarse la línea con seguridad.
- La corriente pasa mejor desde las líneas más pequeñas a las más grandes (menor resistencia). Es como trazar una tubería desde una casa a la calle.
- Al efectuar un rastreo, la señal debe maximizarse y la profundidad reducirse al mínimo, en el mismo punto en que las líneas se centran en la pantalla. Si no es ese el caso, es posible que la utilidad esté girando o que haya otra pareja de señales.
- Las frecuencias más altas se desbordan más, pero pueden ser necesarias para sortear saltos en cables rastreadores o inspeccionar acopladores de aislamiento.
- Al utilizar el transmisor inductivamente, empiece la localización 10 ó 15 m más lejos para evitar el "acoplamiento de aire". Aquí es donde el Scout captará la señal directamente del transmisor, no de la línea que se va a rastrear.

Al realizar el rastreo, el micro mapa supone que se dan las siguientes condiciones:

- a. El suelo está nivelado.
 - b. La línea está nivelada.
 - c. El localizador Scout está situado en una superficie nivelada.
 - d. El mástil de la antena del Scout está más o menos vertical.
- Si no se cumplen estos requisitos, procure que la señal alcance su potencia máxima. Normalmente, si el Scout está entre dos "profundidades" de la línea, los datos del mapa serán de gran utilidad y precisión. Tenga esto especialmente en cuenta al usar el micro mapa si el destino o la línea son poco profundos. Si la línea está muy poco profunda, el área de búsqueda del micro mapa puede ser demasiado pequeña.



Micro mapa – Ejemplo - Rastreo de línea



7. Menú de Herramientas

7.1 Cambio de las unidades de profundidad

El Scout permite mostrar la medida de la profundidad en pies o en metros. Para pasar de una unidad a otra, sólo tiene que seleccionar el icono de profundidad en el Menú de Herramientas y apretar la tecla de selección.



de las pilas. A medida que las pilas se vayan agotando, la retroiluminación se irá atenuando. Cuado las pilas estén próximas a agotarse, le retroiluminación funcionará a muy bajo nivel para limitar al máximo el consumo de energía. Si desea desactivar la retroiluminación, seleccione el icono de la bombilla en la sección de herramientas del menú y apriete la tecla de selección, que permite pasar de Auto a OFF.



7.2 Retroiluminación automática

Los niveles bajos de iluminación son captados por un detector de luz incorporado en la esquina superior izquierda del panel de mandos. La retroiluminación puede forzarse bloqueando la luz de este sensor con el pulgar. La retroiluminación LCD automática está preconfigurada para encenderse sólo en condiciones de considerable oscuridad, con el fin de limitar el consumo

7.2.1 Contraste de la pantalla LCD

El contraste de la pantalla puede ajustarse con las flechas arriba y abajo.



8. Información de utilidad

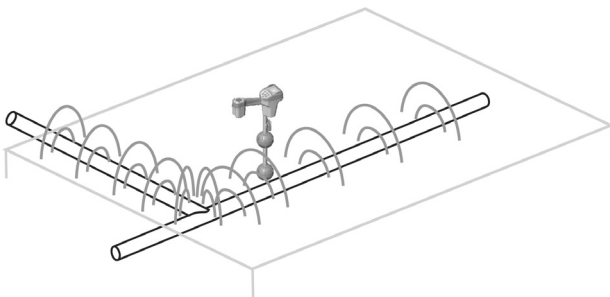
8.1 Interferencias de señales

8.1.1 Campos distorsionados

A veces, un campo puede encontrar en su camino materiales metálicos o de hierro que pueden distorsionar las líneas de campo. Esto puede ser debido a la intervención de alguna otra utilidad, objetos enterrados o antiguas líneas en desuso que pueden desviar o acortar las líneas de campo. En tal caso, el Scout puede emitir una señal más débil alrededor del objeto en cuestión y otra más fuerte si se sitúa directamente sobre él. El objeto puede actuar como una lente que amplifica o debilita la señal de manera imprevisible.

8.1.2 Campos compuestos

La formación de campos compuestos es otra posibilidad. Cuando un campo se encuentra con otro u otros, es posible que juntos creen una señal de mayor potencia. Es importante para el operario tener esto en cuenta cuando se encuentre cerca de tuberías o conductores en ángulo recto o en "T", ya que es en estos casos cuando se suelen formar los campos compuestos.



Campo compuesto mostrado alrededor de una conexión en la línea.

8.1.3 Ruido

Las señales de interferencia (ruido) forman parte de las tareas de localización. Las interferencias pueden producirse a la misma frecuencia que se está utilizando o "fuera de banda" en otras frecuencias. Algunas de las mayores señales de interferencia son generadas por equipos de transmisión eléctrica. Los transformadores de potencia, grandes motores, generadores o líneas eléctricas pueden originar señales de ruido muy grandes. En la medida de lo posible, deben evitarse las áreas particularmente ruidosas.

Un ángulo o unos niveles de señal no estables o continuos son el mejor ejemplo de la ausencia de señal de destino (sonda o línea de corriente) o de un alto nivel de ruido.

8.2 Notas sobre la precisión

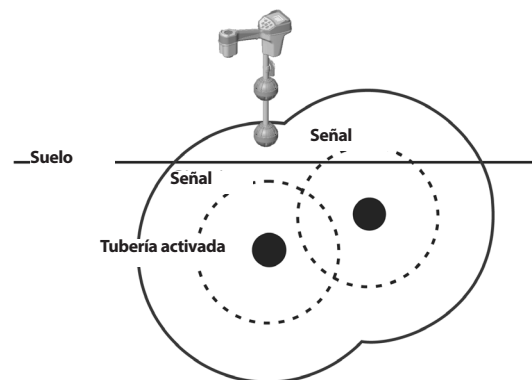
La medida de la profundidad y de la potencia de señal se basa en la recepción de una señal fuerte por parte del Scout. Recuerde que el Scout se utiliza en la superficie para detectar campos electromagnéticos emitidos desde líneas subterráneas (conductores eléctricos como cables metálicos o tuberías) o sondas (balizas de señales de transmisión activa). Si los campos son únicos

y no están distorsionados, los campos captados constituyen la referencia representativa del objeto enterrado que se pretende localizar.

Por el contrario, si los campos están distorsionados y hay varios campos interactuando, la localización del Scout será imprecisa. La localización no es una ciencia exacta, sino que requiere la intervención del operario, que debe buscar y valorar toda la información de la que dispone, aparte de los datos que el instrumento le pueda proporcionar. El Scout ofrece al usuario más información, pero sigue siendo tarea del mismo la interpretación correcta de la misma. Ningún fabricante de herramientas de localización pretende que los datos de su instrumento sean la única referencia a seguir por un operario.

Situaciones en las que la precisión de la localización puede verse afectada:

- **Presencia de otras líneas o utilidades.** El "desborde" puede producir campos distorsionados e iluminar líneas inintencionadamente. Utilice en la medida de lo posible bajas frecuencias y elimine todas las conexiones entre las dos líneas.



- **Utilización de un transmisor de manera inductiva.** Esta circunstancia da una señal débil a la línea. Utilice una conexión directa si es posible.
- **Presencia de T o hendiduras en la línea.** Pueden causar distorsiones en la señal.
- **Potencia de señal baja.** La localización necesita una señal fuerte para ser precisa.
- **Variación de las condiciones del suelo.** Los suelos excesivamente húmedos, secos o saturados pueden afectar a las medidas. Por ejemplo, un suelo saturado de agua salina, en costas, etc., actuará de blindaje para la señal y la localización se hará muy difícil.

9. Transporte y almacenamiento

Antes de transportar la unidad, asegúrese de que está apagada, para evitar que se agoten las pilas innecesariamente.

Durante el transporte, procure que la unidad vaya bien segura, que no se mueva y que no sufra golpes de otros objetos.

El Scout debe guardarse en lugares frescos y secos.

Si no va a utilizar el Scout durante un periodo de tiempo prolongado, quítele las pilas.

10. Instalación/Utilización de accesorios

El Scout viene suministrado con marcadores para identificar las ubicaciones de los polos o sondas en la superficie. El conjunto cuenta con dos (2) marcadores rojos para los polos y uno (1) amarillo para la sonda. Si necesita asistencia, póngase en contacto con su vendedor o representante RIDGID.

11. Mantenimiento y limpieza

⚠ ADVERTENCIA

1. Mantenga el Scout limpio con un paño húmedo y un poco de detergente suave. No lo sumerja en agua.
2. Durante la limpieza, no utilice herramientas o productos abrasivos que puedan provocar arañazos en la pantalla. **NUNCA USE DISOLVENTES** para limpiar ninguna pieza del sistema. Algunas sustancias como la acetona u otros productos químicos fuertes pueden agrietar la carcasa.

12. Localización de componentes defectuosos

En la guía de localización de averías del final del manual encontrará varios consejos y sugerencias al respecto. Si es necesario, Ridge Tool o su vendedor le proporcionará más información o asistencia.

13. Servicio y reparación

⚠ ADVERTENCIA

La herramienta debe ser suministrada por un Centro de servicio independiente autorizado RIDGID.

14. Guía de localización de averías

PROBLEMA	LOCALIZACIÓN PROBABLE DEL FALLO
El Scout se bloquea.	Spegnere l'apparecchio, quindi riaccenderlo. Se non è possibile spegnere l'apparecchio, rimuovere le batterie.
Durante el rastreo, las líneas "saltan" por toda la pantalla en el micro mapa.	Esto indica que el Scout no está captando la señal o bien se ha producido una interferencia.
	Compruebe si el transmisor está bien conectado a tierra. Apunte el Scout a cada cable para asegurarse de tener un circuito completo.
	Pruebe un frecuencia superior.
	Tntente determinar la fuente del ruido que pueda haber y elimínela.
Durante la localización de una sonda, las líneas "saltan" por toda la pantalla.	Compruebe si funcionan las pilas de la sonda.
	Verifique la señal acercando la antena inferior a la sonda. Nota – Las sondas tienen dificultades para emitir señales a través de tuberías de hierro fundido o dúctil.
La distancia entre la sonda y cada polo no es equitativa.	La sonda debe estar inclinada o debe haber una transición de hierro fundido a plástico.
La unidad funciona irregularmente y no se apaga.	Las pilas deben estar agotándose. Coloque pilas nuevas y vuelva a encender la unidad.
La apantalla aparece totalmente oscura, o totalmente clara al encenderla.	Apague la unidad y vuelva a encenderla.
	Ajuste el contraste de la pantalla LCD.
No hay sonido.	Ajuste el sonido en el menú de sonido.
El Scout no capta señal.	Compruebe si está utilizando el modo y frecuencia correctos.
El Scout no se enciende.	Compruebe si las pilas están colocadas en la dirección correcta. Asegúrese de que las pilas no están agotadas. Compruebe si las pilas hacen contacto. Es posible que se haya fundido un fusible (es necesaria una intervención técnica).

15. Specifications

Peso con pilas incluidas.....	1,4 kg
Peso sin pilas.....	1 kg
Dimensiones	
Longitud.....	28,5 cm
Anchura.....	11,0 cm
Altura.....	56,0 cm
Fuente de alimentación	
4 pilas alcalinas de tamaño C de 1,5 V (ANSI/NEDA 14A, IEC LR14) o pilas recargables NiMH o NiCad de 1,2 V	
Clasificación de potencia: 6 V, 550 mA	
Condiciones ambientales	
Temperatura.....	20°C a 50°C
Humedad.....	5% a 95% RH
Temperatura de almacenamiento.....	-20°C a 60°C
Frecuencias estándar	
Sonda.....	512 Hz, 640 Hz, 874 Hz, 33 kHz
Rastreo activo de línea.....	512 Hz, 8 kHz, 33 kHz
Rastreo pasivo de línea.....	60 Hz, 50 Hz

Configuración predeterminada

Los parámetros predeterminados del localizador son:
 Unidades de profundidad = Metros y centímetros
 Volumen = 1 (un nivel por encima de la posición de silencio)
 Retroiluminación = Automática

Equipo estándar

- . Localizador Scout
- . Marcadores y soporte de mástil
- . 2 Manuales del usuario: EEUU + Europa
- . 4 pilas C (alcalinas)
- . Vídeo PAL

Equipo opcional

- . Marcadores de polos/sonda adicionales
- . Transmisor NaviTrack
- . Abrazadera de inducción
- . Sonda de pilas
- . Flotador

16. Significado de los iconos

ICONOS DE LA PANTALLA

- Frecuencia de sonda
- Frecuencia de rastreo activo
- Frecuencia de rastreo pasivo (CA)
- Nivel de sonido
- Nivel de carga de las pilas
- Profundidad
- Indicador de ángulo horizontal
- Potencia de señal
- Menú de Herramientas
- Contraste de pantalla LCD
- Retroiluminación de pantalla LCD

ICONOS DEL PANEL DE MANDOS

- Menú de navegación
- Puesta a cero del tono del sonido/Selección de elemento de menú
- Menú de navegación/Profundidad forzada (pres. 3 seg.)
- Tecla de encendido/apagado
- Tecla de menú
- Tecla de modo Sonda/Rastreo/Frecuencia
- Tecla de control del volumen

PT

NaviTrack Scout

Instruções de funcionamento

Tradução do manual original



INFORMAÇÕES GERAIS DE SEGURANÇA

AVISO! Leia e compreenda todas as instruções. O não cumprimento de todas as instruções abaixo enunciadas pode resultar em choque eléctrico, incêndio, e/ou ferimentos pessoais graves.

**LEIA AS INSTRUÇÕES DE SEGURANÇA EM ANEXO.
GUARDE ESTAS INSTRUÇÕES!**

A declaração de conformidade CE (890-011-320.10) acompanhará este manual como um folheto separado, quando necessário.

Precauções com as pilhas:

- **Utilize apenas o tamanho e o tipo de pilhas especificados. Não misture tipos de pilhas (por ex., não utilize alcalinas com recarregáveis).** Não utilize pilhas parcialmente descarregadas e pilhas totalmente carregadas ao mesmo tempo (por ex., não misture antigas com novas).
- **Recarregue as pilhas com unidades de carga especificadas pelo fabricante das pilhas.** Utilize um carregador inadequado pode sobreaquecer e romper a pilha.
- **Efectue uma eliminação adequada das pilhas.** A exposição a temperaturas elevadas pode fazer a pilha explodir, portanto não as atire para o fogo. Alguns países têm regulamentos relativos à eliminação de pilhas. É favor seguir todos os regulamentos aplicáveis.

1. Utilização e cuidados a ter com o Scout

- **Utilize o equipamento apenas conforme indicado.** Não trabalhe com o Scout a não ser que tenha completado uma formação adequada e lido o manual do proprietário.
- **Não mergulhe as antenas em água.** Guarde num local seco. Estas medidas reduzem o risco de choque eléctrico e de danos no instrumento.
- **Verifique a existência de peças quebradas e de qualquer outro estado que possa afectar o funcionamento do Scout.** Se estiver danificado, mande arranjar o instrumento antes de o utilizar. Muitos acidentes são causados por ferramentas com pouca manutenção.
- **Utilize apenas acessórios recomendados pelo fabricante do Scout.** Os acessórios que podem ser adequados para um instrumento podem tornar-se perigosos quando utilizados num outro.
- **Mantenha as pegas secas e limpas, sem óleo nem gordura. Isto permite um melhor controlo do instrumento.**
- **Proteja contra o calor excessivo.** O produto deve estar localizado longe de fontes de calor, tais como radiadores, aquecedores, fornos e outros produtos (incluindo amplificadores) que produzam calor.

1.1 Assistência Técnica

- **A assistência técnica do instrumento de diagnóstico deve ser realizada apenas por pessoal de reparação qualificado.** A assistência técnica ou a manutenção realizada por pessoal de reparação não qualificado pode resultar em ferimentos.

- **Proporcione uma limpeza adequada.** Retire as pilhas antes de limpar. Não utilize produtos de limpeza líquidos nem produtos de limpeza tipo aerossol. Utilize um pano húmido para limpar.
- **Realize uma verificação de segurança.** Após a conclusão de qualquer assistência ou reparação a este produto, peça ao técnico de assistência técnica que realize as verificações de segurança para determinar se o produto está no estado de funcionamento adequado.
- **Danos no produto que exijam assistência técnica.** Retire as pilhas e peça assistência ao pessoal de assistência técnica qualificado em qualquer das seguintes condições:
 - Se tiver sido derramado líquido ou se tiverem caído objectos dentro do produto.
 - Se o produto não funcionar normalmente seguindo as instruções de funcionamento.
 - Se o produto tiver caído ou sido danificado de qualquer modo.
 - Quando o produto apresentar uma mudança significativa no desempenho.

Em qualquer dos casos, é favor fornecer todas as informações apresentadas na placa de características da sua ferramenta, incluindo o número do modelo e o número de série.

1.2 Aviso importante

O Scout é uma ferramenta de diagnóstico que detecta campos electromagnéticos emitidos por objectos subterrâneos. Destina-se a ajudar o utilizador a localizar estes objectos, reconhecendo características das linhas de campo e exibindo-as no ecrã. Pelo facto de as linhas de campo poderem estar distorcidas e com interferências, é importante verificar a localização de objectos subterrâneos antes de escavar.

Vários equipamentos de utilidade pública podem estar enterrados na mesma área. Certifique-se de que segue as directivas locais.

Expor o equipamento é o único modo de verificar a sua existência, localização e profundidade.

A Ridge Tool Co., as suas filiais e os seus fornecedores não se responsabilizarão por quaisquer ferimentos ou por quaisquer danos directos, indirectos, acidentais ou consequenciais sofridos ou incorridos devido à utilização do Scout. Vários equipamentos de utilidade pública podem estar enterrados na mesma área. Certifique-se de que segue as directivas locais.

2. Apresentação do Scout

O localizador de sondas e de linhas ScoutTM utiliza antenas multi-direccionais e um processo avançado para tornar mais rápida, precisa e fácil a localização de sondas e a procura de equipamentos de utilidade pública enterrados.

2.1 Quais são as suas características exclusivas?

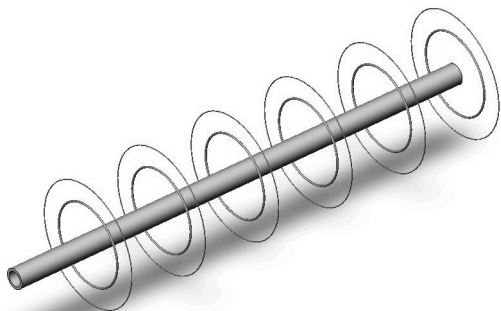
A tecnologia avançada do Scout proporciona algumas características exclusivas em relação aos localizadores convencionais:

- Sistema de antena multi-direccional.
- Visualização de micro-mapa.
- Características distintas de sinais de indicação.

2.2 O que é que faz?

O Scout é utilizado acima da superfície para detectar campos electromagnéticos emitidos a partir de linhas subterrâneas ou ocultas (condutores eléctricos, tais como fios eléctricos e tubos metálicos), ou sondas (sinais luminosos com transmissão activa). Quando os campos são simples e não estão distorcidos, então os campos detectados são representativos do objecto enterrado. O Scout localiza objectos condutores que emitem um campo; não detecta directamente objectos subterrâneos.

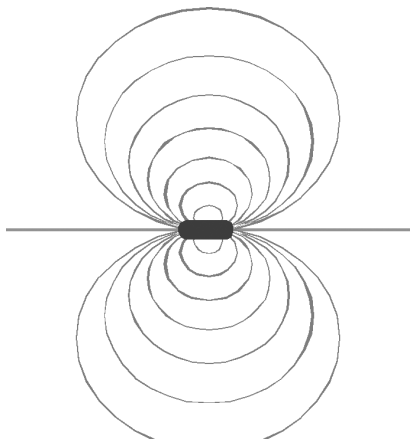
Os campos eléctricos emitidos por objectos enterrados podem ser de dois tipos; o primeiro tipo é emitido por condutores longos, tais como fios eléctricos energizados, cabos de contacto ou tubos da câmara de inspecção. Estes objectos produzem um longo campo cilíndrico e isto é muitas vezes referido como procura de "Linha".



O campo emitido por uma linha carregada.

(A Procura CA Passiva é apenas um caso especial em que a linha é "energizada" com alimentação eléctrica.)

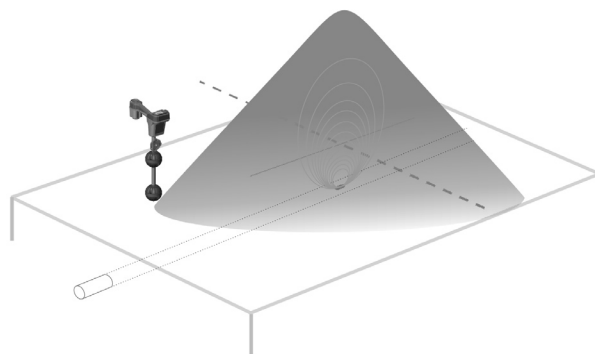
O segundo tipo, as sondas (também chamadas transmissores, sinais luminosos ou sondas activas da conduta), emitem um campo com formato diferente e o Scout é programado para medir e exibir este tipo de campo. O formato de campo mais complexo de uma sonda é denominado campo bipolar e é o mesmo que o produzido por um íman em barra e pelo nosso planeta Terra.



O campo bipolar emitido por uma sonda.

Os campos electromagnéticos têm três (3) propriedades importantes: frequência, intensidade e ângulo (d direcção). Ao contrário dos localizadores convencionais, que só podem medir a resistência na direcção da(s) antena(s) individual(ais), o Scout mede a intensidade do sinal e os ângulos do campo em três dimensões (3D). Esta capacidade melhorada possibilita a exibição do mapa. O operador experiente pode utilizar estas informações adicionais para acelerar o processo de localização e para ajudar a distinguir situações de localização complexas. Por outro lado, o utilizador ocasional ou com pouca experiência, pode localizar facilmente utilizando apenas a intensidade do sinal.

A regra n.º 1 de localização do Scout é aumentar o número! – Aumentar a intensidade do sinal é o método principal de localização.



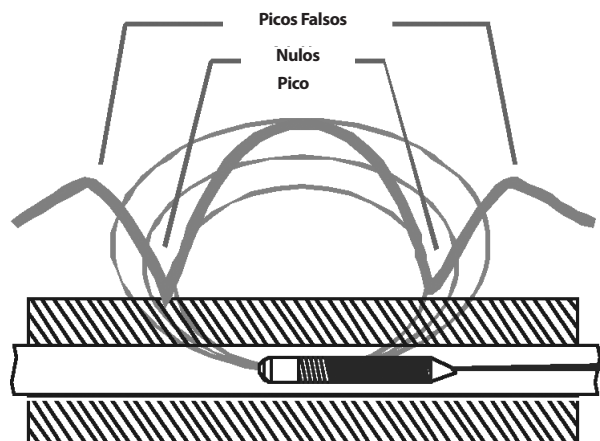
Exemplo de como o Scout aumenta directamente por cima da sonda.

Quer seja na procura de linha quer seja na localização de uma sonda, a intensidade máxima do sinal ocorre sobre o alvo. A profundidade é exibida quando se encontra sobre o alvo.

2.3 Qual é a vantagem multi-direccional do Scout?

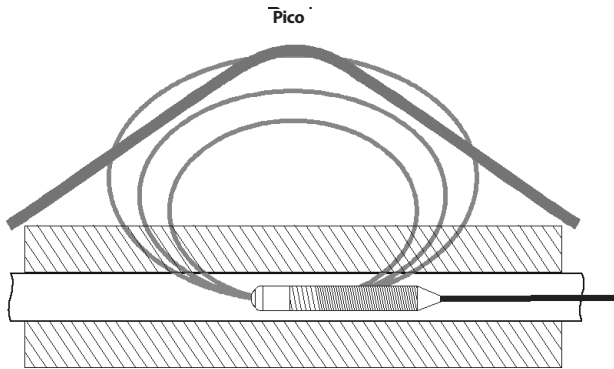
Visualizar todo o sinal com antenas Multi-direccionais oferece vantagens claras:

1. O sinal fica sempre mais forte à medida que o utilizador se aproxima do alvo.
2. Elimina Nulos e "Picos Fantasma". Um sinal de um localizador convencional tem um pico, depois um nulo e, em seguida, um pico mais pequeno. Isto pode confundir o operador, especialmente se ele interpretar um pico mais pequeno do que o alvo (conhecidos como picos "Fantasma" ou "Falsos"). O Scout visualiza apenas um pico para dirigir o utilizador para o alvo.



Sinal da sonda conforme "visto" por um localizador convencional. Pico principal no centro e dois picos falsos fora dos dois nulos.

3. Componentes do Scout



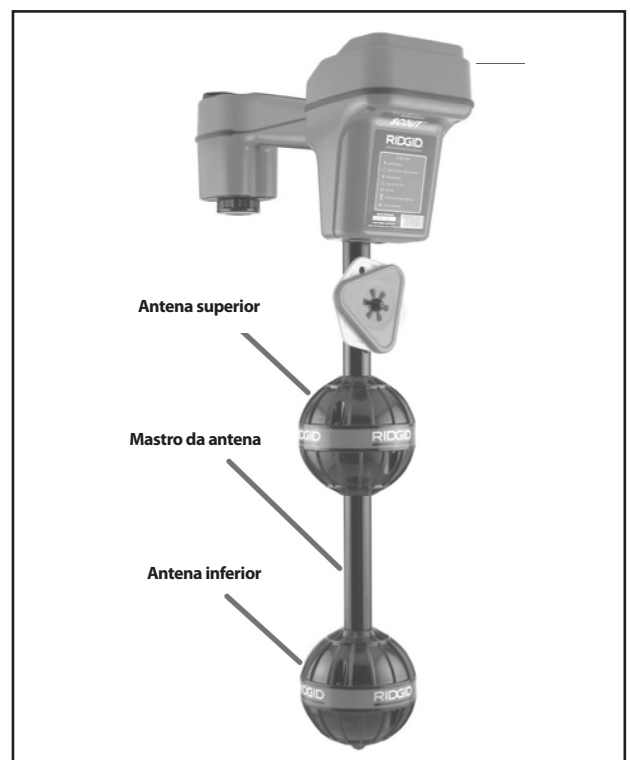
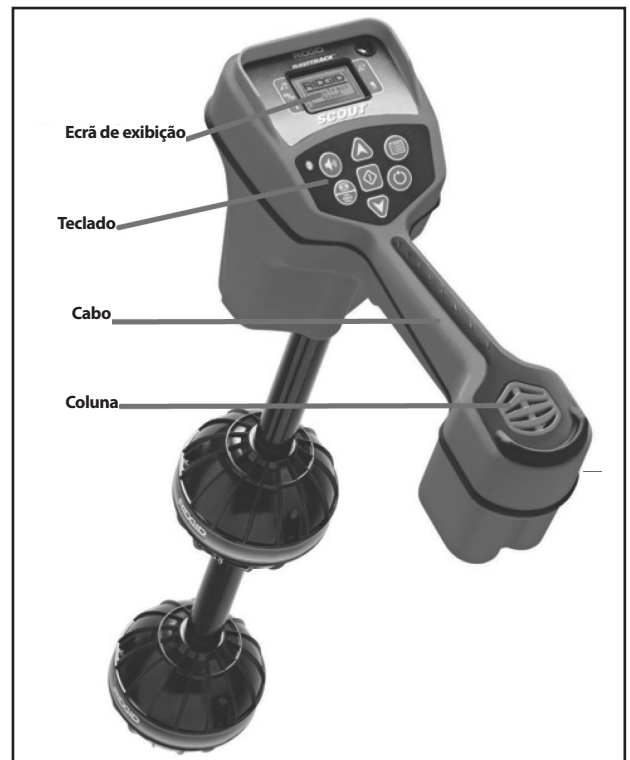
Sinal da sonda conforme “visto” pelo Scout. Apenas um pico, sem nulos.

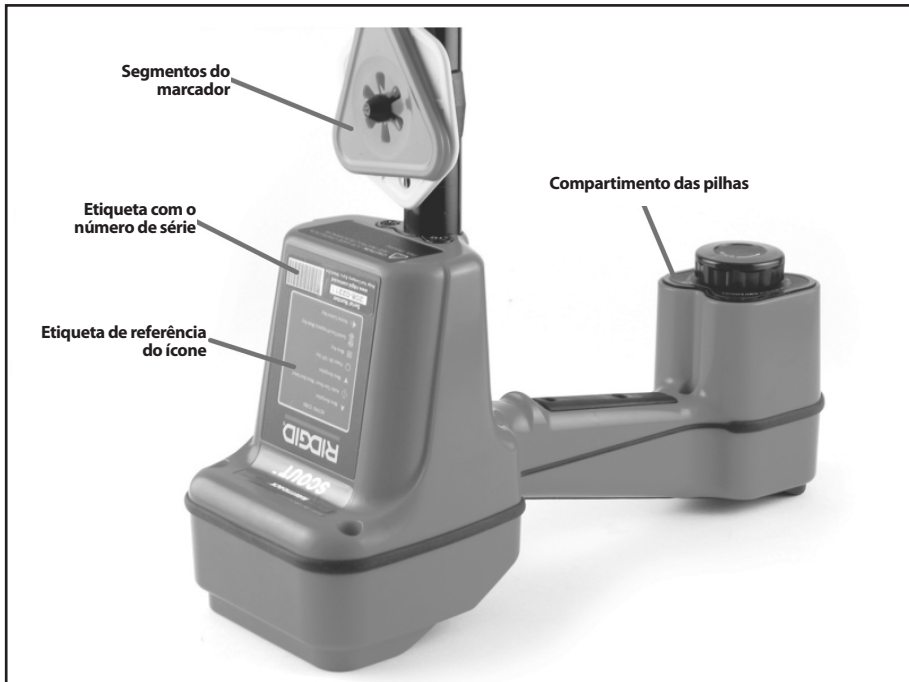
3. O modo como se segura a unidade não afecta a intensidade do sinal. O utilizador pode aproximar-se de qualquer direcção e não precisa de conhecer a localização do tubo ou do fio eléctrico.
4. As ferramentas adicionais para identificar e resolver locais “difíceis” incluem um micro-mapa gráfico e um indicador de ângulo para ajudar a interpretar as características do sinal.

2.4 Qual é a vantagem do micro-mapa?

O mapa fornece gráficos que apresentam as características do sinal. É um plano geral do sinal subterrâneo, apresentado graficamente no ecrã. É utilizado como um guia para procurar linhas subterrâneas e pode ser utilizado para indicar melhor as sondas. Também pode ser utilizado para fornecer mais informações em relação a locais complexos.

Movendo o localizador sobre a superfície, o Scout passa sobre o sinal emitido pelos objectos subterrâneos. Isto permite ao utilizador obter visualizações do sinal no ecrã e, em seguida, assinalá-las. Os localizadores convencionais não conseguem delinear o mapa do sinal subterrâneo, pois as respectivas antenas não conseguem ver o seu formato completo.

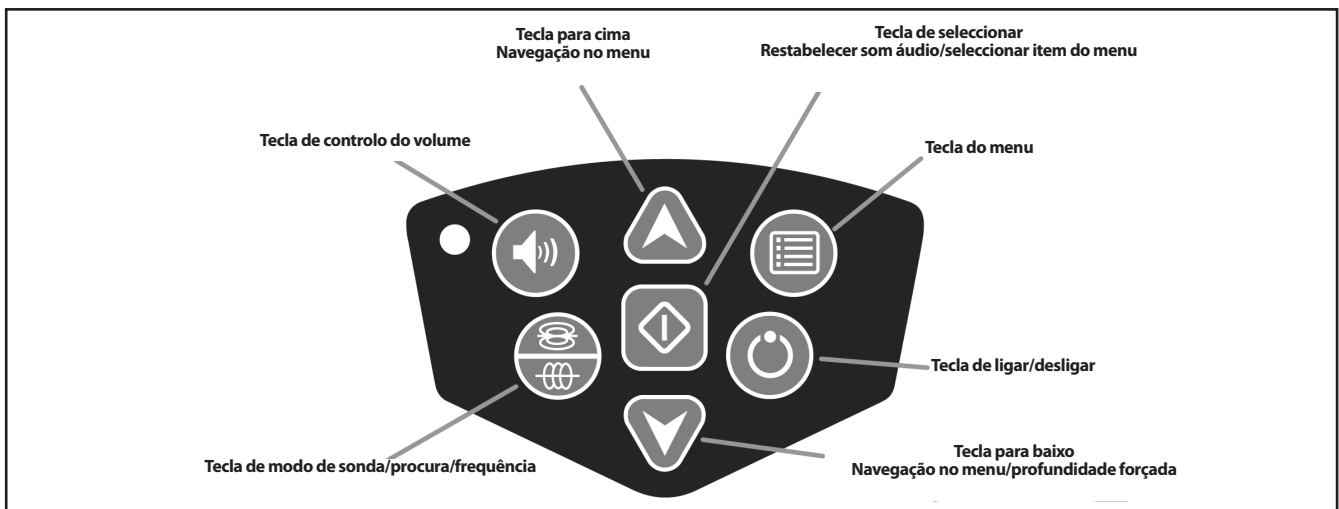




Ecrã de exibição



Teclado

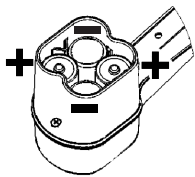


- Tecla de controlo do volume** – abre e fecha o menu de nível de som.
- Tecla de modo de sonda/procura/frequência** – troca frequências e funções activas.
- Tecla para cima** – anda para cima através das opções do menu.
- Tecla de seleccionar** – selecciona a opção realçada quando um menu está aberto.
- Tecla para baixo** – anda para baixo através das opções do menu.
- Tecla do menu** – abre/fecha o menu.
- Tecla de ligar/desligar** – liga e desliga o Scout

4. Iniciar

4.1 Instalar/mudar pilhas

Para instalar pilhas no Scout, vire a unidade ao contrário para ter acesso ao compartimento das pilhas. Rode o botão da tampa do compartimento das pilhas no sentido contrário ao dos ponteiros do relógio. Puxe pelo botão a direito para retirar a porta. Insira as pilhas conforme ilustrado no autocolante interior e certifique-se de que encaixam em contacto total. Coloque a porta no compartimento e rode o botão no sentido dos ponteiros do relógio enquanto pressiona ligeiramente para fechar. A tampa do compartimento das pilhas pode ser instalada em qualquer direcção.



Quando se liga o Scout, este demora alguns segundos a verificar as pilhas. Até então, o nível das pilhas apresentar-se-á como “vazio”.

⚠ AVISO

Não deixe entrar sujidade no compartimento das pilhas. Sujidade no compartimento das pilhas pode colocar os contactos das pilhas em curto-circuito, conduzindo a uma rápida descarga das pilhas, o que poderia resultar em fuga de electrólito ou risco de incêndio.

4.2 Tempo de funcionamento

O tempo de funcionamento normal do localizador Scout, se utilizar pilhas alcalinas, varia entre 12 e 24 horas, dependendo de factores como o volume do som e a frequência com que a iluminação de fundo está acesa. Outros factores que afectam o tempo de funcionamento incluem a química das pilhas (muitas das novas pilhas de alto desempenho, tais como as “Duracell® ULTRA”, duram mais 10%-20% do que as pilhas alcalinas convencionais em aplicações de elevada exigência). O funcionamento a baixas temperaturas também reduzirá a vida útil das pilhas.

Para preservar a vida útil das pilhas, o Scout desligar-se-á automaticamente passada 1 hora sem que se tenha pressionado qualquer tecla. Basta ligar a unidade para retomar a utilização.

4.3 Ligar e desligar

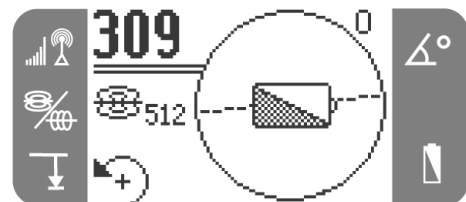
Ligue pressionando a tecla Ligar do teclado. O logótipo RIDGID® aparece, o número da versão do software aparecerá no canto inferior direito.



Desligue pressionando e libertando a tecla Ligar do teclado. Tenha em atenção que existe um atraso de alguns segundos enquanto liga/desliga a unidade.

4.4 Aviso de pilhas fracas

Quando as pilhas ficam fracas, aparecerá um ícone de pilha na área do mapa do ecrã. Isto indica que as pilhas precisam de ser mudadas e que a unidade desligar-se-á em breve.



Mesmo antes de se completar o encerramento, haverá uma sequência de desligamento ininterrupta.

Em alguns casos, a tensão das pilhas recarregáveis pode descer tão rapidamente, que a unidade desligar-se-á simplesmente. A unidade desligar-se-á e reiniciará. Basta substituir as pilhas e voltar a ligar a unidade.

5. Configurar

Depois de o Scout estar pronto e a funcionar, o próximo passo é definir as frequências necessárias que coincidam com o equipamento a ser localizado. Cada uma é activada para utilização sendo seleccionada a partir de uma lista no menu.

1. Pressione a tecla de menu, realce a selecção, depois pressione a tecla de seleccionar para activar:



2. Utilizando as setas para cima e para baixo realce uma frequência que coincida com a utilizada na sonda ou no transmissor da linha; em seguida, pressione a tecla de seleccionar para assinalar o quadrado. Consulte o menu Escolhas para referência. Pressione a tecla de menu para regressar ao ecrã principal.

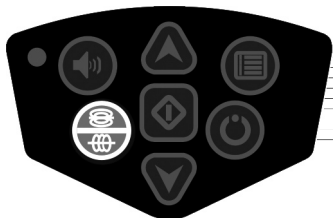




AVISO

Certifique-se de que a frequência seleccionada coincide com a utilização desejada. 512 e 33 estão disponíveis como uma frequência de sonda E de procura de linha. Utilizar uma frequência de sonda para procurar linhas, ou vice-versa, pode fazer com que o Scout exiba uma informação de profundidade incorrecta.

- Agora, pressione a tecla de modo de sonda/procura/ frequência para circular através das frequências e modos activados. Preste atenção aos ícones no ecrã para ver qual o modo em que o Scout está a trabalhar.



- Se a profundidade, a iluminação de fundo automática ou o contraste de LCD necessitarem de ser ajustados, então realce a selecção na secção das ferramentas do menu e faça as alterações utilizando a tecla de seleccionar.



5.1 Escolhas de menu

Frequências de modo da sonda		512 Hz 640 Hz 874 Hz 33 Hz
Frequências de modo de procura de linhas		50 Hz (Passiva) 60 Hz (Passiva) 512 Hz 8 kHz 33 kHz
Menu Ferramentas		Pés/Metros Iluminação de fundo automática Contraste do LCD

5.2 Sons do Scout

O som está relacionado com o aumento ou a diminuição da intensidade do sinal. Aumenta em potência e em volume quando o sinal aumenta, ou desce

quando o sinal diminui. À medida que o sinal aumenta, vai aumentando em potência e em volume na subida só para ajudar a empurrar o operador para a intensidade de sinal máxima. Se a intensidade do sinal cair, o som regressa a um trémulo base como se não visse qualquer sinal.

O Scout tem um ganho automático. Quando o ganho se desloca um passo para cima ou para baixo, o som restabelecer-se-á para a intensidade mais alta ou mais baixa.

Ajuste o volume do som pressionando a tecla de som.



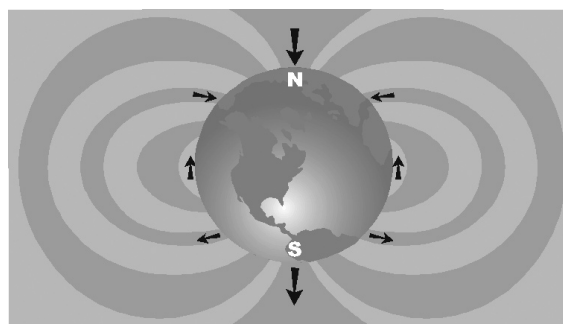
O volume mover-se-á sempre que se pressionar a tecla de som ou poderá utilizar também as setas para cima e para baixo para ajustar o volume. Pressione a tecla de seleccionar para sair deste ecrã.



NOTA Pressionar a tecla de seleccionar durante o funcionamento normal centrará a potência num nível médio.

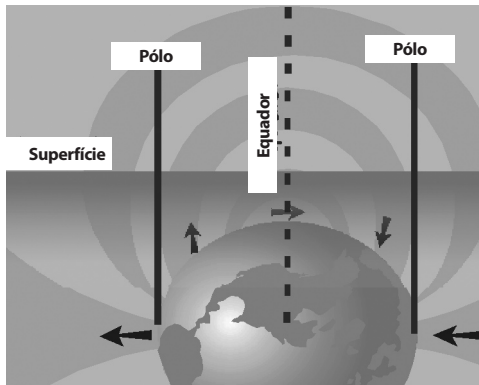
5.3 Aspecto geral - Compreender as sondas e o Scout

As sondas (também chamadas transmissores, sinais luminosos ou sondas de conduta activas) emitem um campo electromagnético muito semelhante ao campo magnético que emana da Terra.



De facto, se a Terra estivesse virada de lado, o seu campo magnético parecer-se-ia muito com o campo de uma sonda.

Como um localizador, o Scout pode medir o formato (ângulo) das linhas de campo a partir de uma sonda e identificar diferentes características destas linhas. Três importantes características são os dois **PÓLOS** e o **EQUADOR**. Nos Pólos, o ângulo do sinal é de 90 graus (vertical). No Equador é de 0 (horizontal). Os pólos são diferentes pontos no espaço, enquanto que o Equador se envolve totalmente à volta da sonda. Uma vez que estas diferentes características são constantes, podem ser utilizadas para indicar com exactidão a localização da sonda.



Os Pólos ocorrem normalmente onde os localizadores convencionais experimentaríamos “nulos”, os pontos mortos que ocorrem quando o sinal passa verticalmente através das suas antenas. A diferença é que o Scout pode “ver” os Pólos (“nulos”) e mostrar-lhe onde estão, **mesmo quando não está directamente sobre eles e independentemente do alinhamento das antenas do Scout com o sinal.**

Esta é uma das razões pelas quais localizar com o Scout é muito mais fácil do que com os localizadores convencionais.

A sonda está localizada no ponto onde o Equador passa directamente entre os dois Pólos.

5.4 Localizar a sonda

O Scout pode ser utilizado para localizar o sinal de uma sonda (transmissor) num tubo, para que a sua localização possa ser identificada à superfície. As sondas podem ser colocadas num ponto problemático no tubo utilizando uma alavanca ou um cabo de recuperação. Também podem ser empurrados pelo tubo abaixo.

O que se segue assume que a sonda está num tubo horizontal, que a superfície está aproximadamente nivelada e que o Scout é mantido com o mastro da antena na vertical.

IMPORTANTE A intensidade do sinal é o factor principal na determinação da localização da sonda. Para assegurar uma localização exacta, TEM de ter o cuidado de aumentar a intensidade do sinal antes de marcar uma área para escavação.

5.4.1 Ao localizar uma sonda, prepare a localização do seguinte modo:

- **Antes** de colocar a sonda na linha, utilize o Scout para se certificar de que está a funcionar e de que o Scout está a receber o respectivo sinal.
- Depois de a sonda estar em posição e a transmitir, active a sonda e faça coincidir a mesma frequência que a da sonda no Scout. Certifique-se de que tem um ícone do modo de sonda

⚠ AVISO

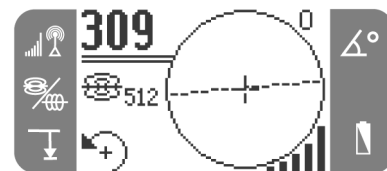
Certifique-se de que a frequência seleccionada coincide com a utilização desejada. 512 e 33 estão disponíveis como uma frequência de sonda E de procura de linha. Utilizar uma frequência de sonda para procurar linhas, ou vice-versa, pode fazer com que o Scout exiba uma informação de profundidade incorrecta.

- Dirija-se ao suposto local da sonda. Se a orientação do tubo for desconhecida, empurre a sonda uma pequena distância para dentro da linha (~5 metros a partir do acesso é um bom ponto de partida).

5.4.2 Em seguida utilize um dos seguintes métodos para localizar a sonda:

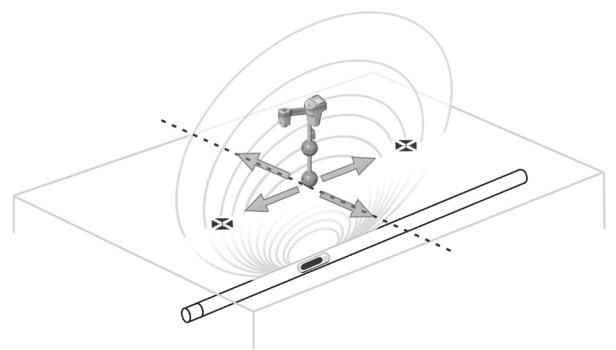
Método 1 – Aumentar a intensidade do Sinal

1. Segure no Scout de modo que o mastro fique afastado do seu corpo. Arraste o mastro na suposta direcção da sonda ao mesmo tempo que observa a intensidade do sinal e ouve o som. O sinal será mais elevado quando o mastro estiver a apontar para a sonda.
2. Baixe o Scout para a sua posição normal de funcionamento (mastro na vertical) e caminhe na direcção da sonda. À medida que se aproxima, a intensidade do sinal irá aumentando e o tom áudio aumentará em potência. Utilize a intensidade do sinal e o som para **aumentar o sinal.**



3. Depois de ter descoberto o máximo, coloque o Scout próximo da superfície sobre o pico e caminhe em todas as direcções para se certificar de que o sinal diminui.

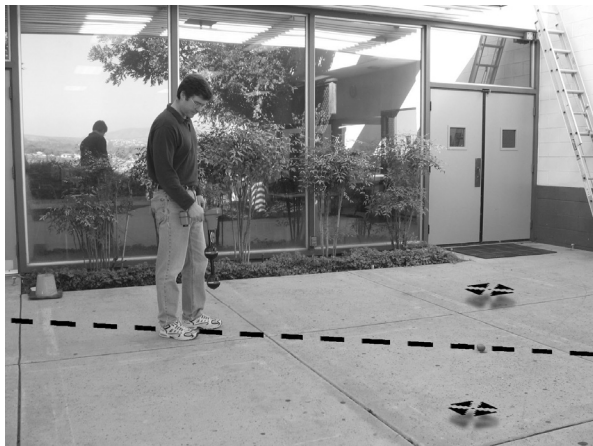
NOTA O sinal mais elevado conta, a linha do Equador pode estar numa posição diferente da do sinal mais elevado se a sonda estiver inclinada (consulte a secção da sonda inclinada)



Método 2 – Seguir o Equador – Depois aumentar

1. Funciona melhor em áreas abertas e desobstruídas, quando **é suposto que a sonda esteja na horizontal.** Arraste o mastro e, em seguida, caminhe na direcção da intensidade máxima do sinal, tal como no Método 1
2. Quando o Scout exibir uma linha de Equador **estável** fica centrada no ecrã. Siga-a na direcção de aumento da intensidade do sinal. Quando atingir a intensidade máxima do sinal desloque o Scout ao longo do Equador e em **todas** as direcções para se certificar de que está no pico.

Se a Sonda estiver inclinada certifique-se de que encontra o sinal máximo uma vez que é o lugar onde estará localizada a sonda.



Verifique a localização.

1. No ponto de intensidade máxima do sinal, e com o mastro na vertical, desloque o Scout perpendicularmente à linha do Equador no ecrã. Quando aparecer o ícone de Pólo, desloque o Scout até que o ícone de Pólo esteja centrado nos fios cruzados com a bola da antena inferior na superfície. Coloque uma dos marcadores triangulares cor-de-laranja na superfície neste local.



Vista quando o Scout está sobre o pólo.

2. Desloque o Scout para trás ao longo da linha do Equador até ao outro pólo. Centre os fios cruzados no ícone do segundo Pólo e marque a sua posição como anteriormente.
3. Desloque-se novamente para a **intensidade máxima do sinal**. Marque este ponto na superfície com o segmento do marcador hexagonal amarelo. Afaste lentamente a bola da antena inferior do marcador amarelo em todas as direcções ao mesmo tempo que observa a exibição da intensidade do sinal. A intensidade do sinal deverá ser mais elevada directamente por cima da sonda.
4. Veja se todos os três marcadores estão alinhados e se o marcador hexagonal amarelo está aproximadamente a meio dos marcadores dos Pólos.

Se o marcador amarelo não estiver no meio, consulte a secção das sondas inclinadas.

IMPORTANTE Estar sobre o Equador NÃO significa que está sobre a sonda! Lembre-se que a intensidade do sinal é o factor principal para a localização da sonda. Tem de estar no ponto da intensidade máxima do sinal. Para uma maior precisão, utilize o nível de bolha. O mastro TEM de estar na vertical quando assinalar os Pólos e o Equador, senão as suas localizações estarão incorrectas!!

5.5 Medir a profundidade

TO Scout mede a profundidade comparando a intensidade do sinal na antena inferior em relação à antena superior.

A profundidade é medida quando a antena inferior está a tocar na superfície directamente por cima da fonte do sinal.

1. Para medir a profundidade, coloque o localizador sobre a superfície, directamente acima da sonda ou da linha. Certifique-se de que o indicador do ângulo lê 5 graus ou menos. Em seguida, rode lentamente a unidade na direcção da seta existente na **parte inferior esquerda** do ecrã até a profundidade aparecer.



O nível de bolha é útil quando medir a profundidade para se certificar de que o mastro da antena está na vertical.

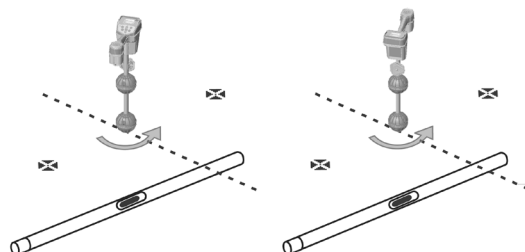
Para aumentar o sinal e obter uma leitura mais precisa da profundidade, o Scout tem de ser rodado para alinhar a antena com o sinal.

2. A profundidade será apresentada no canto inferior esquerdo.



3. **Função de Forçar a Profundidade** - Se o indicador do ângulo ler mais dos que 5 graus, então o Scout não fornecerá uma medição da profundidade. Pressione e mantenha pressionada a tecla de seta. Isto forçará a profundidade, se esta puder ser medida (consulte a secção que se segue sobre sondas inclinadas).

Ao verificar a profundidade, efectue sempre uma medição, em seguida rode o Scout 180 graus (1/2 círculo) e efectue outra medição da profundidade. Certifique-se de que a esfera inferior permanece na mesma posição sobre a superfície e de que o mastro está na vertical. Se as leituras da profundidade não se encontrarem a cerca de 10% uma da outra, é porque existe distorção e a leitura da profundidade deve ser questionada.



5.6 Sugestões para localizar uma sonda

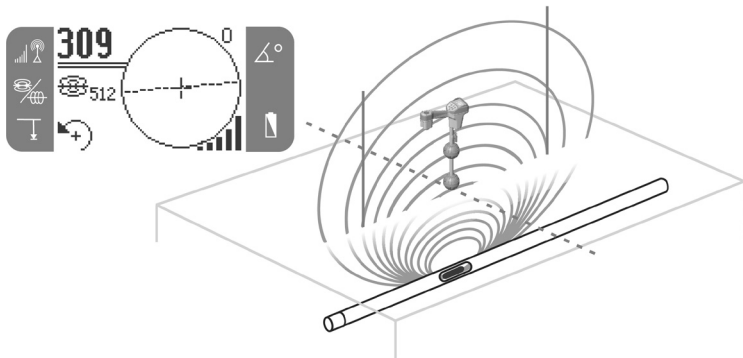
- Utilize o som, quando possível, para ajudar a guiar o Scout para a intensidade máxima do sinal.
- Se o Equador for atravessado, e o sinal não for aumentado, siga o Equador até à intensidade mais elevada do sinal. Descobrir simplesmente o Equador da sonda (a linha tracejada no ecrã) NÃO indica que a sonda foi encontrada. O ponto de intensidade

máxima do sinal também tem de ser encontrado. Se a sonda estiver acentuadamente inclinada, o Equador NÃO se encontrará directamente por cima da sonda e a distância da sonda até cada um dos Pólos não será igual. Se a sonda estiver inclinada, aumente o sinal.

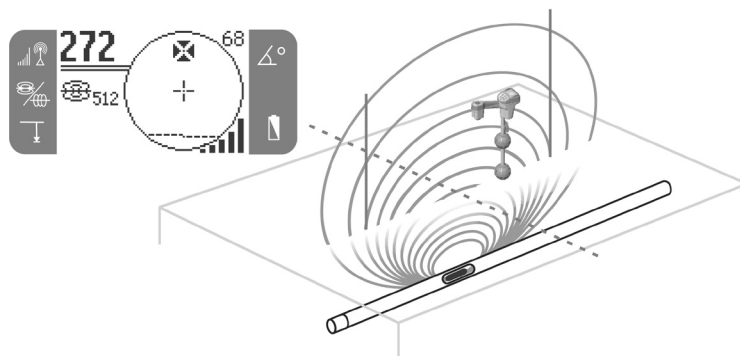
- Confirme sempre o ponto de intensidade máxima do sinal. Verifique o que o mapa está a mostrar, a não ser que tenha a certeza de que todas as condições necessárias foram cumpridas. O mapa assume as seguintes condições:
 1. A superfície está nivelada.
 2. A sonda está nivelada.
 3. O Localizador Scout está acima do nível da superfície.
 4. O Localizador Scout está mantido aproximadamente na vertical, com o mastro da antena a apontar para baixo.

Se estas condições não forem cumpridas, preste muita atenção ao aumento da intensidade do sinal. Em geral, se as condições acima indicadas forem verdade e se o Scout se encontrar entre cerca de duas "profundidades" da fonte do sinal, o mapa será útil e preciso. Esteja consciente disto

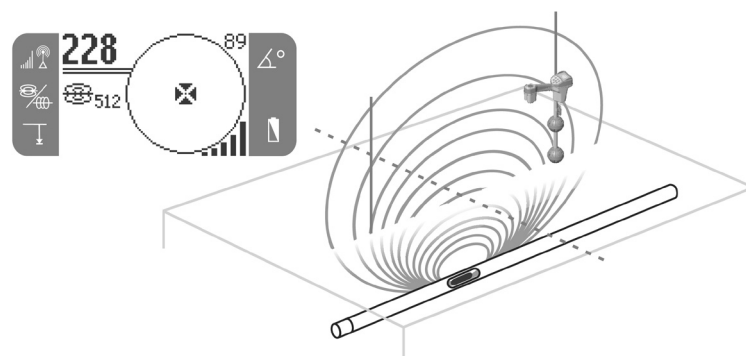
Micro-mapa - Exemplos – Modo de sonda



Scout sobre o Equador



O Scout abandona o Equador e aproxima-se do Pólo



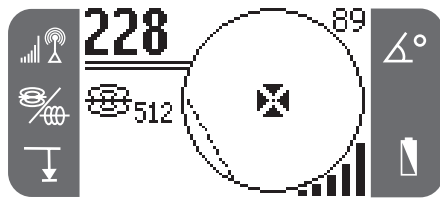
Scout sobre o Pólo

quando utilizar o mapa se a fonte do alvo ou do sinal estiver a pouca profundidade. A área de procura útil utilizando apenas o mapa pode ser pequena, se a sonda estiver a muito pouca profundidade.

5.7 Sondas inclinadas

Se a sonda estiver inclinada, um Pólo deslocar-se-á para mais próximo da sonda e o outro para mais longe, de modo que a localização da sonda já não se encontra a meio caminho entre os dois Pólos. A intensidade do sinal do Pólo mais próximo torna-se muito mais elevada do que a do Pólo mais distante. No extremo, à medida que a sonda se inclina para a vertical, um Pólo desloca-se para um ponto directamente por cima da sonda e este Pólo corresponderá também ao ponto de intensidade máxima do sinal. O outro Pólo não se verá. Portanto, mesmo que a sonda esteja na vertical, o que poderá acontecer se esta cair numa falha da linha ou num depósito subterrâneo, a sonda ainda poderá ser localizada.

O que se vê no ecrã é um Pólo com intensidade de sinal máxima quando a sonda está na vertical.



As antenas multi-direccionais permitem que a profundidade seja medida se a sonda estiver inclinada. Nesta circunstância, a função de profundidade da força tem de ser utilizada para que a profundidade seja medida (consulte Medir a Profundidade).

6. Procurar uma linha com o Scout

O Scout também pode ser utilizado para procurar um tubo ou uma linha de modo que a superfície por cima destes possa ser marcada. Isto identifica a localização da linha para que esta possa ser evitada durante uma escavação ou exposta para reparação ou substituição. O Scout pode localizar linhas energizadas com uma variedade de frequências ou pode ser utilizado passivamente para efectuar um varrimento para localizar quaisquer condutores longos com sinais.

As linhas subterrâneas estão energizadas com um transmissor de linha. Este sinal activo é então procurado utilizando um receptor como o Scout.

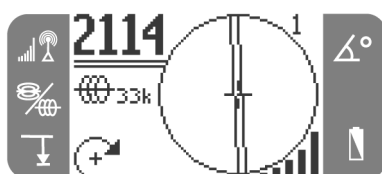
1. Ligue o transmissor de linha à linha de acordo com as instruções do fabricante.

Um "transmissor" é um nome genérico utilizado para qualquer coisa que gere um sinal localizável. É utilizado para descrever uma sonda, bem como o dispositivo que é utilizado para energizar um cabo ou um tubo.

2. Faça corresponder a frequência utilizada no transmissor com a mesma frequência no Scout. Certifique-se de que tem um ícone de procura de linha ~. Pressione o botão do menu principal para regressar ao ecrã de localização.



3. Quando começar a procura, recomenda-se que observe primeiro a intensidade do sinal para ver se diminui quando o Scout é afastado. Aponte o mastro para os terminais ou para o próprio transmissor se estiver a utilizar o modo indutivo. Sobre a linha deverá aumentar e diminuir em ambos os lados. Se a intensidade do sinal e as linhas no ecrã NÃO coincidirem, então é porque o sinal pode estar distorcido.
4. Ao procurar, o modo como o tubo ou o cabo corre será apresentado no ecrã com 2 linhas sólidas. Manter as linhas no centro indica que o Scout está a procurar a linha subterrânea. Se a linha se deslocar para a esquerda ou para a direita, então desloque o Scout para voltar a colocar a linha no centro. O sinal emitido a partir de uma linha é mais forte quando directamente sobre essa linha. Se este não for o caso, então é porque existe distorção.



NOTA Quando utilizar uma frequência de procura de linha existem duas linhas no ecrã. Quando utilizar uma frequência de sonda, o Equador é uma linha única.

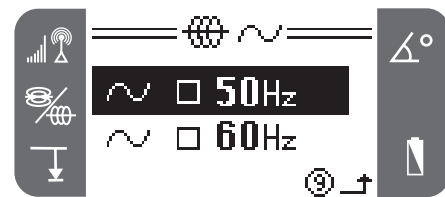
CUIDADO É preciso ter cuidado para verificar a existência de interferência de sinal que pode fornecer leituras não precisas. As leituras de profundidade devem ser consideradas uma estimativa e as profundidades reais devem ser verificadas expondo as linhas antes de escavar.

5. Quando começar a procura, recomenda-se que observe primeiro a intensidade do sinal para ver se diminui quando o Scout é afastado. Aponte o mastro para os terminais ou para o próprio transmissor se estiver a utilizar o modo indutivo. Sobre a linha deverá aumentar e diminuir em ambos os lados. Se a intensidade do sinal e as linhas no ecrã NÃO coincidirem, então é porque o sinal pode estar distorcido.

6.1 Procurar uma linha CA passiva

No modo passivo, o Scout sente corrente alterna ou campos de CA. As linhas eléctricas enterradas normalmente não emitem qualquer sinal localizável a não ser que esteja a passar electricidade nos fios eléctricos. Por exemplo, as luzes da rua que estão apagadas são difíceis de serem procuradas passivamente.

1. Seleccione uma Frequência de Procura de CA Passiva com o ícone de procura passiva de linha ~.
2. O Scout tem duas (2) frequências de procura de CA passiva padrão. São 50 Hz e 60 Hz.



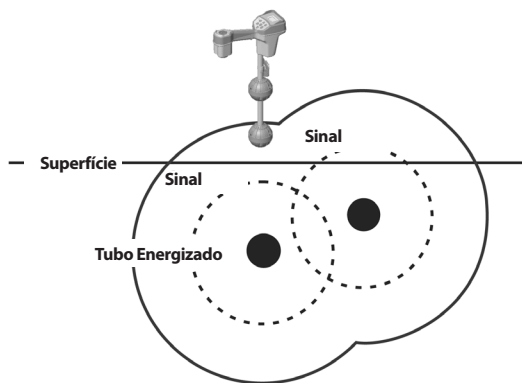
6.2 Sugestões para procura de linhas

- Quando as linhas não estão centradas no mapa, mas a intensidade do sinal está aumentada, é porque existe distorção!
 - a. Tente mudar a frequência utilizada para uma mais baixa.
 - b. Desloque a posição da estaca da superfície para longe da linha a ser procurada.
 - c. Certifique-se de que a linha não está ligada em comum com outro equipamento de utilidade pública.
- Se as linhas não se centrarem, ou se se deslocarem inexplicavelmente ao longo do ecrã, então o Scout pode não estar a receber um sinal claro.
 - a. Verifique o transmissor para se certificar de que está a funcionar e de que está bem ligado à terra.
 - b. Teste o circuito apontando a antena inferior para um dos terminais do transmissor.
 - c. Verifique se o Scout e o transmissor estão a funcionar na mesma frequência.
 - d. Experimente frequências diferentes, começando pela mais baixa, até que a linha possa ser captada de modo fiável.
- A corrente corre melhor das linhas mais pequenas para as linhas maiores (menor resistência). Um exemplo seria procurar um tubo da casa para a rua.
- Durante a procura, o sinal deverá aumentar, e a profundidade diminuir, no mesmo local onde as linhas se centram no visor. Se este não for o caso, o equipamento de utilidade pública pode estar a rodar ou podem estar presentes outros sinais acoplados.

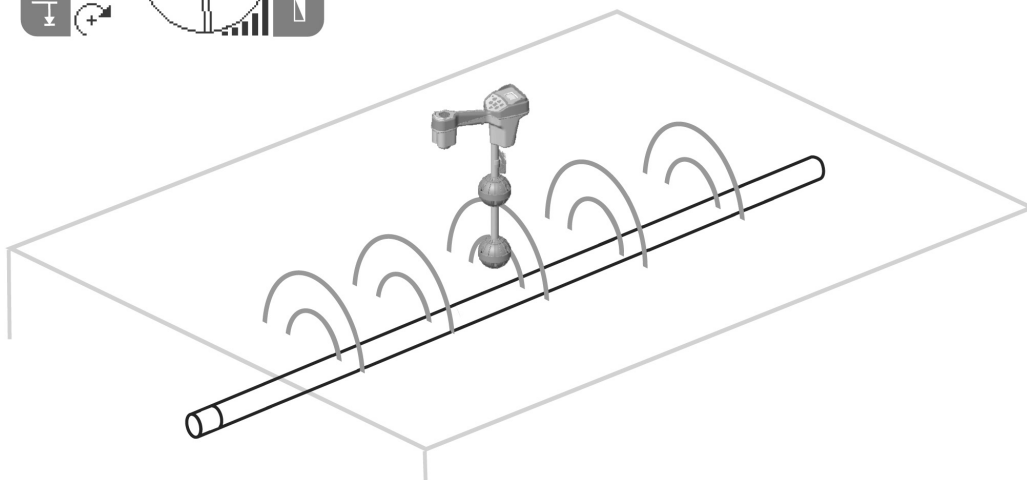
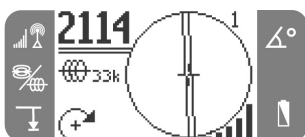
- As frequências mais elevadas transbordam mais mas podem ser necessárias para saltar falhas em fios do detector ou para saltar acopladores isolados.
- Quando utilizar o transmissor indutivamente certifique-se de que começa a localização a 10/15 m de distância para evitar “acoplamento aéreo”. Isto é onde o Scout apanhará o sinal do transmissor directamente e não a partir da linha a ser procurada.

Durante a Procura, o micro-mapa assume as seguintes condições:

- A superfície está nivelada.
 - A linha está nivelada.
 - O Localizador Scout está acima do nível da superfície.
 - O mastro da antena do Scout é mantido aproximadamente na vertical.
- Se estas condições não forem cumpridas, preste muita atenção ao aumento da intensidade do sinal. Em geral, se o Scout se encontrar dentro de cerca de duas “profundidades” da linha, o mapa será útil e preciso. Esteja consciente disto quando utilizar o micro-mapa se o alvo ou a linha estiver a pouca profundidade. A área de procura útil no micro-mapa pode ser pequena se a linha estiver a muito pouca profundidade.



Micro-mapa - Exemplo – Procura de linha



7. Menu Ferramentas

7.1 Mudança de unidades de profundidade

O Scout pode mudar as unidades de medição da profundidade para Pés ou para Metros. Para mudar estas definições, basta realçar o ícone da profundidade no Menu Ferramentas e depois pressionar a tecla de seleccionar para alternar entre pés e metros.

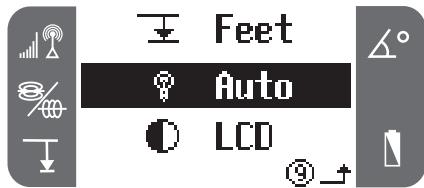


7.2 Iluminação de fundo automática

Os níveis de iluminação baixos são detectados por um detector de luz incorporado no canto superior esquerdo do teclado. A iluminação de fundo pode ser forçada bloqueando a luz para este sensor com o polegar.

A iluminação de fundo automática do LCD vem definida da fábrica para se acender apenas sob condições bastante escuras. Isto destina-se a conservar a energia das pilhas. Quando as pilhas estão quase sem carga, a iluminação de fundo aparecerá esbatida. Perto do fim da vida útil das pilhas, a iluminação de fundo funciona a um nível muito baixo para conservar a energia das pilhas.

Para desligar a iluminação de fundo, realce o ícone da lâmpada na secção de ferramentas do menu e pressione a tecla de seleccionar para alternar entre Auto e OFF.



7.2.1 Contraste do LCD

Quando este está realçado e seleccionado, o contraste do LCD pode ser ajustado com as setas para cima e para baixo.



8. Informações úteis

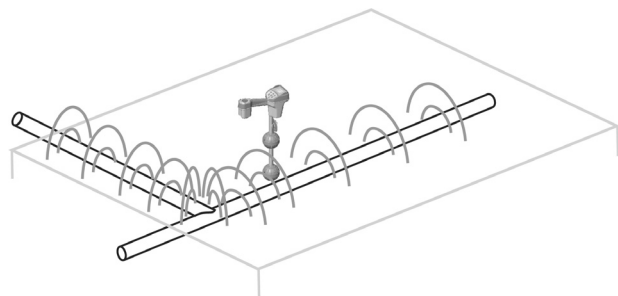
8.1 Interferência de sinal

8.1.1 Campos distorcidos

Por vezes, um único campo pode encontrar metal ou outro material ferroso no solo que pode distorcer as linhas do campo. Pode ser outro equipamento de utilidade pública, sucata enterrada ou linhas antigas não utilizadas que podem desviar ou limitar as linhas do campo. Neste caso, o Scout pode exibir um sinal mais fraco à volta do objecto e um sinal mais forte directamente por cima deste. O objecto pode actuar como uma lente que amplifica ou enfraquece o sinal imprevisivelmente.

8.1.2 Campos compostos

Os campos compostos também são possíveis. Quando um campo único encontra outro, os dois, ou mais, podem criar um sinal mais forte. É importante para os operadores terem esta percepção à volta de "Ts" ou de ângulos rectos na linha, onde se encontram muitas vezes campos compostos.



Campo composto apresentado à volta de uma ligação na linha.

8.1.3 Ruído

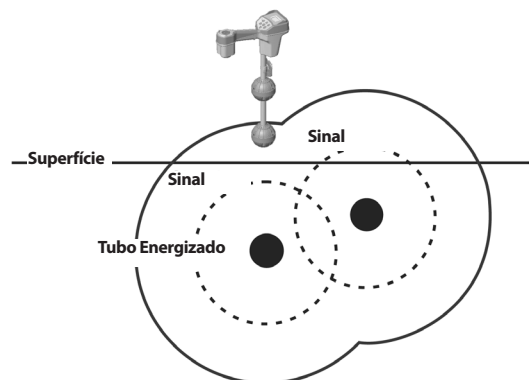
Os sinais de interferência (ruído) fazem simplesmente parte do desafio da localização. A interferência pode estar na mesma frequência que está a ser utilizada, ou pode estar "fora de banda" em outras frequências. Alguns dos maiores sinais de interferência são gerados por equipamento de transmissão de energia. Os transformadores eléctricos, os motores ou os geradores eléctricos grandes e as linhas podem ser a fonte de sinais de ruído muito grandes. As áreas que são particularmente ruidosas devem ser evitadas, se for possível.

Se a exibição do ângulo for instável e irregular, e/ou se os níveis de sinal forem irregulares, esta é uma boa indicação da não existência de sinal alvo (sonda ou linha energizada), ou de um elevado nível de ruído de interferência.

8.2 Notas sobre a precisão

As medições da Profundidade e da Intensidade do Sinal baseiam-se num forte sinal a ser recebido pelo Scout. Lembre-se que o Scout é utilizado acima da superfície para detectar campos electromagnéticos emitidos a partir de linhas subterrâneas (condutores eléctricos, tais como fios eléctricos e tubos metálicos), ou sondas (sinais luminosos com transmissão activa). Quando os campos são simples e não estão distorcidos, então os campos detectados são representativos do objecto enterrado. Se esses campos estiverem distorcidos e se existirem múltiplos campos a interagir, o Scout localizará sem precisão. A localização não é uma ciência exacta. Exige que o operador utilize o bom senso e procure todas as informações disponíveis para além das leituras do instrumento. O Scout fornecerá ao utilizador mais informações mas cabe ao operador interpretar essas informações correctamente. Nenhum fabricante de localizadores quer que um operador siga exclusivamente as informações obtidas a partir do seu instrumento. Existem algumas questões a considerar ao localizar com precisão:

- **Quando estão presentes outras linhas ou equipamentos de utilidade pública.** "O transbordo" pode produzir campos distorcidos e iluminar as linhas involuntariamente. Utilize frequências mais baixas sempre que possível e elimine todas as ligações entre as duas linhas.



- **Quando utilizar o transmissor indutivamente.** Isto fornece à linha um sinal fraco. Utilize uma ligação directa sempre que possível.
- **Quando existem Ts ou rupturas na linha.** Podem causar distorções no sinal.
- **Quando a intensidade do sinal é baixa.** É necessário um sinal forte para uma localização exacta.
- **Quando as condições do solo variam.** Condições extremas de humidade, quer sejam demasiado secas ou saturadas demais, podem afectar as medições. Por exemplo, as superfícies que estiverem saturadas de água salgada, que podem ser encontradas perto das costas, blindarão o sinal em grande medida e dificultarão muito a localização.

9. Transporte e armazenamento

Antes do transporte, certifique-se de que a unidade está desligada para preservar a energia das pilhas. Quando transportar, certifique-se de que a unidade está fixa e que não salta de um lado para o outro e que não é atingida por outros equipamentos soltos. O Scout deve ser guardado num local fresco e seco.

Se guardar o Scout durante um longo período de tempo, deverá retirar as pilhas.

10. Instalar/utilizar acessórios

O Scout também é fornecido com marcadores que podem ser utilizados para marcar os locais de Pólos e de sondas acima da superfície. Existem dois (2) marcadores vermelhos para marcar os Pólos e um (1) marcador amarelo para marcar a sonda.

Se for necessária assistência técnica, é favor contactar o seu concessionário ou um representante da RIDGID.

11. Manutenção e limpeza

⚠ AVISO

1. Mantenha o Scout limpo com um pano húmido e com um detergente suave. Não o mergulhe em água.
2. Quando o limpar, não utilize ferramentas de raspagem nem produtos abrasivos pois podem riscar permanentemente o

visor. **NUNCA UTILIZE SOLVENTES** para limpar qualquer parte do sistema. As substâncias como a acetona e outros químicos agressivos podem causar fracturas na estrutura.

12. Localizar componentes com falha

Relativamente a sugestões para resolução de problemas, é favor consultar o guia de resolução de problemas no fim do manual. Se necessário, contacte Ridge Tool ou o seu concessionário para obter mais informações e ajuda.

13. Assistência técnica e reparação

⚠ AVISO

A ferramenta deverá ser levada a um Centro de Assistência Técnica Independente Autorizado RIDGID.

14. Guia de resolução de problemas

PROBLEMA	LOCALIZAÇÃO PROVÁVEL DA FALHA
O Scout bloqueia durante a utilização.	Desligue a unidade e volte a ligar. Retire as pilhas se a unidade não desligar.
Durante a procura, as linhas "saltam" por todo o ecrã no micro-mapa.	Isto indica que o Scout não está a captar o sinal ou que existe interferência.
	Certifique-se de que o transmissor está bem ligado e fixo. Aponte o Scout para um dos terminais para se certificar de que tem um circuito completo.
	Tente uma frequência mais elevada.
Durante a localização de uma sonda, as linhas "saltam" por todo o ecrã.	Tente determinar a fonte de qualquer ruído e elimine-a.
	Verifique as pilhas da sonda para ver se estão a funcionar.
A distância entre a sonda e um qualquer dos pólos não é igual.	Verifique o sinal colocando a antena inferior perto da sonda.
	Nota – As sondas têm dificuldade em emitir sinais através de linhas de ferro fundido ou de ferro fundido maleável.
A unidade age de forma irregular, não desliga.	A sonda pode estar inclinada ou pode existir uma transição de ferro fundido para plástico.
A unidade age de forma irregular, não desliga.	As pilhas podem estar fracas. Substitua por pilhas novas e ligue.
O visor aparece totalmente negro, ou totalmente iluminado quando é ligado.	Tente desligar a unidade e voltar a ligar.
	Ajuste o contraste do ecrã LCD.
Não tem som.	Ajuste o nível do som no menu som.
O Scout não capta o sinal.	Verifique se estão definidos o modo e a frequência correctos.
O Scout não liga.	Verifique a orientação das pilhas. Verifique se as pilhas estão carregadas. Verifique se os contactos da bateria estão OK. A unidade pode ter um fusível fundido (é necessária assistência da fábrica).

15. Especificações

Peso c/ pilhas.....	1,4 kg
Peso s/ pilhas.....	1 kg
Dimensões	
Comprimento.....	28,5 cm
Largura.....	11,0 cm
Altura.....	56,0 cm
Fonte de alimentação	
Pilhas de tamanho 4 C, de 1,5 V Alcalinas (ANSI/NEDA 14A, IEC LR14) ou pilhas recarregáveis de 1,2 V NiMH ou NiCad	
Potência nominal: 6 V, 550 mA	
Ambiente de funcionamento	
Temperatura.....	20°C a 50°C
Humidade	5% a 95% HR
Temperatura de armazenamento.....	-20°C a 60°C
Frequências padrão	
Sonda.....	512 Hz, 640 Hz, 874 Hz, 33 kHz
Procura de linha activa	512 Hz, 8 kHz, 33 kHz
Procura de linha passiva	60 Hz, 50 Hz

Definições por defeito

As definições por defeito do localizador são:
 Unidades de profundidade = Metro e centímetro
 Volume = 1 (uma definição acima de mudo)
 Iluminação de fundo = Automática

Equipamento padrão

- Localizador Scout
- Marcadores e suporte do mastro
- 2 Manuais do Operador: EUA + Europa
- 4 Pilhas C-cell (Alcalinas)
- Vídeo PAL

Equipamento opcional

- Marcadores de Pólos/sonda adicionais
- Transmissor NaviTrack
- Grampo indutivo
- Sonda das pilhas
- Bóia

16. Legenda dos ícones
ÍCONES DE EXIBIÇÃO

- Frequência da sonda
 - Frequência de procura activa
 - Frequência da procura (AC) passiva
 - Nível do som
 - Nível das pilhas
 - Profundidade
 - Indicador de ângulo horizontal
 - Intensidade do sinal
 - Menu ferramentas
 - Contraste do LCD
 - Iluminação de fundo do LCD
- ÍCONES DO TECLADO**
- Navegação no menu
 - Restabelecer som áudio/seleccionar item do menu
 - Navegação no menu/profundidade forçada (pressionar 3 seg.)
 - Tecla de ligar/desligar
 - Tecla do menu
 - Tecla de modo de sonda/procura/frequência
 - Tecla de controlo do volume

SV

NaviTrack Scout Driftsinstruktioner

Översättning av bruksanvisning i original



ALLMÄN SÄKERHETSINFORMATION

VARNING! Läs och se till att förstå alla instruktioner.

Om alla instruktioner nedan inte följs finns risk för elektriska stötar, brand och/eller allvarlig personskada.

**LÄS BIFOGADE SÄKERHETSINSTRUKTIONER.
SPARA DESSA INSTRUKTIONER!**

En EG-försäkrans om överensstämmelse (890-011-320.10) medföljer den här bruksanvisningen om så behövs (separat häfte).

Batteriinstruktioner:

- **Använd endast batterier av angiven storlek och typ. Blanda inte olika batterityper (använd t.ex. inte alkaliska med laddningsbara).** Använd inte delvis urladdade och fulladdade batterier tillsammans (dvs. blanda inte gamla och nya).
- **Ladda batterierna med de laddare som anges av batteritillverkaren.** Användning av en felaktig laddare kan resultera i att batteriet överhettas och spricker.
- **Gör dig av med batterierna på rätt sätt.** Kasta inte batterier i eld, eftersom exponering för höga temperaturer kan förorsaka att batteriet exploderar. I vissa länder finns bestämmelser för hantering av förbrukade batterier. Följ alla tillämpliga bestämmelser.

1. Användning och skötsel av Scout

- **Använd endast utrustningen enligt anvisningarna.** Använd inte Scout om du inte fått lämplig utbildning och läst handboken.
- **Doppa inte antennerna i vatten.** Förvara på en torr plats. Dessa åtgärder minskar risken för elektriska stötar och att instrumentet skadas.
- **Kontrollera att inga delar är trasiga eller att några andra omständigheter som kan påverka användningen av Scout föreligger.** Om instrumentet är skadat måste det repareras före användning. Många olyckor förorsakas av dåligt underhållna verktyg.
- **Använd endast tillbehör som rekommenderas av Scouts tillverkare.** Tillbehör som passar ett instrument kan vara farliga om de används med ett annat.
- **Håll handtagen torra och rena, fria från olja och fett. Detta gör att du kan hantera instrumentet bättre.**
- **Skydda det mot överdriven värme.** Produkten bör hållas borta från värmekällor som till exempel element, värmeregulatorer, spisar eller andra produkter (inklusive förstärkare) som producerar värme.

1.1 Underhåll

- **Diagnostiskt instrumentunderhåll får endast utföras av kvalificerad reparationspersonal.** Service eller underhåll som utförs av okvalificerad reparationspersonal kan resultera i personsador.

- **Utför lämplig rengöring.** Ta bort batteriet innan rengöring. Använd inte flytande rengöringsmedel eller sprayrengöringsprodukter. Använd en fuktig trasa vid rengöring.
- **Utför en säkerhetskontroll.** När underhåll eller reparation av denna produkt har utförts, be serviceteknikern att utföra säkerhetskontroller för att avgöra om produkten är i användbart skick.
- **Skador på produkten som kräver åtgärd.** Ta bort batterierna och överlämna underhållet till kvalificerad servicepersonal under följande omständigheter:
 - Om vätska har spillts eller föremål har fallit in i produkten.
 - Om produkten inte fungerar normalt trots att du följer driftsinstruktionerna.
 - Om produkten har tappats eller skadats på något sätt.
 - När produkten uppvisar ett tydligt förändrat beteende.

Vid all korrespondens, uppgi all information på verktygets märkskylt, till exempel modellnummer och serienummer.

1.2 Viktigt

Scout är ett diagnostikverktyg som känner av elektromagnetiska fält som avges av objekt under marken. Det är avsett att hjälpa användaren lokalisera dessa objekt genom att känna igen fältlinjernas karaktäristik och visa dessa på skärmen. Eftersom elektromagnetiska fältlinjer kan bli deformerade och störda, är det viktigt att verifiera de underjordiska objektens placering innan grävning.

Det kan finnas flera ledningar inom samma område under marken. Se till att följa lokala anvisningar.

Att frilägga ledningen är det enda sättet att verifiera att den finns, dess placering och djup.

Ridge Tool Co. och dess dotterbolag och leverantörer är inte ansvariga för personsador eller några direkta, indirekta, tillfälliga eller följskador förorsakade på grund av Scouts användning. Det kan finnas flera ledningar inom samma område under marken. Se till att följa lokala anvisningar.

2. Introduktion till Scout

Sonden och ledningslokaliseringen ScoutTM använder flera riktantenner och avancerad bearbetning för att åstadkomma snabb, noggrann och enkel lokalisering av nedgrävda ledningar.

2.1 Vilka är dess unika funktioner?

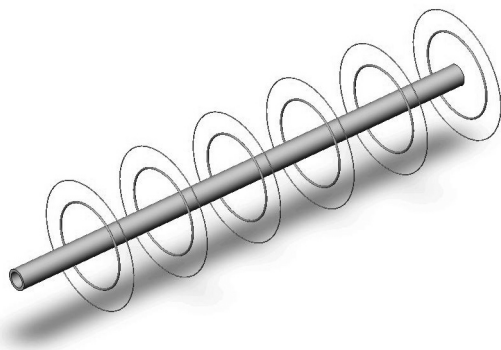
Scouts avancerade teknik ger flera unika fördelar framför konventionella lokaliseringar:

- Antennsystem med flera riktantenner.
- Mikrokartvy.
- Indikering av distinkta signalegenskaper.

2.2 Vad gör den?

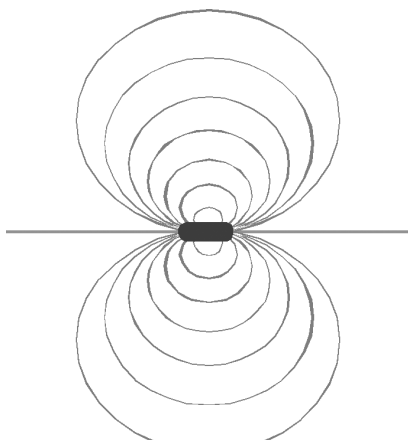
Scout används ovan mark för att känna av elektromagnetiska fält som avges från underjordiska eller dolda ledningar (elektriska ledare som till exempel metalledning och rör) eller sonder (aktivt sändande pejsändare). När fälten är enkla och odeformerade är de avkända fälten representativa för det nedgrävda objektet. Scout lokaliserar ledande objekt som avger ett fält. Den känner inte direkt av underjordiska objekt.

De elektriska fält som avges från nedgrävda objekt kan vara av två typer: den första typen avges av långa ledare som till exempel strömförande ledningar, pådrivningskablar för inspektionskameror eller rör. Dessa objekt skapar ett långt, cylindriskt fält, och detta kallas ofta att spåra "Ledningar".



Det fält som avges av en strömförande ledning.

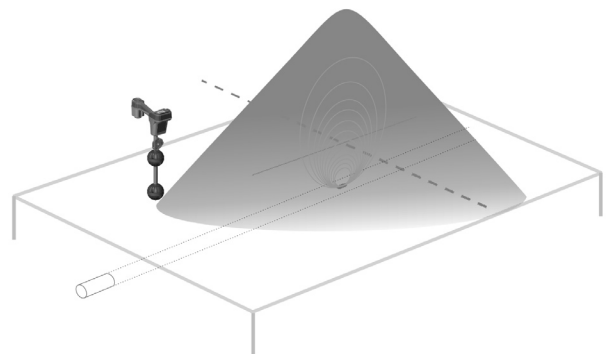
(Passiv växelströmsspårning är endast ett specialfall där ledningen är "magnetiserad" av elektrisk ström.)
Den andra typen, sonder (kallas också sändare, pejlsändare eller aktiva ledningssonder), avger ett fält med annan form, och Scout är programmerad för att mäta och visa denna typ av fält. Sondens mer komplexa fältform, ett så kallat dipolfält, är likadant som det som skapas av en stavmagnet och av planeten Jorden.



Dipolfältet som avges av en sond.

Elektromagnetiska fält har tre (3) viktiga egenskaper: frekvens, styrka och vinkel (riktning). Till skillnad från konventionella lokalisering, som endast kan mäta styrkan i varje antens riktning, kan Scout mäta både signalstyrka och fältvinklar i tre dimensioner (3D). Dessa förbättrade möjligheter gör kartvisningen möjlig. En erfaren operatör kan utnyttja denna extra information för att snabba upp lokaliseringssituationer. Å andra sidan kan en tillfällig eller ovan användare enkelt lokalisera endast med hjälp av signalstyrkan.

Den första regeln för lokalisering med Scout är att göra värdet stort! – Att hitta den maximala signalstyrkan är den viktigaste och primära lokaliseringssituationen.



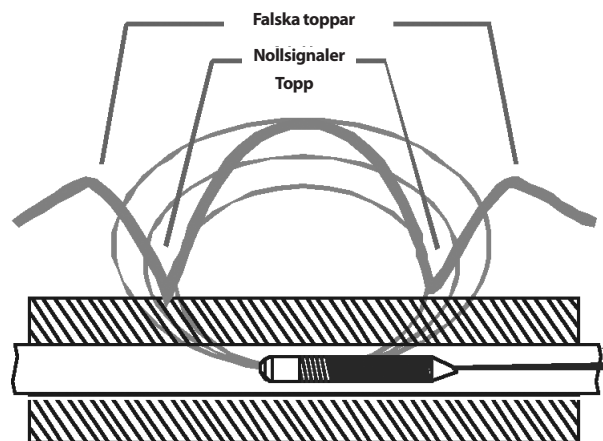
Exempel på hur Scout visar maxvärde rakt ovanför sonden.

Oavsett om det gäller att följa en ledning eller att lokalisera en sond, finns den maximala signalstyrkan över målet. Djupet visas när instrumentet är ovanför målet.

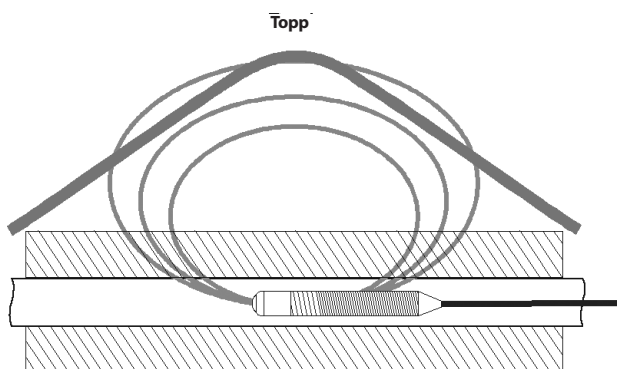
2.3 Vad är fördelen med flera riktningar hos Scout?

Att visa hela signalen med flera riktantenner erbjuder definitiva fördelar:

1. Signalen blir alltid starkare när användaren kommer närmare målet.
2. Elimineras nollsignaler och "spöktoppar". En signal från en konventionell lokalisering har en topp, sedan en nollsignal och därefter en mindre topp. Detta kan förvirra operatören, särskilt om han tolkar en mindre topp som målet (kallas "spök-" eller "falsa" toppar). Med Scout syns endast en topp som leder användaren mot målet.



Sondsignal som den "ses" av en konventionell lokalisering. Huvudtopp i mitten och två falska toppar utanför de båda nollpunkterna.



Sondsignal som den "ses" av Scout. Endast en topp, inga nollsignaler.

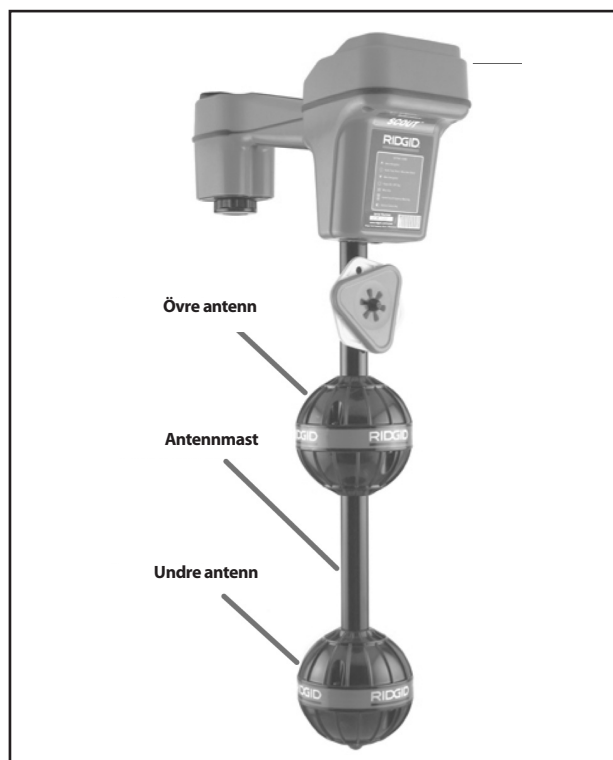
3. Hur apparaten hålls påverkar inte signalstyrkan. Användaren kan komma från vilket håll som helst och behöver inte veta hur röret eller ledningen ligger.
4. Bland övriga verktyg för identifiering och lösning av "svåra" lokaliseringar finns en grafisk mikrokarta och en vinkelindikering som hjälp att tolka signalernas egenskaper.

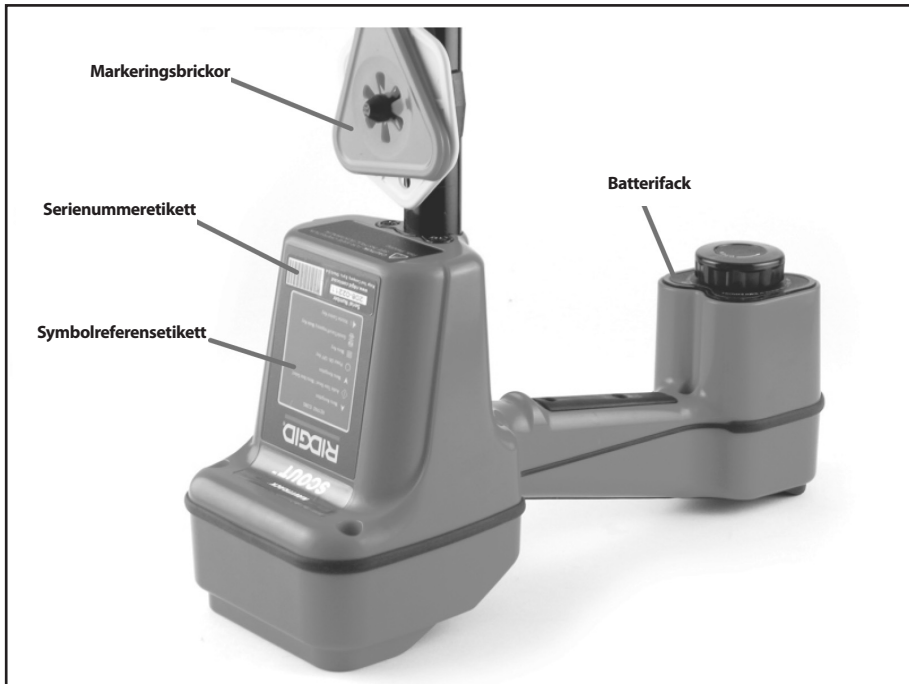
2.4 Vad är fördelen med mikrokartan?

Kartan visar grafiskt signalens karaktär. Den är en vy av den underjordiska signalen ur fågelperspektiv, visad grafiskt på skärmen. Den används som en guide för att spåra underjordiska ledningar och kan användas för att mer noggrant lokalisera sonder. Den kan också användas för att ge mer information vid komplexa lokaliseringar.

När du för lokaliseringen över marken passerar Scout den signal som sänds ut från de underjordiska föremålen. Då kan användaren se en bild av signalen på skärmen och markera dess läge på marken. Konventionella lokaliseringar kan inte göra en karta av signalen eftersom deras antenner inte kan se dess hela form.

3. Scouts delar

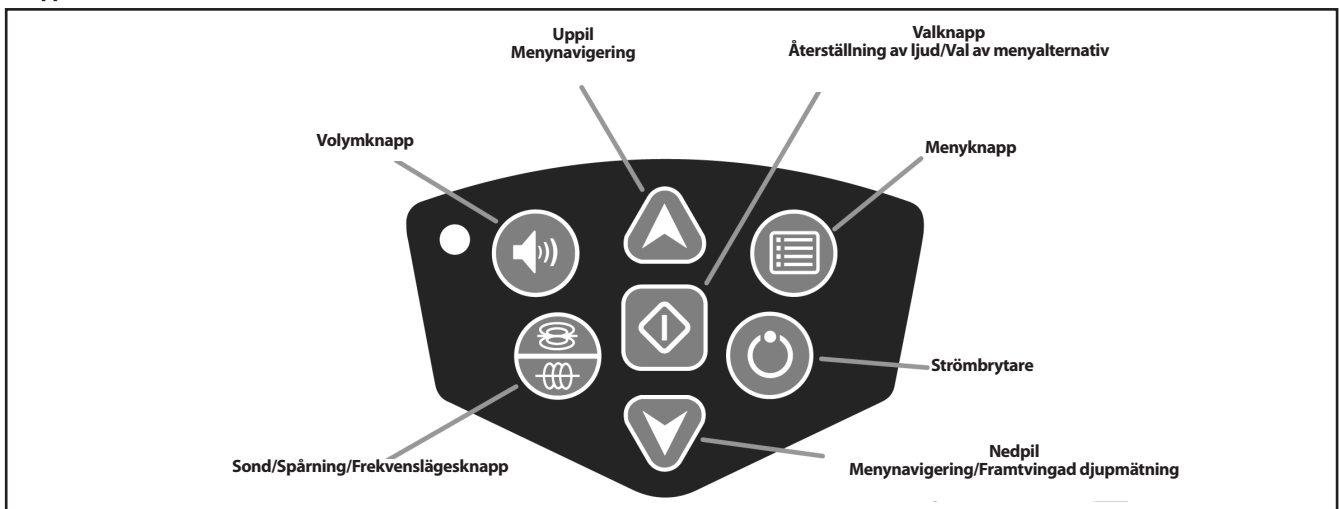




Visningskärm



Knappsats



Volymknapp – öppnar och stänger menyn för ljudnivå.

Sond/Spårning/Frekvenslägesknapp – växlar mellan aktiva frekvenser och funktioner.

Upppil – bläddrar uppåt bland menyalternativen.

Valknapp – väljer det markerade alternativet när en meny är öppen.

Nedpil – bläddrar nedåt bland menyalternativen.

Menyknapp – öppnar/stänger menyn.

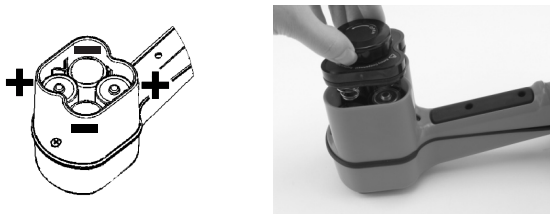
Strömbrytare – slår på och stänger av Scout.

4. Komma igång

4.1 Installera och byta batterier

När du ska installera batterier i Scout vänder du apparaten så att du kommer åt batterifacket. Vrid ratten på batterilocket moturs. Dra ratten rakt upp och ta bort luckan. Sätt i batterierna enligt markeringen i facket och se till att de faller ned ordentligt och får bra kontakt.

Sätt tillbaka luckan och stäng den genom att vrida ratten medurs medan du trycker ned den lätt. Batteriluckan kan sättas åt vilket håll som helst.



När du slagit på Scout tar det några sekunder att kontrollera batterierna. Under den tiden visas batterinivån som "tom".

⚠ VARNING

Låt inte något skräp falla ned i batterifacket. Främmande föremål kan kortsluta batterikontakterna, vilket leder till att batterierna snabbt laddas ur och kan förorsaka läckage av elektrolyt eller brandrisk.

4.2 Användningstid

Normal användningstid för Scout-lokaliseraren om du använder alkaliska batterier är mellan 12 och 24 timmar beroende på till exempel ljudvolym och hur ofta bakgrundsbelysningen används. Andra faktorer som påverkar drifttiden är till exempel batteriernas kemiska sammansättning (många nya högprestandabatterier som till exempel "Duracell® ULTRA" räcker faktiskt 10 - 20% längre än vanliga alkaliska batterier vid tillämpningar med höga krav). Användning vid låga temperaturer minskar också batteriernas livslängd.

För att spara batterierna stängs Scout automatiskt av efter en timme om inga knappar trycks ned. Om du vill använda apparaten igen slår du bara på den.

4.3 Slå på och stänga av

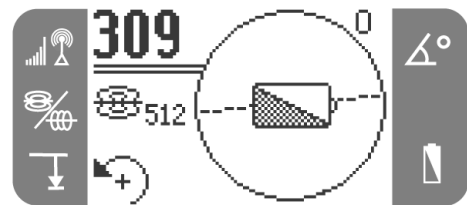
Sätt på strömmen genom att trycka på strömbrytaren i knappsatsen. RIDGID®-logotypen visas och programmets versionsnummer visas i det nedre högra hörnet.



Stäng av strömmen genom att trycka ned och släppa strömbrytaren i knappsatsen. Lägg märke till att det tar några sekunder att slå på och stänga av apparaten.

4.4 Varning för dåliga batterier

När batterierna börjar bli svaga, visas en batterisymbol i kartområdet på skärmen. Detta visar att batterierna behöver bytas och att apparaten snart kommer att stängas av.



Strax innan den stängs av helt körs en avstängningssekvens som inte kan avbrytas.

I vissa fall sjunker spänningen i laddningsbara batterier så snabbt att apparaten bara stängs av. Apparaten stängs av och startar om. Byt bara ut batterierna och slå på apparaten igen.

5. Inställning

När Scout är igång är nästa steg att ställa in de frekvenser som stämmer med den utrustning som ska lokaliseras. De väljs i en lista på menyn.

1. Tryck på menyknappen, markera ditt val och aktivera det genom att trycka på valknappen:



2. Markera med upp- och nedpilarna den frekvens som överensstämmer med den som används i sonden eller linjesändaren och markera sedan rutan genom att trycka på valknappen. Se menyvalen som referens. Återgå till huvudbilden genom att trycka på menyknappen.





⚠ VARNING

Se till att den valda frekvensen stämmer med önskad användning. 512 och 33 används både som sond- och ledningsföljningsfrekvens. Om du använder en sondfrekvens för ledningsföljning och vice versa kan Scout visa felaktig djupinformation.

- Gå nu igenom de aktiverade frekvenserna och lägena genom att trycka på knappen för sond/spårning/frekvens. Du ser vilket läge Scout är inställd på genom att kontrollera symbolerna på skärmen.



- Om djupet, den automatiska bakgrundsbelysningen eller skärmens kontrast behöver justeras, markerar du detta val i menyns verktygsdel och gör ändringar med valknappen.



5.1 Menu Choices

Sondlägesfrekvenser		512 Hz 640 Hz 874 Hz 33 Hz
Ledningsföljningsfrekvenser		50 Hz (Passiv) 60 Hz (Passiv) 512 Hz 8 kHz 33 kHz
Verktygs meny		Fot/Meter Automatisk bakgrundsbelysning Kontrast

5.2 Ljud från Scout

Ljudet följer ökande eller minskande signalstyrka. Dess frekvens och volym ökar när signalen blir starkare och minskar när signalen blir svagare. När signalen blir starkare ökar ljudets frekvens och volym som hjälp för

operatören att hitta den maximala signalstyrkan. Om signalstyrkan sjunker återgår ljudet till ett lågt vibrerande som om ingen signal kunde hittas. Scout har en automatisk förstärkare. När förstärkningen ökar eller minskar ett steg, återställs ljudet till den högre eller lägre intensiteten. Justera ljudvolymen genom att trycka på ljudknappen.



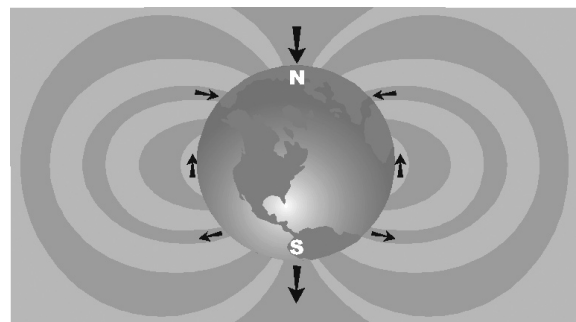
Ljudet ändras vid varje knapptryckning, och du kan även justera volymen med upp- och nedpilarna. Lämna denna skärmbild genom att trycka på valknappen.



OBS Om du trycker på valknappen under normal användning återställs ljudets frekvens till en mellannivå.

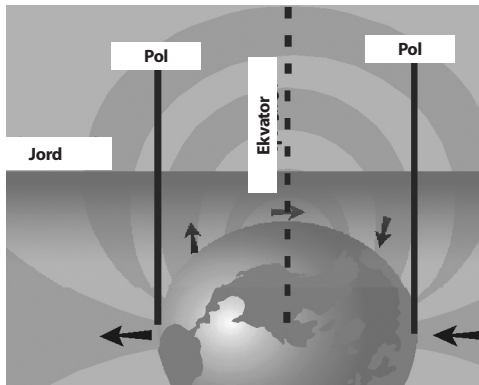
5.3 Översikt - Scout och sonder

Sonder (som också kallas sändare, pejlsändare eller aktiva ledningssonder) avger ett elektromagnetiskt fält som liknar det magnetfält som härrör från Jorden.



Om Jorden lades på sidan, skulle faktiskt dess magnetfält likna fältet från en sond.

Som lokalisering kan Scout mäta formen (vinkeln) hos fältlinjerna från en sond och identifiera vissa karaktäristiska drag hos dessa linjer. Tre viktiga egenskaper är de två **POLERNA** och **EKVATORN**. Vid polerna är signalens vinkel 90 grader (vertikal). Vid ekvatorn är den 0 (horisontell). Polerna är tydliga punkter, medan ekvatorn går ett helt varv runt sonden. Eftersom dessa tydliga egenskaper är konstanta kan de utnyttjas för att noggrant fastställa sondens läge.



Polerna finns oftast där konventionella lokalisering skulle hitta "nollpunkter", de döda punkter som uppträder när signalen passerar genom deras antenner. Skillnaden är att Scout kan "se" polerna ("nollpunkterna") och visa var dessa är, **till och med när du inte är rakt ovanför dessa och oberoende av hur antennerna på Scout är inriktade i förhållande till signalen.**

Detta är ett skäl till varför det är så mycket lättare att lokalisera med Scout än med vanliga lokalisering.

Sonden finns vid den punkt där ekvatorn passerar mitt emellan de två polerna.


5.4 Lokalisera sonden

Scout kan användas för att lokalisera signalen från en sond (sändare) i ett rör, så att dess position kan lokaliseras ovan mark. En sond kan placeras vid en problempunkt i röret med hjälp av kamerapådrivningsstång eller -kabel. Den kan också spolås längs röret.

I det följande förutsätts att sonden finns i ett horisontellt rör, att marken är tämligen plan och att Scout hålls med antennmasten vertikalt.

VIKTIGT Signalstyrkan är den viktigaste faktorn för att avgöra sondens plats. För att försäkra dig om en exakt lokalisering **MÅSTE** du vara noggrann när du mäter upp den högsta signalstyrkan innan du markerar var du ska gräva.

5.4.1 Vid lokalisering av en sond går du till väga på följande sätt:

- **Innan** sonden placeras i röret kontrollerar du med Scout att den fungerar och att Scout tar emot signalen.
- När sonden finns på plats och sänder aktiverar du sonden och ställer in samma frekvens som sondens på Scout. Se till att symbolen för sondläge visas .

⚠ VARNING

Se till att den valda frekvensen stämmer med önskad användning. 512 och 33 används både som sond- och ledningsföljningsfrekvens. Om du använder en sondfrekvens för ledningsföljning och vice versa kan Scout visa felaktig djupinformation.

- Gå till den plats där sonden antas vara. Om rörets riktning är okänd skjuter du in sonden en kortare sträcka i röret (ca. 5 m från öppningen är en bra startpunkt).

5.4.2 Lokalisera sedan sonden med en av följande metoder:

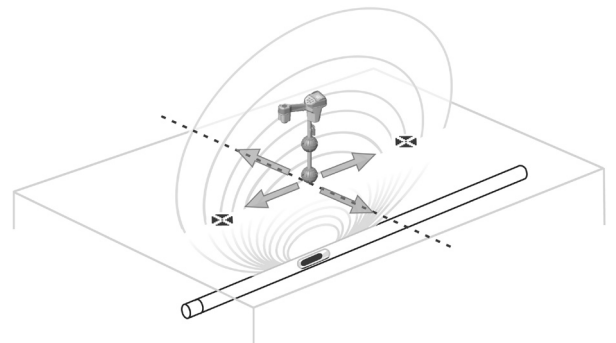
Metod 1 – Maximal signalstyrka

1. Håll Scout så att masten pekar bort från din kropp. Svep masten i den riktning där du tror att sonden finns medan du ger akt på signalstyrkan och lyssnar på ljudet. Signalen är starkast när masten pekar mot sonden.
2. Sänk Scout till normalt arbetsläge (masten vertikal) och gå mot sonden. När du närmar dig ökar signalstyrkan varvid ljudet blir starkare och får högre frekvens. Använd signalstyrkan och ljudet för att hitta den **maximala signalstyrkan.**



3. När du hittat maximum håller du Scout nära marken över denna punkt och flyttar dig i alla riktningar så att du är säker på att signalen försvagas.

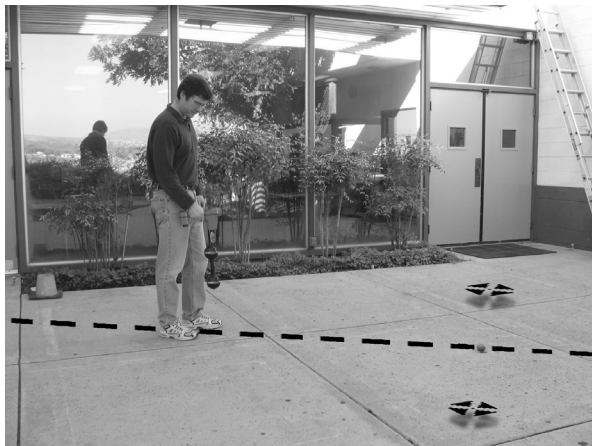
OBS Vid den högsta signalstyrkan kan ekvatorlinjen finnas på någon annan plats än denna om sonden lutar (se avsnittet Lutande sond).



Metod 2 – Följ ekvatorn, sök sedan maximum

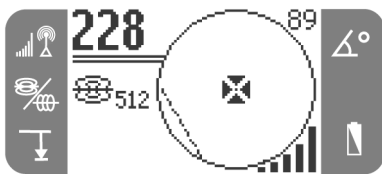
1. Fungerar bäst på öppna ytor utan hinder där **sonden kan förväntas vara horisontell**. Svep med masten och gå sedan mot den högsta signalstyrkan som i metod 1.
2. När Scout visar en **stadig** ekvatorlinje i centrum av skärmen: Följ denna mot ökande signalstyrka. När den högsta signalstyrkan uppnås flyttar du Scout längs ekvatorn **och i alla** riktningar så att du är säker på att du hittat toppen.

Om sonden lutar måste du vara säker på att du hittat den maximala signalstyrkan eftersom det är där sonden finns.



Verifiera lokaliseringen.

1. Vid den punkt där signalstyrkan är högst håller du Scout med masten vertikal och för den vinkelrätt mot ekvatorlinjen på skärmen. När polsymbolen visas flyttar du Scout tills polsymbolen är centrerad på hårkorset **med den undre antennkulan** på marken. Lägg en av de orange triangelmarkeringarna på marken vid denna punkt.



Visning när Scout är över polen.

2. Flytta Scout tillbaka över ekvatorlinjen till den andra polen. Centra hårkorset vid den andra polmarkeringen och markera dess läge på samma sätt som den första.
3. Flytta tillbaka till den **maximala signalstyrkan**. Markera denna punkt på marken med den gula, sexkantiga markeringsbrickan. Flytta den undre antennkulan sakta bort från den gula markeringen i alla riktningar och studera signalstyrkevisningen. Signalstyrkan ska vara högst rakt ovanför sonden.
4. Kontrollera om alla tre markeringarna ligger på rad och att den gula sexkantiga markeringen finns ungefär halvvägs mellan polmarkeringarna.

Om den gula markeringen inte ligger i mitten, se avsnittet om lutande sonder.

VIKTIGT tt du är på ekvatorn innebär INTE att du är ovanför sonden! Kom ihåg att signalstyrkan är den viktigaste faktorn för att avgöra sondens plats. Du måste vara på punkten med den högsta signalstyrkan. För bästa noggrannhet, använd vattenpasset. Masten **MÅSTE** vara vertikal när du markerar polerna och ekvatorn, annars blir deras placering fel!

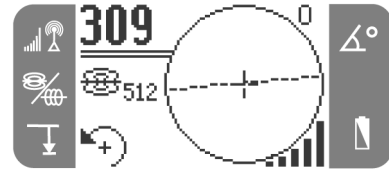
5.5 Mäta djup

Scout mäter djup genom att jämföra signalens styrka vid den undre antennen med den övre antennen.

Djupet mäts när den undre antennen rör marken rakt ovanför signalkällan.

1. När du ska mäta djup placerar du lokaliseringen på marken, rakt ovanför sonden eller ledningen. Se till att vinkelindikatorn visar fem grader

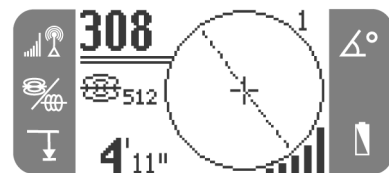
eller mindre. Roter sedan långsamt apparaten i den riktning som anges av pilen **längst ned till vänster** på skärmen, tills djupet visas.



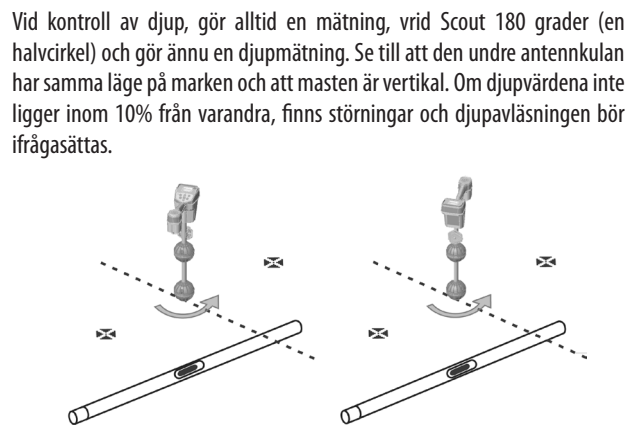
Vattenpasset är användbart för att säkerställa att antennmasten är vertikal när du mäter djup.

För att uppnå maximal signalstyrka och en mer noggrann djupmätning måste Scout roteras så att antennen riktas in efter signalen.

2. Djupet visas i det nedre vänstra hörnet.



3. **Funktionen framvinga djupmätning** - Om vinkelindikeringen anger mer än fem grader gör Scout ingen djupmätning. Tryck ned pilknappen och håll den nedtryckt. Nu framvingas djupmätningen om djupet kan mätas (se följande avsnitt om lutande sonder).



Vid kontroll av djup, gör alltid en mätning, vrid Scout 180 grader (en halvcirkel) och gör ännu en djupmätning. Se till att den undre antennkulan har samma läge på marken och att masten är vertikal. Om djupvärdena inte ligger inom 10% från varandra, finns störningar och djupavläsningen bör ifrågasättas.

5.6 Tips för lokalisering av sond

- Använd om möjligt ljudet som hjälp att leda Scout till den högsta signalstyrkan.
- Om du korsar ekvatorn och signalen inte når sitt högsta värde, följ ekvatorn till den högsta signalstyrkan. Att du hittat sondens ekvator (den streckade linjen på skärmen) innebär INTE att du har hittat sonden. Du måste också hitta den högsta signalstyrkan. Om sonden lutar starkt, ligger ekvatorn INTE rakt ovanför sonden, och avståndet mellan sonden och de två polerna är inte lika stort. Om sonden lutar, sök den maximala signalstyrkan.
- Bekräfta alltid punkten med den högsta signalstyrkan. Kontrollera att kartan visas, om det inte ändå är säkert att alla nödvändiga förutsättningar är uppfyllda. Kartan förutsätter följande villkor:
 1. Marken är plan.
 2. Sondens ligger plant.

3. Scout befinner sig ovanför marknivån.

4. Scout hålls i det närmaste vertikalt med antennmasten riktad rakt nedåt.

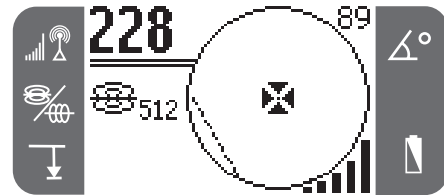
Om dessa förutsättningar inte uppfylls, måste du vara noggrann och finna den högsta signalstyrkan. Om ovanstående förutsättningar gäller och om Scout finns inom två "djup" från signalkällan är i allmänhet kartan användbar och riktig. Du måste vara medveten om detta ifall du använder kartan när målet eller signalkällan ligger mycket grunt. Det användbara sökområdet för enbart kartan kan vara litet om sonden finns på mycket litet djup.

5.7 Lutande sonder

Om sonden lutar, flyttas en pol närmare sonden och den andra längre ifrån, så att sonden inte längre finns mitt emellan polerna. Den närmaste polens signalstyrka blir mycket högre än den mer avlägsna polen. I extrema fall där sonden står vertikalt, finns den ena polen rakt ovanför sonden och denna pol motsvarar också punkten med den högsta signalstyrkan. Den andra polen syns

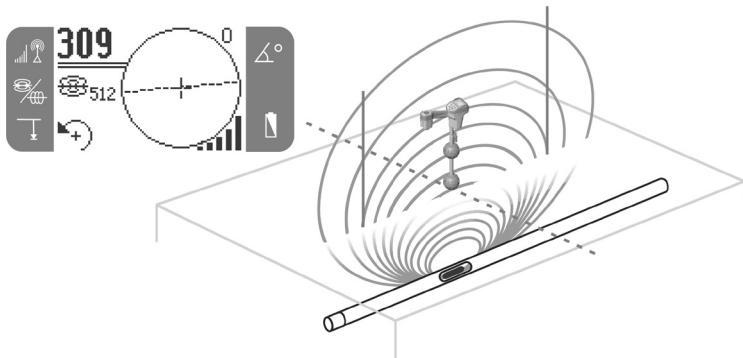
inte. Därför kan sonden lokaliseras även om den är vertikal, vilket kan inträffa om den fallit ned i ett brott på ledningen eller en underjordisk tank.

Vad som syns på skärmen när sonden är vertikal är en pol med maximal signalstyrka.

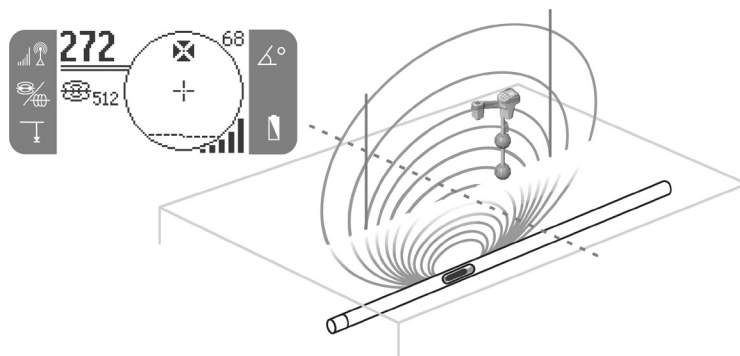


Antennerna i flera riktningar gör att djupet kan mätas även om sonden lutar. Under dessa omständigheter måste funktionen framtvungad djupmätning användas (se Mäta djup)

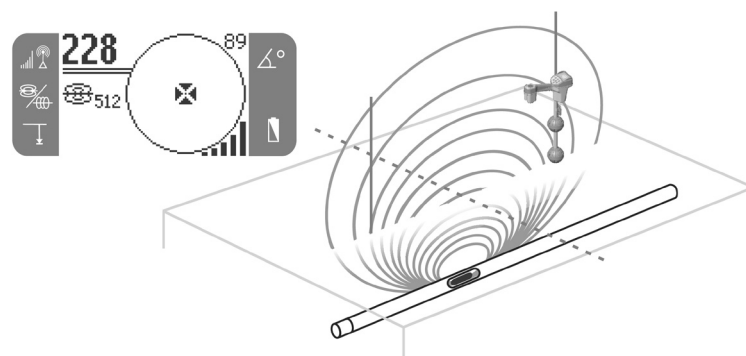
Mikrokarta - Exempel – Sondläge



Scout på ekvatorn



Scout lämnar ekvatorn och närmar sig polen



Scout på polen

6. Följa en ledning med Scout

Scout kan också användas till att följa ett rör eller en ledning så att du kan märka ut den på marken. Detta visar ledningens läge så att den kan undvikas vid grävning eller friläggas för reparation eller utbyte. Scout kan lokalisera strömförande ledningar med ett antal frekvenser eller användas passivt för att lokalisera alla långa ledare som bär signaler. Underjordiska ledningar förses med ström från en ledningssändare. Denna aktiva signal kan sedan följas med en mottagare som till exempel Scout.

1. Anslut ledningssändaren till ledningen enligt tillverkarens instruktioner.

En "sändare" är ett övergripande namn som används för allt som skapar en lokaliseringsbar signal. Det används för att beskriva såväl en sond som den apparat som används för att förse en ledning eller ett rör med ström.

2. Se till att den frekvens som används i sändaren är densamma som i Scout och att det finns en ledningsföljningssymbol ~. Tryck på huvudmenyknappen för att återgå till lokaliseringsskärmen.



3. Innan du börjar följa ledningen rekommenderas att först kontrollera signalstyrkan och se att den sjunker när du drar undan Scout. Rikta masten mot ledningen eller själva sändaren om du använder induktivt läge. Över ledningen ska signalen vara starkast och sedan minska åt båda hållen. Om signalstyrkan och linjerna på skärmen INTE överensstämmer, kan signalen vara deformerad.
4. När du följer ledningen visas dess riktning som två heldragna linjer på skärmen. När linjerna finns i centrum av skärmen visar detta att Scout följer den underjordiska ledningen. Om linjerna försvinner utanför skärmen flyttar du Scout så att de åter finns mitt på skärmen. Den signal som avges från ledningen är starkast rakt ovanför ledningen. Om detta inte stämmer är signalen deformerad.



OBS När du använder en ledningsföljningsfrekvens finns det två linjer på skärmen. När du använder en sondfrekvens är ekvatorn en enda linje.

VARNING Se upp för signalinterferens som kan ge felaktiga avläsningar. Djupangivelser ska behandlas som uppskattningar och det verkliga djupet måste bekräftas genom att frilägga ledningen innan grävning.

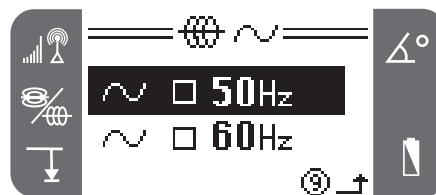
5. Innan du börjar följa ledningen rekommenderas att först kontrollera signalstyrkan och se att den sjunker när du drar undan Scout. Rikta masten mot ledningen eller själva sändaren om du använder induktivt

läge. Över ledningen ska signalen vara starkast och sedan minska åt båda hållen. Om signalstyrkan och linjerna på skärmen INTE överensstämmer, kan signalen vara deformerad.

6.1 Följa en passiv växelströmsledning

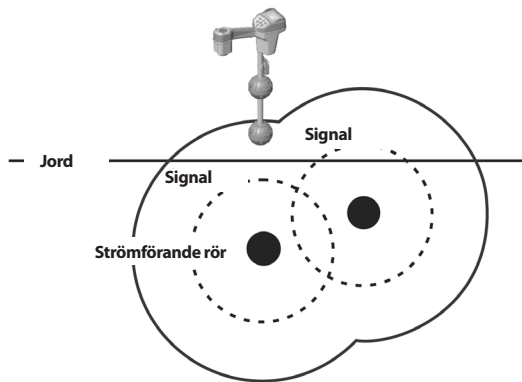
I passivt läge känner Scout av växelströmsfält. Nedgrävda elkablar avger vanligen inte någon spårbar signal om inte någon ström går genom ledningen. Avstängd gatubelysning är till exempel svårt att spåra passivt.

1. Välj en frekvens för att passivt spåra växelström med symbolen för passiv ledningsföljning ~.
2. Scout har som standard två frekvenser för passiv spårning av växelström, 50 Hz och 60 Hz.

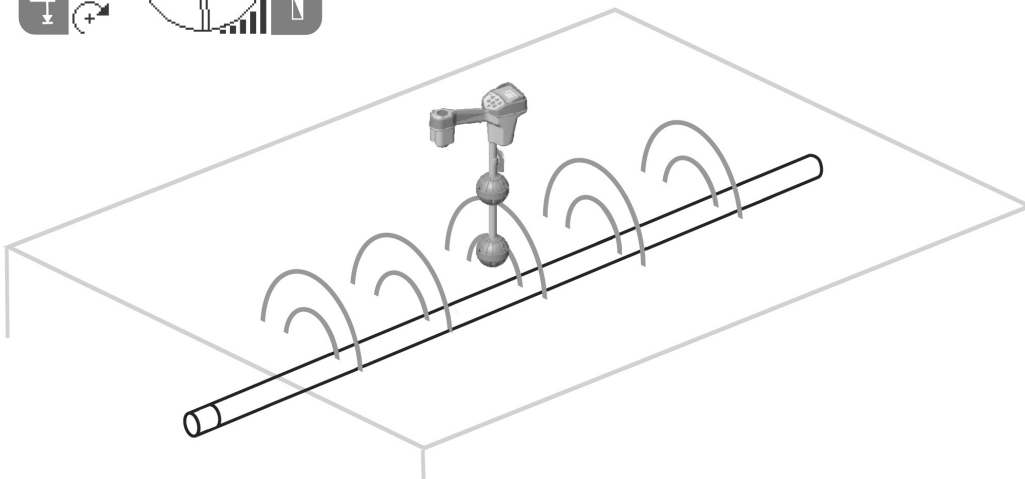
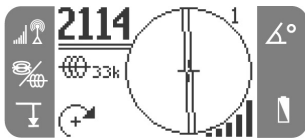


6.2 Tips för ledningsföljning

- När linjerna inte är centrerade på kartan men signalstyrkan är som högst, föreligger distorsion!
 - a. Försök att byta till en lägre frekvens.
 - b. Flytta jordstaven bort från den ledning som ska följas.
 - c. Kontrollera att ledningen inte är sammankopplad med någon annan ledning.
 - Om det inte går att centrera linjerna eller om de utan förklaring rör sig över skärmen kanske Scout inte tar emot någon tydlig signal.
 - a. Kontrollera att sändaren fungerar och att den är ordentligt jordad.
 - b. Kontrollera kretsen genom att rikta den undre antennen mot någon av sändarens kablar.
 - c. Kontrollera att Scout och sändaren använder samma frekvens.
 - d. Prova med olika frekvenser, med början från den lägsta, tills ledningen kan följas utan problem.
 - Strömmen flyter bäst från de tunnaste ledningarna till de grövsta (med den lägsta resistansen). Du bör till exempel följa ett rör från huset ut mot gatan.
 - När du följer ledningen bör signalstyrkan tillta och djupet minska på samma ställe där linjerna finns i centrum av skärmen. Om så inte är fallet, kanske ledningen viker av eller andra signaler kan förekomma.
 - Högre frekvenser läcker mer men kan krävas för att kunna hoppa över avbrott i ledningar eller isolerande kopplingar.
 - När sändaren används induktivt måste du börja lokaliseringen 10 - 15 m bort för att undvika "luftkoppling". Det är när Scout fångar upp signalen från sändaren direkt och inte från den ledning som ska följas.
- Mikrokartan förutsätter följande omständigheter:
- a. Marken är plan.
 - b. Ledningen är horisontell.
 - c. Scout befinner sig ovanför marknivån.
 - d. Antennmasten på Scout hålls ungefär vertikalt.
- Om dessa förutsättningar inte uppfylls, måste du vara noggrann och finna den högsta signalstyrkan. Om Scout finns inom två "djup" från ledningen är i allmänhet kartan användbar och riktig. Du måste vara medveten om detta ifall du använder kartan när målet eller ledningen ligger mycket grunt. Det användbara sökområdet för kartan kan vara litet om sonden finns på mycket litet djup.



Mikrokarta - Exempel – Ledningsföljning



7. Verktöymeny

7.1 Ändra djupenheter

Du kan ändra måtenheterna för djup till antingen fot eller meter. Du ändrar denna inställning genom att markera djupsymbolen på verktöymenyn och växlar sedan mellan fot och meter genom att trycka på valknappen.



7.2 Automatisk bakgrundsbelysning

Låg ljusnivå detekteras av en ljussensor som är inbyggd i knappsatsens övre vänstra hörn. Du kan sätta på bakgrundsbelysningen genom att täcka denna sensor med tummen.

Den automatiska bakgrundsbelysningen för skärmen är fabriksinställd att bara tändas när det är ganska mörkt, för att spara på batterierna. När batterierna är nästan slut syns det att bakgrundsbelysningen är svag. Belysningen används med en mycket låg nivå för att spara på batterierna. Om du vill stänga av bakgrundsbelysningen markerar du glödlampssymbolen i verktöjsdelen av menyn och växlar mellan Auto och av genom att trycka på valknappen.



7.2.1 Kontrast

När alternativet LCD är markerat kan kontrasten på skärmen justeras med upp- och nedpilarna.



8. Användbar information

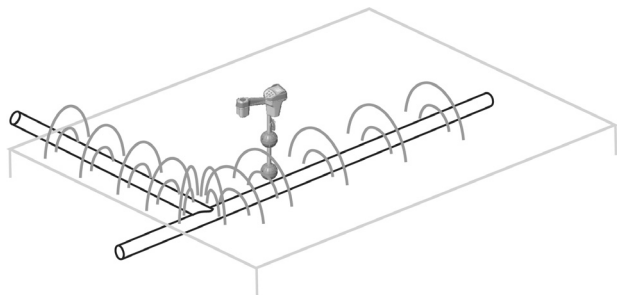
8.1 Signalstörningar

8.1.1 Deformerade fält

Ibland kan ett enstaka fält stöta på metall eller annat järnhaltigt material i marken, vilket kan deformera fältlinjerna. Det kan vara en annan ledning, nedgrävt skrot eller gamla oanvända ledningar som kan avleda eller förkorta fältlinjerna. I dessa fall kan Scout visa en svagare signal runt föremålet och en starkare signal rakt ovanför det. Föremålet kan fungera som en lins som oberäkneligt förstärker eller försvagar signalen.

8.1.2 Sammansatta fält

Sammansatta fält kan också förekomma. När ett enstaka fält stöter på ett annat, kan dessa tillsammans förorsaka en starkare signal. Det är viktigt att operatörerna förstår detta vid "T:n" eller räta vinklar på ledningen, där sammansatta fält ofta uppstår.



Sammansatt fält runt en anslutning på ledningen.

8.1.3 Brus

Störande signaler (brus) är helt enkelt en del av utmaningen vid lokalisering. Störningar kan antingen ha samma frekvens som den som används, eller ha andra frekvenser. Några av de starkaste störsignalerna skapas av kraftöverföringsutrustning. Transformatorer, stora elektriska motorer, generatorer och kraftledningar kan förorsaka starka störningssignaler. Områden med mycket brus bör undvikas om detta är möjligt.

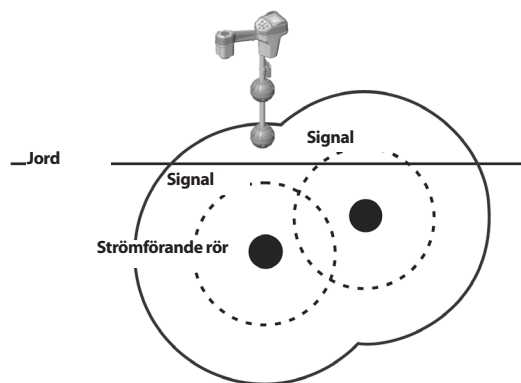
Om vinkelvisningen är instabil och/eller signalnivåerna är ojämna är detta ett tydligt tecken på att det antingen inte finns någon målsignal (sond eller strömförande ledning) eller att störningsnivån är hög.

8.2 Noggrannhet

Mätning av djup och signalstyrka är beroende av att Scout kan ta emot en stark signal. Kom ihåg att Scout används ovan mark för att känna av elektromagnetiska fält som avges från underjordiska ledningar (elektriska ledare som till exempel metalledningar och rör) eller sonder (aktivt sändande pejsändare). När fälten är enkla och odeformerade är de avkända fälten representativa för det nedgrävda objektet.

Om fälten är deformerade eller det finns flera samverkande fält, gör detta att Scout lokaliserar utan precision. Lokalisering är ingen exakt vetenskap. Det kräver att operatören använder sitt omdöme och söker efter all information som finns tillgänglig förutom den som instrumentavläsningarna kan ge. Scout ger användaren mer information men det är operatören som måste tolka informationen på rätt sätt. Ingen tillverkare av lokaliseringsutrustning påstår att operatören blint ska följa informationen från deras instrument. Förhållanden där lokaliseringens noggrannhet måste ifrågasättas:

- **När det finns andra ledningar i närheten.** "Läckor" kan förorsaka deformerade fält och oavsiktligt aktivera ledningar. Använd lägre frekvenser om möjligt och eliminera alla förbindelser mellan ledningarna.



- **När du använder sändaren induktivt.** Detta ger ledningen en svag signal. Använd direkt anslutning när detta är möjligt.
- **När det finns T-anslutningar i ledningen eller den är delad.** Kan orsaka störningar i signalen.
- **När signalstyrkan är låg.** En stark signal är nödvändig för noggrann lokalisering.
- **När markförhållandena varierar.** Extremfall beträffande fuktighet, antingen mycket torr eller övermättad mark, kan påverka mätningarna. Om marken till exempel är mättad med salthaltigt vatten, vilket kan förekomma vid kusterna, avskämmas signalen kraftigt och blir mycket svår att lokalisera.

9. Transport och lagring

Se till att apparaten är avstängd innan den ska transporteras, för att spara batterierna.

Se till att apparaten ligger stilla vid transport så att den inte studsar runt eller får slag av annan lös utrustning.

Scout ska förvaras på en sval, torr plats.

Om Scout ska förvaras under längre tid ska batterierna tas ur.

10. Installation/Använda tillbehör

Med Scout följer också markeringar som kan användas för att märka ut polernas eller sondens läge på marken. Det finns två röda markeringar för polerna och en gul markering för sonden.

Om du behöver ytterligare hjälp, kontakta återförsäljaren eller en RIDGID-representant.

11. Underhåll och rengöring

⚠ VARNING

- Håll Scout ren med en fuktig trasa och mildt rengöringsmedel. Doppa den inte i vatten.
- Vid rengöring, använd aldrig verktyg eller slipmedel som kan repa skärmen. ANVÄND ALDRIG LÖSNINGSMEDEL vid rengöring av någon del av systemet. Aceton eller andra starka kemikalier kan orsaka sprickor i höljet.

12. Lokalisera felaktiga komponenter

Förslag på felsökningsåtgärder finns i slutet av handboken. Kontakta vid behov Ridge Tool eller din återförsäljare om du behöver mer information eller hjälp.

13. Underhåll och reparationer

⚠ VARNING

Apparaten bör tas till en auktoriserad RIDGID-serviceverkstad.

14. Felsökningsguide

PROBLEM	TROLIGT FEL
Scout låser sig under användning.	Stäng av apparaten och slå sedan på den igen. Ta bort batterierna om det inte går att stänga av den.
Under spårning "hoppar" linjerna över hela skärmen på mikrokartan.	Detta tyder på att Scout inte tar emot signalen eller att det förekommer störningar.
	Me till att sändaren är riktigt ansluten och jordad. Rikta Scout mot någon av ledarna så att du är säker på att du har en fullständig krets.
	Prova en högre frekvens.
Under lokalisering av en sond "hoppar" linjerna över hela skärmen.	Försök hitta källan till störningarna och eliminera dessa.
	Kontrollera sondens batterier så att de fungerar.
Avståndet mellan sonden och polerna är inte lika stort.	Verifiera signalen genom att placera den nedre antennen nära sonden.
	Observera – Sonderna har svårt att sända signaler genom ledningar av gjutjärn.
Apparaten fungerar ojämnt, går inte att stänga av.	Sonden kan luta eller det kan finnas en övergång mellan gjutjärn och plast
Apparaten fungerar ojämnt, går inte att stänga av.	Batterierna kan vara dåliga. Byt till nya batterier och starta om.
Skärmen är helt mörk eller helt ljus när strömmen slås på.	Stäng av apparaten och slå sedan på den igen.
	Justera skärmens kontrast.
Det hörs inget ljud.	Justera ljudnivån på ljudmenyn.
Scout tar inte emot signalen.	Kontrollera att rätt läge och frekvens är inställda.
Scout går inte att starta.	Kontrollera att batterierna är rättvända. Kontrollera att batterierna är laddade. Kontrollera att batterikontakterna verkar hela. En säkring kan ha gått (verkstadsservice krävs).

15. Specifikationer

Vikt med batterier.....	1,4 kg
Vikt utan batterier.....	1 kg
Mått	
Längd.....	28,5 cm
Bredd.....	11,0 cm
Höjd.....	56,0 cm
Strömkälla	
4 alkaliska batterier av C-typ, 1,5 V (ANSI/NEDA 14A, IEC LR14) eller 1,2 V NiMH eller NiCad laddningsbara batterier	
Strömmärkning: 6 V, 550 mA	
Användningsmiljö	
Temperatur.....	20°C till 50°C
Fuktighet	5% till 95% RH
Förvaringstemperatur.....	-20°C till 60°C
Standardfrekvenser	
Sond.....	512 Hz, 640 Hz, 874 Hz, 33 kHz
Aktiv ledningsföljning.....	512 Hz, 8 kHz, 33 kHz
Passiv ledningsföljning.....	60 Hz, 50 Hz

Standardinställningar

Lokaliserarens standardinställningar är:
 Djupenheter = Meter och centimeter
 Volym = 1 (ett steg över tyst)
 Bakgrundsbelysning = Auto

Standardutrustning

- Scout Lokaliserare
- Markeringar och masthållare
- 2 Operatörshandbok: USA + Europeisk
- 4 C-batterier (alkaliska)
- Video PAL

Extra utrustning

- Ytterligare pol-/sondmarkeringar
- NaviTrack-sändare
- Induktiv signalklämma
- Batterisond
- Flöte

16. Förklaring av symboler

SYMBOLER PÅ SKÄRMEN

	Sondfrekvens
	Aktiv spårningsfrekvens
	Passiv (växelströms-) spårningsfrekvens
	Ljudnivå
	Batterinivå
	Djup
	Horisontell vinkelindikator
	Signalstyrka
	Verktymsmeny
	Kontrast
	Bakgrundsbelysning

SYMBOLER PÅ KNAPPSATSEN

	Menynavigering
	Återställning av ljud/Val av menyalternativ
	Menynavigering/Framtvingad djupmätning (tryck 3 sekunder)
	Strömbrytare
	Menyknapp
	Sond/Spårning/Frekvenslägesknapp
	Volymknapp

DA

NaviTrack Scout Betjeningsvejledning

Oversættelse af den originale brugsanvisning



GENERELLE SIKKERHEDSOPLYSNINGER

ADVARSEL! Læs og forstå alle anvisningerne. Hvis alle anvisningerne ikke overholdes, er der risiko for elektrisk stød, brand og/eller alvorlig personskade.

**LÆS DE MEDFØLGENDE SIKKERHEDSANVISNINGER.
OPBEVAR DISSE ANVISNINGER!**

EF-overensstemmelseserklæringen (890-011-320.10) er vedlagt denne vejledning i en særskilt brochure, når det er påkrævet.

Forholdsregler vedrørende batterier:

- **Brug altid den batteristørrelse og -type, som anvises af producenten. Bland ikke forskellige batterityper (f.eks. alkaliske og genopladelige).** Brug ikke delvist opladede batterier sammen med fuldt opladede batterier (f.eks. gamle og nye).
- **Genoplad batterier med opladeudstyr som anvist af batteriproducenten.** Brug af en forkert oplader kan få batteriet til at overhede og revne.
- **Bortskaf batterierne på korrekt vis.** Hvis batterier udsættes for høje temperaturer, kan de eksplodere. Derfor må de ikke bortskaffes ved forbrænding. Nogle lande har lovregler for bortskaffelse af batterier. Overhold de gældende regler.

1. Brug og vedligeholdelse af Scout

- **Brug altid udstyret som anvist.** Scout-søgeren må ikke bruges, før operatøren er fuldt oplært i brugen heraf og har læst instruktionsbogen.
- **Antennerne må ikke nedsænkes i vand.** Opbevar søgeren tørt. Derved mindses risikoen for elektrisk stød og beskadigelse af instrumentet.
- **Kontroller, om der er beskadigede dele eller andet, som kan påvirke funktionen af Scout-søgeren.** Få instrumentet repareret før brug, hvis det er beskadiget. Mange uheld skyldes dårligt vedligeholdt værktøj.
- **Brug kun tilbehør som anbefalet til Scout af producenten.** Tilbehør, som passer til et bestemt instrument, kan være farligt ved brug sammen med andre instrumenter.
- **Hold håndtagene rene, tørre og fri for olie og fedt. Derved har brugeren bedre kontrol over instrumentet.**
- **Beskyt søgeren mod kraftig varme.** Søgeren bør holdes på afstand af varmekilder, såsom radiatorer, varmespjæld, ovne mv. (herunder forstærkere), som frembringer varme.

1.1 Service

- **Eftersyn og reparationer på diagnoseinstrumentet må kun udføres af reparatører, som er kvalificeret hertil.** Eftersyn, reparationer eller vedligeholdelse udført af reparatører, som ikke er kvalificeret hertil, kan resultere i personskade.

- **Rengør søgeren korrekt.** Tag batterierne ud før rengøring. Brug ikke rensmidler i væske- eller sprayform. Brug en fugtig klud til rengøring.
- **Foretag en sikkerhedskontrol.** Få serviceteknikeren til at foretage en sikkerhedskontrol af søgeren efter eftersyn eller reparation for at kontrollere, at den fungerer korrekt.
- **Skader på søgeren, som kræver reparation.** Tag batterierne ud, og få søgeren repareret af en servicetekniker, som er kvalificeret hertil, hvis følgende er sket:
 - Hvis der er spildt væske eller faldet genstande ned i søgeren.
 - Hvis søgeren ikke fungerer normalt ved at følge betjeningsvejledningen.
 - Hvis søgeren har været tabt eller er blevet beskadiget.
 - Hvis søgeren fungerer markant anderledes.

Ved al henvendelse skal alle data på søgerens dataskilt, herunder model- og serienummer, oplyses.

1.2 Vigtigt

Scout er et diagnoseværktøj, som registrerer elektromagnetiske felter, der udstråles af nedgravede genstande. Det bruges som en hjælp til at lokalisere sådanne genstande ved at registrere karakteristikker i feltlinjerne og vise disse på instrumentets display. Da elektromagnetiske feltlinjer kan blive forvrænget og udsat for interferens, er det vigtigt at få bekræftet placeringen af genstande i jorden, før der graves.

Der kan være mange installationer i jorden i det samme område. Overhold de gældende retningslinjer.

Den eneste måde at bekræfte tilstedeværelsen, placeringen og dybden af en installation er ved at fritlægge den.

Ridge Tool Co. samt selskabets tilknyttede firmaer og leverandører påtager sig intet ansvar for personskader eller direkte, indirekte, forbundne eller afledte skader, som pådrages ved at bruge Scout. Der kan være mange installationer i jorden i det samme område. Overhold de gældende retningslinjer.

2. Introduktion til Scout

Scout™ sonde- og kabelsøgeren anvender flervejsantenner og avanceret databehandling til hurtig, præcis og enkel lokalisering af sonder og nedgravede installationskabler.

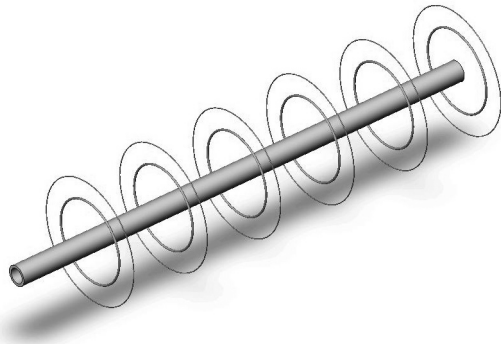
2.1 Hvad er det enestående ved denne søger?

Med sin avancerede teknologi har Scout en lang række enestående funktioner sammenlignet med almindelige søgere:

- Flervejsantennesystem.
- Mikrokort på display.
- Indikation af markante signalkarakteristika.

2.2 Hvordan fungerer den?

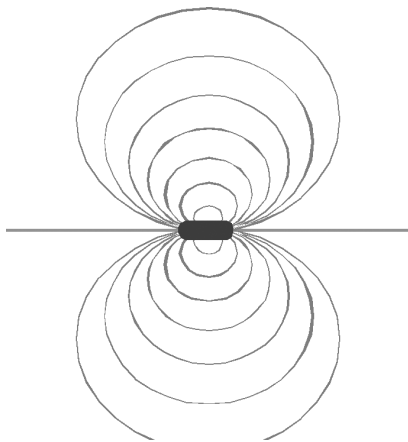
Scout bruges over jorden til at registrere elektromagnetiske felter, som udstråles af nedgravede eller skjulte kabler (elektriske ledere såsom ledninger og rør af metal) eller sonder (aktive sendere). Når felterne er simple og uforvrængede, gengives den nedgravede genstand af de registrerede felter. Scout lokaliserer ledende genstande, som udstråler et felt. Søgeren registrerer ikke direkte nedgravede genstande. Der udstråler to typer elektriske felter fra nedgravede genstande: den første udstråles af lange ledere, såsom strømførende kabler, spiraler til inspektionskameraer eller rør. Disse genstande frembringer et langt cylinderformet felt, og dette kaldes ofte "kabeløgning".



Feltet, der udstråles af et strømførende kabel.

(Passiv AC-søgning er blot én specialfunktion, hvor kablet "tilføres" elektrisk strøm.)

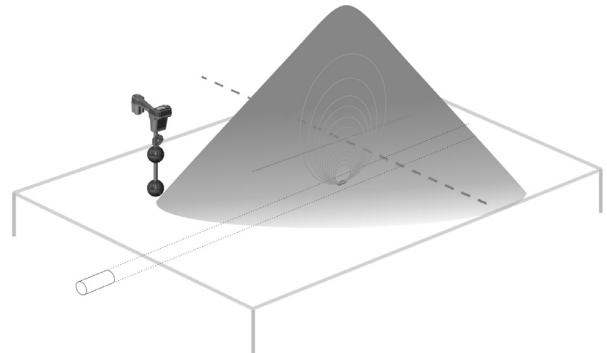
Den anden type, "sonder" (også kaldet sendere eller aktive kabelsonder), udstråler et felt med en anden udformning, og Scout programmeres til at måle og vise denne felttype. En sondes mere komplekse feltform kaldes et dipolfelt, og dette er det samme, som frembringes af en stangmagnet og jordkloden.



Dipolfeltet, der udstråles af en sonde.

Elektromagnetiske felter har 3 vigtige egenskaber: frekvens, styrke og vinkel (retning). I modsætning til almindelige søgere, som kun kan måle styrken i en eller flere enkeltantenners retning, måler Scout både signalstyrken og feltvinklerne i tre dimensioner (3D). Denne udvidede funktionalitet gør det muligt at vise søgningen på et kortdisplay. Erfarne brugere kan bruge disse yderligere oplysninger til hurtigere lokalisering og som en hjælp til at klare komplekse søgninger. Samtidigt kan lejlighedsvis brugere eller førstegangsbrugere let foretage søgning blot ud fra signalstyrken.

Søgeregel nr. 1 for Scout er at gøre tallet så højt som muligt! – Maksimering af signalstyrken er den primære søgemetode.



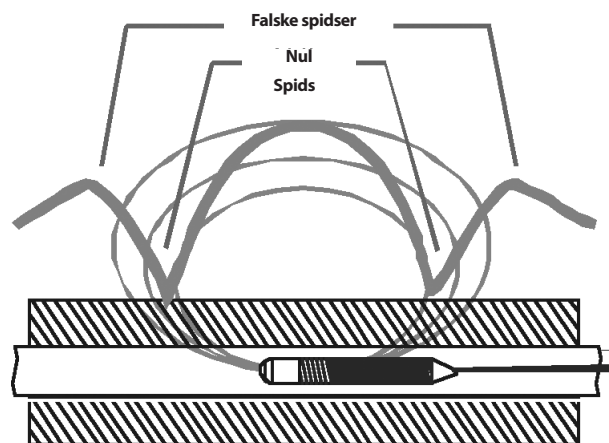
Eksempel på, hvordan Scout maksimerer direkte over sonden.

Uanset om du foretager kabelsøgning eller sondelokalisering opnås den maksimale signalstyrke lige over målet. Dybden vises, når du er over målet.

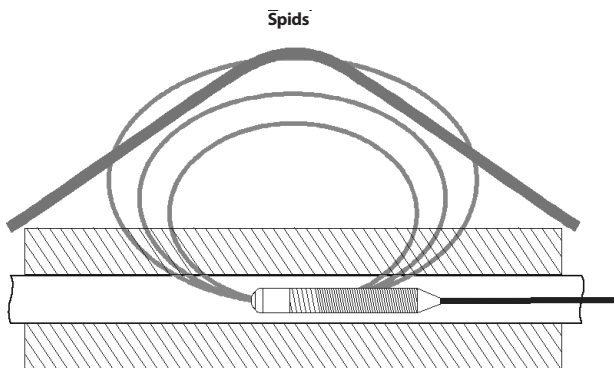
2.3 Hvad er fordelene med Scout's flervejsantenner?

Visning af hele signalet med flervejsantenner giver følgende klare fordele:

1. Signalet bliver altid kraftigere, når brugeren nærmer sig målet.
2. Eliminere nul og "fantomspidser". Et almindeligt søgersignal har en spids, efterfulgt af et nul og derefter en mindre spids. Dette kan forvirre brugere, især hvis de opfatter en lille spids som målet ("fantomspidser" eller "falske spidser"). Scout viser kun én spids for at lede brugeren frem til målet.



Sondesignal som registreret af en almindelig søger. Hovedspids i midten og to falske spidser på ydersiden af de to nuller.



Sondesignal som registreret af Scout. Kun én spids, ingen nuller.

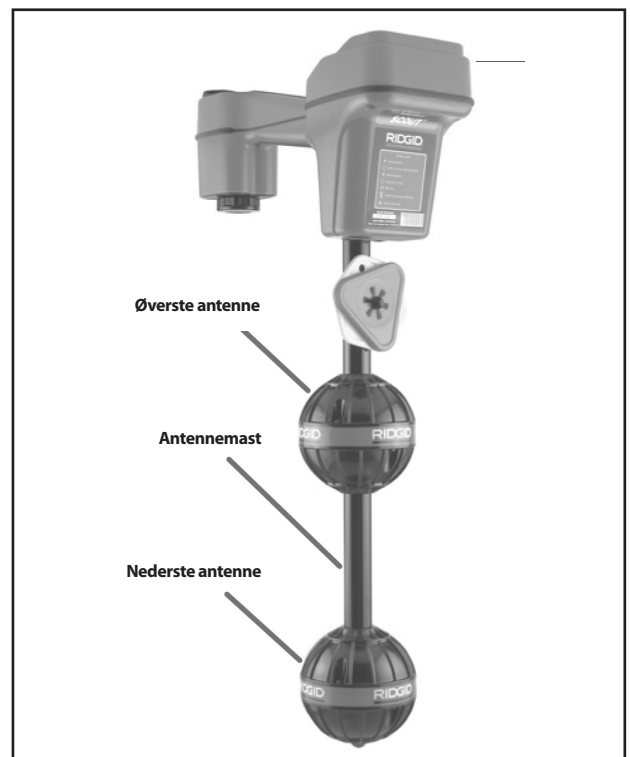
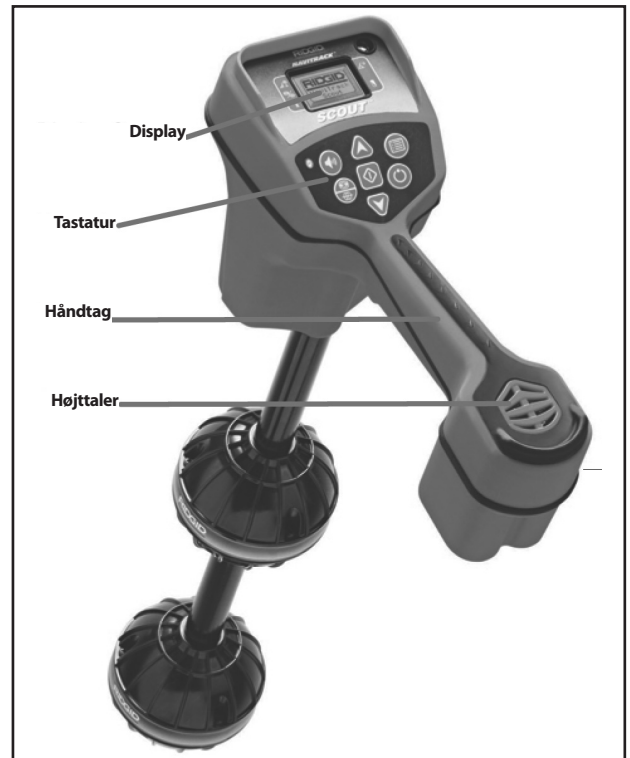
3. Måden, hvorpå udstyret holdes, påvirker ikke signalstyrken. Brugeren kan nærme sig fra alle retninger og behøver ikke vide, hvor røret eller kablet ligger.
4. Yderligere funktioner til identificering og udførelse af "vanskelige" søgninger omfatter et grafisk mikrokort og en vinkelindikator som hjælp til at fortolke signalkarakteristikaene.

2.4 Hvad er fordelene med et mikrokort?

Kortet gengiver signalkarakteristikaene på displayet. Du ser signalet i jorden grafisk på displayet gengivet i fugleperspektiv. Kortet bruges som en visuel hjælp til at søge efter nedgravede kabler og kan bruges til bedre lokalisering af sonder. Desuden kan det bruges som en kilde til flere oplysninger ved komplekse søgninger.

Når søgeren bevæges hen over jorden, passerer Scout signalet, der udsendes af genstande i jorden. Derved kan brugeren se signalet gengivet på displayet og derefter markere det. Almindelige søgere kan ikke kortlægge signaler i jorden, da antennerne på disse ikke kan registrere hele genstandens form.

3. Komponenter til Scout

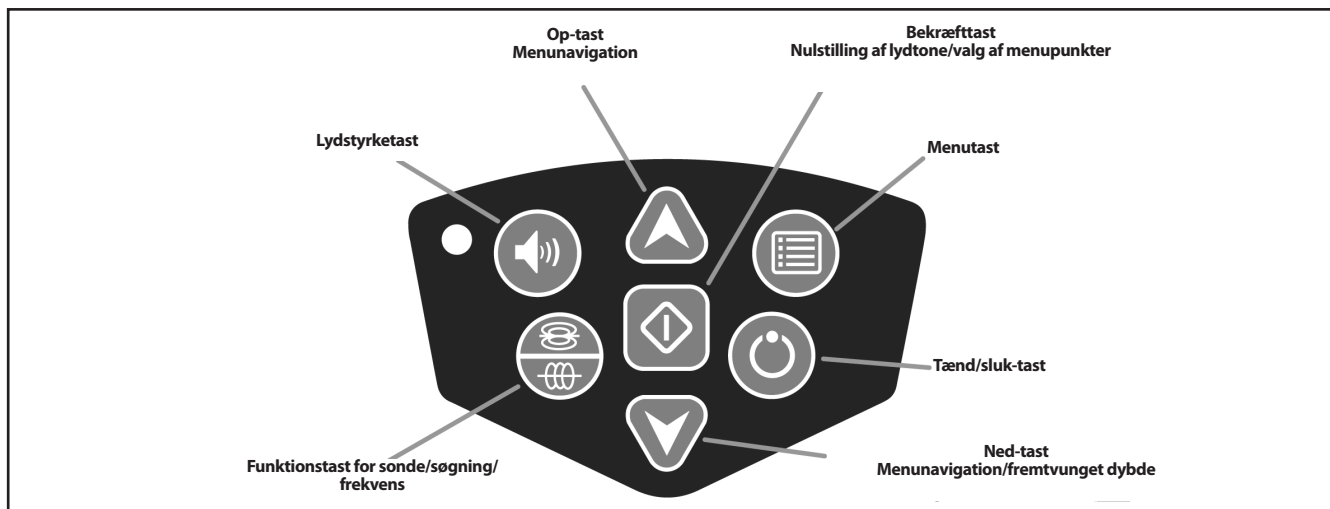




Display



Tastatur



Lydstyrketast – åbner og lukker lydstyrkemenuen.

Funktionstast for sonde/søgning/frekvens – skifter mellem aktive frekvenser og funktioner.

Op-tast – ruller op gennem menupunkterne.

Bekræfttast – vælger det markerede menupunkt, når der er en menu åben.

Ned-tast – ruller ned gennem menupunkterne.

Menutast – åbner/lukker menuen.

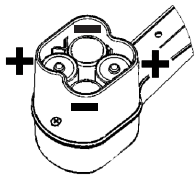
Tænd/sluk-tast – tænder eller slukker for Scout.

4. Klargøring

4.1 Isætning/skift af batterier

Du sætter batterier i Scout ved at vende den om, hvor batterirummet er placeret. Drej knappen på batterilåget mod uret. Træk lige op i knappen for at tage låget af. Sæt batterierne i som vist på mærkaten på indersiden, og sørg for at isætte dem, så der er fuld kontakt.

Sæt låget på plads igen, og drej knappen med uret, mens du trykker let på låget for at lukke det. Batterilåget kan vende på begge måder.



Når du tænder for Scout, bliver batterierne kontrolleret i løbet af de første få sekunder. Mens det pågår, bliver batteriniveauet indikeret som "nul".

⚠ ADVARSEL


Pas på, at der ikke kommer fremmedlegemer ind i batterirummet. Hvis det sker, kan batterikontaktpunkterne kortslutte, så batterierne hurtigt aflades med risiko for udsivende elektrolyt eller brand.

4.2 Batterilevetid


Scout-søgeren kan med alkaliske batterier typisk bruges i 12 til 24 timer afhængig af f.eks. lydstyrken, og hvor ofte lyset i displayet er tændt. Øvrige faktorer, som påvirker batterierne funktionstid, er batteriets kemiske sammensætning (mange nye højkapacitetsbatterier, f.eks. "Duracell® ULTRA", har faktisk 10%-20% længere levetid end almindelige alkaliske batterier ved højt strømtræk). Brug ved lave temperaturer reducerer også batterilevetiden.

For at spare på batteristrømmen afbrydes Scout automatisk efter 1 time, hvis der ikke trykkes på knapperne. For at bruge søgeren skal du blot tænde for den igen.

4.3 Tænd/sluk

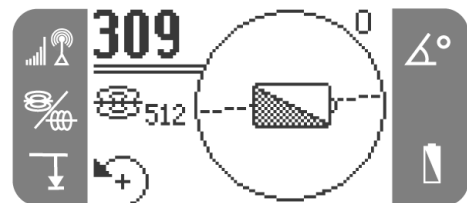
Tænd for søgeren ved at trykke på tænd/sluk-knappen  på tastaturet. RIDGID® logoet bliver vist på displayet med nummeret for softwareversionen i nederste højre hjørne.



Sluk for søgeren ved at holde tænd/sluk-knappen  på tastaturet inde og derefter slippe den. Bemærk, at der går nogle sekunder, før søgeren bliver tændt/slukket.

4.4 Advarsel for svag batteristrøm

Når batterierne er ved være brugt, bliver der vist et batterikon i kortområdet på displayet. Det indikerer, at batterierne skal skiftes, og at søgeren snart bliver afbrudt.



Umiddelbart før det sker, starter der en slukkesekvens, som ikke kan stoppes.

I nogle tilfælde kan spændingen på genopladelige batterier falde så hurtigt, at søgeren straks bliver slukket. Søgeren bliver slukket og starter igen. Isæt blot friske batterier, og tænd for søgeren igen.

5. Indstilling

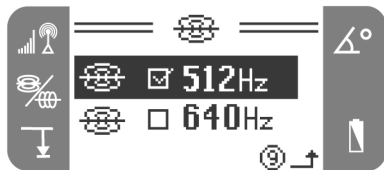
Når Scout-søgeren er tændt og klar til brug, skal du først indstille frekvenserne for det, der skal søges efter. De enkelte frekvenser aktiveres ved at vælge dem på en menu.

1. Tryk på menutasten, marker frekvenstypen, og tryk på bekræfttasten for at aktivere den:



2. Brug op- og ned-pilene til at markere en frekvens, der svarer til den, der anvendes i sonden eller kabelsenderen, og tryk derefter på bekræfttasten for at bekræfte det markerede (se Menupunkter). Tryk på menutasten for at gå tilbage til hoveddisplayet.





⚠ ADVARSEL

Sørg for, at den valgte frekvens svarer til den, der skal søges efter. 512 og 33 er tilgængelige som frekvenser BÅDE til sonde- OG kabelsøgning. Hvis du bruger en sondefrekvens til kabelsøgning eller omvendt, kan det medføre, at der bliver vist forkerte oplysninger om dybden på Scout-displayet.

- Tryk derefter på funktionstasten for sonde/søgning/ frekvens for at gennemse de aktiverede frekvenser og funktioner. Vær opmærksom på ikonerne på displayet, så du er klar over, hvilken funktion der er aktiveret på Scout-søgeren.



- Hvis dybden, den automatiske baggrundsbelysning eller lcd-kontrasten skal justeres, skal du markere det ønskede menu punkt i menuens værktøjssektion og foretage ændringerne ved hjælp af bekræfttasten.



5.1 Menu punkter

Sondesporings-frekvenser		512 Hz 640 Hz 874 Hz 33 Hz
Kabelsporings-frekvens		50 Hz (passiv) 60 Hz (passiv) 512 Hz 8 kHz 33 kHz
Værktøjsmenu		Fod/meter Auto baggrundsbelysning Lcd-kontrast

5.2 Lydindikationerne på Scout

Lyden følger stigende og faldende signalstyrker. Tonehøjden og lydstyrken øges, når signalet bliver kraftigere, og omvendt, når signalet bliver svagere. Efterhånden som signalet bliver kraftigere, øges tonehøjden og lydstyrken for at hjælpe brugeren frem til den maksimale signalstyrke. Hvis signalstyrken falder, ændres lyden på søgeren til en vibrerende baslyd som indikation af, at der ikke registreres et signal.

Scout er udstyret med automatisk lydstyrkekontrol. Når lydstyrkekontrollen går ét trin op eller ned, indstilles lyden automatisk ved den højere eller lavere intensitet.

Indstil lydstyrken ved at trykke på lydknappen.



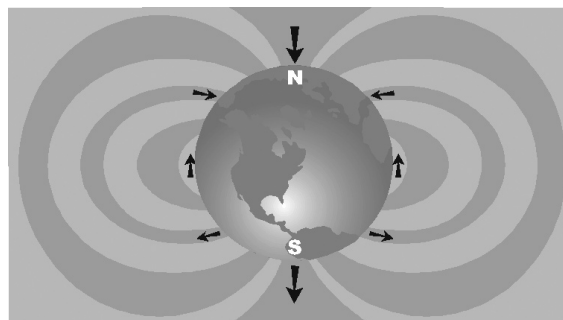
Lydstyrken reguleres, hver gang der trykkes på lydknappen (op/ned-pilene kan også bruges til at indstille lydstyrken). Tryk på bekræfttasten for at lukke skærbilledet.



BEMÆRK Hvis du trykker på bekræfttasten ved normal betjening, indstilles tonehøjden på mellemniveau.

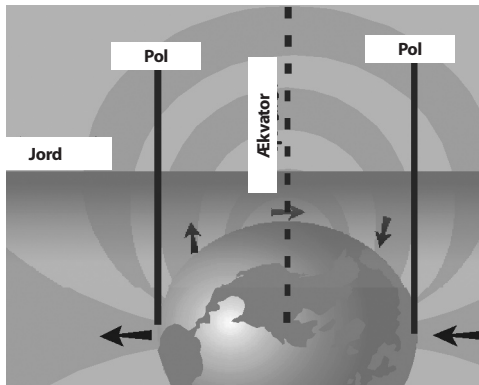
5.3 Oversigt - Funktion af Scout ved sondelokalisering

Sonder (også kaldet sendere eller aktive kabelprober) udsender et elektromagnetisk felt, der minder meget om det magnetfelt, som udsender fra jordkloden.



Hvis jordkloden blev lagt på siden, ville dens magnetfelt ligne feltet fra en sonde.

Som søger kan Scout måle formen (vinklen) af feltlinjerne fra en sonde og identificere markante karakteristika i disse linjer. Der er 3 vigtige karakteristika: de to **POLER** og **ÆKVATOR**. Ved polerne er signalvinklen 90 grader (lodret). Ved ækvator er den 0 (vandret). Polerne er definerede punkter, mens ækvator helt omhyller sonden. Da disse definerede karakteristika er konstante, kan de bruges til nøjagtig lokalisering af sonden.



Polerne optræder normalt, hvor almindelige søgere registrerer "nul", dvs. de døde punkter, der forekommer, når signalet passerer lodret gennem antennerne på disse søgere. Forskellen er, at Scout kan "se" polerne ("nullerne") og vise dig, hvor de er, **selv hvis du ikke står lige over dem, og uanset hvordan antennerne på Scout-søgeren vender i forhold til signalet.**

Det er en af årsagerne til, at lokalisering med Scout er meget lettere end med almindelige søgere.

Sonden er placeret, hvor ækvator går direkte mellem de to poler..


5.4 Lokalisering af sonden

Scout kan bruges til at lokalisere signalet fra en sonde (sender) i et rør, så placeringen af den identificeres over jorden. Sonder kan placeres ved problemsteder i et rør ved hjælp af en kameraspiral. Eller de kan skylles gennem røret.

Nedenfor antages det, at sonden er placeret i et vandret rør, jordoverfladen er nogenlunde plan, og Scout-søgeren holdes med antennemasten lodret.

VIGTIGT Signalstyrken er nøgelfaktoren til at bestemme sondens placering. For at foretage lokaliseringen præcist SKAL du sørge for at maksimere signalstyrken, før du angiver et område til opgravning.

5.4.1 Benyt følgende fremgangsmåde til at indstille søgningen ved lokalisering af en sonde:

- Før du sætter sonden i røret, skal du bruge Scout til at kontrollere, at den fungerer, og at Scout kan modtage signalet fra den.
- Når sonden er på plads og sender, skal du aktivere den og indstille samme frekvens på Scout. Sørg for, at der er et sondeikon ud for frekvensen .

▲ ADVARSEL

Sørg for, at den valgte frekvens svarer til den, der skal søges efter. 512 og 33 er tilgængelige som frekvenser BÅDE til sonde- OG kabelsøgning. Hvis du bruger en sondefrekvens til kabelsøgning eller omvendt, kan det medføre, at der bliver vist forkerte oplysninger om dybden på Scout-displayet.

- Gå frem til stedet, hvor sonden menes at være placeret. Hvis du ikke kender røret, skal du skubbe sonden et kortere stykke ind i røret (ca. 1,5 meter fra åbningen er et godt sted at starte).

5.4.2 Benyt derefter en af følgende metoder til at lokalisere sonden:

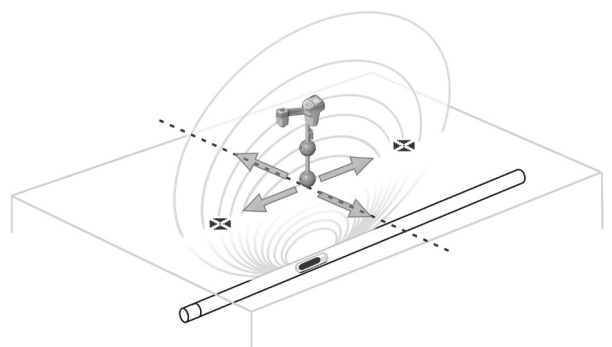
Metode 1 – Maksimer signalstyrken

1. Hold Scout-søgeren med antennemasten væk fra kroppen. Bevæg antennemasten i retningen, hvor sonden menes at være, mens du holder øje med signalstyrken og lytter efter indikationslyden. Signalet er kraftigst, når antennemasten peger mod sonden.
2. Hold nu Scout i den normale betjeningsstilling (antennemasten lodret), og gå i retning mod sonden. Efterhånden som du nærmer dig, øges signalstyrken, og lydstyrken og tonehøjden for indikationslyden øges. **Maksimer signalet** ud fra signalstyrken og indikationslyden.



3. Når du har fundet maksimum, skal du placere Scout tæt på jordoverfladen netop over punktet og gå i alle retninger for at kontrollere, at signalet begynder at falde.

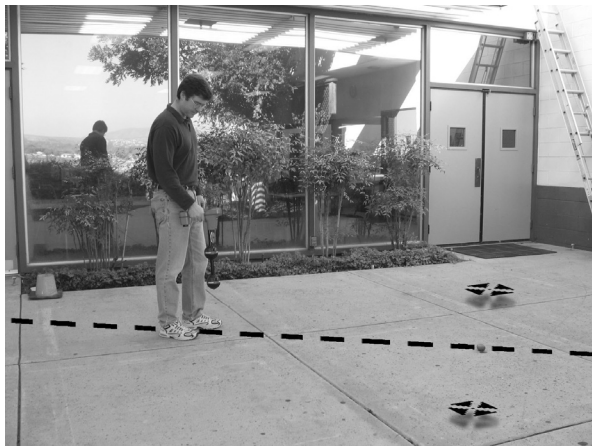
BEMÆRK Det kraftigste signal er afgørende. Ækvatorlinjen kan være placeret et andet sted end det kraftigste signal, hvis sonden er placeret skråt (se Skråtstillede sonder).



Metode 2 – Følg ækvator – Maksimer dernæst signalstyrken

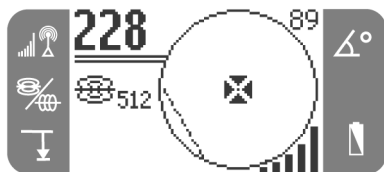
1. Fungerer bedst på åbne steder uden forhindringer, hvor **sonden forventes at være placeret vandret**. Bevæg antennemasten og gå derefter i retningen for den maksimale signalstyrke som beskrevet under metode 1.
2. Når ækvatorlinjen er **stabil** og placeret midt i displayet på Scout, skal du følge linjen for at øge signalstyrken. Når den maksimale signalstyrke er nået, skal du bevæge Scout langs med ækvator **og i alle** retninger for at kontrollere, at søgeren er på maksimumpunktet.

Hvis sonden står skråt, skal du sørge for at finde maksimumsignalet, fordi dette er, hvor sonden er placeret.



Bekræft placeringen.

1. På stedet, hvor signalstyrken er maksimal, skal du, med antennemasten i lodret stilling, bevæge Scout vinkelret på ækvatorlinjen på displayet. Når polikonet bliver vist på displayet, skal du bevæge Scout, indtil polikonet er midt i trådkorset **med den nederste antennekugle** placeret på jorden. Læg en af de orange trekantmarkører på jorden på stedet.



Vis, når Scout er på polen.

2. Tag Scout med tilbage over ækvatorlinjen til den anden pol. Centrér trådkorset på det andet polikon, og marker denne stilling på samme måde som før.
3. Gå tilbage til stedet, hvor signalstyrken er maksimal. Marker dette punkt på jorden med den gule sekskantmarkør. Bevæg den nederste antennekugle langsomt væk fra den gule markør i alle retninger, mens du holder øje med signalstyrken på displayet. Signalstyrken skal være kraftigst direkte over sonden.
4. Kontroller, at alle tre markører er placeret indbyrdes korrekt, og at den gule sekskantmarkør er ca. halvvejs mellem polmarkørerne.

Se afsnittet *Skråstillede sonder*, hvis den gule markør ikke er i midten.

VIGTIGT Når du står på ækvator, betyder det IKKE, at du står over sonden! Husk, at signalstyrken er den afgørende faktor ved lokalisering af sonden. Du skal stå på stedet, hvor signalstyrken er højest. Brug libellen for størst mulig nøjagtighed. Antennemasten SKAL stå lodret ved markering af polerne og ækvator. Ellers bliver placeringen af disse forkert!

5.5 Måledybde

Scout måler dybden ved at sammenligne signalets styrke ved den nederste antenne i forhold til den øverste antenne.

Dybden måles, når den nederste antenne rører jorden lige over signalkilden.

1. Placer søgeren på jorden direkte over sonden eller kablet for at måle dybden. Kontroller, at vinkelindikatoren viser 5 grader eller derunder. Drej derefter søgeren i pilens retning som vist **nederst til venstre** på displayet, indtil dybden bliver vist.



Libellen er nyttig ved dybdemåling for at sikre, at antennemasten er i lodret stilling.

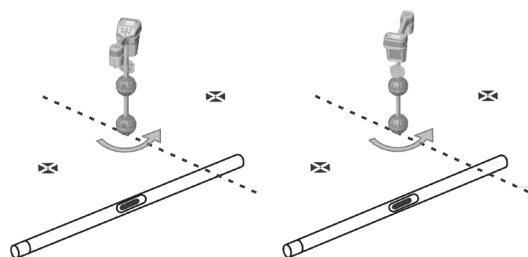
For at maksimere signalet og opnå en mere nøjagtig dybdemåling skal Scout drejes for at rette antennen ind efter signalet.

2. Dybden bliver vist nederst i venstre hjørne.



3. **Funktion for fremtvængelse af dybde** - Hvis vinkelindikatoren angiver mere end 5 grader, viser Scout ingen dybdemåling. Tryk på ned-piltasten og hold den inde. Derved fremtvænges dybdeværdien, hvis dybden kan måles (se afsnittet *Skråstillede sonder* nedenfor).

Ved kontrol af dybden skal der altid foretages en måling. Drej derefter Scout 180 grader, og tag endnu en dybdemåling. Sørg for, at den nederste kugle forbliver i samme stilling på jorden, og at antennemasten er lodret. Hvis dybdemålingerne ikke er inden for ca. 10% af hinanden, er der forvrængning, hvilket betyder, at dybdeaflysningen ikke er pålidelig.



5.6 Tips til betjening ved lokalisering af sonder

- Brug indikationslyden så vidt muligt som en hjælp til at føre Scout frem til den maksimale signalstyrke.
- Hvis du krydser ækvator, og signalet ikke maksimeres, skal du følge ækvator frem til den højeste styrke. Lokalisering af sondens ækvator (den punkterede linje på displayet) betyder IKKE, at du har fundet sonden. Stedet, hvor signalstyrken er maksimal, skal også findes. Hvis sonden er placeret meget skråt, ligger ækvator IKKE direkte over sonden, og afstanden fra sonden til hver pol vil ikke være ens. Hvis sonden er skråstillet, skal du maksimere signalet.
- Bekræft altid stedet, hvor signalstyrken er maksimal. Kontroller det, der bliver vist på kortet, medmindre du ved, at alle de nødvendige betingelser er opfyldt. Kortvisningen forudsætter følgende:

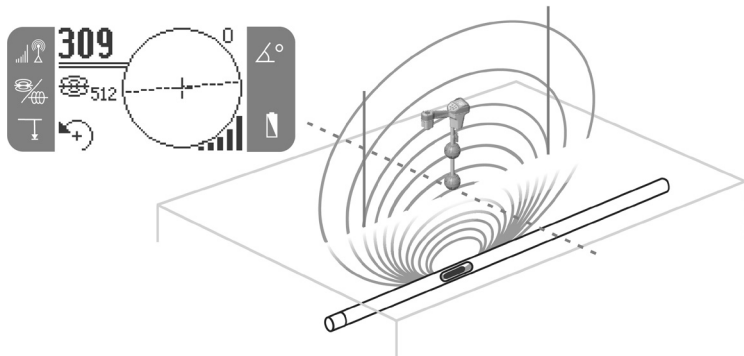
1. Jordoverfladen er plan.
2. Sonden er placeret vandret.
3. Scout-søgeren er over jordniveau.
4. Scout-søgeren holdes omtrent lodret, og antennemasten peger lige nedad.

Hvis disse betingelser ikke er opfyldt, skal du koncentrere dig om at maksimere signalstyrken. Generelt er kortet nyttigt og nøjagtigt, hvis ovenstående er opfyldt, og hvis Scout er inden for 2"dybder" af signalkilden. Vær opmærksom på dette ved brug af kortet, hvis målet eller signalkilden ligger meget overligt. Søgeområdet ved brug af kortet alene kan være lille, hvis sonden ligger ekstremt overligt.

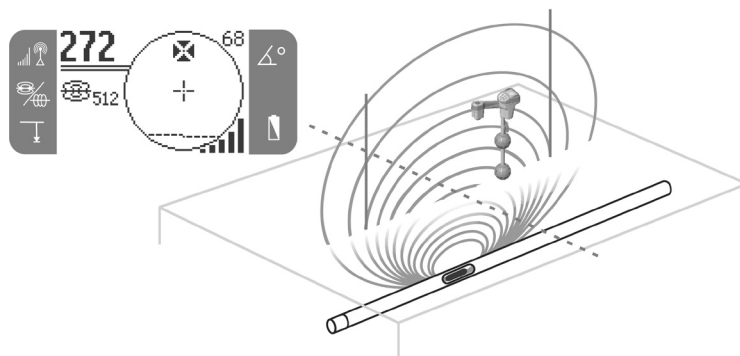
5.7 Skråtstillede sonder

Hvis sonden er skråtstillet, flytter en af polerne tættere på sonden og den anden længere væk, så placeringen af sonden ikke længere er midt i mellem de to poler. Signalstyrken for nærmeste pol bliver meget højere end for polen,

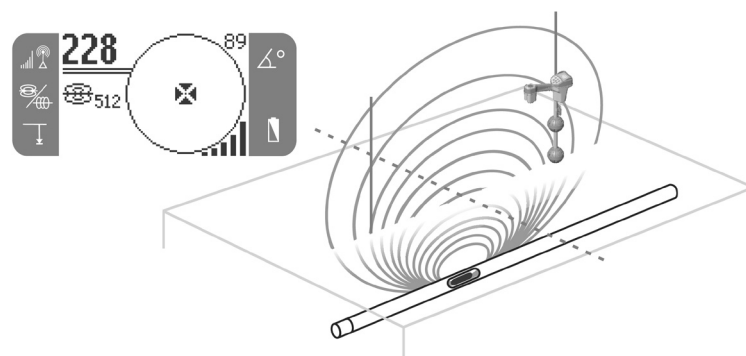
Mikrokort - Eksempler – Sondefunktion



Scout på ækvator



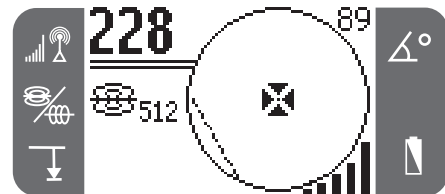
Scout forlader ækvator og nærmer sig polen



Scout på polen

der er længere væk. I ekstreme tilfælde, hvor sonden vender lodret, flytter den ene pol til et punkt direkte over sonden, og denne pol svarer samtidigt til punktet for den maksimale signalstyrke. Den anden pol bliver ikke vist. Så selvom sonden vender lodret - hvilket kan ske, hvis den falder ned i et brud på røret eller i en nedgravet tank - kan den alligevel lokaliseres.

På displayet ses en pol med maksimal signalstyrke, når sonden vender lodret.



Flervejsantennerne giver mulighed for at måle dybden, selvom sonden vender skråt. I sådanne tilfælde skal funktionen for fremtvingelse af dybde bruges for at foretage en dybdemåling (se Måledybde).

6. Sporing af kabel med Scout

Scout kan også bruges til at lokalisere et rør eller et kabel, så jorden ovenover kan afmærkes. Derved identificeres kablets placering, så man undgår det ved gravning, eller hvis det er fritlagt med henblik på reparation eller udskiftning. Scout kan lokalisere strømførende kabler ved hjælp af en række forskellige frekvenser, eller den kan bruges passivt til at søge efter lange signalbærende ledere.

Nedgravede kabler tilføres strøm via en kabelsender. Det aktive signal spores derefter med en modtager, såsom Scout.

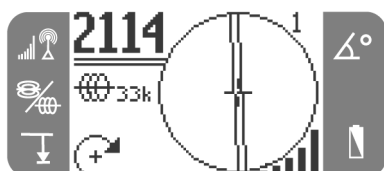
1. Fastgør kabelsenderen til kablet som anvist af producenten.

En "sender" er en fællesbetegnelse for alle anordninger, der frembringer et lokaliserbart signal. Den anvendes til at beskrive en sonde samt den anordning, der anvendes til at tilføre strøm i et kabel eller et rør.

2. Indstil frekvensen, der bruges på senderen, så den svarer til frekvensen på Scout. Kontroller, at frekvensen er angivet med et kabelikon ~. Tryk på knappen for hovedmenu for at gå tilbage til lokaliseringsdisplayet.



3. Når lokaliseringen igangsættes, anbefales det først at holde øje med signalstyrken for at se, om det falder, når Scout føres væk. Peg antennemasten mod ledningerne eller selve senderen, hvis du bruger den induktive funktion. Over kablet skal værdien toppe og falde til begge sider. Hvis signalstyrken og linjerne på displayet IKKE stemmer overens, kan signalet være forvrænget.
4. Ved søgning bliver rør- eller kabelføringen vist på displayet som to fuldt optrukne linker. Når linjerne holdes på midten, indikerer det, at Scout sporer det nedgravede kabel. Hvis kablet drejer fra til venstre eller højre, skal du bevæge dig i samme retning med Scout, så kablet er midt på displayet igen. Signalet, der afgives fra et kabel, er kraftigst direkte over kablet. Hvis ikke, skyldes det, at der er forvrængning.



BEMÆRK Når der bruges en kabelsporingfrekvens, er der 2 linjer på displayet. Ved brug af en sondefrekvens er ækvator en enkelt linje.

PAS PÅ Vær opmærksom på signalinterferens, som kan give uønsket aflæsninger. Der bør tages dybdemålinger til vurdering, og faktiske dybder bør kontrolleres ved at fritlægge kablet før gravning.

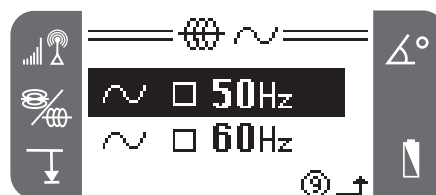
5. Når lokaliseringen igangsættes, anbefales det først at holde øje med signalstyrken for at se, om det falder, når Scout føres væk. Peg antennemasten mod ledningerne eller selve senderen, hvis du bruger den induktive funktion. Over kablet skal værdien toppe og falde til

begge sider. Hvis signalstyrken og linjerne på displayet IKKE stemmer overens, kan signalet være forvrænget.

6.1 Lokalisering af vekselstrømskabler med passiv funktion

Når den passive funktion er aktiveret, registrerer Scout vekselstrøm, eller AC-felter. Nedgravede strømkabler afgiver typisk ikke et sporbart signal, medmindre kablet er strømførende. Kabler til gadebelysning, der tændes og slukkes, er f.eks. vanskelige at lokalisere passivt.

1. Vælg en frekvens for passiv AC-sporing, som er indikeret med ikonet for sporing af passive kabler ~.
2. Scout har 2 standardfrekvenser for passiv AC-sporing. Disse er 50 Hz og 60 Hz.

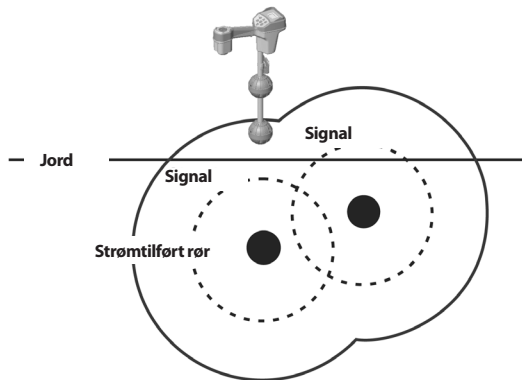


6.2 Tips til betjening ved lokalisering af kabler

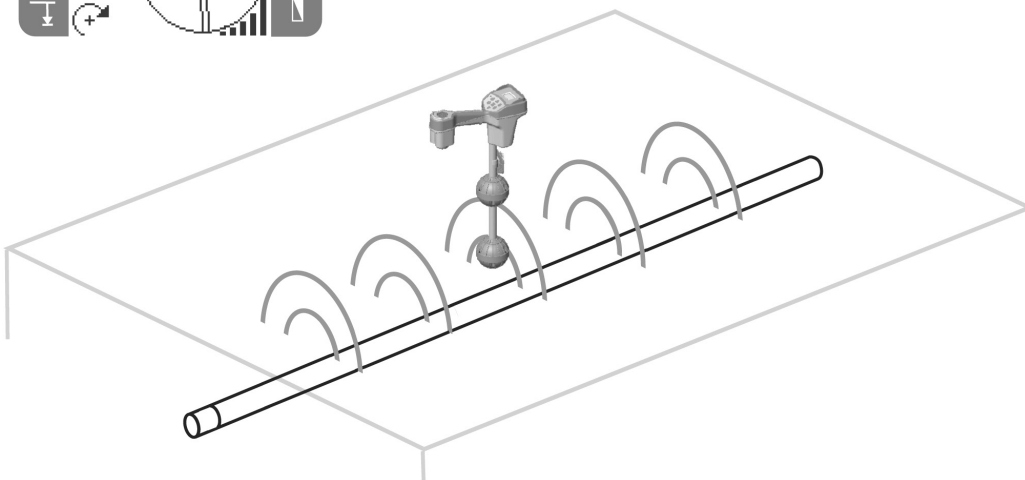
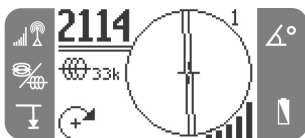
- **Når linjerne ikke er centreret på kortet, men signalstyrken er maksimeret, er der forvrængning!**
 - a. Forsøg at ændre den anvendte frekvens til en lavere frekvens.
 - b. Skift position på jordoverfladen væk fra kablet, der skal spores.
 - c. Kontroller, at kablet ikke er i generel forbindelse med en anden installation.
- Hvis linjerne ikke kan centrerkes, eller hvis de umotiveret flytter sig på tværs på displayet, kan det skyldes, at Scout ikke modtager et klart signal.
 - a. Kontroller senderen for at sikre, at den fungerer og har god jordforbindelse.
 - b. Afprøv kredsløbet ved at pege den nederste antenne mod en af senderens ledninger.
 - c. Kontroller, at Scout-søgeren og senderen arbejder på samme frekvens.
 - d. Prøv forskellige frekvenser startende med den laveste, indtil kablet kan registreres pålideligt.
- Strøm løber bedst fra de mindste til de største kabler (mindst modstand). Et eksempel er søgning efter et rør fra et hus og ud til gaden.
- Under søgningen skal signalet maksimeres, og dybden minimeres, samme sted, hvor linjerne centrerkes på displayet. Hvis dette ikke er tilfældet, kan det skyldes, at installationen omskifter, eller at der er andre koblede signaler.
- Højere frekvenser krydser hinanden mere, men kan være nødvendige at bruge for at overspringe brud på sporingsledningerne eller passere isolerende koblingsled.
- Når senderen bruges induktivt, skal du sørge for at starte lokaliseringen 10-15 m væk for at undgå "luftkobling". Dette kan forekomme, hvor Scout registrerer signalet direkte fra senderen og ikke fra kablet, der skal lokaliseres.

Ved lokalisering forudsætter mikrokortet følgende:

- a. Jordoverfladen er plan.
 - b. Kablet ligger vandret.
 - c. Scout-søgeren er over jordniveau.
 - d. Antennemasten på Scout holdes omtrent lodret.
- Hvis disse betingelser ikke er opfyldt, skal du koncentrere dig om at maksimere signalstyrken. Hvis Scout generelt er inden for 2 "dybder" i forhold til kablet, er kortet nyttigt og nøjagtigt. Vær opmærksom på dette ved brug af kortet, hvis målet eller signalkilden ligger meget overligt. Søgeområdet ved brug af mikrokortet alene kan være lille, hvis kablet ligger ekstremt overligt.



Mikrokort - Eksempel – Kabelsporing



7. Værktøjsmenu

7.1 Ændring af dybdemåleenheder

På Scout kan du ændre enhederne, som søgeren bruger til at måle dybden, i fod eller meter. Du kan ændre indstillingerne blot ved at markere dybdeikonet på værktøjsmenuen og derefter trykke på bekræfttasten for at skifte mellem fod og meter.



7.2 Automatisk baggrundsbelysning

Svag lysstyrke registreres af en lysføler, som er indbygget øverst til venstre

på tastaturet. Baggrundsbelysningen kan tvinges til at tænde ved at spærre for lyset til føleren med en finger.

Den automatiske lcd-baggrundsbelysning er indstillet fra fabrikken til kun at tænde under forholdsvis dårlige lysforhold. Det er for at spare på batteristrømmen. Efterhånden som batterierne bliver brugt, dæmpes baggrundsbelysningen meget svagt for at spare på strømmen.

For at slå baggrundsbelysningen fra skal du markere lyspæreikonet under menuens værktøjssektion og trykke på bekræfttasten for at skifte mellem Auto og OFF.



7.2.1 Lcd-kontrast

Når denne indstilling markeres og vælges, kan lcd-kontrasten justeres med op- og ned-pilene



8. Nyttige oplysninger

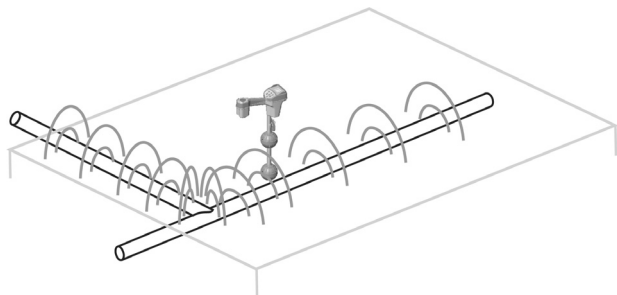
8.1 Signalinterferens

8.1.1 Forvrængede felter

I nogle tilfælde kan et enkelt felt støde på metal eller andre jernholdige materialer i jorden, som kan forvrænge feltlinjerne. Det kan være en anden installation, nedgravet affald eller gamle ubenyttede kabler, som kan kortslutte feltlinjerne. I dette tilfælde kan der blive vist et svagere signal på Scout omkring genstanden og et kraftigere signal direkte over den. Genstanden kan fungere som en linse, der forstærker eller svækker signalet uforudsigeligt.

8.1.2 Sammenhængende felter

Sammenhængende felter kan også forekomme. Hvor ét felt møder et andet, kan de to, eller flere, frembringe et kraftigere signal. Det er vigtigt for brugere at forstå dette ved "Ter" eller vinkler på kablet, hvor sammenhængende felter ofte optræder.



Sammenhængende felt vist omkring en forbindelse på kablet

8.1.3 Støj

Forstyrrende signaler (støj) er ganske enkelt en del af udfordringen ved kabelsøgning. Interferens kan enten være på den samme frekvens, der anvendes, eller det kan være "uden for området" på andre frekvenser. Nogle af de mest forstyrrende signaler frembringes af energioverførselsudstyr. Strømtransformere, store elektromotorer eller generatorer og kabler kan være kilde til meget kraftige støjsignaler. Områder med meget støj bør så vidt muligt undgås.

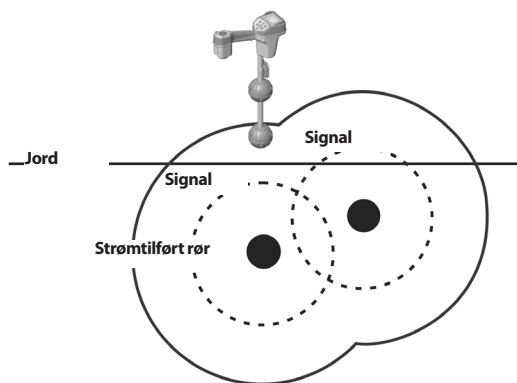
Hvis vinkelvisningen er ustabil, og/eller hvis signalniveauerne ikke er stabile, er dette et godt tegn på, at der enten ikke er et målsignal (sonde eller strømførende kabel), eller der er forstyrrende støj.

8.2 Bemærkninger vedrørende nøjagtighed

Målinger af dybde og signalstyrke afhænger af, at der modtages et kraftigt signal af Scout. Husk, at Scout bruges over jorden til at registrere elektromagnetiske

felter, som udstråles af nedgravede kabler (elektriske ledere såsom ledninger og rør af metal) eller sonder (aktive sendere). Når felterne er simple og uforvrængede, gengives den nedgravede genstand af de registrerede felter. Hvis disse felter forvrænges, og der er flere samvirkende felter, medfører dette, at Scout foretager uøjagtig lokalisering. Lokalisering er ikke en eksakt videnskab. Det kræver, at brugeren bruger sin dømmekraft og holder øje med al tilgængelig information ud over, hvad der står på instrumentets display. Scout giver brugeren mere information, men det er op til brugeren at fortolke informationen korrekt. Ingen producenter af kabelsøgere vil forlange, at en bruger udelukkende skal bruge informationen på deres instrument. Der skal tages bestik af følgende for nøjagtig lokalisering:

- **Når der er andre kabler eller installationer til stede.** "Krydsning" kan resultere i forvrængede felter og utilsigtet fremhæve kabler på displayet. Brug så vidt muligt lavere frekvenser, og fjern alle forbindelser mellem de to kabler.



- **Ved induktiv brug af senderen.** Derved får kablet et svagt signal. Brug så vidt muligt en direkte forbindelse.
- **Når der er T'er eller opsplittninger på kablet.** Kan give forvrængninger i signalet.
- **Når signalstyrken er lav.** Der kræves et kraftigt signal til nøjagtig lokalisering.
- **Når jordbundsforholdene varierer.** Ekstreme fugtighedsforskelle, enten for tørt eller mættet, kan påvirke målingerne. Eksempelvis vil jord, der er mættet med saltvand (f.eks. ved kyster), skærme kraftigt af for signalet, som kan være vanskeligt at lokalisere.

9. Transport og opbevaring

Før transport skal du slukke for søgeren for at spare på batteristrømmen. Under transport skal du sørge for, at søgeren er forsvarligt fastgjort og ikke triller omkring eller bliver ramt af ikke-fastgjort udstyr. Scout bør opbevares på et tørt, køligt sted.

Hvis Scout skal opbevares i længere tid, skal batterierne tages ud.

10. Montering/brug af tilbehør

Til Scout medfølger desuden markører, som kan bruges til at markere pol- eller sondeplaceringer på jordoverfladen. Der er 2 røde markører til at markere polerne og 1 gul markør til at markere sonden.

Kontakt RIDGID-forhandleren, hvis der er behov for yderligere hjælp.

11. Vedligeholdelse og rengøring

⚠ ADVARSEL

1. Rengør Scout med en fugtig klud og et mildt vaskemiddel. Søgeren må ikke lægges i vand.
2. Brug ikke skrabende redskaber eller slibemidler til rengøringen, da disse kan ridse displayet permanent. BRUG ALDRIG OPLØSNINGSMIDLER til rengøring af systemet. Midler såsom acetone eller andre skrappe kemikalier kan medføre, at huset revner.

14. Vejledning til fejlfinding

PROBLEM	SANDSYNLIG PLACERING AF FEJL
Scout låser ved brug.	Sluk for søgeren, og tænd for den igen. Tag batterierne ud, hvis der ikke kan slukkes for søgeren.
Under sporing "springer" der linjer over hele displayet på mikrokortet.	Dette indikerer, at Scout ikke modtager signalet, eller at der er interferens.
	Sørg for, at senderen er tilsluttet korrekt og har jordforbindelse. Peg Scout mod en af ledningerne for at kontrollere, at kredsløbet er sluttet.
	Prøv med en højere frekvens.
Ved lokalisering af en sonde "springer" linjerne over hele displayet.	Forsøg at finde kilden til eventuel støj, og fjern denne.
	Kontroller batterierne i sonden for at se, om de fungerer.
Afstand mellem sonde og en pol stemmer ikke overens.	Kontroller signalet ved at placere den nederste antenne tæt på sonden. Bemærk – Sonder har vanskeligt ved at sende signaler gennem kabler af støbejern og sejjern.
	Sonden kan være skrånstillet, eller der kan være en overgang mellem støbejern og plast.
Søgeren fungerer uregelmæssigt, kan ikke slukkes.	Batteristrømmen er muligvis svag. Udskift batterierne, og tænd for søgeren.
Displayet er helt sort eller helt lyst, når der tændes for søgeren.	Forsøg at slukke for søgeren, og tænd for den igen.
	Indstil kontrasten på lcd-displayet.
Der er ingen lyd.	Indstil lydstyrken på lydstyrkemenuen.
Scout registrerer ikke signalet.	Kontroller, at den korrekte funktion og frekvens er indstillet.
Der kan ikke tændes for Scout.	Kontroller, at batterierne vender rigtigt. Kontroller, at der er strøm på batterierne. Kontroller, at batterikontakterne fungerer korrekt. Der kan være sprunget en sikring på søgeren (skal repareres hos forhandler).

12. Lokalisering af defekte komponenter

Se vejledningen til fejlfinding bagest i denne håndbog for forslag til fejlfhjælpning. Kontakt om nødvendigt Ridge Tool eller forhandleren for yderligere information og assistance.

13. Eftersyn og reparation

⚠ ADVARSEL

Udstyret bør indleveres hos en autoriseret RIDGID-forhandler.

15. Specifikationer

Vægt m/batterier.....	1,4 kg
Vægt u/batterier.....	1 kg
Dimensioner:	
Længde.....	28,5 cm
Bredde.....	11,0 cm
Højde.....	56,0 cm
Strømkilde:	
4 stk. C-batterier, 1,5 V alkaliske batterier (ANSI/NEDA 14A, IEC LR14) eller 1,2 V genopladelige NiMH- eller NiCad-batterier	
Nominel effekt: 6 V, 550 mA	
Driftsomgivelser:	
Temperatur.....	20 til 50°C
Luftfugtighed	5 til 95% RL
Opbevaringstemperatur.....	-20 til 60°C
Standardfrekvenser:	
Sonde.....	512 Hz, 640 Hz, 874 Hz, 33 kHz
Aktivsporing af kabler	512 Hz, 8 kHz, 33 kHz
Passivsporing af kabler	60 Hz, 50 Hz

Standardindstillinger

Standardindstillinger for søgeren:
 Dybdemåleenheder = Meter og centimeter
 Lydstyrke = 1 (ét trin over afbrudt lyd)
 Baggrundsbelysning = Auto

Standardudstyr

- Scout-søger
- Markører og antennemastholder
- 2 Brugerhåndbog: USA + Europa
- 4 stk. C-batterier (alkaliske)
- Video PAL

Ekstraudstyr

- Yderligere pol-/sondemarkører
- NaviTrack-sender
- Induktiv klemme
- Batterisonde
- Svømmer

16. Ikonforklaring

DISPLAYIKONER

- Sondefrekvens
- Frekvens for aktiv sporing
- Frekvens for passiv (AC) sporing
- Lydstyrke
- Batteriniveau
- Dybde
- Indikator for vandret vinkel
- Signalstyrke
- Værktøjsmenu
- Lcd-kontras
- Lcd-baggrundsbelysning
- ### TASTATURIKONER
- Menunavigation
- Nulstilling af lydtone/valg af menupunkter
- Menunavigation/fremtvunget dybde (tryk 3 sek.)
- Tænd/sluk-tast
- Menutast
- Funktionstast for sonde/søgning/frekvens
- Lydstyrketast

FI

NaviTrack Scout Käyttöohjeet

Alkuperäisten ohjeiden käännös.



**TURVALLISUUTEEN LIITTYVIÄ YLEISTIETOJA
VAROITUS! Lue ja sisästä kaikki ohjeet. Seuraavassa
lueteltujen ohjeiden laiminlyönti saattaa aiheuttaa
sähköiskun, tulipalon ja/tai vakavan henkilövahingon.**

**LUE OHEISET TURVAOHJEET.
SÄILYTÄ NÄMÄ OHJEET!**

EY-vaatimustenmukaisuusvakuutus (890-011-320.10) toimitetaan pyydettyessä käyttöohjeen mukana erillisenä vihkosena.

Paristoja koskevat varoimet:

- **Käytä vain määritettyä paristokokoa ja -tyyppiä. Älä käytä sekaisin eri paristotyyppiä (esim. alkaliparistoja ladattavien paristojen kanssa.** Älä käytä yhdessä osittain ladattuja ja täysin ladattuja paristoja (esim. uusia ja vanhoja).
- **Lataa paristot paristojen valmistajan määrittämällä latauslaitteella.** Väärän laturin käyttö saattaa aiheuttaa pariston ylikuumentumisen ja halkeamisen.
- **Hävitä paristot oikein.** Korkeille lämpötiloille altistuminen saattaa aiheuttaa paristojen räjähtämisen, joten paristoja ei saa hävittää polttamalla. Joissakin maissa on paristojen hävittämistä koskevia määräyksiä. Noudata kaikkia asiaa koskevia määräyksiä.

1. Scoutin käyttö ja hoito

- **Käytä laitteita vain ohjeiden mukaisesti.** Älä käytä Scoutia, ellet ole saanut asianmukaista koulutusta ja luenut käyttöoppaan.
- **Älä upota antenneja veteen.** Säilytä kuivassa paikassa. Näillä varoimilla voidaan pienentää sähköiskujen ja laitevaurioiden riskiä.
- **Tarkasta, ettei laitteessa ole rikkoutuneita osia tai muita vikoja, jotka voivat vaikuttaa Scoutin käyttöön.** Jos vaurioita on, huollata laite ennen käyttöä. Monet onnettomuudet johtuvat huonosti huolletuista välineistä.
- **Käytä vain lisävarusteita, joita valmistaja suosittelee käytettäväksi Scoutin kanssa.** Tietyille laitteelle sopivat lisävarusteet saattavat olla vaarallisia, jos niitä käytetään jossain muussa laitteessa.
- **Pidä kahvat kuivina ja puhtaina. Pyyhi öljy ja rasva. Näin laitteen hallittavuus paranee.**
- **Suojaa laite liian korkeilta lämpötiloilta.** Laite tulee sijoittaa etäälle lämmönlähteistä, kuten lämpöpattereista, lämpötiloilta, liesistä tai muista lämpöä tuottavista laitteista (kuten vahvistimista).

1.1 Huolto

- **Vain pätevät huoltohenkilöt saavat huoltaa diagnostiikkalaitteen.** Epäpätevien huoltohenkilöiden tekemistä huolto- ja korjaustoimia voi olla seurauksena loukkaantuminen.
- **Puhdista kunnolla.** Irrota paristo ennen puhdistusta. Älä käytä

nestemäisiä puhdistusaineita tai aerosoleja. Käytä puhdistukseen kosteaa liinaa.

- **Teetä turvatarkastus.** Pyydä kaikkien huolto- ja korjaustöiden jälkeen huoltoteknikkoa tekemään turvatarkastukset, joilla määritetään, onko laite hyvässä toimintakunnossa.
- **Huoltoa vaativat laitevauriot.** Irrota akut ja anna laite pätevän huoltohenkilökunnan huollettavaksi seuraavissa tapauksissa:
 - Jos laitteeseen on roiskunut nestettä tai tippunut esineitä.
 - Jos laite ei toimi normaalisti, kun käyttöohjeita noudatetaan.
 - Jos laite on tippunut tai jos se on jollain tavalla vaurioitunut.
 - Jos laitteen suorituskyky muuttuu huomattavasti.

Ilmoita kaikissa yhteydenotoissa kaikki työkalun nimikilvessä näkyvät tiedot, mukaan lukien malli- ja sarjanumerot.

1.2 Tärkeä huomautus

Scout on diagnostiikkaväline, joka havaitsee maan alla olevien esineiden lähettämiä sähkömagneettisia kenttiä. Se on tarkoitettu helpottamaan näiden esineiden paikantamista siten, että se tunnistaa kenttäviivojen ominaispiirteet ja esittää ne näytössä. Koska sähkömagneettisissa kenttäviivoissa saattaa esiintyä häiriöitä, on tärkeää varmistaa maanalaisten esineiden sijainti ennen kaivamista.

Samalla alueella saattaa olla useita maanalaisia johtoja, putkia tai kaapeleita. Noudata paikallisia ohjeita.

Esineen esiin kaivaminen on ainoa tapa todentaa sen olemassaolo, sijainti ja syvyys.

Ridge Tool Co., sen kumppanit ja toimittajat eivät ole millään tavoin vastuussa mistään tapaturmista tai suorista, epäsuorista, satunnaisista tai välillisistä vahingoista, jotka aiheutuvat Scoutin käytöstä. Samalla alueella saattaa olla useita maanalaisia johtoja, putkia tai kaapeleita. Noudata paikallisia ohjeita.

2. Scoutin esittely

Scout™-anturi ja -johtopaikannin käyttävät monisuunta-antenneja ja edistyksestä käsitellyn menetelmää, joiden avulla anturien paikantaminen ja maanalaisten johtojen ja kaapeleiden jäljittäminen on nopeaa, tarkkaa ja helppoa.

2.1 Ainutlaatuiset ominaisuudet

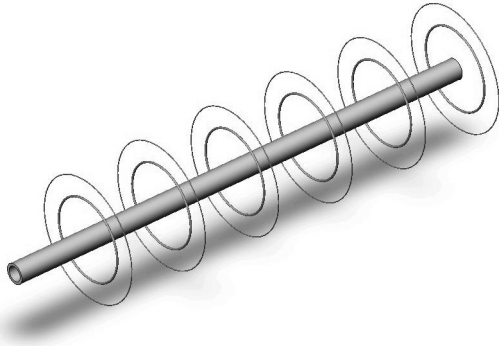
Scoutin edistyksestä käsitellyn tekniikka tarjoaa useita ainutlaatuisia ominaisuuksia perinteisiin paikantimiin verrattuna:

- Monisuuntainen antennijärjestelmä.
- Mikrokarttanäkymä.
- Osoittaa selkeät signaalin ominaisuudet.

2.2 Mitä se tekee?

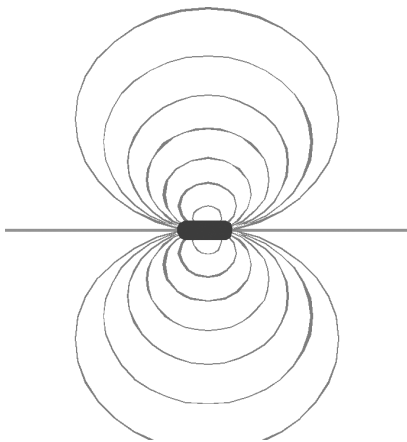
Scoutia käytetään maanpinnan yläpuolella havaitsemaan sähkömagneettisia kenttiä, joita lähettävät maan alla tai piilossa olevat johdot (metallilankojen ja -putkien kaltaiset sähköjohtimet) tai anturit (aktiivisesti lähettävät lähettimet). Jos kentät ovat yksinkertaisia ja vääristymättömiä, havaitut kentät antavat hyvän kuvan maassa olevasta esineestä. Scout paikantaa johtavia esineitä, jotka lähettävät kentän. Se ei havaitse maan alla olevia esineitä suoraan.

Maassa olevien esineiden lähettämiä sähkökenttiä on kahta tyyppiä. Ensimmäistä tyyppiä lähettävät pitkät johtimet, kuten jännitteiset johdot, tarkastuskameroiden työntökaapelit tai putket. Nämä esineet tuottavat pitkän lieriömäisen kentän, ja tätä kutsutaan usein ”johdon” jäljitykseksi.



Varatun johdon lähettämä kenttä.

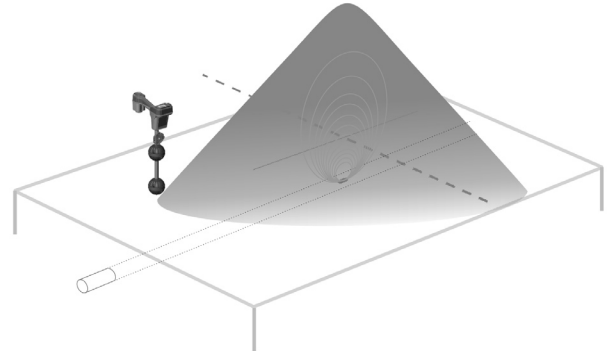
(Passiivinen vaihtovirtajohdon jäljitys on vain erikoistapaus, jossa johto on sähkövirran ”jännitteistämä”.)
 Toisessa tyyppissä anturit (eli lähettimet, ilmaisimet tai sondit) lähettävät erimuotoisen kentän, ja Scout on ohjelmoitu mittaamaan ja näyttämään tämäntyyppinen kenttä. Anturin monimutkaisempaa kentän muotoa kutsutaan dipolikentäksi, joka on sama kuin sauvamagneetin ja Maan kenttä.



Anturin lähettämä dipolikenttä.

Sähkömagneettisilla kentillä on kolme tärkeää ominaisuutta: taajuus, voimakkuus ja kulma (suunta). Toisin kuin perinteiset paikantimet, jotka voivat mitata vain voimakkuuden yksittäisen antennin tai yksittäisten antennien suunnassa, Scout mittaa sekä signaalin voimakkuuden että kentän kulmat kolmiulotteisina (3D). Tämä lisäominaisuus mahdollistaa kartoitusnäytön. Kokenut käyttäjä voi näiden lisätietojen avulla nopeuttaa paikantamista ja ratkaista monimutkaisia paikantamistilanteita. Toisaalta satunnainen tai aloitteleva käyttäjä voi paikantaa helposti pelkästään signaalin voimakkuuden avulla.

Scoutin ensimmäinen paikantamissääntö: luvun on oltava iso! –
 Signaalin voimakkuuden maksimointi on keskeinen ja ensisijainen paikantamismenetelmä.



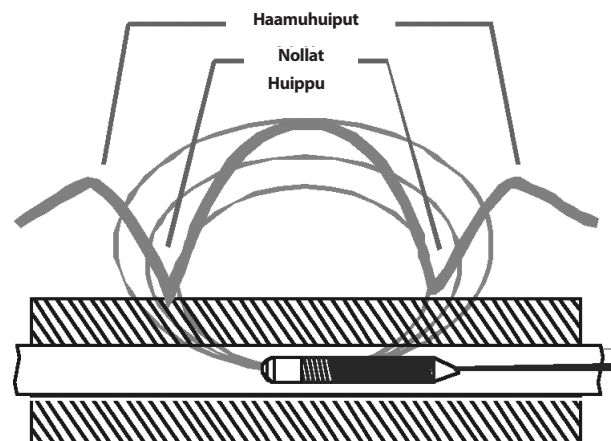
Esimerkki siitä, kuinka Scout on voimakkaimmillaan anturin päällä.

Niin johdon jäljityksessä kuin anturin paikantamisessakin voimakkain signaali saadaan kohteen päällä. Syvyys näkyy kohteen päällä oltaessa.

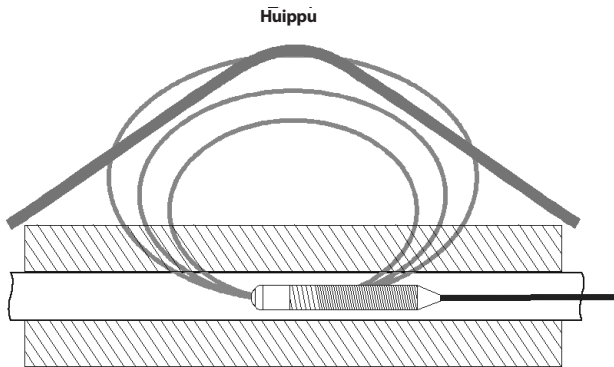
2.3 Mitä hyötyä on Scoutin monisuuntaisuudesta?

Koko signaalin tarkastelulla monisuuntaisilla antenneilla on selkeät edut:

1. Signaali vahvistuu aina käyttäjän lähetessä kohdetta.
2. Ei nollia tai ”haamuhuippuja”. Perinteisten paikantimien signaalissa on huippu, sitten nolla ja sitten pienempi huippu. Tämä voi hämmentää käyttäjää, etenkin jos hän tulkitsee pienemmän huipun kohteeksi (”haamuhuipuksi”). Scout näkee vain yhden huipun, jolla käyttäjä ohjataan kohteen luokse.



Anturin signaali perinteisen paikantimen ”näkemänä”. Päähuippu keskellä ja kaksi haamuhuippua kahden nollan ulkopuolella.



Anturin signaali Scoutin "näkemänä". Vain yksi huippu, ei nollia.

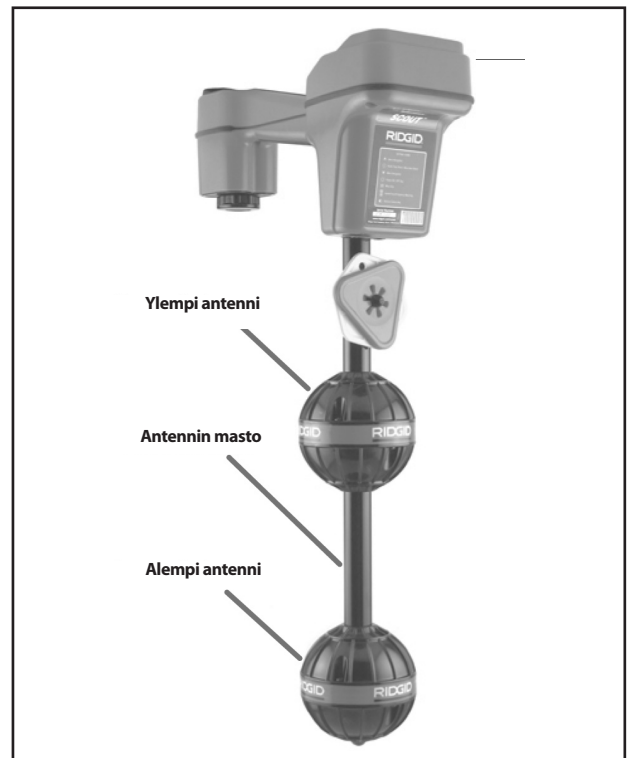
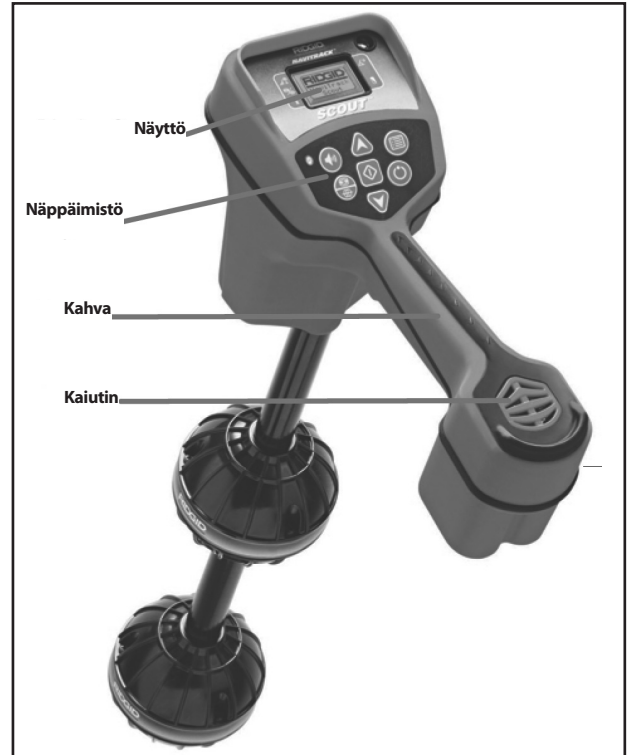
3. Laitteen pitotapa ei vaikuta signaalin voimakkuuteen. Käyttäjä voi lähestyä mistä suunnasta tahansa, eikä hänen tarvitse tietää putken tai metallilangan sijaintia.
4. "Vaikeiden" sijaintien tunnistamisessa ja ratkaisemisessa voidaan käyttää apuna esimerkiksi graafista mikrokarttaa ja kulmanilmaisinta, jolloin signaalin ominaisuuksia on helpompi tulkita.

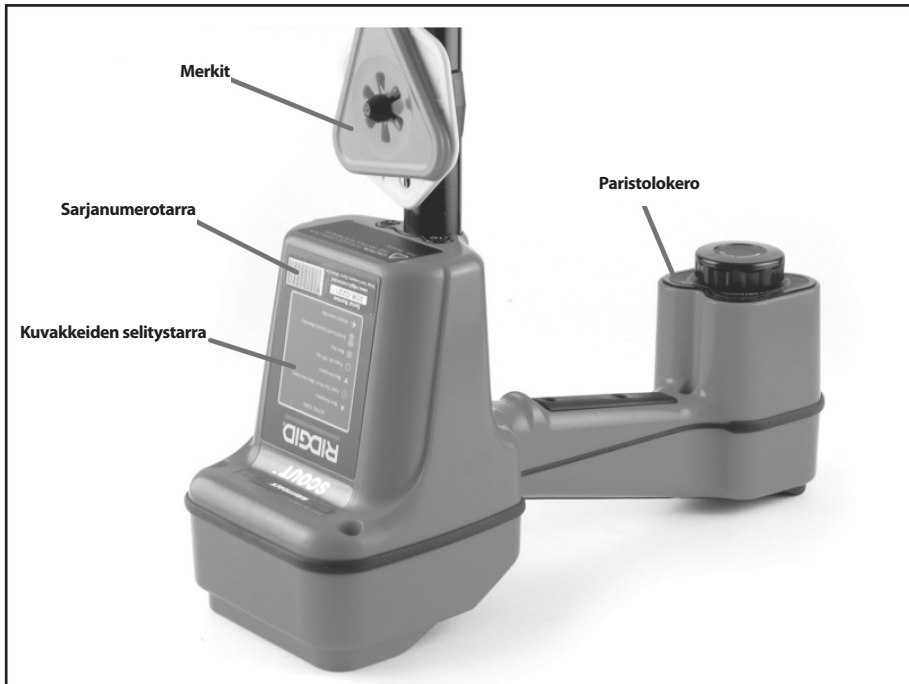
2.4 Mitä hyötyä on mikrokartasta?

Kartta näyttää grafiikan, jossa näkyvät signaalin ominaisuudet. Se on lintuperspektiivinäkymä maanalaista signaalista, joka näkyy näytössä graafisesti. Sitä käytetään oppaana maanalaisten johtojen jäljittämässä, ja sen avulla on helpompi paikantaa antureita. Sen avulla voidaan myös saada lisätietoja monimutkaisista sijainneista.

Kun paikanninta liikutetaan maanpinnan päällä, Scout välittää maan alla olevien esineiden lähettämät signaalit. Siten käyttäjä voi nähdä näytössä signaalin visualisoinnit ja sitten merkitä ne. Perinteiset paikantimet eivät voi kartoittaa maanalaista signaalia, sillä niiden antennit eivät näe sen koko muotoa.

3. Scoutin osat

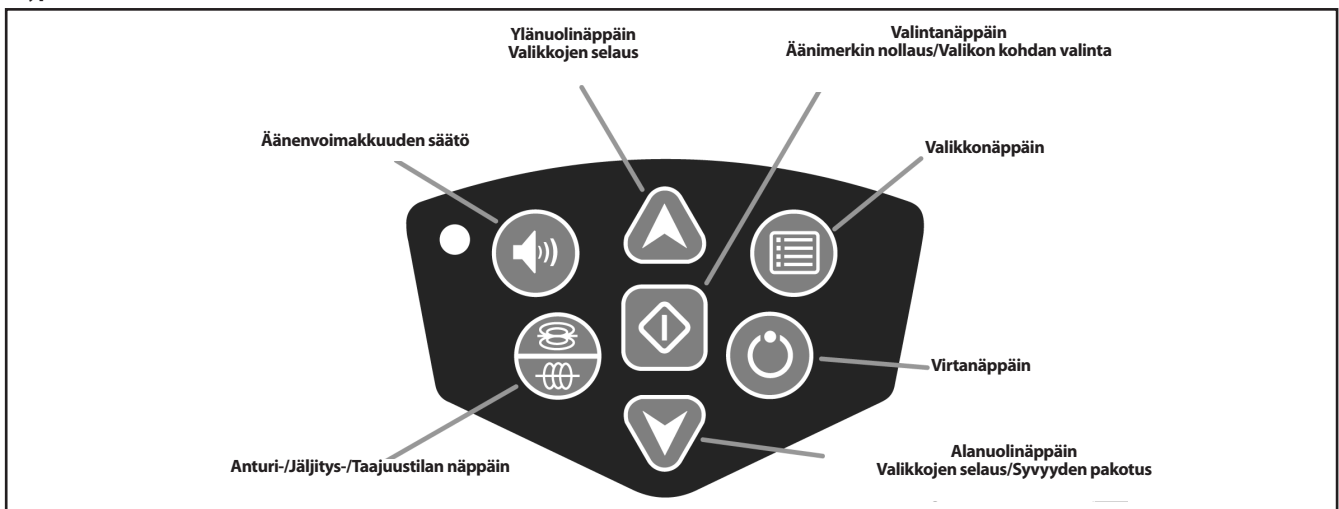




Näyttö



Keypad

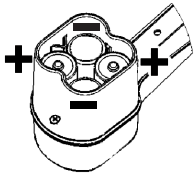


- Äänvoimakkuuden säätö** – avaa ja sulkee äänvoimakkuusvalikon.
- Anturi-/Jäljitys-/Taajuustilan näppäin** – kytkee aktiiviset taajuudet ja toiminnot.
- Ylänuolinäppäin** – selaa valikon vaihtoehtoja ylöspäin.
- Valintanäppäin** – valitsee korostetun valinnan avoimesta valikosta.
- Alanuolinäppäin** – selaa valikon vaihtoehtoja alaspäin.
- Valikkonäppäin** – avaa/sulkee valikon.
- Virtanäppäin** –kytkee ja katkaisee Scoutin virran.

4. Käytön aloitus

4.1 Akkujen asennus/vaihto

Käännä ennen paristojen asennusta Scout ylösalaisin, jotta pääset käsiksi paristolokeroon. Käännä paristolokeron kannessa olevaa nuppia vastapäivään. Irrota luukku vetämällä nupista suoraan ylöspäin. Asenna paristot sisällä olevan tarran mukaisesti ja varmista, että ne asettuvat täysin paikoilleen. Asenna luukku koteloon ja käännä nuppia myötäpäivään. Paina samalla luukkuja ja sulje se. Paristolokeron kannen voi asentaa kummin päin tahansa.



Kun Scoutiin kytetään virta, paristojen tarkastamiseen menee pari sekuntia. Siihen asti paristojen latauksen tasona näkyy "tyhjä".

VAROITUS

Älä päästä roskia paristolokeroon. Paristolokeroon päässyt lika saattaa aiheuttaa oikosulun paristojen koskettimissa. Tällöin paristot tyhjenevät nopeasti, mistä voi olla seurauksena elektrolyyttivuoto tai palovaara.

4.2 Käyttöaika


Scout-paikantimen tyypillinen käyttöaika alkaliparistoja käytettäessä on noin 12–24 tuntia. Aikaan vaikuttavat esimerkiksi äänvoimakkuus ja se, miten usein taustavaloa käytetään. Käyttöaikaan vaikuttaa myös mm. pariston koostumus (monet uusista suuritehoisista paristoista, kuten "Duracell® ULTRA", kestävät 10–20% pitempään kuin perinteiset alkaliparistot vaativissa käyttötarkoituksissa). Myös käyttö alhaisissa lämpötiloissa lyhentää paristojen käyttöikää.

Paristojen säästämiseksi Scout sammuu automaattisesti tunnin kuluttua, jos näppäimiä ei paineta. Käyttöä voidaan jatkaa kytkemällä laitteeseen virta.

4.3 Virran kytkeminen ja sammutus

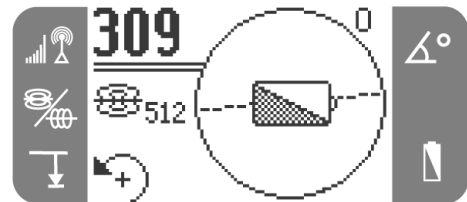
Virta kytetään painamalla näppäimistön virtanäppäintä . Näyttöön tulee RIDGID®-logo. Ohjelmistoversion numero näkyy oikeassa alakulmassa.



Virta sammutetaan painamalla näppäimistön virtanäppäintä  ja vapauttamalla se. Laitteen virran kytkemisessä ja sammuttamisessa kuluu muutaman sekunnin viive.

4.4 Pariston alhaisen tehon varoitus

Kun pariston teho vähenee, näytön kartta-alueeseen ilmestyy paristokuvake. Se on merkinä siitä, että paristot on vaihdettava ja että laite sammuu pian.



Juuri ennen lopullista sammumista näytössä näkyy sammutusanimaatio, jota ei voi keskeyttää.

Joissakin tapauksissa ladattavien paristojen jännite laskee niin äkkiä, että laite vain sammuu. Laite sammuu ja käynnistyy uudestaan. Vaihda paristot ja kytke laitteeseen uudestaan virta.

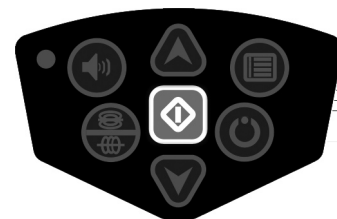
5. Määrittelyt

Kun Scout on käynnistetty, on määrittettävä tarvittavat taajuudet, jotka vastaavat paikannettavia laitteita. Ne otetaan käyttöön valitsemalla valikossa olevasta luettelosta.

1. Paina valikkonäppäintä, korosta valinta ja ota valinta käyttöön painamalla valintanäppäintä:



2. Korosta ylä- ja alanuolia käyttäen taajuus, joka vastaa anturissa tai johtolähtimessä käytettyä taajuutta, ja merkitse sitten valintaruutu valintanäppäimellä. Katso kohta Valikkojen vaihtoehdot. Palaa päänäyttöön painamalla valikkonäppäintä.





VAROITUS

Varmista, että valittu taajuus vastaa haluttua käyttöä. 512 ja 33 ovat valittavina anturin JA johdon paikannuksen taajuuksina. Jos anturitaajuutta käytetään johdon jäljitykseen tai toisin päin, Scout saattaa näyttää väärät syvyytiedot.

3. Paina anturi-/jäljitys-/taajuustilan näppäintä ja selaa läpi käyttöön otetut taajuudet ja tilat. Huomioi näytössä näkyvät kuvakkeet. Niistä näkyy, missä käyttötilassa Scout on.



4. Jos syvyyttä, automaattista taustavaloa tai LCD:n kontrastia on säädettävä, korosta kyseinen valinta valikon työkaluosiossa ja tee muutokset valintanäppäimellä.



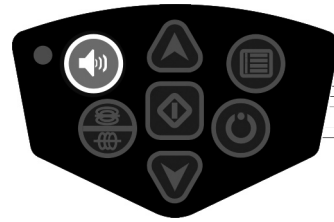
5.1 Valikkojen vaihtoehdot

Anturitilan taajuudet		512 Hz 640 Hz 874 Hz 33 Hz
Johdonjäljitystilan taajuudet		50 Hz (passiivinen) 60 Hz (passiivinen) 512 Hz 8 kHz 33 kHz
Työkalu-valikko		Jalkaa/metriä Automaattinen taustavalo Nestekidenäytön kontrasti

5.2 Scoutin äänet

Ääni vastaa suurenevaa tai pienenevää signaalin voimakkuutta. Kun signaali voimistuu, äänen korkeus ja voimakkuus nousevat, ja kun signaali heikkenee, korkeus ja voimakkuus laskevat. Kun signaali voimistuu, äänen korkeus ja voimakkuus nousevat askeliittain, jolloin käyttäjän on helpompi löytää voimakkain signaali. Jos signaalin voimakkuus putoaa, ääni palautuu perusvärinään ikään kuin signaalia ei olisi havaittavissa.

Scoutissa on automaattinen vahvistus. Kun vahvistus nousee tai laskee askeleen, ääni asetuu korkeammalle tai alhaisemmalle voimakkuudelle. Äänenvoimakkuutta säädetään painamalla ääninäppäintä.



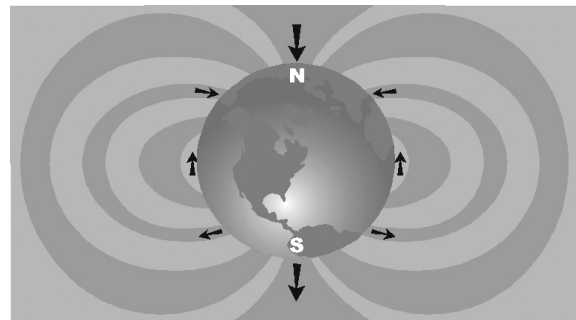
Äänenvoimakkuus muuttuu jokaisella ääninäppäimen painalluksella. Äänenvoimakkuutta voidaan säätää myös ylä- ja alanuolinäppäimillä. Tästä näytöstä voidaan poistua painamalla valintanäppäintä.



HUOM Jos valintanäppäintä painetaan normaalikäytön aikana, äänen korkeus asetuu keskitasolle.

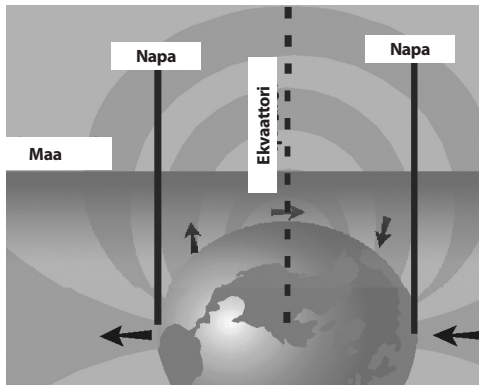
5.3 Yleistä - Anturien ja Scoutin ymmärtäminen

Anturit (eli lähettimet, ilmaisimet tai sondit) lähettävät sähkökentän, joka on hyvin samankaltainen kuin Maan lähettämä magneettikenttä.



Jos Maa käännettäisiin kyljelleen, sen magneettikenttä muistuttaisi paljon anturin lähettämää kenttää.

Scout on paikannin, joka pystyy mittaamaan anturista lähtevien kenttäviivojen muodon (kulman) ja tunnistamaan näiden viivojen erityispiirteet. Kolme tärkeää piirrettä ovat kaksi **NAPAA** ja **EKVAATTORI**. Navoilla signaalin kulma on 90 astetta (pystysuora). Ekvaattorilla kulma on 0 astetta (vaakasuora). Navat ovat tarkkoja pisteitä avaruudessa, kun taas ekvaattori kulkee täysin anturin ympäri. Koska nämä erityispiirteet ovat vakioita, niiden avulla anturin sijainti voidaan paikantaa tarkasti.



Navat esiintyvät yleensä kohdissa, joissa perinteiset paikantimet havaitsisivat "nollia", eli kuolleita kohtia, jotka ilmenevät, kun signaali kulkee niiden antennien lävitse pystysuoraan. Erona on se, että Scout "näkee" navat ("nollat") ja näyttää niiden sijainnin, **vaikka käyttäjä ei olisi suoraan niiden päällä ja riippumatta siitä, missä kulmassa Scoutin antennit ovat signaaliin nähden.**

Tästä syystä Scoutilla paikantaminen on paljon helpompaa kuin perinteisillä paikantimilla.

Anturi sijaitsee kohdassa, jossa ekvaattori kulkee suoraan kahden navan välistä.

5.4 Anturin paikantaminen

Scoutin avulla anturin (lähettimen) signaali voidaan paikantaa putkessa, jolloin sen sijainti voidaan tunnistaa maan päällä. Antureita voidaan sijoittaa putken ongelmakohtiin kameran työntökoukua tai kaapelia käyttäen. Ne voidaan myös huuhdella putkea pitkin.

Seuraavassa oletetaan, että anturi on vaakasuorassa putkessa, maa on suunnilleen tasainen ja Scoutia pidetään antennimasto pystysuorassa.

TÄRKEÄÄ Signaalin voimakkuus on keskeinen tekijä anturin sijaintia määrittäessä. Tarkan sijainnin saavuttamiseksi signaalin voimakkuus ON MAKSIMOITAVA ennen kaivualueen merkitsemistä

5.4.1 Anturia paikannettaessa paikannus on määritettävä seuraavasti:

- **Ennen** kuin anturi asetetaan johtoon, on käytettävä Scoutia ja varmistettava, että se toimii ja vastaanottaa anturin signaalin.
- Kun anturi on paikallaan ja se lähettää, anturi on aktivoitava ja asetettava samalla taajuudelle kuin Scoutin anturi. Varmista, että anturitilan kuvake näkyy.

VAROITUS

Varmista, että valittu taajuus vastaa haluttua käyttöä. 512 ja 33 ovat valittavina anturin JA johdon paikannuksen taajuuksina. Jos anturitaajuutta käytetään johdon jäljitykseen tai toisin päin, Scout saattaa näyttää väärät syvyytiedot.

- Siirry anturin oletettuun sijaintipaikkaan. Jos putken suunta ei ole tiedossa, työnnä anturia lyhyempi matka putken sisään (n. 5 m aukosta on hyvä aloituskohta).

5.4.2 Seuraavaksi paikanna anturi jollain seuraavista menetelmistä:

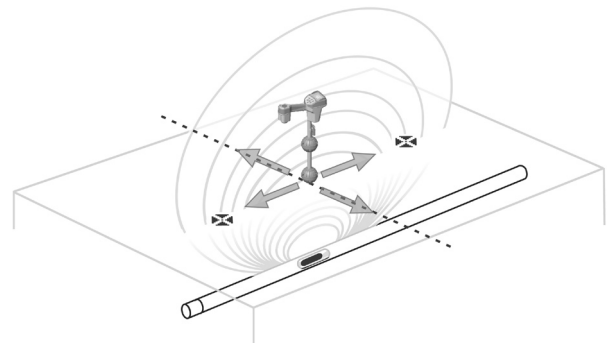
Menetelmä 1 – Maksimoi signaalin voimakkuus

1. Pidä Scoutia niin, että masto osoittaa pois päin kehostasi. Heilauta mastoa oletettuun anturin suuntaan ja tarkkaile samalla signaalin voimakkuutta ja kuuntele ääntä. Signaali on korkein silloin, kun masto osoittaa anturiin.
2. Laske Scout normaaliin käyttöasentoonsa (masto pystysuorassa) ja kävele anturin suuntaan. Lähestyessäsi anturia signaali voimistuu ja äänimerkki voimistuu ja sen korkeus nousee. **Maksimoi signaali** signaalin voimakkuuden ja äänen avulla.



3. Kun olet löytänyt maksimin, sijoita Scout lähelle maata huippukohdan yläpuolella, siirrä sitä kaikkiin suuntiin ja varmista, että signaali alenee.

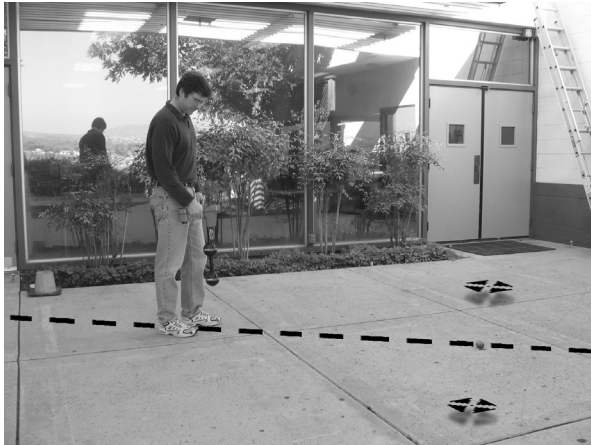
HUOM Korkein signaali on ratkaiseva. Ekvaattoriiviiva saattaa olla eri kohdassa kuin korkein signaali, jos anturi on kallellaan (katso kohta Kallistuneet anturit).



Menetelmä 2 – Seuraa ekvaattoria ja etsi maksimisignaali

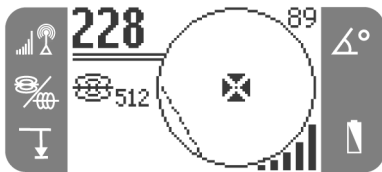
1. Toimii parhaiten esteettömillä avoimilla alueilla, kun **anturin oletetaan olevan vaakatasossa**. Heilauta mastoa ja kävele voimakkaimman signaalin suuntaan kuten menetelmässä 1..
2. Kun Scoutin näytön keskellä on **yhtenäinen** ekvaattoriiviiva, seuraa sitä voimistuvan signaalin suuntaan. Kun signaalin maksimivoimakkuus on saavutettu, siirrä Scoutia ekvaattoria pitkin **jakaikkin** suuntiin ja varmista, että se on huipun kohdalla.

Kun anturi on kallistettuna, on tärkeää löytää voimakkain signaali, koska se on anturin sijaintipaikka.



Varmista sijainti.

1. Liikuta Scoutia voimakkaimman signaalin kohdalla ja masto pystyasennossa, kohtisuoraan näytössä näkyvään ekvaattoriviivaan nähden. Kun napakuvake tulee näyttöön, liikuta Scoutia, kunnes napakuvake on ristikon keskellä alemman antennipallon ollessa maassa. Aseta yksi oransseista kolmiomerkeistä maahan tähän kohtaan.



Näkymä, kun Scout on navalla.

2. Siirrä Scout takaisin ekvaattoriviivaa pitkin toiselle navalle. Keskitä ristikko toiseen napakuvakkeeseen ja merkitse sen sijainti kuten aiemmin.
3. Siirry takaisin **voimakkaimman signaalinkohdalle**. Merkitse tämä kohta maahan keltaisella kuusikulmamerkillä. Siirrä alemmaa antennipalloa hitaasti keltaisesta merkistä pois päin kaikkiin suuntiin ja tarkkaile samalla signaalin voimakkuuden näyttöä. Signaalin voimakkuuden pitäisi olla voimakkain suoraan anturin päällä.
4. Katso, että kaikki kolme merkkiä ovat linjassa ja että keltainen kuusikulmamerkki on suunnilleen napamerkkien puolivälissä.

Jos keltainen merkki ei ole keskellä, katso kallistuneita antureita käsittelevä osuus.

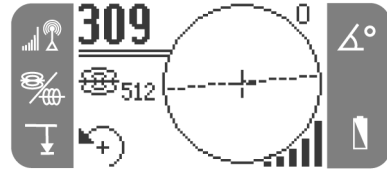
TÄRKEÄÄ Ekvaattorin päällä oleminen EI tarkoita, että olet anturin päällä! Muista, että signaalin voimakkuus on keskeinen tekijä anturia paikannettaessa. Sinun on oltava voimakkaimman signaalin kohdalla. Paras tarkkuus saavutetaan käyttämällä vesitasainta. Maston ON OLTAVA pystysuorassa napoja ja ekvaattoria merkittäessä, jotta niiden sijainti saadaan oikein.

5.5 Syvyyden mittaus

Scout mittaa syvyyden vertaamalla signaalin voimakkuutta alemman antennin ja ylemmän antennin välillä.

Syvyys mitataan siten, että alempi antenni koskettaa maata suoraan signaalin lähteen yläpuolella.

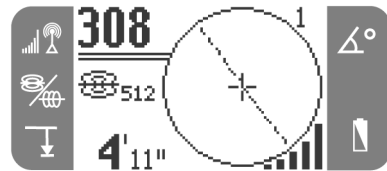
1. Syvyys mitataan asettamalla paikannin maahan suoraan anturin tai putken päälle. Varmista, että kulmanilmaisimen lukema on 5 astetta tai alle. Kierä laitetta sitten näytön **vasemmassa alakulmassa** näkyvän nuolen suuntaan, kunnes syvyys tulee näkyviin.



Vesitasain on hyödyllinen syvyyttä mitattaessa, koska sillä voidaan varmistaa, että antennin masto on pystysuorassa.

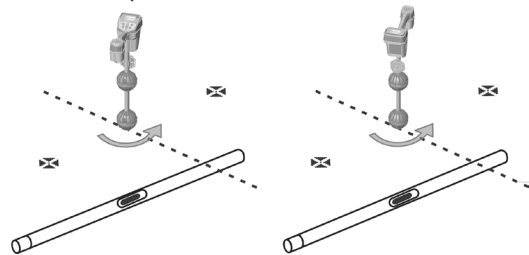
Signaalin maksimoimiseksi ja tarkemman syvyydlukeman saavuttamiseksi Scoutia on kierrettävä, jotta antenni ja signaali ovat kohdakkain

2. Syvyys näkyy vasemmassa alakulmassa.



3. **Syvyysmittauksen pakotus** - Jos kulmanilmaisimen lukema on yli 5 astetta, Scout ei anna syvyydlukemaa. Paina aluanuolinäppäintä ja pidä sitä painettuna. Näin voidaan pakottaa syvyysmittaus, jos syvyys on mitattavissa (kallistuneita antureita käsitellään seuraavassa osuudessa).

Syvyyttä mitattaessa on aina tehtävä mittaus, kierrettävä sitten Scoutia 180 astetta (puoliympyrä) ja tehtävä uusi syvyysmittaus. Varmista, että alempi pallo pysyy paikallaan maassa ja että masto on pystysuorassa. Jos syvyydlukemat eivät ole 10%:n sisällä toisistaan, läsnä on vääristymiä ja syvyydlukema tulee kyseenalaistaa.



5.6 Vinkkejä anturin paikantamiseen

- Jos mahdollista, käytä ääntä apuna etsiessäsi Scoutilla vahvinta signaalia.
- Jos kuljet ekvaattorin yli ja signaali ei ole maksimissaan, kulje ekvaattoria pitkin vahvimman signaalin luokse. Anturin ekvaattorin (katkoviiva näytössä) löytyminen EI tarkoita, että anturi on löytynyt. Myös voimakkaimman signaalin sijainti on löydettävä. Jos anturi on jyrkästi kallillaan, ekvaattori EI sijaitse suoraan anturin päällä eikä etäisyys anturista napoihin ole yhtä pitkä. Jos anturi on kallillaan, etsi vahvin signaali.
- Varmista aina voimakkaimman signaalin sijainti. Varmenna kartan näyttämät tiedot, jos ei ole tiedossa, että kaikki vaadittavat ehdot

täyttyvät. Kartta olettaa seuraavien ehtojen täyttyvän:

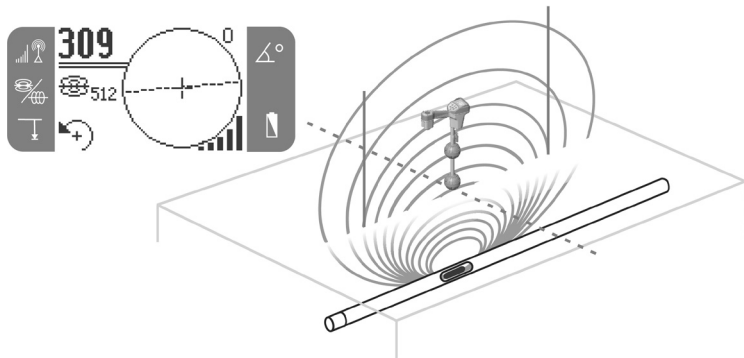
1. Maa on tasainen.
2. Anturi on vaakatasossa.
3. Scout-paikannin on maan päällä vaakatasossa.
4. Scout-paikanninta pidetään suunnilleen pystyasennossa antennin masto suoraan alaspäin.

Jos nämä ehdot eivät täyty, ole erityisen tarkka vahvimman signaalin etsimisessä. Yleensä, jos yllä luetellut ehdot täyttyvät ja Scout on suunnilleen kahden "syvyyden" päässä signaalin lähteestä, kartta on käyttökelpoinen ja tarkka. Tämä on syytä pitää mielessä karttaa käytettäessä, jos kohde tai signaalin lähde on erittäin matalalla. Käyttökelpoinen hakualue pelkästään karttaa käyttäen on pieni, jos anturi on äärimmäisen matalalla.

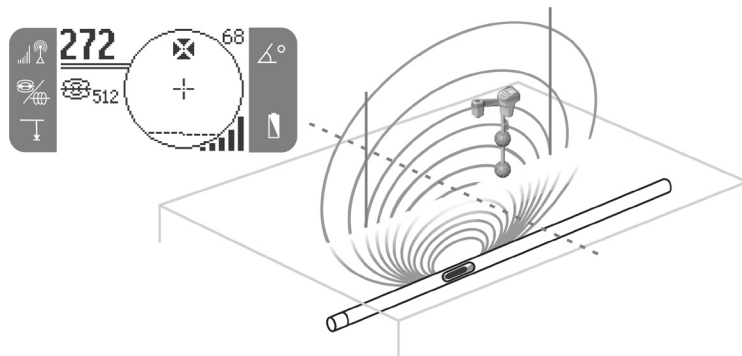
5.7 Kallistuneet anturit

Jos anturi on kallellaan, toinen napa siirtyy lähemmäksi anturia ja toinen etäämmäksi, joten anturi ei enää sijaitse napojen puolivälissä. Lähemmän

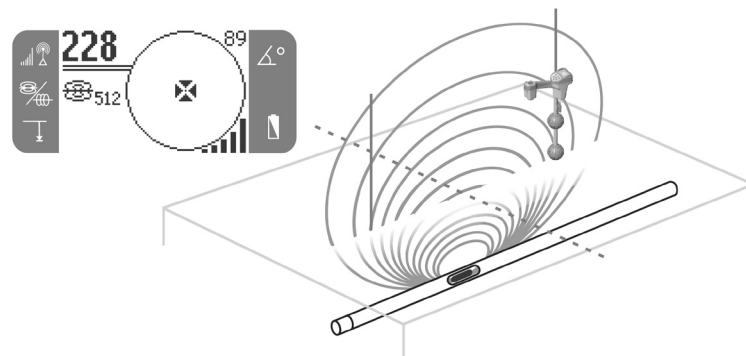
Mikrokartta - Esimerkkejä – Anturitila



Scout ekvaattorilla



Scout poistuu ekvaattorilta ja lähestyy napaa



navan signaalin voimakkuus on tällöin huomattavasti korkeampi kuin etäämpänä olevan navan. Ääritapauksessa anturi kallistuu pystyasentoon ja toinen napa siirtyy suoraan anturin yläpuolelle, jolloin tämä napa myös vastaa voimakkainta signaalikohtaa. Toinen napa ei näy. Tästä syystä anturi voidaan paikantaa, vaikka se olisikin pystysuorassa asennossa, johon se on voinut joutua osuessaan putkessa olevaan murtumaan tai maanalaiseen säiliöön. Näytössä näkyy voimakkaimman signaalin napa anturin ollessa pystysuorassa.



The multi directional antennas allow the depth to be measured even if the sonde is tilted. In this circumstance the force depth feature must be used to take a depth measurement (see Measuring Depth).

6. Johdon paikantaminen Scoutilla

Scoutilla voidaan myös paikantaa putki tai johto, jotta sen päällä oleva maa voidaan merkitä. Kun johdon sijainti merkitään, se voidaan välttää kaivauksissa tai kaivaa esiin korjausta tai vaihtoa varten. Scout pystyy paikantamaan taajuudeltaan vaihtelevia jännitteisiä johtoja tai sitä voidaan käyttää passiivisesti paikantamaan kaikki signaalia kantavat pitkät johtimet.

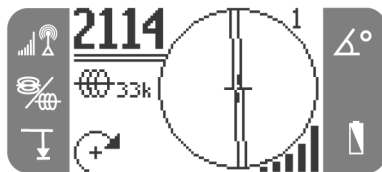
1. Kiinnitä johtolähetin johtoon valmistajan ohjeiden mukaan.

"Lähetin" on yleisnimi mille tahansa paikannettavaa signaalia lähettävälle laitteelle. Sillä voidaan tarkoittaa anturia sekä laitetta, jota käytetään kaapelin tai putken jännitteistämiseen.

2. Varmista, että lähettimessä käytetty taajuus ja Scoutin taajuus vastaavat toisiaan. Varmista, että johdon jäljityksen kuvake ~näky. Palaa paikannusnäyttöön painamalla päävalikonäppäintä.



3. Jäljitystä aloitettaessa on suositeltavaa tarkkailla ensin signaalin voimakkuutta, jotta voidaan nähdä, laskeeko se, kun Scoutia vedetään etäämmäksi. Suuntaa masto johtoihin tai itse lähettimeen, jos induktiivinen tila on käytössä. Signaalin huipun pitäisi olla linjan päällä, ja signaalin tulee laskea linjan molemmin puolin. Jos signaalin voimakkuus ja näytön viivat EIVÄT vastaa toisiaan, signaali saattaa olla vääristynyt.
4. Jäljityksen aikana putken tai kaapelin kulku näkyy näytössä kahtena yhtenäisenä viivana. Kun viivat ovat keskellä, se tarkoittaa, että Scout jäljittää maanalaista johtoa. Jos viiva siirtyy vasemmalle tai oikealle, siirrä Scoutia niin, että viiva on jälleen keskellä. Johdon lähettämä signaali on voimakkain suoraan johdon päällä. Jos näin ei ole, signaalissa on vääristymiä.



HUOM Johdon jäljityksen taajuutta käytettäessä näytössä on kaksi viivaa. Käytettäessä anturin taajuutta ekvaattori on yksittäinen viiva

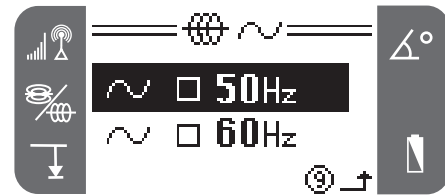
VAROITUS Signaalin häiriintymistä on pidettävä silmällä, sillä se voi aiheuttaa lukemien epätarkkuutta. Syvyyslukemia on pidettävä arvioina, ja todelliset syvyydet on varmennettava paljastamalla johto ennen kaivamista.

5. Jäljitystä aloitettaessa on suositeltavaa tarkkailla ensin signaalin voimakkuutta, jotta voidaan nähdä, laskeeko se, kun Scoutia vedetään etäämmäksi. Suuntaa masto johtoihin tai itse lähettimeen, jos induktiivinen tila on käytössä. Signaalin huipun pitäisi olla linjan päällä, ja signaalin tulee laskea linjan molemmin puolin. Jos signaalin voimakkuus ja näytön viivat EIVÄT vastaa toisiaan, signaali saattaa olla vääristynyt.

6.1 Passiivisen vaihtovirtajohdon jäljitys

Passiivisessa tilassa Scout havaitsee vaihtovirtakenttiä. Maahan kaivetut voimajohdot eivät yleensä lähetä minkäänlaista jäljitettävää signaalia, ellei johdoissa kulje virtaa. Esimerkiksi sammutettuja katuvaloja on hankala jäljittää passiivisesti.

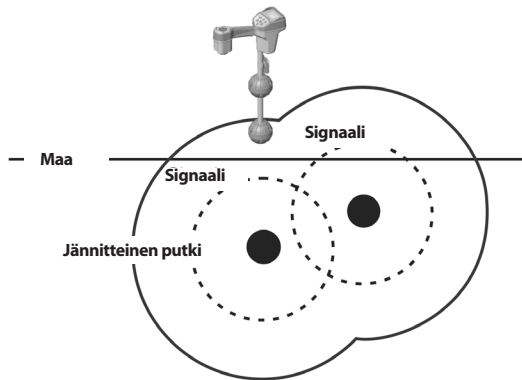
1. Valitse passiivinen vaihtovirran jäljitystaajuus passiivisen johdon jäljityksen kuvakkeella ~.
2. Scoutissa on kaksi (2) standardia passiivisen vaihtovirran jäljityksen taajuutta. Ne ovat 50 Hz ja 60 Hz.



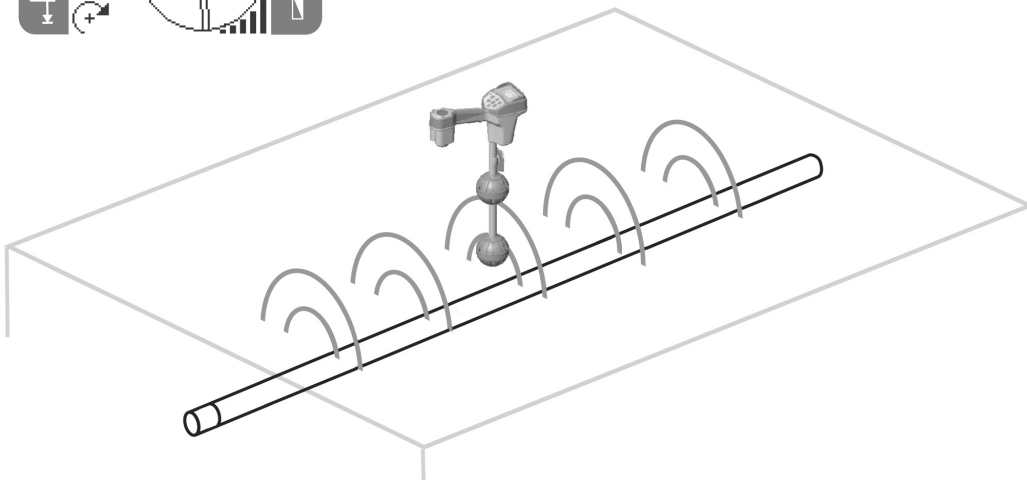
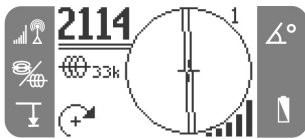
6.2 Vinkejä johdon jäljitykseen

- Kun viivat eivät ole kartan keskellä, mutta signaalin voimakkuus on korkeimmillaan, signaalissa on vääristymiä!
 - a. Kokeile vaihtaa käytettävä taajuus alhaisemmaksi.
 - b. Siirrä maadoitustappia etäämmäksi jäljitettävästä johdosta.
 - c. Varmista, että johto ei ole kytketty toiseen johtoon, putkeen tai kaapeliin.
 - Jos viivat eivät asetu keskelle tai jos ne siirtyvät näytössä selittämättömästi, Scout ei ehkä saa selkeää signaalia.
 - a. Tarkasta lähetin ja varmista, että se toimii ja on hyvin maadoitettu.
 - b. Testaa piiri osoittamalla alemmaa antennia kumpaankin lähetimen johtoon.
 - c. Varmista, että Scout ja lähetin toimivat samalla taajuudella.
 - d. Kokeile eri taajuuksia, alimmasta alkaen, kunnes johto voidaan vastaanottaa luotettavasti.
 - Virta virtaa parhaiten pienimmistä johdoista suurimpiin (vastukseltaan alhaisimpiin) johtoihin. Yksi esimerkki tästä on talosta kadulle kulkevan putken jäljitys.
 - Jäljityksen aikana signaalin pitäisi olla voimakkaimmillaan ja syvyyden pienimmillään samassa paikassa, jossa viivat asettuvat näytön keskelle. Jos näin ei ole, johto, kaapeli tai putki saattaa olla kääntymässä tai läsnä saattaa olla muita kytkettyjä signaaleja.
 - Korkeammat taajuudet vuotavat enemmän yli, mutta niitä saatetaan tarvita jäljitysjohtojen halkeaminen tai eristysliittimien ylittämiseen.
 - Käytettäessä lähetintä induktiivisesti paikannus on aloitettava 10–15 m etäällä "ilmakytösten" välttämiseksi. Ilmakytöksissä Scout poimii signaalin suoraan lähettimestä eikä jäljitettävästä johdosta.
- Jäljityksen aikana mikrokartta olettaa seuraavien ehtojen täyttyvän:
- a. Maa on tasainen.
 - b. Johto on vaakatasossa.
 - c. Scout-paikannin on maan päällä vaakatasossa.
 - d. Scoutin antennimastoa pidetään suunnilleen pystysuorassa.

- Jos nämä ehdot eivät täyty, ole erityisen tarkka vahvimman signaalin etsimisessä. Yleensä, jos Scout on suunnilleen kahden "syvyyden" päässä johdosta, kartta on käyttökelpoinen ja tarkka. Tämä on syytä pitää mielessä mikrokarttaa käytettäessä, jos kohde tai johto on erittäin matalalla. Käyttökelpoinen hakualue mikrokartassa voi olla pieni, jos johto on äärimmäisen matalalla.



Mikrokartta - Esimerkkejä – Johdon jäljitys



7. Työkalu-valikko

7.1 Syvyyden yksiköiden vaihto.

Scout voi näyttää mitatut syvyydet joko metreinä tai jalkoina. Asetusta voidaan muuttaa korostamalla työkaluvalikon syvyyskuvake ja valitsemalla sen jälkeen metrit tai jalat valintanäppäimellä.



7.2 Automaattinen taustavalo

Näppäimistön vasemmassa yläkulmassa sijaitseva valosensori havaitsee himmeän valaistuksen. Taustavalon voi sytyttää peittämällä tämän sensorin peukalolla.

Automaattinen nestekidetaustavalo on asetettu tehtaalla niin, että se syttyy vain verrattain hämärissä olosuhteissa. Näin säästetään paristojen virtaa. Kun paristot ovat melkein tyhjä, taustavalo näyttää himmeältä. Paristojen käyttöä lähessä loppuaan taustavalo toimii erittäin alhaisella teholla paristojen virran säästämiseksi.

Taustavalo voidaan sammuttaa korostamalla valikon työkaluusuudessa oleva lamppukuvake ja valitsemalla sen jälkeen Auto tai OFF valintanäppäimellä.



7.2.1 Nestekidenäytön kontrasti

Kun tämä on korostettuna ja valittuna, nestekidenäytön kontrastia voidaan säätää ylä- ja alanuolinäppäimillä.



8. Hyödyllisiä tietoja

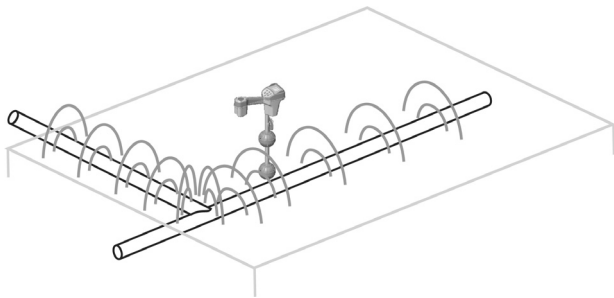
8.1 Signaalihäiriöt

8.1.1 Vääristyneet kentät

Toisinaan yksittäinen kenttä saattaa osua maassa metalliin tai muuhun rautapitoiseen materiaaliin, joka saattaa vääristää kenttäviivoja. Kyseessä voi olla toinen putki, johto tai kaapeli, maahan haudattua romua tai käyttämättömiä johtoja, jotka voivat sysätä kenttäviivoja sivuun tai lyhentää niitä. Tällöin Scout saattaa näyttää heikomman signaalin esineen ympärillä ja voimakkaamman signaalin suoraan sen päällä. Esine voi toimia linsinä, joka vahvistaa tai heikentää signaalia arvaamattomasti.

8.1.2 Yhdistyneet kentät

Myös kenttien yhdistyminen on mahdollista. Kun yksittäinen kenttä kohtaa toisen kentän, nämä kaksi (tai useampi) kenttää voivat luoda voimakkaamman signaalin. Käyttäjien on tärkeää ymmärtää tämä mahdollisuus johtojen "T-kulmien" eli suorakulmien lähetyksillä, jossa yhdistyneitä kenttiä usein esiintyy.



Yhdistynyt kenttä näkyy johdon liittymäkohdan ympärillä.

8.1.3 Häiriöt

Häiriösignaalit ovat yksinkertaisesti osa paikantamisen haastavuutta. Häiriötä voi esiintyä joko käytettävällä taajuudella tai sitä voi esiintyä "kaistan ulkopuolella" muilla taajuuksilla. Joitain suurimpia häiriösignaaleita luovat voimansiirtolaitteet. Verkko- ja suojat, suuret sähkömoottorit tai generaattorit ja johdot voivat aiheuttaa erittäin suuria häiriösignaaleja. Erityisen häiriöllisiä alueita tulisi välttää, jos se on mahdollista.

Jos kulmanäyttö on epävakaa ja/tai jos signaalitasot eivät ole vakait, se on hyvä merkki joko siitä, että kohdesignaalia ei ole (anturi tai jännitteinen johto) tai siitä, että häiriötä on paljon.

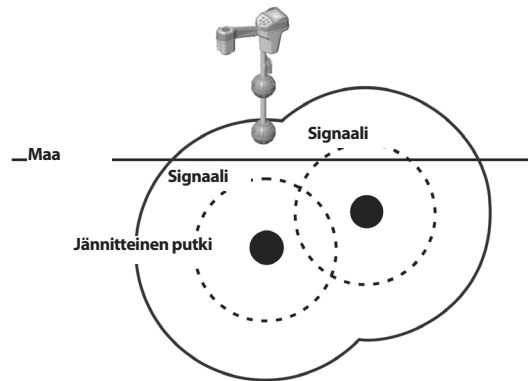
8.2 Huomautuksia tarkkuudesta

Syvyyden ja signaalin voimakkuuden mittausta perustuu siihen, että Scout vastaanottaa voimakkaan signaalin. Muista, että Scoutia käytetään maanpinnan yläpuolella havaitsemaan sähkömagneettisia kenttiä, joita lähettävät maan alla olevat johdot (metallilankojen ja -putkien kaltaiset sähköjohtimet) tai anturit (aktiivisesti lähettävät lähettimet). Jos kentät ovat yksinkertaisia ja vääristymättömiä, havaitut kentät antavat hyvän kuvan maassa olevasta esineestä.

Jos nämä kentät ovat vääristyneitä ja keskenään vuorovaikutuksessa olevia kenttiä on useita, Scoutin paikannus on epätarkkaa. Paikantaminen ei ole eksakti tiede. Siinä vaaditaan käyttäjän harkintaa ja kaikkien käytettävissä olevien tietojen hankkimista laitteen lukemien lisäksi ja niistä huolimatta. Scout antaa käyttäjälle lisää tietoja, mutta käyttäjän tehtävänä on tulkita nämä tiedot oikein. Yksikään paikantimien valmistaja ei neuvo, että käyttäjän tulisi noudattaa yksinomaan laitteen antamia tietoja.

Paikantamisen tarkkuus on syytä kyseenalaistaa seuraavissa olosuhteissa:

- **Kun läsnä on muita johtoja, putkia tai kaapeleita.** "Ylivuoto" saattaa aiheuttaa vääristyneitä kenttiä ja valaista johtoja tarkoituksettomasti. Käytä mahdollisuuksien mukaan alhaisempia taajuuksia ja eliminoi kaikki johtojen väliset kytkennät.



- **Kun lähettäjä käytetään induktiivisesti.** Tässä tapauksessa saadaan heikko signaali. Käytä suoraa kytkentää aina kun mahdollista.
- **Kun johdossa on T-kulmia tai halkeamia.** Nämä voivat aiheuttaa signaalin vääristymiä.
- **Kun signaali on heikko.** Tarkkaan paikannukseen tarvitaan voimakas signaali.
- **Kun maaperän olosuhteet vaihtelevat.** Kosteuden ääripäät, joko liian kuiva tai ylikyllästetty, saattavat vaikuttaa mittauksiin. Esimerkiksi rannikolla suolaveden mahdollisesti kyllästämä maa suoja signaalia tehokkaasti, mikä tekee paikantamisesta erittäin vaikeaa

9. Kuljetus ja varastointi

Varmista ennen kuljetusta, että laitteen virta on katkaistu paristojen virran säästämiseksi.

Varmista kuljetettaessa, että laite on kiinni ja ettei se pääse ponnahtelemaan ja että irrallaan olevat laitteet eivät pääse osumaan siihen. Scout on säilytettävä viileässä ja kuivassa paikassa.

Jos Scout varastoidaan pitkäksi aikaa, paristot tulee irrottaa.

10. Lisävarusteiden asennus/käyttö

Scoutin mukana toimitetaan merkit, joilla voidaan merkitä napojen tai antureiden sijainti maan päällä. Kahdella punaisella merkillä merkitään navat ja yhdellä keltaisella merkillä merkitään anturi.

Jos tarvitset lisäapua, ota yhteys jälleenmyyjään tai RIDGIDin edustajaan.

11. Huolto ja puhdistus

⚠ VAROITUS

1. Puhdista Scout kostealla liinalla ja pienellä määrällä mietoa pesuainetta. Älä upota veteen.
2. Puhdistuksessa ei saa käyttää hankaavia työkaluja tai aineita, sillä ne voivat naarmuttaa näytön pysyvästi. **ÄLÄ KÄYTÄ LIUOTTIMIA järjestelmän minkään osan puhdistamiseen.**

14. Vianmääritysopas

ONGELMA	TODENNÄKÖINEN VIKA
Scout lukittuu käytön aikana.	Sammuta laitteen virta ja kytke se sitten uudestaan. Irrota paristot, jos laitteen virta ei sammuu.
Paikantamisen aikana viivat ”hyppivät” näytön mikrokartassa	Scout ei saa poimittua signaalia tai ilmassa on häiriöitä.
	Varmista, että lähetin on hyvin kytketty ja maadoitettu. Suuntaa Scout kumpaankin johtoon, jotta saat varmasti täyden piirin.
	Kokeile korkeampaa taajuutta.
Anturin paikantamisen aikana viivat ”hyppivät” näytössä.	Yritä jäljittää häiriölähde ja eliminoi se.
	Varmista, että anturin paristot toimivat. Varmista signaali asettamalla alempi antenni anturin lähelle. Huom. – Anturit eivät pysty lähettämään signaaleja hyvin valurauta- ja pallografiittirautajohtojen läpi.
Anturin ja napojen välinen etäisyys ei ole yhtä pitkä.	Anturi voi olla kallellaan tai kyseessä voi olla siirtymä valuraudasta muoviin.
Laitte oikuttelee, virta ei katkea.	Paristojen virta saattaa olla vähissä. Vaihda uudet paristot ja kytke virta.
Näyttö on täysin pimeä tai täysin vaalea, kun virta kytketään.	Sammuta laitteen virta ja kytke se sitten uudestaan.
	Säädä nestekidenäytön kontrastia.
Ääntä ei kuulu.	Säädä äänenvoimakkuutta äänivalikossa.
Scout ei poimi signaalia.	Varmista, että asetettuna on oikea tila ja taajuus.
Scoutin virta ei kytkeydy.	Varmista, että paristot ovat oikein päin. Varmista, että paristoissa on virtaa. Varmista, että paristojen koskettimet ovat kunnossa. Laitteesta voi olla palanut sulake (vaatii tehtaan huoltoa).

Asetonin ja muiden karkeiden kemikaalien käyttö saattaa aiheuttaa halkeamia koteloon.

12. Viallisten osien paikantaminen

Vianmääritysehdotuksia on käyttöoppaan lopussa olevassa vianmääritysoppaassa. Ota tarvittaessa yhteys Ridge Tooliin tai jälleenmyyjäsi, jos tarvitset lisätietoja tai apua.

13. Huolto ja korjaus

⚠ VAROITUS

Työkalu on vietävä valtuutettuun RIDGID-huoltokeskukseen.

15. Tekniset tiedot

Paino paristojen kanssa.....	1,4 kg
Paino ilman paristoja.....	1 kg
Mitat	
Pituus.....	28,5 cm
Leveys.....	11,0 cm
Korkeus.....	56,0 cm
Tehonlähde	
4 C-kokoista paristoa, 1,5 V alkali (ANSI/NEDA 14A, IEC LR14) tai ladattavat 1,2 V NiMH- tai NiCad-paristot	
Nimellisteho: 6 V, 550 mA	
Käyttöympäristö	
Lämpötila.....	20-50°C
Kosteus	5-95% suhteellinen kosteus
Varastointilämpötila.....	-20-60°C
Vakioaajuudet	
Anturi.....	512 Hz, 640 Hz, 874 Hz, 33 kHz
Aktiivinen johdon jäljitys.....	512 Hz, 8 kHz, 33 kHz
Passiivinen johdon jäljitys.....	60 Hz, 50 Hz

Oletusasetukset

Paikantimen oletusasetukset ovat:

Syvyysyksiköt = Metri ja senttimetri

Äännoimakkuus = 1 (yksi askel mykistetyistä ylöspäin)

Taustavalvo = Automaattinen

Vakiovarusteet

- Scout-paikannin
- Merkit ja maston pidike
- 2 Käyttöopasta: USA + Eurooppa
- 4 C-paristoa (alkali)
- Video PAL

Lisävarusteet

- Ylimääräiset navan/anturin merkit
- NaviTrack-lähetin
- Kipinäliitin
- Akkukäyttöinen anturi
- Koho

16. Kuvakkeiden selitykset
NÄYTÖN KUVAKKEET

- Anturin taajuus
 - Aktiivisen paikannuksen taajuus
 - Passiivisen (vaihtovirta) paikannuksen taajuus
 - Äännoimakkuus
 - Paristojen teho
 - Syvyys
 - Vaakatasoinen kulman ilmaisin
 - Signaalin voimakkuus
 - Työkalu-valikko
 - Nestekidenäytön kontrasti
 - Nestekidenäytön taustavalvo
- NÄPPÄIMISTÖN KUVAKKEET**
- Valikkojen selaus
 - Äänimerkin nollaus/valikon kohdan valinta
 - Valikkojen selaus/syvyyyden pakotus (3 sekunnin painallus)
 - Virtanäppäin
 - Valikonäppäin
 - Anturi-/Paikannus-/Taajuustilan näppäin
 - Äännoimakkuuden säätö

NO

NaviTrack Scout Bruksinstruksjoner

Oversettelse av den originale veiledningen



GENERELL SIKKERHETSINFORMASJON

ADVARSEL! Les og forstå alle instruksjoner. Unnlattelse i å følge alle instruksjonene som er oppført nedenfor, kan føre til elektrisk støt, brann og/eller alvorlig personskade.

**LES DE MEDFØLGENDE SIKKERHETSINSTRUKSJONENE.
TA VARE PÅ DISSE INSTRUKSJONENE.**

CE-samsvarserklæringen (890-011-320.10) vil følge med denne håndboken som en separat brosjyre der det er påkrevet.

Forholdsregler for batteri

- **Bare bruk batterier med oppgitt størrelse og type. Ikke bland celled typer (dvs.: ikke bruk alkaliske batterier sammen med oppladbare).** Ikke bruk delvis utladete og helt ladete celler sammen (dvs.: ikke bland gamle og nye).
- **Lad opp batteriene med ladeenheter spesifisert av batteriproducenten.** Hvis du bruker gal lader, kan dette føre til at batteriet går varmt og sprekker.
- Kvitt deg med batteriene på riktig måte. Eksponering for høye temperaturer kan få batteriet til å eksplodere, så ikke kast det på åpen ild. Enkelte land har regler om kildesortering av batterier. Følg alle gjeldende regler.

1. Bruk og vedlikehold av Scout

- **Bruk kun utstyret i henhold til instruksjonene.** Ikke bruk Scout med mindre du har fullført korrekt opplæring og har lest eierhåndboken.
- **Antennene må ikke dyppes i vann.** Oppbevares på et tørt sted. Slike forhåndsregler reduserer risikoen for elektrisk støt og skade.
- **Kontroller at det ikke er brudd på noen deler eller at det foreligger andre forhold som kan påvirke funksjonen til Scout.** Hvis verktøyet er skadet, må det repareres før bruk. Mange ulykker skyldes dårlig vedlikeholdt verktøy.
- **Du må bare bruke tilbehør som er anbefalt av produsenten for Scout.** Tilbehør som kan passe for ett instrument, kan være farlig hvis det benyttes med et annet.
- **Hold håndtakene tørre, rene og unna olje og fett. Dette vil gi bedre kontroll over instrumentet.**
- **Beskytt mot sterk varme.** Hold produktet unna varmekilder som radiatorer, varmelister og -ovner og andre apparater (inkludert forsterkere) som produserer varme.

1.1 Service

- **Service på diagnoseverktøy må kun utføres av kvalifisert servicepersonell.** Service eller vedlikehold utført av ukvalifisert servicepersonell kan føre til skade.
- **Sørg for skikkelig renhold.** Ta ut batteriene før rengjøring. Ikke bruk flytende rengjøringsmidler eller sprayrens. Bruk en fuktig klut til rengjøring.

- **Utfør en sikkerhetskontroll.** Når service eller reparasjon av dette produktet er ferdigstilt, må du be serviceteknikeren om å foreta sikkerhetskontroller for å avgjøre om produktet fungerer som det skal.
- **Skade på produktet som krever service.** Ta ut batteriene og overlatt vedlikehold til kvalifisert servicepersonale hvis et av følgende forhold oppstår:
 - Hvis væske er sølt eller gjenstander har falt ned i produktet.
 - Hvis produktet ikke opererer normalt når bruksinstruksjonene følges.
 - Hvis produktet har falt ned eller er blitt skadet på noen som helst måte.
 - Når produktet viser en klar endring i ytelsen.

Oppgi alle opplysninger på verktøyets navneplate, inklusive modellnummer og serienummer, i all korrespondanse.

1.2 Viktig merknad

Scout er et diagnoseverktøy som registrerer elektromagnetiske felt avgitt av gjenstander under bakken. Det skal hjelpe brukeren med å finne disse gjenstandene ved å gjenkjenne feltlinjenes særtrekk og vise dem på skjermen. Da elektromagnetiske feltlinjer kan forvrennes og utsettes for interferens, er det viktig å få bekreftet plasseringen av gjenstander under bakken før graving.

Flere anlegg kan finnes seg under bakken i samme område.

Påse at du følger lokale retningslinjer.

Anleggets eksistens, plassering og dybde kan bare bekreftes ved at det eksponeres.

Ridge Tool Co., dets datterselskaper og leverandører vil ikke være ansvarlige for eventuelle skader eller direkte, indirekte eller tilfeldige skader eller følgeskader brukeren måtte pådra seg eller utsettes for ved bruk av Scout. Påse at du følger lokale retningslinjer.

2. Innføring i Scout

Scout™-sonden og linjeposisjonsindikatoren bruker flere retningsantennener og avansert behandling for å gjøre lokalisering og avsporing av anleggskabler rask, nøyaktig og enkel.

2.1 Hva er enhetens unike funksjoner?

Scouts avanserte teknologi gir flere unike funksjoner sammenlignet med vanlige posisjonsindikatorer:

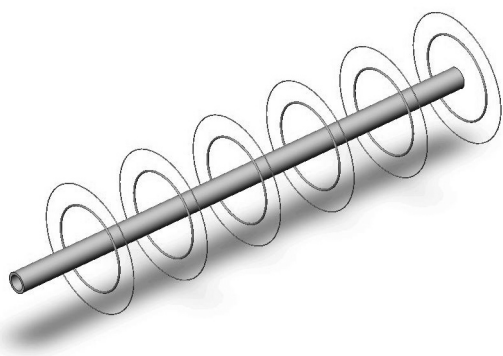
- System med flere retningsantennener.
- Mikrokartvisning.
- Indikerer tydelige signalsærtrekk.

2.2 Enhetens funksjon

Scout brukes over bakken for å føle og avspore elektromagnetiske felt som kommer fra bakken eller skjulte linjer (elektriske ledere som metallkabler og -rør) eller sonder (aktive radiosendere). Når feltene er enkle og uten forvrenging, representerer informasjonen fra de registrerte feltene den nedgravde gjenstanden. Scout finner ledende gjenstander som avgir et felt, den av søker ikke direkte underjordiske gjenstander.

Elektriske felter som avgis av nedgravde gjenstander kan bestå av to typer: Den første avgis av lange ledere som strømsatte ledninger, inspeksjonskameraledninger eller rør.

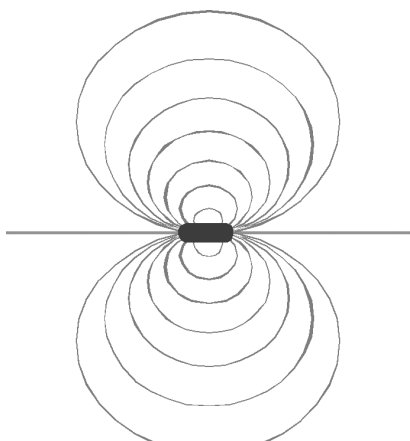
Disse gjenstandene produserer et langt sylindrisk felt, noe som ofte refereres til som "linjeavsporing".



Feltet avgis av en ladet linje.

(Passiv AC-avsøking er et spesielt tilfelle der ledningen strømmettes med elektrisk strøm.)

Den andre typen, sonder (også kalt sendere, radiosendere eller aktive kanalsonder), avgir et annerledes formet felt og Scout er programmert til å måle og vise denne type felt. Den mer komplekse feltformen for sonden kalles et dipolfelt. Dette er det samme som det som produseres av en stavmagnet og jordkloden.



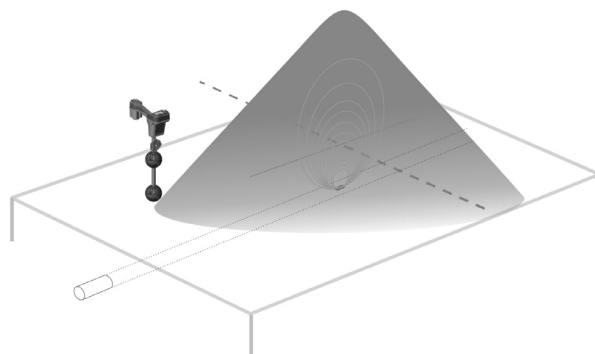
Dipolfeltet avgis av en sonde.

Elektromagnetiske felt har tre (3) viktige egenskaper: frekvens, styrke og vinkel (retning). I motsetning til vanlige posisjonsindikatorer, som bare kan måle styrken i retningen til de(n) individuelle antennen(e), måler Scout både signalstyrke og feltvinkler i tre dimensjoner (3D). Denne forbedrede kapasiteten muliggjør kartleggingsvisningen.

Den erfarne operatøren kan bruke denne tilleggsinformasjonen til å sette fart på lokaliseringsprosessen for å utføre komplekse lokaliseringer. På den andre siden kan en flyktig eller uerfaren bruker enkelt lokalisere ved hjelp av signalstyrken alene.

Scouts lokiseringsregel nr. 1 er gjør tallet stort! –

Den viktigste metoden for å lokalisere er ved å maksimere signalstyrken.



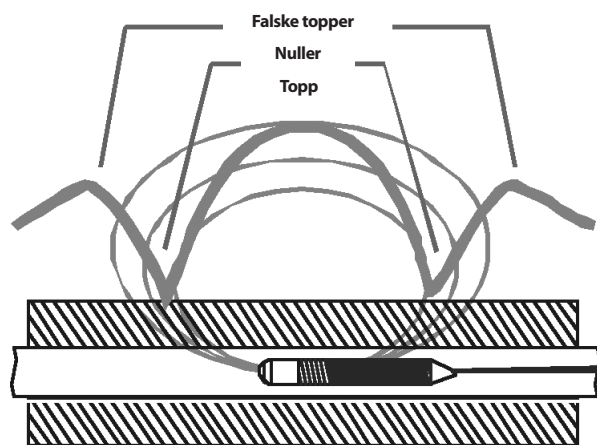
Eksempel på hvordan Scout maksimerer rett over sonden.

Maksimum signalstyrke oppstår over målgjenstanden både ved linjeavsøking eller sondelokalisering. Dybden vises når den er over målgjenstanden.

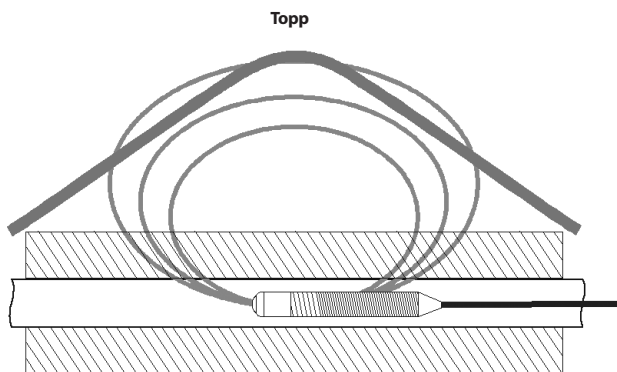
2.3 Fordelen med Scouts flere retninger

Visning med hele signalet fra flere retningsantennar gir klare fordeler:

1. Signal blir alltid sterkere når brukeren nærmer seg målgjenstanden.
2. Eliminerer nuller og falske topper. Et vanlig posisjonsindikatorsignal har en topp, deretter en null og deretter en mindre topp. Dette kan forvirre operatøren, spesielt hvis vedkommende fortolker en mindre topp som målgjenstanden (kjent som falske topper). Scout "ser" bare én topp for å lede brukeren til målgjenstanden.



Sondesignal slik det "sees" av en vanlig posisjonsindikator. Hovedtoppen er i midten, og to falske topper ligger utenfor de to nullene.



Sondesignal slik det "sees" av Scout. Kun én topp, ingen nuller.

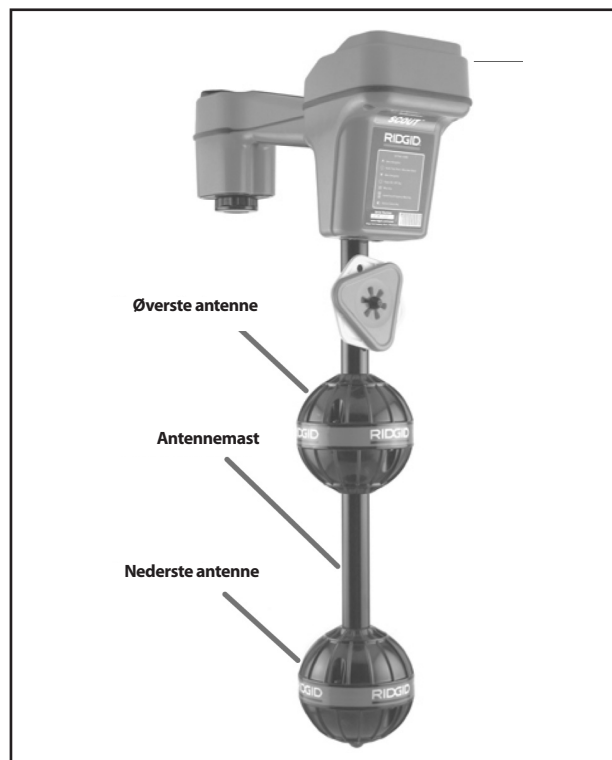
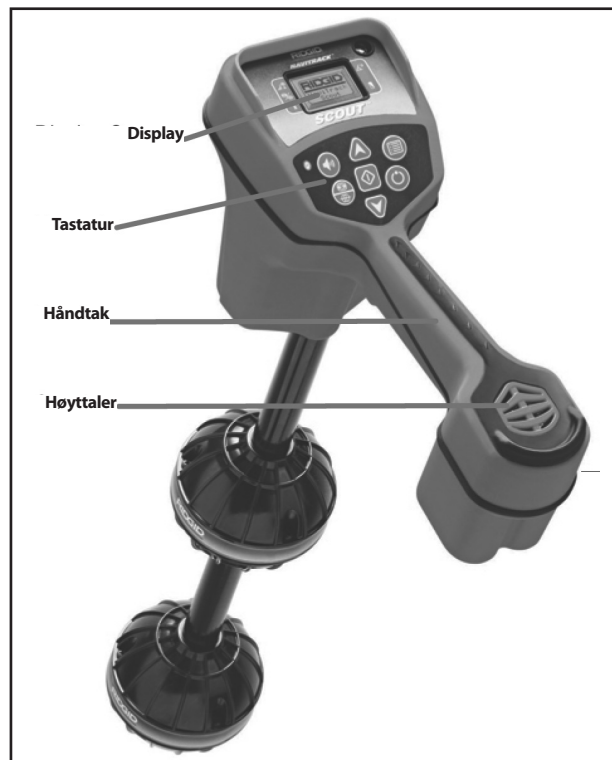
3. Måten enheten holdes på har ingen virkning på signalstyrken. Brukeren kan nærme seg fra enhver retning og behøver ikke å vite orienteringen eller retningen til røret eller kabelen.
4. Flere verktøy for å identifisere og utføre "vanskelige" lokaliseringer inkluderer et grafisk mikrokart og en vinkelindikator for hjelp til å tolke signalsærtrekk.

2.4 Mikrokart-fordelen

Kartet gir grafikk som viser signalets særtrekk. Det er et fugleperspektiv av signalet i bakken som vises grafisk på skjermen. Det blir brukt som en veiledning for avsøking av underjordiske ledninger, og kan brukes til å bestemme posisjonen til sonder bedre. Det kan også brukes til å gi mer informasjon i forbindelse med komplekse posisjonsbestemmelser.

Ved å flytte posisjonsindikatoren over bakken videresender Scout signalet som avgis av underjordiske gjenstander. Dette gjør at brukeren kan se visualiseringer av signalet på skjermen og deretter merke dem. Vanlige posisjonsindikatorer kan ikke kartlegge det underjordiske signalet da antennene til disse enhetene ikke kan "se" hele formen til kildegjenstandene.

3. Scout-komponenter

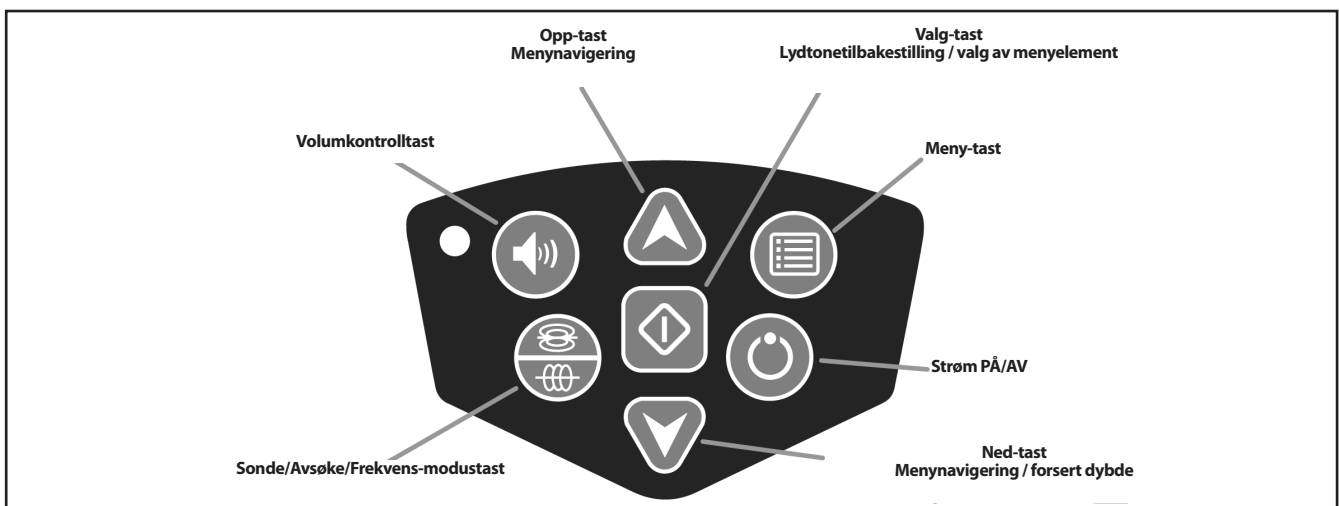




Display



Tastatur



Volumkontroll-tast – Åpner og lukker lydnivåmenyen.

Sonde/Avsøke/Frekvens-modustast – Veksler mellom aktive frekvenser og funksjoner.

Opp-tast – Ruller opp gjennom menyvalg.

Valg-tast – Velger uthevet valg når en meny er åpen.

Ned-tast – Ruller ned gjennom menyvalg.

Meny-tast – Åpner/lukker menyen.

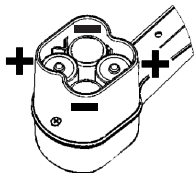
Strøm PÅ/AV – Slår Scout på eller av.

4. Komme i gang

4.1 Installere/skifte batterier

Hvis du vil installere batterier i Scout, snur du enheten for å få tilgang til batterilommen. Vri knotten på batterilokket mot urviseren. Trekk knotten rett opp for å ta av lokket. Sett inn batteriene som vist på merket på innsiden og pass på at de får full kontakt.

Sett lokket på huset og vri knotten med urviseren mens du trykker lett ned for å lukke det. Batterilokket kan settes inn i begge retninger.



Når Scout er slått på, bruker enheten noen sekunder på å sjekke batteriene. Frem til da vises batteristanden som "tom" ("empty").

⚠ ADVARSEL

Ikke slipp skrot eller fukt inn i batterilommen. Skrot eller fukt i batterilommen kan kortslutte batterikontaktene og føre til rask utlading av batteriene, noe som kan føre til lekkning av elektrolytt eller fare for brann.

4.2 Driftstider


Vanlig driftstid for Scout-posisjonsindikatoren ved bruk av alkaliske celler strekker seg fra 12 til 24 timer, avhengig av faktorer som for eksempel lydvolume og hvor ofte bakgrunnslyset er på. Andre faktorer som påvirker driftstiden, vil omfatte batteriets kjemi (mange av de nye ytesterke batteriene, som for eksempel "Duracell® ULTRA", varer 10 - 20% lenger enn konvensjonelle alkaliske batterier under krevende applikasjoner). Drift ved lavere temperaturer vil også redusere batteriets levetid.

For å beskytte batteriets levetid vil Scout automatisk slå seg av etter 1 time uten tastetrykk. Du slår bare enheten på igjen for å fortsette å bruke den.

4.3 Slå på og av

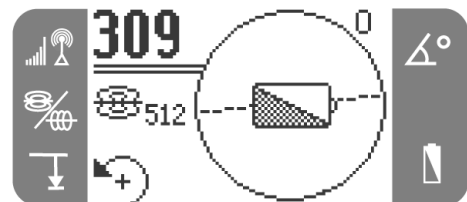
Slå på strømmen ved å trykke på Strøm PÅ/AV  på tastaturet. RIDGID®-logoen vises, og programversjonsnummeret vises i nedre høyre hjørne.



Slå av enheten ved å trykke på og utløse strømtasten  på tastaturet. Vær klar over at det er en forsinkelse på noen få sekunder når du slår på/av enheten.

4.4 Advarsel om lavt batteri

Når batteriet mister spenning, viser skjermen et batteriikon i kartområdet. Dette indikerer at batteriene må lades opp, og at enheten snart vil slå seg av.



Like før enheten slår seg helt av, vil det komme en avslutningssekvens som ikke kan avbrytes.

Spenningen på oppladbare batterier kan noen ganger falle så raskt at enheten bare slår seg av. Enheten slår seg av og starter på nytt. Bare skift batteriene og slå enheten på igjen.

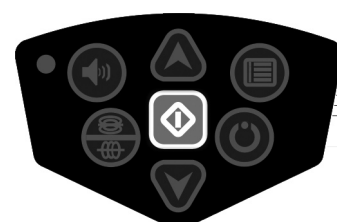
5. Oppsett

Når Scout er i gang, er neste trinn å sette opp frekvensene som svarer til utstyret du søker etter. Frekvensene du vil bruke aktiveres ved at du velger dem fra en liste på menyen.

1. Trykk på meny-tasten, uthev valget og trykk deretter på tasten for å aktivere:



2. Bruk pil opp og ned for å utheve en frekvens for å tilsvare den som brukes i sonden eller på linjesenderen, og trykk deretter på valgtasten for å merke av boksen. Se Menyvalg for referanse. Trykk på meny-tasten for å gå tilbake til hovedskjermen.





⚠ ADVARSEL

Påse at valgt frekvens tilsvarer ønsket bruk. 512 og 33 er tilgjengelig som sonde- OG linjeavsøkingsfrekvens. Bruk av sondefrekvens for linjeavsøking og motsatt kan føre til at Scout viser feil dybdeinformasjon.

- Trykk på sonde/avsøke/frekvens-modustasten for å gå gjennom de aktiverte frekvensene og modusene. Legg merke til ikonene på skjermen for å se hvilken modus Scout er i.



- Hvis dybde, automatisk bakgrunnslys eller LCD-kontrast må justeres, uthev valget i verktøydelen i menyen og foreta endringene med valgtasten.



5.1 Menyvalg

Sondemodusfrekvenser		512 Hz 640 Hz 874 Hz 33 Hz
Modusfrekvenser for linjeavsøking		50 Hz (passiv) 60 Hz (passiv) 512 Hz 8 kHz 33 kHz
Verktøymeny		Fot/Meter Automatisk bakgrunnslys LCD-kontrast

5.2 Scouts lyder

Lyden gjelder sterkere eller svakere signalstyrke. Den stiger i høyde og volum når signalet øker, eller synker når signalet svekkes. Når signalet blir sterkere, stiger det trinnvis bare i høyde og volum for å hjelpe operatøren med å nå maksimum signalstyrke. Hvis signalstyrken svekkes, går lyden ned til en grunntremulering som om enheten ikke registrerer noe signal. Scout har en automatisk forsterkningsgrad. Når forsterkningsgraden går opp eller ned et trinn, tilbakestilles lyden til høyere eller lavere intensitet. Juster lydvolument ved å trykke på lyd-tasten.



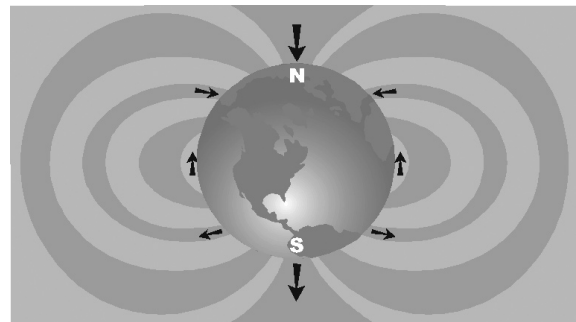
Volumet justeres med hvert enkelt trykk på lyd-tasten, eller med pil opp eller pil ned. Trykk på valgtasten for å avslutte denne skjermen.



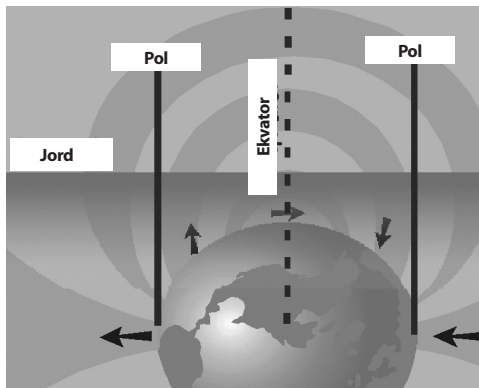
MERK Trykk på valgtasten ved normal drift for å sentrere høyden til middels nivå.

5.3 Oversikt – Forstå sondene og Scout

Sonder (kalles også sendere, radiosendere eller aktive kanalsonder) avgir et elektromagnetisk felt som er svært lik det magnetiske feltet som jorden avgir.



Faktisk ville jordens magnetiske felt ligne mye på feltet fra en sonde om jorden ble vendt 90 grader til siden. Som en posisjonsindikator, kan Scout måle formen (vinkelen) til feltlinjer fra en sonde og identifisere tydelige særtrekk fra disse linjene. Tre viktige særtrekk er de to **POLENE** og **EKVATOR**. Ved polene er signalvinkelen 90 grader (loddrett). Ved ekvator er den 0 grader (vannrett). Polene er tydelige punkter i rommet, mens ekvator omslutter sonden fullstendig. Ettersom disse tydelige særtrekkene er konstante, kan de brukes til å identifisere sondens posisjon.



Poler forekommer normalt der vanlige posisjonsindikatorer opplever **nuller**, eller dødpunkter som forekommer når signalet går forbi antennene loddrett. Forskjellen er at Scout kan "se" polene (nullene) og vise deg hvor de er, **selv når du ikke er direkte over dem, og uavhengig av hvordan Scouts antenner er innrettet i forhold til signalet.**

Dette er en av grunnene til at det er så mye enklere å lokalisere med Scout enn med vanlige posisjonsindikatorer.

Sonden befinner seg ved punktet hvor ekvator er midt mellom de to polene.

5.4 Lokalisere sonden

Scout kan brukes til å lokalisere signalet til en sonde (sender) i et rør, slik at dens plassering kan identifiseres over bakken. Sonder kan plasseres ved et problem punkt i røret ved hjelp av et kamera, en støtstang eller en kabel. De kan også skylles ned i røret.

Følgende forutsetter at sonden befinner seg i et vannrett rør, at bakken er tilnærmet plan og at Scout holdes med antennemasten loddrett.

VIKTIG Signalstyrke er nøkkelfaktoren når det gjelder å bestemme sondens plassering. Vær nøye med å **MAKSIMERE** signalstyrken før du markerer at det skal graves i et område.

5.4.1 Ved lokalisering av en sonde, sett opp lokaliseringen på følgende måte:

- Før du plasserer sonden i linjen, bruk Scout til å kontrollere at den er i drift og at Scout mottar signalet fra den.
- Når sonden er i posisjon og sender, aktiver sonden og tilsvarende samme frekvens som sonden på Scout. Påse at Scout viser sondemodusikon

⚠ ADVARSEL

Påse at valgt frekvens tilsvarer ønsket bruk. 512 og 33 er tilgjengelig som sonde- OG linjeavspøkingsfrekvens. Bruk av sondefrekvens for linjeavspøking og motsatt kan føre til at Scout viser feil dybdeinformasjon.

- Gå til den antatte sondeposisjonen. Hvis retningen på røret er ukjent, skyver du sonden et kort stykke inn i røret (~5 m fra tilgangspunktet er et godt utgangspunkt).

5.4.2 Deretter bruker du en av følgende metoder til å lokalisere sonden:

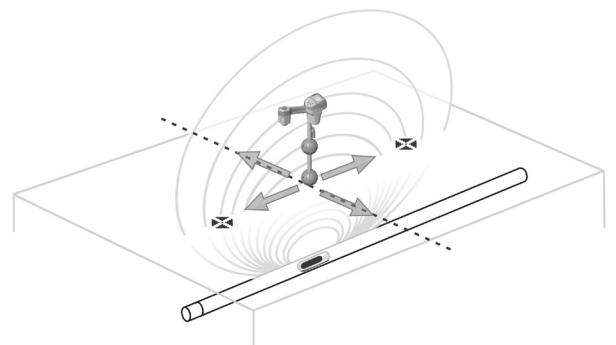
Metode 1 – Maksimer signalstyrken

1. Hold Scout slik at antennemasten peker bort fra kroppen. Sveip antennemasten i antatt retning av sonden mens du holder øye med signalstyrken og lytter til lyden. Signalet vil være høyest når antennemasten peker mot sonden.
2. Senk Scout til normal driftsposisjon (antennemasten loddrett) og gå i retning av sonden. Når du nærmer deg sonden, vil signalstyrken øke og lydens tonehøyde stige. Bruk signalstyrken og lyden til å **maksimere signalet.**



3. Når maksimum er nådd, plasser Scout nær bakken over toppen og beveg den i alle retninger for å kontrollere at signalet svekkes.

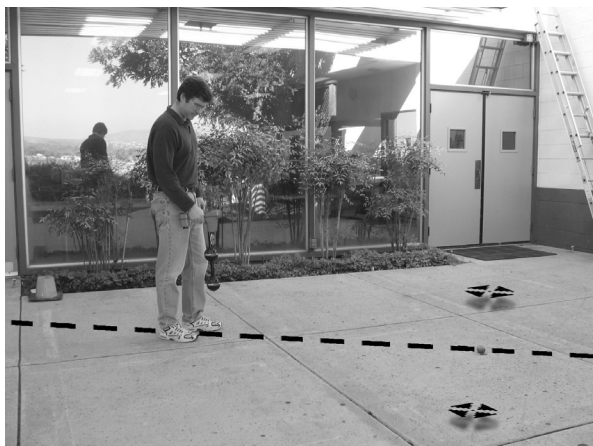
MERK Det høyeste signalet teller: Ekvatorlinjen kan være i en annen posisjon enn det høyeste signalet hvis sonden er skråstilt (se delen skråstilt sonde).



Metode 2 – Følg ekvator og maksimer

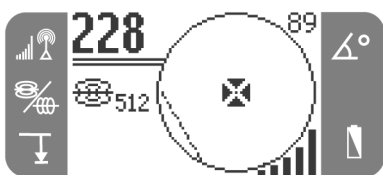
1. Fungerer best i uhindrede, åpne områder, **når sonden forventes å være vannrett.** Sveip antennemasten og gå i retningen til maksimum signalstyrke som i metode 1.
2. Når Scout viser en stabil ekvatorlinje midt på skjermen, følger du den mot høyere signalstyrke. Når maksimum signalstyrke er nådd, flytt Scout langs ekvator **og i alle** retninger for å påse at den er på toppen.

Når sonden er skråstilt, påse at du finner maksimum signal da det vil være posisjonen til sonden.



Bekreft lokaliseringen.

1. Ved maksimum signalstyrke, og med loddrett antennemast, flytt Scout vinkelrett mot ekvatorlinjen på skjermen. Når polikonet vises, flytt Scout til polikonet er sentrert på trådkorset **med nedre dipolantenne** på bakken. Plasser én av de oransje trekantmarkørene på bakken på dette punktet.



Visning når Scout er på polen.

2. Flytt Scout tilbake langs ekvatorlinjen til den andre polen. Sentrer trådkorset på det andre polikonet og marker dets posisjon som før.
3. Flytt tilbake til **maksimum signalstyrke**. Marker dette punktet på bakken med den gule sekskantmarkørbrikken. Flytt den nedre dipolantennen bort fra den gule markøren i alle retninger mens du observerer signalstyrkevisningen. Signalstyrken skal være høyest rett over sonden.
4. Se etter for å kontrollere at de tre markørene er innrettet og at den gule sekskantmarkøren er omtrent halvveis mellom polmarkørene.

Hvis den gule markøren ikke er i midten, se delen om skråstilt sonde.

VIKTIG Husk: Det at du står på ekvator betyr IKKE at du befinner deg over sonden! Ikke glem at signalstyrke er nøkkelfaktoren når det gjelder å bestemme sondens beliggenhet. Du må befinne deg på punktet med høyest signalstyrke. Bruk vateret for størst nøyaktighet. Antennemasten MÅ være loddrett når du markerer polene og ekvator, ellers blir lokaliseringen feil!

5.5 Måle dybde

Scout måler dybde ved å sammenligne styrken til signalet i nederste antenne med signalet i øverste antenne.

Dybden måles når nederste antenne berører bakken rett over signalkilden.

1. For å måle dybden plasserer du posisjonsindikatoren på bakken, rett over sonden eller linjen. Påse at vinkelindikatoren leser fem grader eller

mindre. Deretter dreier du enheten langsomt i retningen til pilen som vises **nederst til venstre** på skjermen til dybden vises.



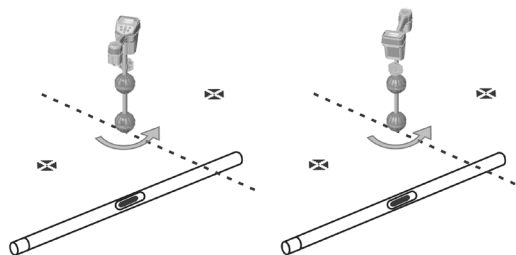
Vateret er nyttig ved måling av dybde for å påse at antennemasten er loddrett. Scout må dreies for å innrette antennen med signalet for å maksimere signalet og oppnå en mer nøyaktig dybdeavlesning.

2. Dybde vises i det nederste venstre hjørnet.



3. **Forsere dybdemåling** – Hvis vinkleindikatoren leser høyere enn fem grader vil ikke Scout utføre dybdemåling. Trykk på pil ned-tasten og hold inne. Dette vil forsere dybden hvis dybden ikke kan måles (se følgende del på skråstilt sonde).

Når du kontrollerer dybden, ta alltid en måling, drei Scout 180 grader (halvsirkel) og ta en dybdemåling til. Påse at nedre dipol forblir i samme posisjon på bakken og at antennemasten er loddrett. Hvis dybdemålingene ikke er innenfor omtrent 10% av hverandre, har forvrenging oppstått og dybdemålingen er tvilsom.



5.6 Driftstips for å lokalisere en sonde

- Bruk lyden når det er mulig til å veilede Scout til maksimum signalstyrke.
- Hvis ekvator krysses og signalet ikke maksimeres, følg ekvatorlinjen til høyeste signalstyrke. Bare det å finne sondens ekvator (den stiplede linjen på skjermen) indikerer IKKE at sonden er lokalisert. Punktet for maksimal signalstyrke må også finnes. Hvis sonden er bratt skråstilt, vil IKKE ekvator befinne seg rett over sonden, og avstanden fra sonden til hver pol vil ikke være lik. Maksimer signalet hvis sonden er skråstilt.
- Bekreft alltid punktet for maksimum signalstyrke. Bekreft at kartet vises, med mindre du vet med sikkerhet at alle de påkrevde forholdene overholdes. Kartet antar følgende forhold:
 1. Bakken er plan.
 2. Sonden er plan.

3. Scout-posisjonsindikator er over bakkenivå.

4. Scout- posisjonsindikatoren holdes omtrent loddrett, antennemasten peker rett ned.

Hvis disse forholdene ikke overholdes, må du være særlig oppmerksom på maksimering av signalstyrken. Generelt sett, hvis forholdene ovenfor gjelder og hvis Scout er innenfor omtrent to "dybder" av signalkilden, vil kartet være nyttig og nøyaktig. Vær klar over dette når du bruker kartet hvis det du søker etter eller signalkilden ligger svært grunt. Det nyttige søkeområdet for kartet kan være lite hvis sonden ligger ekstremt grunt.

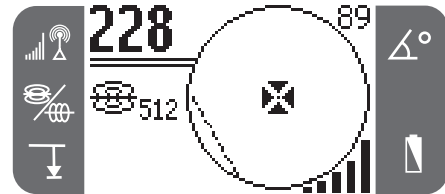
5.7 Skråstilt sonde

Hvis sonden står på skrå, vil en pol flytte seg nærmere sonden og den andre fjerne seg, slik at sondeposisjonen ikke lenger er midt mellom de to polene. Signalstyrken til den nærmeste polen blir mye høyere enn polen som er lengre unna. I et ekstremt tilfelle, når sonden stilles loddrett, flytter en pol

seg til et punkt rett over sonden og denne polen vil også tilsvare punktet for maksimal signalstyrke. Den andre polen vil være usynlig.

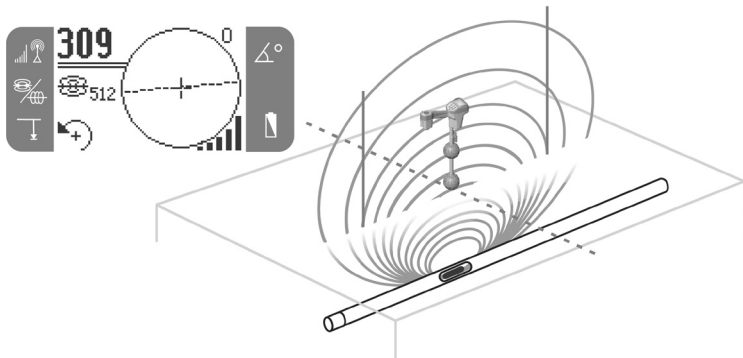
Derfor kan sonden lokaliseres selv når den er loddrett, hvis den f.eks. falt i et brudd på linjen eller i en undergrunnstank.

Det som ses på skjermen er en pol med maksimum signalstyrke når sonden er loddrett.

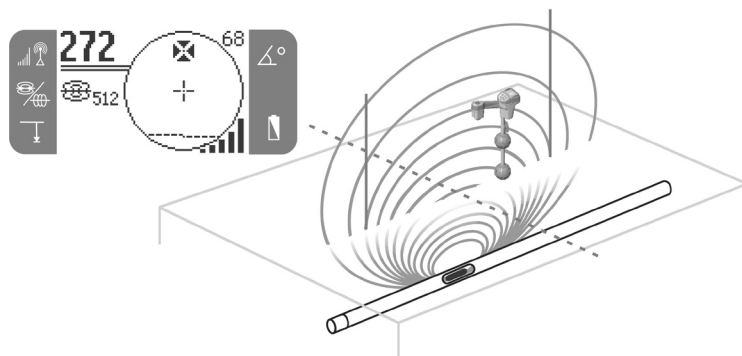


Systemet med flere retningsantenner gjør at dybden kan måles selv når sonden står på skrå. I dette tilfellet må funksjonen forsere dybde brukes for å ta en dybdemåling (se Måle dybde).

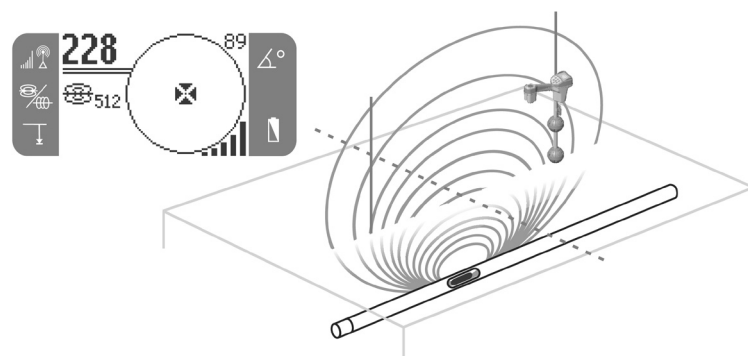
Mikrokart, eksempler, sondemodus



Scout på ekvator



Scout forlater ekvator og nærmer seg polen



Scout på polen

6. Avsøke en linje med Scout

Scout kan også brukes til å avsøke et rør eller en linje slik at bakken over kan markeres. Dette identifiserer linjens lokasjon slik at den kan unngås ved graving eller graves frem for reparasjon eller utskifting. Scout kan lokalisere strømsatte linjer med en rekke frekvenser eller den kan brukes passivt til å utføre et sveip for å finne lange ledere som bærer signaler. Underjordiske linjer strømsettes med en linjesender. Dette aktive signalet avsøkes deretter med en mottaker som f.eks. Scout.

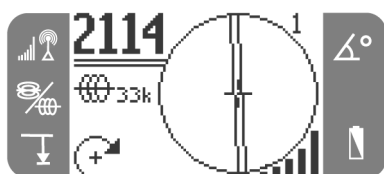
1. Fest linjesenderen til linjen ifølge produsentens instruksjoner.

En sender er et generisk navn som brukes for alt som generer et lokaliserbart signal. Den brukes til å beskrive en sonde samt enheten som brukes til å strømsette en kabel eller et rør.

2. Tilsvar frekvensen som brukes på senderen med samme frekvens på Scout. Pass på at den har et linjeavsøkingsikon ~. Trykk på hovedmenyknappen for å gå tilbake til lokaliseringsskjermen.



3. Når du begynner å avsøke, anbefales det at signalstyrken observeres først for å se om den svekkes etter hvert som Scout flyttes bort. Rett antennemasten mot lederne eller selve senderen ved bruk av induktiv modus. Over linjen skal den nå toppunktet og svekkes på begge sider av den. Hvis signalstyrken og linjene på skjermen IKKE stemmer overens, kan signalet være forvrengt.
4. Når du avsøker, viser retningen røret eller kabelen går i, på skjermen med to uavbrutte linjer. Vis linjene holder seg på midten, indikerer det at Scout avsøker linjen under bakken. Hvis linjen beveger seg til venstre eller høyre, flytt Scout for å få linjen tilbake i midten. Signalet fra en linje er sterkest rett over denne linjen. Hvis det ikke er tilfelle, har forvrengning oppstått.



MERK Ved linjeavsøkingsfrekvens er det to linjer på skjermen. Ved sondefrekvens er ekvator én enkelt linje.

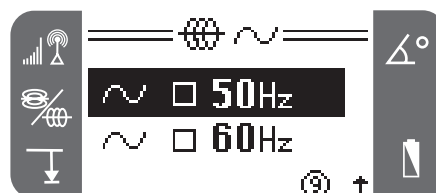
FORSIKTIG Se nøye etter for signalinterferens som kan gi unøyaktige avlesninger. Dybdeavlesninger må tas som anslag, og faktiske dybder bør bekreftes ved å eksponere linjen før gravingen begynner.

5. Når du begynner å avsøke, anbefales det at signalstyrken observeres først for å se om den svekkes etter hvert som Scout flyttes bort. Rett antennemasten mot lederne eller selve senderen ved bruk av induktiv modus. Over linjen skal den nå toppunktet og svekkes på begge sider av den. Hvis signalstyrken og linjene på skjermen IKKE stemmer overens, kan signalet være forvrengt.

6.1 Avsøke en passiv strømlinje

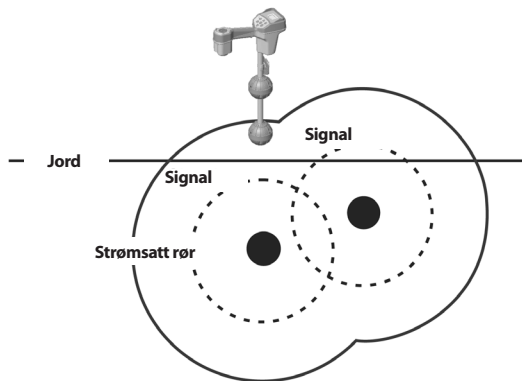
I passiv modus registrerer Scout vekselstrøm, eller AC-felt. Nedgravede strømlinjer avgir vanligvis ikke noe avsøkbart signal med mindre det går strøm gjennom dem. For eksempel kan gatelys som er slått av være vanskelig å avsøke passivt.

1. Velg en passiv AC-avsøkingsfrekvens med passivt linjeavsøkingsikon ~.
2. Scout har to (2) passive AC-avsøkingsfrekvenser som standard. 50 Hz og 60 Hz.

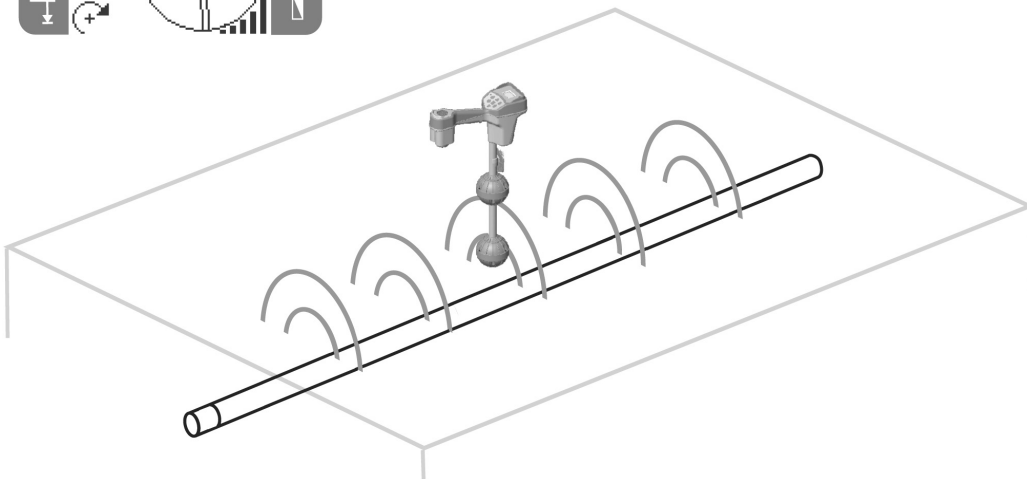
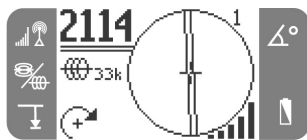


6.2 Driftstips for linjeavsøking

- **Forvrenging har oppstått når linjene ikke er sentrert på kartet, men signalstyrken er maksimert.**
 - a. Prøv å endre til en lavere frekvens.
 - b. Flytt grunnstolpens posisjon bort fra linjen som skal avsøkes.
 - c. Kontroller at linjen ikke er knyttet til et annet anlegg samtidig.
 - Hvis linjene ikke sentreres eller hvis de flytter seg tilfeldig over skjermen, er det mulig at Scout ikke får inn et klart signal.
 - a. Kontroller senderen for å påse at den fungerer og er godt jordet.
 - b. Test kretsen ved å peke den nederste antennen mot en av senderens tilførselsledninger.
 - c. Kontroller at Scout og senderen opererer på samme frekvens frekvens.
 - d. Prøv forskjellige frekvenser. Start med den laveste og fortsett til linjen fanges opp på pålitelig vis.
 - Strømmen strømmer best fra de minste til de største linjene (minst motstand). Et eksempel ville være å avsøke et rør fra huset til gaten.
 - Mens du avsøker, skal signalet og signalstyrken maksimeres og dybden minimeres der linjene sentreres på skjermen. Hvis dette ikke er tilfellet, kan anlegget skifte retning, eller andre koblede signaler kan finnes.
 - Høyere frekvenser lekker lettere, men kan være nødvendige for å komme forbi brudd på avsøkingsledninger eller forbigå isoleringskopplere.
 - Ved induktiv bruk av senderen, påse at du begynner lokaliseringen 10 - 15 m unna for å unngå "luftkopling". Dette skjer når Scout plukker opp signalet fra senderen direkte og ikke fra linjen som skal avsøkes.
- Hvis linjene ikke sentreres, eller hvis de flytter seg tilfeldig over skjermen, er det mulig at Scout ikke får inn et klart signal.
- a. Bakken er plan.
 - b. Linjen er plan.
 - c. Scout-posisjonsindikator er over bakkenivå.
 - d. Scouts antennemast holdes tilnærmet loddrett.
- Hvis disse forholdene ikke overholdes, må du være særlig oppmerksom på maksimering av signalstyrken. Generelt sett, hvis Scout er innenfor omtrent to "dybder" av signalkilden, vil kartet være nyttig og nøyaktig. Vær klar over dette når du bruker mikrokartet hvis det du søker etter eller linjen ligger svært grunt. Det nyttige søkeområdet i mikrokartet kan være lite hvis sonden ligger ekstremt grunt.



Mikrokart, eksempel, linjeavspøking



7. Verktøymeny

7.1 Endre dybdeenheter

Scout kan endre enhetene den måler dybden i, til enten fot eller meter. Hvis du vil endre disse innstillingene, uthever du dybdeikonet i verktøymenyen og trykker på valgtasten for å veksle mellom fot og meter.



7.2 Automatisk bakgrunnslys

Lave lysnivåer registreres av en lysdetektor som er innbygd i øvre venstre hjørne på tastaturet. Bakgrunnslyset kan forseres på ved at du blokkerer lyset til denne føleren.

Det automatiske LCD-bakgrunnslyset er fabrikkinnstilt til bare å slå seg på under relativt mørke forhold. Dette er for spare batteristrøm. Etter hvert

som batteriene begynner å gå tomme, vil bakgrunnslyset bli mattere. Mot slutten av batterilevetiden fungerer bakgrunnslyset på et svært lavt nivå for å spare batteristrøm.

For å slå av bakgrunnslyset, uthev lyspæreikonet i verktøydelen i menyen og trykk på valgtasten for å veksle mellom Automatisk og AV.



7.2.1 LCD-kontrast

Når dette er uthevet og valgt, kan LCD-kontrast justeres med pil opp og pil ned.



8. Nyttig informasjon

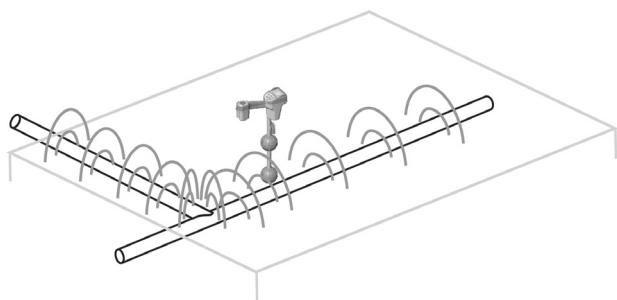
8.1 Signalinterferens

8.1.1 Forvrengte felter

Noen ganger kan et enkelt felt møte på enten metall eller annet toverdig materiale i bakken som kan forvrengte feltlinjene. Det kan være et annet anlegg, nedgravd skrap eller gamle ubrukte linjer som kan shunte eller forkorte feltlinjene. I dette tilfellet kan Scout vise et svakere signal rundt gjenstanden og et sterkere signal rett over det. Gjenstanden kan opptre som en linse som forsterker eller svekker signalets upålitelighet.

8.1.2 Komposittfelter

Komposittfelter er også en mulighet. Når et felt møter et annet, kan de to eller flere, skape et sterkere signal. Det er viktig for operatører å forstå dette med T-er eller rette vinkler i linjen, hvor komposittfelter ofte oppstår.



Komposittfelt vist rundt en tilkopling i linjen.

8.1.3 Støy

Interferenssignaler (støy) er simpelthen en del av utfordringen med lokalisering. Interferens kan enten være på samme frekvens som den som brukes, eller den kan være "utenfor båndet" i andre frekvenser. Noen av de største interferenssignalene genereres av utstyr for strømovertøring. Netttransformatorer, store elektriske motorer eller generatorer og linjer kan være kilder for svært store støysignaler. Områder med spesielt mye interferens bør om mulig unngås.

Hvis vinkelvisningen er ustabil og ustødig, og/eller hvis signalnivåene ikke er stødige, er dette en god indikasjon på enten intet tilstedeværende målgjenstandssignal (sonde eller strømsatt linje) eller et høyt nivå av interferensstøy.

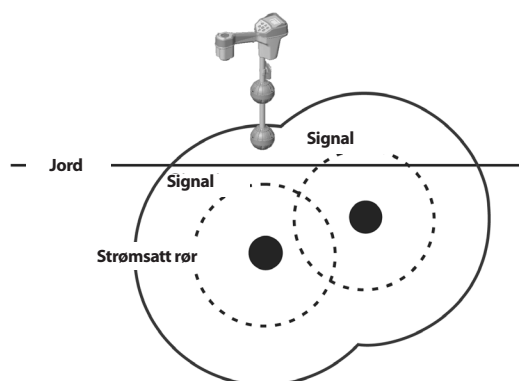
8.2 Merknader om nøyaktighet

Målinger av dybde og signalstyrke er avhengige av at Scout mottar et sterkt signal. Husk at Scout brukes over bakken for å føle og avsøke elektromagnetiske felt som kommer fra bakken (elektriske ledere som metallkabler og -rør) eller sonder (radiosendere som sender aktivt). Når feltene er enkle og uten forvrenging, representerer informasjonen fra de registrerte feltene den nedgravde gjenstanden.

Hvis disse feltene er forvrengt, og det er flere felt som påvirker hverandre, vil det føre til at Scout foretar upresis lokalisering. Lokalisering er ikke en nøyaktig vitenskap. Den krever at operatøren må bruke sin dømmekraft og se etter all informasjon som er tilgjengelig i tillegg til det instrumentavlesningene måtte være. Scout gir brukere mer informasjon, men det er opp til operatøren å tolke denne informasjonen riktig. Ingen produsent av posisjonsindikatorer vil hevde at en operatør skal følge informasjonen fra deres instrument alene.

Forhold når lokaliseringnøyaktighet må settes i tvil:

- **Når det foreligger andre kabler eller anlegg.** "Lekking" kan produsere forvrengte felt og belyse kabler eller rør utilsiktet. Bruk lavere frekvenser når det er mulig og eliminer alle tilkoplinger mellom de to linjene.



- **Når du bruker senderen induktivt.** Dette gir linjen et svakt signal. Bruk en direkte tilkopling når det er mulig.
- **Når det foreligger T-er eller delingspunkter på linjen.** Kan forårsake forvrenginger i signalet.
- **Når signalstyrken er lav.** Du må ha et kraftig signal for å få nøyaktig lokalisering.
- **Når bakkeforholdene varierer.** Ekstreme fuktforhold, enten svært tørt eller vannmettet, kan påvirke målingene. For eksempel kan bakken være gjennombløt av saltvann, noe som kan forekomme ved kysten. Dette skjærer signalet betydelig og kan gjøre lokalisering svært vanskelig.

9. Transport og oppbevaring

Før transport må du kontrollere at enheten er slått av for å spare batteristrom. Under transport må du kontrollere at enheten er sikret og ikke spretter omkring eller rammes av løst utstyr.

Scout må oppbevares på et kjølig og tørt sted.

Hvis du skal oppbevare Scout i en lengre periode, bør batteriene fjernes.

10. Installere/bruke tilbehør

Scout leveres også med markører som kan brukes for å markere pol- eller sondeposisjoner over bakken. Det er to (2) røde markører som markerer polene og en (1) gul markør som markerer sonden.

For ytterligere hjelp, kontakt forhandleren eller en RIDGID-representant.

11. Vedlikehold og renhold

▲ ADVARSEL

1. Bruk en fuktig klut og litt mildt rengjøringsmiddel til å rengjøre Scout. Ikke dypp den i vann.
2. Når du gjør apparatet rent, må du ikke bruke skrapende verktøy eller skuremidler, da disse setter skrapemerker på displayet som ikke lar seg fjerne. DU MÅ ALDRI BRUKE LØSEMIDLER til å rengjøre noen del av systemet. Stoffer som aceton og andre skarpe kjemikalier kan føre til at dekslet sprekker.

12. Finne komponenter med feil

For forslag til problemløsning, se veiledningen for feilsøking i slutten av denne håndboken. Hvis nødvendig, kontakt Ridge Tool eller forhandleren for mer informasjon og hjelp.

13. Service og reparasjon

▲ ADVARSEL

Verktøyet skal tas med til et uavhengig RIDGID-autorisert servicesenter.

14. Veiledning for feilsøking

PROBLEM	SANNSYNLIG PLASSERING AV FEIL
Scout låser seg under bruk.	Slå enheten av og så på igjen. Ta ut batteriene hvis enheten ikke vil slå seg av.
Mens du av søker, "hopper" linjene over hele skjermen i mikrokartet.	Dette viser at Scout ikke plukker opp signalet, eller at det foreligger interferens. Kontroller at senderen er godt tilkoplest og jordet. Rett Scout mot begge ledere for å kontrollere at det er en komplett krets. Prøv en høyere frekvens. Prøv å bestemme kilden for eventuell støy og eliminer den.
Linjene "hopper" over hele skjermen mens du lokaliserer en sonde.	Kontroller batteriene i sonden for å se om de fungerer. Bekreft signalet ved å plassere den nederste antennen in nærheten av sonden. Merk – Sonder har problemer med å sende ut signaler gjennom linjer laget av støpejern og smidig jern.
Avstanden mellom sonden og polene er ikke den samme.	Sonden kan stå på skrål, eller det kan være en overgang fra støpejern til plast.
Enheden opptrer underlig, lar seg ikke slå av.	Batteriene kan være i ferd med å gå tomme. Sett inn nye batterier og slå på enheten.
Displayet er helt mørkt eller helt lyst når det slås på.	Prøv å slå enheten av og så på igjen. Juster LCD-skjermens kontrast.
Det kommer ingen lyd.	Juster lydnivået på lydmenyen.
Scout fanger ikke opp signalet.	Kontroller at riktig modus og frekvens er stilt inn.
Scout kan ikke skrur på.	Se om batteriene ligger riktig. Kontroller at batteriene er ladet. Se etter om batterienes kontakter er OK. Enheden kan ha en gått sikring (krever service på fabrikken)

15. Spesifikasjoner

Vekt m/batterier.....	1,4 kg
Vekt u/batterier.....	1 kg
Dimensjoner	
Lengde.....	28,5 cm
Bredde.....	11,0 cm
Høyde.....	56,0 cm
Strømkilde	
4 batterier i C-størrelse, 1,5 V alkalisk (ANSI/NEDA 14 A, IEC LR14) eller 1,2 V NiMH eller NiCad oppladbare batterier	
Nominell effekt: 6 V ved 550 mA	
Driftsmiljø	
Temperatur.....	20 til 50°C
Fuktighet.....	5 til 95% relativ fuktighet
Lagringstemperatur.....	-20 til 60°C
Standardfrekvenser	
Sonde.....	512 Hz, 640 Hz, 874 Hz, 33 kHz
Aktiv linje-avsøking.....	512 Hz, 8 kHz, 33 kHz
Passiv linje-avsøking.....	60 Hz, 50 Hz

Standardinnstillinger

Standardinnstillingene for posisjonsindikatoren er:

- Dybdeenheter = Meter og centimeter
- Volum = 1 (én innstilling over dempet)
- Bakgrunnslys = Auto

Standardutstyr

- Scout-posisjonsindikator
- Markører og masteholder
- 2 Brukerhåndbøker: USA + Europa
- 4 C-celle-batterier (alkaliske)
- Video PAL

Tilleggsutstyr

- Andre pol-/sondemarkører
- NaviTrack-sender
- Induktiv klemme
- Batterisonde
- Drivlegeme

16. Ikonforklaring

DISPLAYIKONER

- Sondefrekvens
 - Frekvens for aktiv avsøking
 - Passiv (AC) avsøkingsfrekvens
 - Lydnivå
 - Batterinivå
 - Dybde
 - Vannrett vinkelindikator
 - Signalstyrke
 - Verktøymeny
 - LCD-kontrast
 - LCD-bakgrunnslys
- ### TASTATURIKONER
- Meny navigering
 - Lydtonetilbakestilling / valg av menyelement
 - Meny navigering / forser dybde (tre sek-trykk)
 - Strøm PÅ/AV
 - Meny-tast
 - Sonde/Avsøke/Frekvens-modustast
 - Volumkontrolltast

HR

NaviTrack Scout Upute za rad

Prijevod originalnih uputa



OPĆE INFORMACIJE O SIGURNOSTI

UPOZORENJE! Pažljivo pročitajte sve priložene upute. Nepoštivanje svih u nastavku navedenih uputa može za posljedicu imati strujni udar, požar i/ili tešku tjelesnu ozljedu.

**PROČITAJTE SADRŽANE INFORMACIJE O SIGURNOSTI.
SAČUVAJTE OVE UPUTE!**

EC Izjava o sukladnosti (890-011-320.10) će biti poslana uz ovu uputu kao zasebna knjižica na zahtjev.

Mjere predostrožnosti za bateriju

- **Upotrebljavajte samo specificiranu veličinu i vrstu baterije. Nemojte miješati razne vrste ćelija (npr. ne upotrebljavajte lužnate s punjivim).** Ne upotrebljavajte istodobno djelomično ispražnjene i do kraja napunjene ćelije (tj. nemojte miješati stare i nove).
- **Ponovno puniti baterije s punjačima koje je naveo proizvođač baterija.** Uporaba neodgovarajućeg punjača može pregrijati i probiti bateriju.
- Pravilno zbrinjavanje baterija. Ne bacajte bateriju u vatru budući da izloženost visokim temperaturama može uzrokovati eksploziju. Način zbrinjavanja baterija zakonski je propisan u nekim državama. Molimo poštuju sve važeće propise.

1. Scout - način uporabe i njega

- **Opremu upotrebljavajte isključivo prema uputama.** Ne radite sa Scout-om dok se ne završi odgovarajuća obuka i pročita priručnik za uporabu.
- **Ne uranjajte antene u vodu.** Pohranite na suhom mjestu. Takve mjere smanjuju rizik od strujnog udara i oštećenja instrumenta.
- **Provjerite ima li slomljenih dijelova i bilo kakvih drugih stanja, koja mogu utjecati na rad Scout-a.** Ako je oštećen, servisirajte instrument prije uporabe. Loše održavanje alata uzrokuje mnoge nesreće.
- **Upotrebljavajte za Scout samo pribor koji preporučuje proizvođač.** Pribor predviđen za rad s jednim instrumentom može postati opasan kada se upotrebljava s drugim.
- **Ručke moraju biti suhe i čiste, na njima ne smije biti ulja i masti. To omogućuje bolji nadzor instrumenta.**
- **Zaštitite od pretjerane topline.** Proizvod treba smjestiti podalje od izvora topline poput radijatora, mjeraca topline, štednjaka ili drugih proizvoda (uključujući pojačala) koji proizvode toplinu.

1.1 Servis

- **Servisiranje dijagnostičkih uređaja smije obavljati samo stručno osoblje.** Servisiranje i održavanje od strane nestručnih osoba može uzrokovati ozljede.

- **Pobrinite se za ispravno čišćenje uređaja.** Izvadite bateriju prije čišćenja. Ne upotrebljavajte tekuća ili aerosolna čistila. Za čišćenje upotrijebite vlažnu krpku.
- **Obavite sigurnosnu provjeru.** Nakon servisiranja i popravaka ovog proizvoda, zamolite servisera da izvrši sigurnosne provjere kako bi potvrdio da je proizvod u ispravnom radnom stanju.
- **Oštećenje proizvoda koje zahtijeva servis.** Ako primijetite neko od sljedećih stanja, izvadite baterije i obratite se osoblju ovlaštenog servisa:
 - ako je u proizvod iscurila tekućina ili su u njega upali strani predmeti.
 - ako proizvod ne radi normalno unatoč pridržavanju uputa za uporabu.
 - ako je proizvod pao ili se oštetio na drugi način.
 - došlo je do osjetnih promjena u radu proizvoda.

U svakoj prepisci navedite sve informacije prikazane na tipskoj pločici vašeg uređaja, uključujući broj modela i serijski broj.

1.2 Važna napomena

Scout je dijagnostički alat koji osjeća elektromagnetska polja koja emitiraju podzemni predmeti. Njegova je namjena pomoći korisniku u lociranju tih predmeta, prepoznavanjem svojstava linija polja te prikazivanjem na zaslonu. Budući da se linije elektromagnetskog polja mogu izobličiti i ispreplitati, važno je potvrditi poziciju podzemnih predmeta prije kopanja.

Može biti više objekata na istom području.

Uvjerite se da slijedite lokalne smjernice.

Izlaganje objekta je jedini način za potvrdu njegovog postojanja, lokacije i dubine.

Ridge Tool Co., njezine podružnice i dobavljači neće snositi nikakvu odgovornost za ozljede ili bilo kakve neposredne, posredne, slučajne ili posljedične štete koje su nastale ili se pojavile zbog uporabe Scout-a. Može biti više objekata na istom području. Uvjerite se da slijedite lokalne smjernice.

2. Uvod u Scout

Scout™ sonda i detektor vodova rabi višesmjernu antenu i naprednu obradu za brzo, precizno i jednostavno lokaliziranje sonde i praćenje podzemnih vodova.

2.1 Koja su njegova jedinstvena svojstva?

Scout-ova napredna tehnologija pruža više jedinstvenih svojstava u odnosu na konvencionalne detektore:

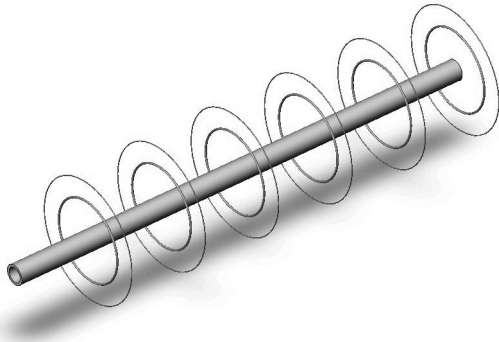
- Sustav višesmjernu antenu.
- Prikaz micro mape.
- Ukazuje na osjetne karakteristike signala.

2.2 Što čini?

Scout se rabi iznad tla da osjeti elektromagnetska polja emitirana iz podzemnih ili skrivenih vodova (električni vodiči nalik metalnim žicama ili cijevima) ili sonde (aktivni prijenos signala). Kada su polja jednostavna i neizobličena, percipirana polja predstavljaju podzemni objekt. Scout detektira provodljive objekte koji emitiraju polje; on ne osjeća neposredno podzemne objekte.

Električna polja koja podzemni objekti emitiraju mogu biti dvaju tipova; prvi tip emitiraju dugi vodiči poput vodova pod naponom, potisni kabeli inspeksijskih kamera ili cijevi.

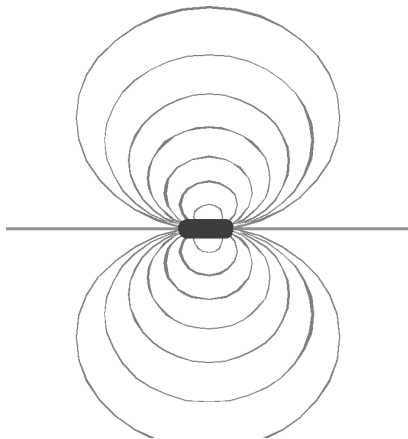
Ti objekti proizvode dugo cilindrično polje i to se često naziva kao traženje "voda".



Polje koje emitira napunjeni vod.

(Pasivno, AC traženje je poseban slučaj, gdje je vod "stavljen pod napon" s električnom snagom.)

Drugi tip, sonde (nazivaju se i odašiljačima, svjetlosnim signalima ili sondama aktivnih kanala) emitiraju drukčije oblikovano polje i Scout je programiran da mjeri i prikazuje ovaj tip polja. Složeniji oblik polja sonde naziva se dipolno polje i isto je kao ono koje proizvodi šipkasti magnet i naš planet Zemlja.



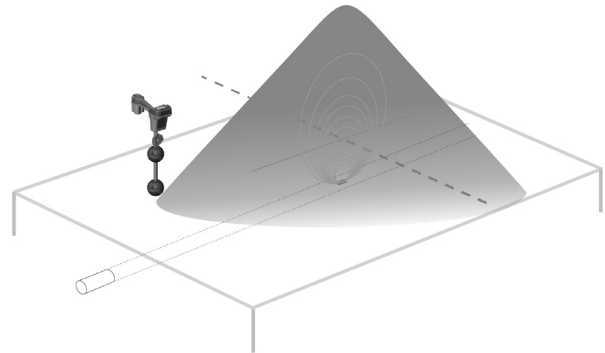
Dipolno polje koje emitira sonda.

Elektromagnetska polja imaju (3) važna svojstva: frekvenciju, jakost i kut (smjer). Za razliku od konvencionalnih detektora koji mogu samo mjeriti jakost u smjeru individualne antene(a), Scout mjeri i jakost signala i kut polja u tri dimenzije (3D9). Poboljšana sposobnost čini prikaz mape mogućim.

Iskusan operater može upotrijebiti tu dodatnu informaciju za ubrzanje procesa lociranja te kao pomoć u razvrstavanju situacija lociranja. S druge strane, povremeni ili novi korisnik može jednostavno locirati koristeći samo jakost signala.

Scout pravilo lociranja #1 jest da broj bude velik! –

Maksimiziranje jakosti signala je ključ, primarna metoda lociranja.



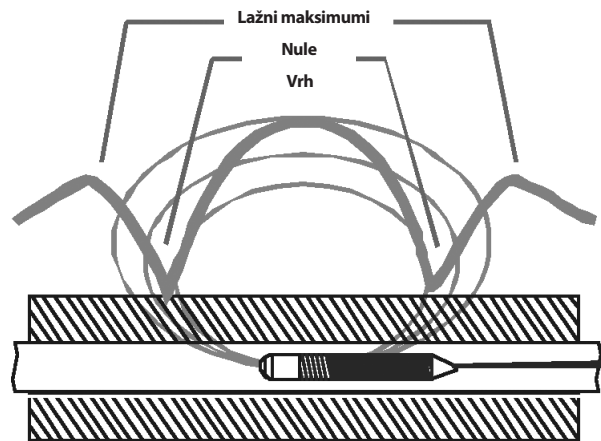
Primjer kako Scout maksimizira neposredno iznad sonde.

Bilo da je riječ o traženju voda ili lociranju sonde, maksimalna jakost signala nastaje iznad mete. Dubina se prikaže kada se nalazi iznad mete.

2.3 Što je Scout višesmjerna prednost?

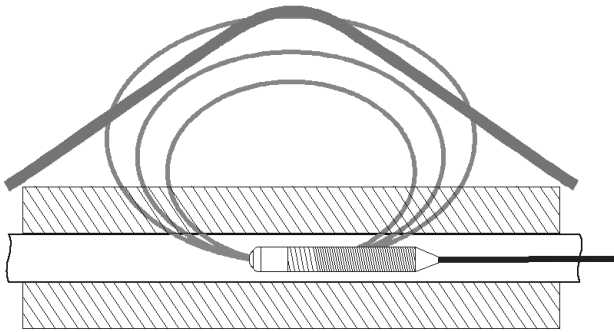
Prikazivanje cijelog signala s višesmjernim antenama nudi određene prednosti:

1. Signal se uvijek pojačava kako se korisnik približava meti.
2. Eliminira nule i "bočne maksimume vrhunaca". Konvencionalni signal detektora ima vršnu vrijednost, potom nulu i manju vršnu vrijednost. To može zbuniti operatera, posebice ako manju vršnu vrijednost interpretira kao cilj (poznat kao "bočni maksimum vrhunca" ili "lažni" maksimumi). Scout vidi samo jednu vršnu vrijednost za vođenje operatera k cilju.



Signal sonde "viđen" konvencionalnim detektorom. Glavna vršna vrijednost je u središtu, a dva lažna maksimuma su sa strane dvije nule.

Vrh



Signal sonde "viđen" Scout-om. Samo jedan maksimum, nema nula.

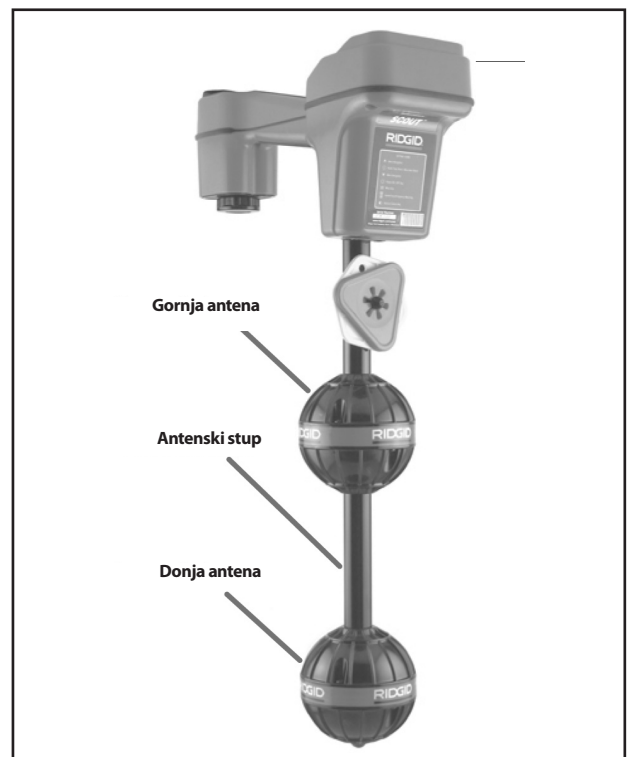
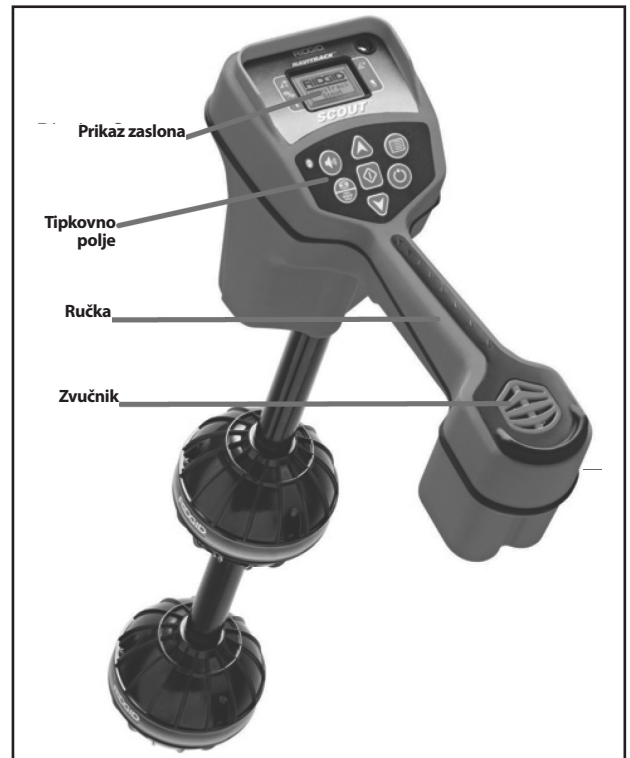
- Način na koji se uređaj drži ne utječe na jakost signala. Korisnik može prilaziti iz svakog smjera i ne mora znati položaj cijevi ili žice.
- Dodatni alati za identificiranje i rješavanje "teških" lociranja sadrže grafičku micro mapu i indikator kuta kao pomoć u interpretiranju svojstava signala.

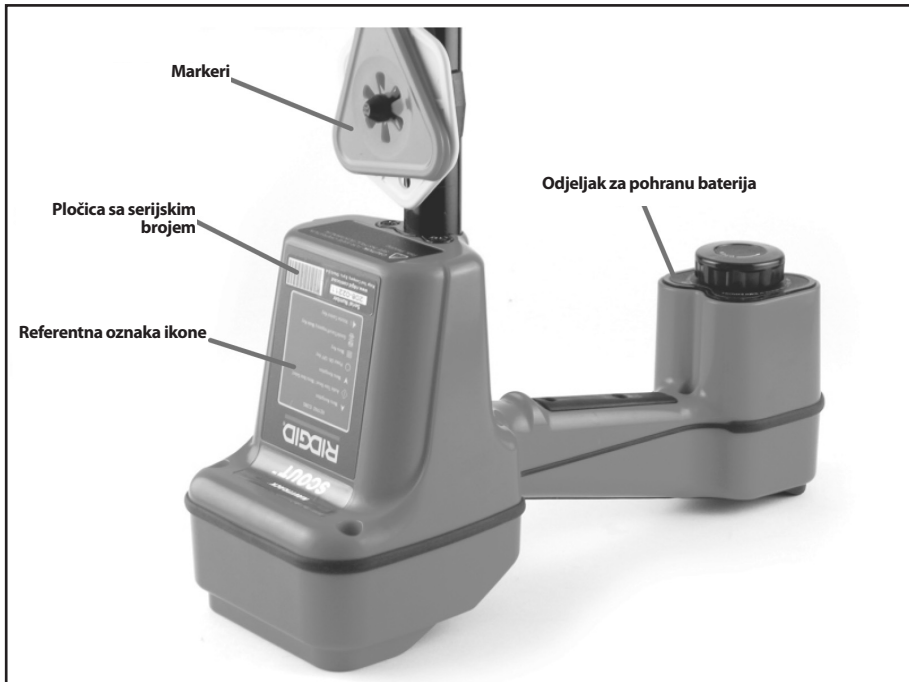
2.4 Što je Micro mapa prednost?

Mapa daje grafičku koja pokazuje svojstva signala. To je prikaz iz ptičje perspektive podzemnog signala, grafički prikazan na zaslonu. On se koristi kao vodič pri traganju za podzemnim vodovima i može se rabiti za bolje određivanje položaja sonde. On također može biti korišten za dobivanje više informacija za složena lociranja.

Pomicanjem detektora iznad tla Scout prelazi preko signala emitiranog podzemnim objektima. To omogućuje korisniku da na zaslonu vidi vizualizacije signala i potom ih obilježi. Konvencionalni detektor ne može mapirati podzemni signal, jer njihove antene ne mogu vidjeti njegov kompletan oblik.

3. Komponente Scout-a

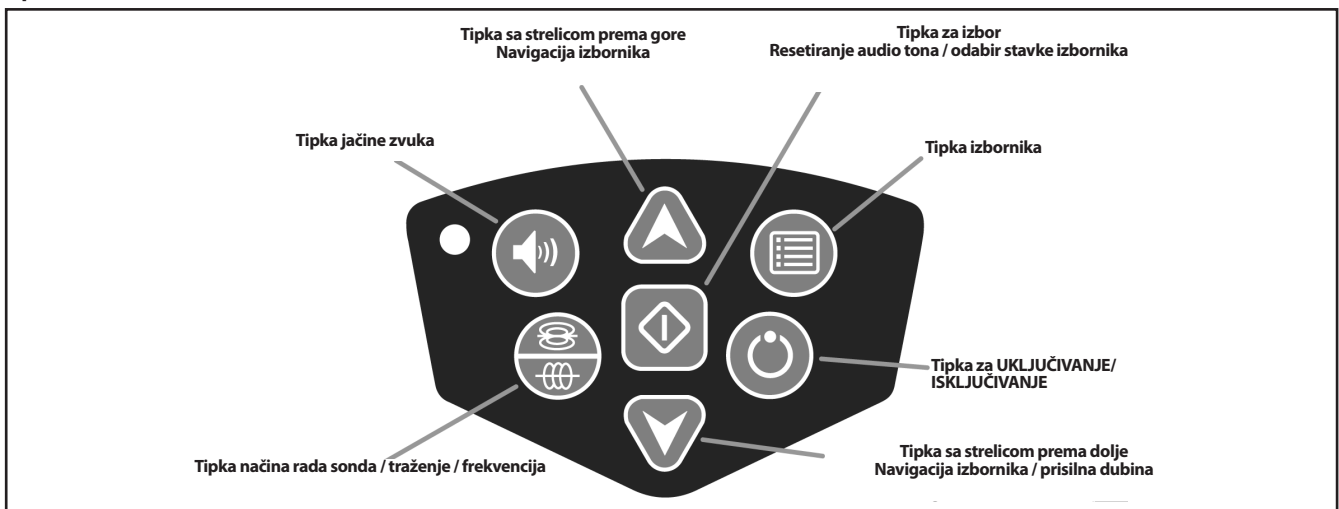




Prikaz zaslona



Tipkovnica



Tipka regulacije glasnoće – otvara i zatvara izbornik razine zvuka.

Tipka načina rada Sonda/Traženje/Frekvencija – prebacuje aktivne frekvencije i funkcije.

Tipka gore – listanje prema gore kroz izbornik.

Tipka za odabir – odabire istaknuti izbor kada je izbornik otvoren.

Tipka dolje – listanje prema dolje kroz izbornik.

Tipka izbornika – otvara/zatvara izbornik.

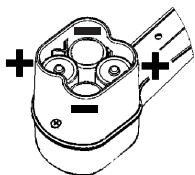
Tipka za UKLJUČIVANJE/ISKLJUČIVANJE – uključuje ili isključuje Scout.

4. Početak rada

4.1 Umetanje/zamjena baterija

Za umetanje baterija u Scout, okrenite uređaj da biste pristupili pretincu za baterije. Okrenite dugme na poklopcu baterija u smjeru suprotno od kretanja kazaljke na satu. Gumb povucite ravno gore za skidanje poklopcu. Umetnite baterije kako je prikazano na unutarnjoj naljepnici i provjerite imaju li puni kontakt.

Postavite vrata u kućište i okrenite gumb u smjeru kazaljke na satu lagano pritišćući da se zatvori. Poklopcu baterija se može instalirati u oba smjera.



Kada je Scout uključen potrebno je nekoliko sekundi za provjeru baterija. Do tada, razina napunjenosti baterija će prikazati poruku "prazne".

⚠ UPOZORENJE


Ne dozvolite da krhotine dospiju u pretinac za baterije. Krhotine u pretincu za baterije mogu prouzročiti kratki spoj kontakata baterija, što vodi do brzog pražnjenja baterija, a to može dovesti do curenja elektrolita ili rizika od požara.

4.2 Vremena rada


Tipična vremena rada za Scout detektor, kad se rabe alkalne baterije, u rasponu je od oko 12 do 24 sata ovisno o čimbenicima poput glasnoće zvuka, te koliko često je pozadinsko osvjjetljenje uključeno. Drugi čimbenici koji utječu na duljinu rada uključuju kemijska svojstva baterije (mnoge nove baterije visokih performansi poput "Duracell® ULTRA" traju 10% - 20% duže od uobičajenih alkalnih baterija u zahtjevnim primjenama). Rad na niskim temperaturama također će smanjiti vijek trajanja baterije.

Za očuvanje vijeka trajanja baterija, Scout će se automatski isključiti nakon 1 sata od zadnjeg pritiska bilo koje tipke. Jednostavno uključite uređaj za nastavak uporabe.

4.3 Uključivanje i isključivanje

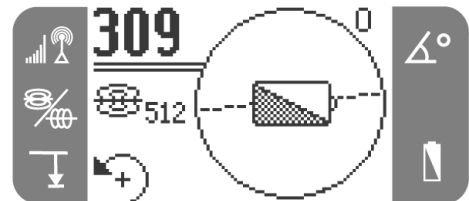
Uključite uređaj pritiskom na tipku Power  na tipkovnici. Prikaze se RIDGID logo, broj verzije softvera pojaviti će se u donjem desnom kutu.



Isključite uređaj pritiskom i puštanjem tipke Power  na tipkovnici. Imajte na umu da postoji kašnjenje od nekoliko sekundi pri uključivanju/isključivanju uređaja.

4.4. Upozorenje na polupraznu bateriju

Kada je razina napona u bateriji niska, ikona baterije pojaviti će se u području mape na zaslonu. To ukazuje na potrebu mijenjanja baterije i da će se uređaj uskoro ugasiti.



Prije potpunog isključivanja postoji neprekidni slijed isključivanja.

U nekim slučajevima napon na punjivim baterijama može tako brzo pasti, da se uređaj samo isključi. Uređaj će se isključiti i ponovno pokrenuti. Samo zamijenite baterije i ponovno uključite jedinicu.

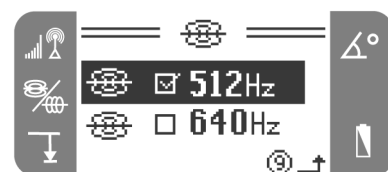
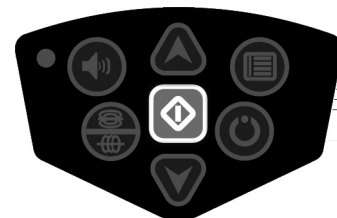
5. Namještanje

Jednom kada je Scout uključen i radi, sljedeći korak je namještanje frekvencija potrebnih za podudaranje s opremom koju treba locirati. Svaka je aktivirana za uporabu birajući ih s popisa u izborniku.

1. Pritisnite tipku izbornika, označite izbor, potom pritisnite tipku za odabir za aktiviranje:



2. Pomoću strelica za gore i dolje istaknite frekvenciju za podudaranje s onom koja se rabi u sondi ili na odašiljaču voda, potom pritisnite tipku za odabir za označavanje polja. Vidi Izbornike kao referencu. Pritisnite tipku izbornika za povratak na glavni zaslon.



⚠ UPOZORENJE

Uvjerite se da se odabrana frekvencija podudara sa željenom uporabom. 512 i 33 su na raspolaganju kao frekvencija traženja sonde i voda. Uporaba frekvencije sonde za traženje voda ili obrnuto može uzrokovati da Scout prikaže netočne informacije o dubini.

- Sada pritisnite tipku za način rada sonda/traženje/frekvencija za prolazak kroz aktivirane frekvencije i načine rada. Obratite pozornost na ikone na zaslonu da biste vidjeli u kojem načinu rada Scout radi.



- Ako se treba namjestiti dubina, automatsko pozadinsko osvjetljenje ili LCD kontrast, istaknite odabir u dijelu alati u izborniku i napravite promjene uporabom tipke za odabir.



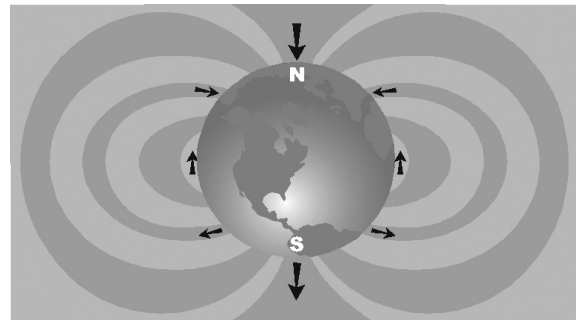
Glasnoća će se pomicati sa svakim pritiskom na tipku ili se strelice za gore i dolje mogu također upotrijebiti za namještanje glasnoće. Pritisnite tipku za odabir za napuštanje ovog zaslona.



NAPOMENA Pritiskanje tipke za odabir tijekom normalnog rada centrirat će visinu tona na srednju razinu.

5.3 Pregled - razumijevanje sonde i Scout-a

Sonde (nazivaju se i odašiljačima, svjetlosnim signalima ili sondama aktivnih kanala) emitiraju elektromagnetsko polje vrlo slično magnetskom polju koje stvar Zemlja.



Zapravo, ako bi Zemlja bila okrenuta na stranu, njezino magnetno polje izgledalo bi umnogome kao polje od sonde.

Kao detektor, Scout može mjeriti oblik (kut) linija polja od sonde i identificirati jasne karakteristike tih linija. Tri važne karakteristike su dva **POLA** i **EKVATOR**. Na polovima kut signala iznosi 90 stupnjeva (okomito). Na ekvatoru je 0 (vodoravno). Polovi su jasne točke u prostoru, dok ekvator potpuno omotava sondu. Budući da su te jasne karakteristike konstantne, one se mogu uporabiti za precizno određivanje lokacije sonde.

5.1 Opcije izbornika

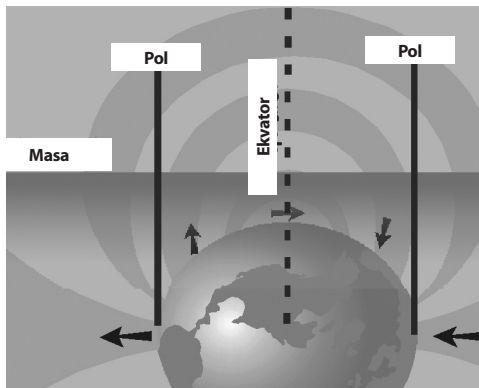
Frekvencije načina sondiranja		512 Hz 640 Hz 874 Hz 33 Hz
Frekvencije načina traženja vodova		50 Hz (pasivno) 60 Hz (pasivno) 512 Hz 8 kHz 33 kHz
Alatni izbornik		Stopa, metri Automatsko pozadinsko osvjetljenje Kontrast LCD zaslona

5.2 Zvukovi Scout-a

Zvuk je povezan s porastom ili smanjenjem jakosti signala. Visina tona i glasnoća će se povisiti s porastom signala ili smanjiti kada se signal smanjuje. Kako signal raste, on će pojačati visinu tona i glasnoću da pomogne operateru doći do maksimalne jakosti signala. Ako jakost signala padne, zvuk se vraća na osnovni tremolo kao da nije ni vidio signal.

Scout posjeduje automatsko pojačanje. Ako se pojačanje pomakne korak prema gore ili dolje, zvuk će se resetirati na veći ili manji intenzitet.

Namjestite glasnoću pritiskanjem tipke za zvuk.



Polovi se obično pojavljuju gdje bi konvencionalni detektori pokazali "nule", mrtve točke koje nastaju kada signal prođe kroz njihove antene okomito. Razlika je što Scout može "vidjeti" polove ("nule") i prikazati Vam gdje se nalaze, **čak i kad niste neposredno iznad njih i nema veze koliko Scout-ovih antena su poravnate sa signalom.**

To je jedan razlog zašto je lociranje sa Scout-om toliko jednostavnije od konvencionalnih detektora.

Sonda je locirana na točki gdje ekvator prolazi neposredno između dvaju polova.


5.4 Lociranje sonde

Scout se može rabiti za lociranje signala sonde (odašiljača) u cijevi, tako da se njegov položaj može identificirati iznad tla. Sonde se mogu smjestiti na problematičnoj točki u cijevi koristeći kameru, potisnu šipku ili kabel. One se također mogu ispratiti niz cijev.

Sljedeće pretpostavlja da je sonda u vodoravnoj cijevi, tlo je približno ravno, a Scout se drži s antenskim stupom u okomitom položaju.

VAŽNO Jakost signala je ključni čimbenik u određivanju položaja sonde. Za osiguranje precizne lokacije MORATE paziti da maksimizirate jakost signala prije označavanja prostora za iskopavanje.

5.4.1 Kada locirate sondu namjestite lociranje na sljedeći način

- **Prije** umetanja sonde u vod upotrijebite Scout da biste osigurali da radi te da Scout prima svoj signal.
- Kada se sonda nalazi u poziciji i odašilje, aktivirajte sondu i uskladite istu frekvenciju kao sonda na Scout-u. Osigurajte da ima ikonu načina sondiranja .

⚠ UPOZORENJE

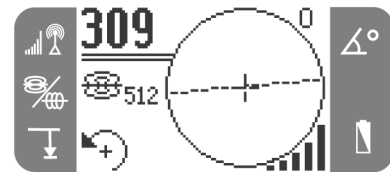
Uvjerite se da se odabrana frekvencija podudara sa željenom uporabom. 512 i 33 su na raspolaganju kao frekvencija traženja sonde I voda. Uporaba frekvencije sonde za traženje voda ili obrnuto može uzrokovati da Scout prikaže netočne informacije o dubini.

- Otiđite do pretpostavljene lokacije sonde. Ako je smjer cijevi nepoznat, gurnite sondu na kraću udaljenost u vod (~5 m od pristupa je dobra polazišna točka).

5.4.2 Potom upotrijebite jednu od sljedećih metoda za lociranje sonde:

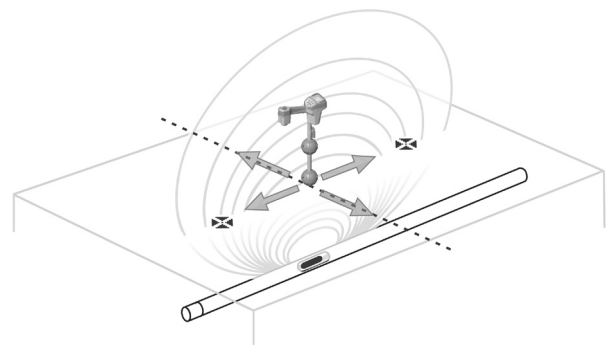
Metoda 1 - maksimiziranje jakosti signala

1. Držite Scout tako da je stup udaljen od Vašeg tijela. Prijedite stupom u pretpostavljenom smjeru sonde promatrajući jakost signala i slušajući zvuk. Signal će biti najviši kada stup pokazuje na sondu.
2. Spustite Scout u normalni radni položaj (stup je okomito) i hodajte u smjeru sondu. Dok prilazite sondi, jakost signala će se povećati, a audio ton će se povisiti. Upotrebljavajte jakost signala i zvuk da **maksimizirate signal.**



3. Kada je maksimum pronađen, namjestite Scout blizu tla iznad maksimuma i pomaknite ga u svim pravcima da biste osigurali da signal pada.

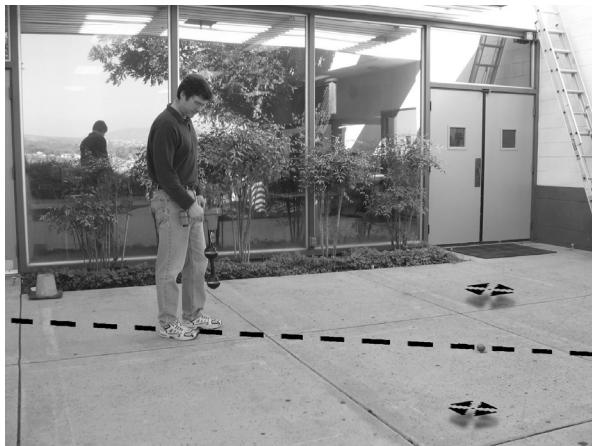
NAPOMENA Najviši signal se broji, linija ekvatora može biti na različitoj poziciji od najvišeg signala, ako je sonda nagnuta (vidi poglavlje nagnute sonde).



Metoda 2 - Slijedite ekvator - potom maksimizirajte

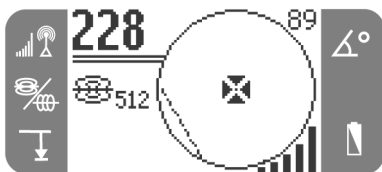
1. Radi najbolje u neometanim, otvorenim prostorima, **kad se očekuje da sonda bude vodoravna.** Prijedite stupom i zatim hodajte u smjeru maksimalne jakosti signala kao u metodi 1.
2. Kada Scout prikaže postojanu liniju ekvatora centriranu na zaslonu, slijedite ju prema rastućoj jakosti signala. Kad je maksimalna jakost signala ostvarena, pomikite Scout duž ekvatora **te u svim pravcima** kako biste se uvjerali da je na vršnoj vrijednosti.

Ako je sonda nagnuta, osigurajte da nađete maksimalni signal, jer je to mjesto gdje će sonda biti.



Provjera lociranja.

1. Na točki maksimalne jakosti signala i s okomitim stupom pomaknite Scout okomito prema liniji ekvatora na zaslonu. Kada se ikona pola prikaže pomičite Scout dok ikona pola ne bude centrirana na nitnom križu **s kuglom donje antene** na tlu. Postavite jednu od trokutastih narančastih oznaka na tlo na tu točku.



Prikaz kada je Scout na polu.

2. Pomaknite Scout natrag preko linije ekvatora do drugog pola. Centrirajte nitni križ na ikonu drugog pola i označite njegovu poziciju kao i prethodno.
3. Vratite se natrag do **maksimalne jakosti signala**. Obilježite tu točku na tlu sa žutim šesterokutnim markerom. Pomičite kuglu donje antene polako od žute oznake u svim pravcima prateći prikaz jakosti signala. Jakost signala treba biti najviša neposredno iznad sonde.
4. Pokušajte da sve tri oznake budu poravnate i da je žuta šesterokutna oznaka otprilike na pola puta između oznaka polova.

Ako žuta oznaka nije u sredini, pogledajte poglavlje o nagnutim sondama.

VAŽNO Biti na ekvatoru NE znači da ste iznad sonde! Upamtite da je jakost signala ključni čimbenik u lociranju sonde. Morate biti na točki najviše jakosti signala.

Za najbolju preciznost rabite cijevnu libelu. Stup MORA biti okomit kada se označavaju polovi i ekvator ili će njihove lokacije biti netočne.

5.5 Mjerenje dubine

Scout mjeri dubinu usporedbom jakosti signala na donjoj anteni prema gornjoj anteni.

Dubina je izmjerena kada donja antena dodiruje tlo neposredno iznad izvora signala.

1. Za mjerenje dubine postavite detektor na tlo neposredno iznad sonde ili voda. Osigurajte da indikator kuta očitava 5 stupnjeva ili manje.

Potom polako okrećite uređaj u smjeru strelice prikazane **dolje lijevo** na zaslonu, dok se dubina ne pojavi.



Cijevna libela je korisna pri mjerenju dubine radi osiguranja da je antenski stup okomit.

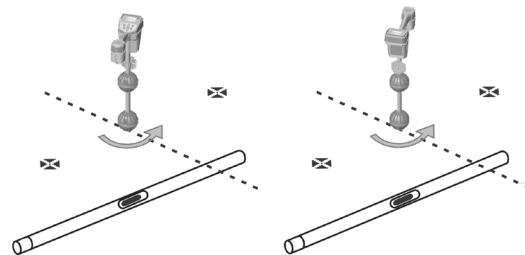
Za maksimiziranje signala i postizanje preciznijeg očitavanja dubine Scout treba biti okrenut da se poravna antena sa signalom.

2. Dubina će biti prikazana u donjem lijevom kutu.



3. **Svojestvo prisilne dubine** - Ako indikator kuta očitava više od 5 stupnjeva, tada Scout neće dati mjerenje dubine. Pritisnite tipku sa strelicom dolje i držite ju. To će prisiliti dubinu, ako se dubina ne može izmjeriti (vidi sljedeći odlomak o nagnutim sondama).

Kada proveravate dubine, uvijek izmjerite, potom okrenite Scout 180 stupnjeva (1/2 kruga) i napravite drugo mjerenje dubine. Uvjerite se da donja kugla ostaje na istoj poziciji na tlu i da je stup okomit. Ako očitavanja dubine nisu međusobno unutar pribl. 10%, onda postoji distorzija i mjerenje dubine je upitno.



5.6 Praktični savjeti za lociraje sonde

- Rabite sondu kada je moguće za pomoć u vođenju Scout-a do maksimalne jakosti signala.
- Ako je ekvator prijeđen, a signal nije maksimiziran, pratite ekvator do najviše jakosti signala. Jednostavan pronalazak ekvatora sonde (isprekidana crta na zaslonu) NE ukazuje da je sonda pronađena. Točka najviše jakosti signala mora također biti pronađena. Ako je sonda okomito nagnuta, ekvator NEĆE biti neposredno iznad sonde i razmak od sonde do svakog pola neće biti jednak. Ako je sonda nagnuta, maksimizirajte signal.
- Uvijek potvrdite točku maksimalne jakosti signala. Potvrdite što mapa prikazuje, osim ako je poznata činjenica da su svi potrebni uvjeti ispunjeni. Mapa pretpostavlja sljedeća stanja:
 1. Tlo je ravno.
 2. Sonda je ravna.

3. Scout detektor je iznad razine tla.
4. Scout detektor se drži otprilike okomito, antenski stup pokazuje ravno prema dolje.

Ako ovi uvjeti nisu ispunjeni, obratite posebnu pozornost na maksimiziranje jakosti signala. Općenito, ako su gornji uvjeti točni i ako je Scout unutar oko dvije "dubine" izvora signala, mapa će biti korisna i precizna. Uvjerite se u to dok upotrebljavate mapu, ako su cilj ili izvor signala vrlo plitki. Korisno područje traženja uporabom samo mape može biti malo, ako je sonda ekstremno plitka.

5.7 Nagnute sonde

Ako je sonda nagnuta, jedan pol će se pomaknuti bliže sondi, a drugi dalje od nje, tako da položaj sonde više ne leži u sredini između dva pola. Jakost signala bližeg pola postaje mnogo viši od signala udaljenijeg pola. U ekstremnom slučaju, kako se sonda naginje prema vertikali, jedan pol

se pomiče do točke neposredno iznad sonde i taj pol će odgovarati točki maksimalne jakosti signala. Drugi pol neće se vidjeti.

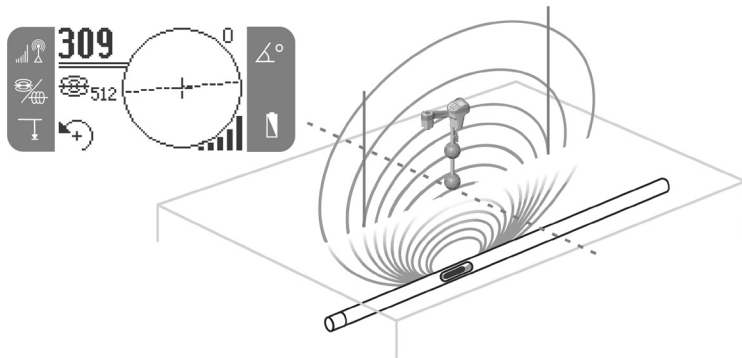
Stoga, čak i ako je sonda okomita, jer bi mogla biti ako padne u prekid u vodu ili podzemni spremnik, sonda se još uvijek može locirati.

Što se vidi na zaslonu jest pol maksimalne jakosti signala kada je sonda okomita.

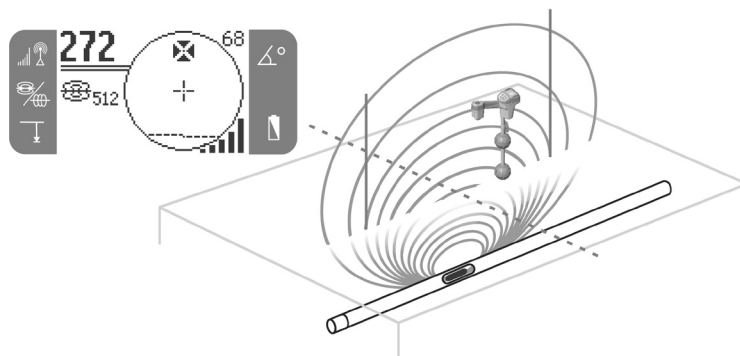


Višesmjerne antene omogućuju mjerenje dubine čak i ako je sonda nagnuta. U tim okolnostima se mora upotrijebiti svojstvo prisilne dubine za mjerenje dubine (vidi Mjerenje dubine).

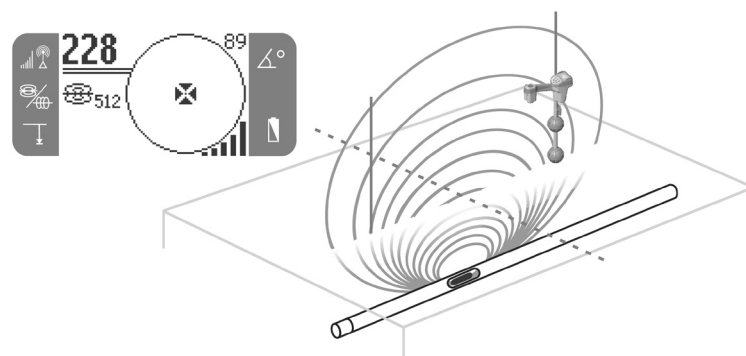
Micro mapa - primjeri – način sondiranja



Scout na ekvatoru



Scout napušta ekvator i prilazi polu



Scout na polu

6. Traženje voda sa Scout-om

Scout se također može upotrijebiti za traženje cijevi ili voda tako da se tlo iznad njih može označiti. To identificira lokaciju voda tako da se može zaštititi tijekom iskopavanja ili izložiti za popravak ili zamjenu. Scout može locirati vodove pod naponom s mnoštvom frekvencija ili se može uporabiti pasivno za provedbu lociranja bilo kojih dugih vodiča koji prenose signale. Podzemni vodovi su pod naponom s odašiljačem voda. Taj aktivni signal se potom traži uporabom prijavnika kao što je Scout.

1. Priključite odašiljač voda na vod sukladno uputama proizvođača.

"Odašiljač" je generičko ime koje se rabi za sve što generira signal koji se može locirati. Rabi se za opis sonde kao i za uređaj koji se upotrebljava za stavljanje kabela ili cijevi pod napon.

2. Uskladite frekvenciju upotrijebljenu na odašiljaču s istom frekvencijom na Scout-u. Uvjerite se da ima ikonu traženja voda ~. Pritisnite glavnu tipku izbornika za povratak na zaslon lociranja.



3. Na početku traženja se preporuča da se najprije prati jakost signala kako bi se vidjelo, pada li kada se Scout udalji. Usmjerite stup na vodove ili sam odašiljač, ako rabite induktivni način rada. Iznad voda bi trebao pokazati maksimum i padati sa svake strane. Ako se jakost signala i vodovi na zaslonu NE slažu, signal možda ima distorziju.
4. Tijekom traženja će putanja cijevi ili kabela biti prikazana na zaslonu s 2 pune crte. Zadržavanje crta na sredini ukazuje da Scout traži podzemni vod. Ako se crta pomakne ulijevo ili udesno, pomaknite Scout da se crta vrati u sredinu. Signal koji odašilje vod najjači je neposredno iznad voda. Ako to nije slučaj, postoji distorzija.



NAPOMENA Kada rabite frekvenciju traženja voda, postoje dvije crte na zaslonu. Kada rabite frekvenciju sonde, ekvator je jedina crta.

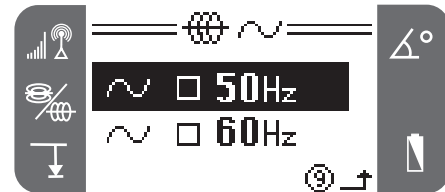
OPREZ Valja paziti na uplitanje signala koje može proizvesti neispravna očitavanja. Očitavanja dubine treba uzeti kao procjene, a aktualne dubine bi trebalo verificirati izlaganjem voda prije iskopavanja.

5. Na početku traženja se preporuča da se najprije prati jakost signala kako bi se vidjelo, pada li kada se Scout udalji. Usmjerite stup na vodove ili sam odašiljač, ako rabite induktivni način rada. Iznad voda bi trebao pokazati maksimum i padati sa svake strane. Ako se jakost signala i vodovi na zaslonu NE slažu, signal možda ima distorziju.

6.1 Traženje pasivnog AC voda

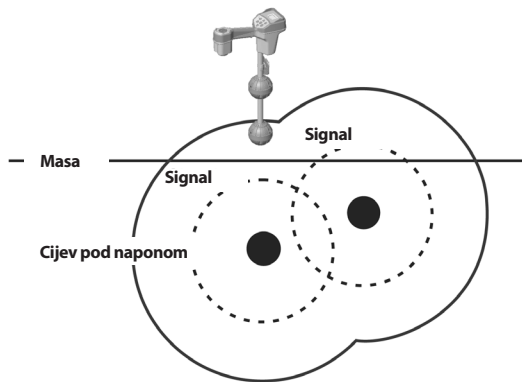
U pasivnom načinu rada Scout osjeća naizmjeničnu struju, ili AC polja. Podzemni strujni vodovi tipično ne emitiraju nikakav signal koji se može tražiti, osim ako struja protječe u žicama. Primjerice svjetla ulične rasvjete koja su isključena teško je tražiti pasivno.

1. Odaberite frekvenciju traženja pasivnog AC s ikonom za traženje pasivnog voda ~.
2. Scout ima dvije (2) frekvencije traženja pasivnog AC koje su standardne. To su 50 Hz i 60 Hz.

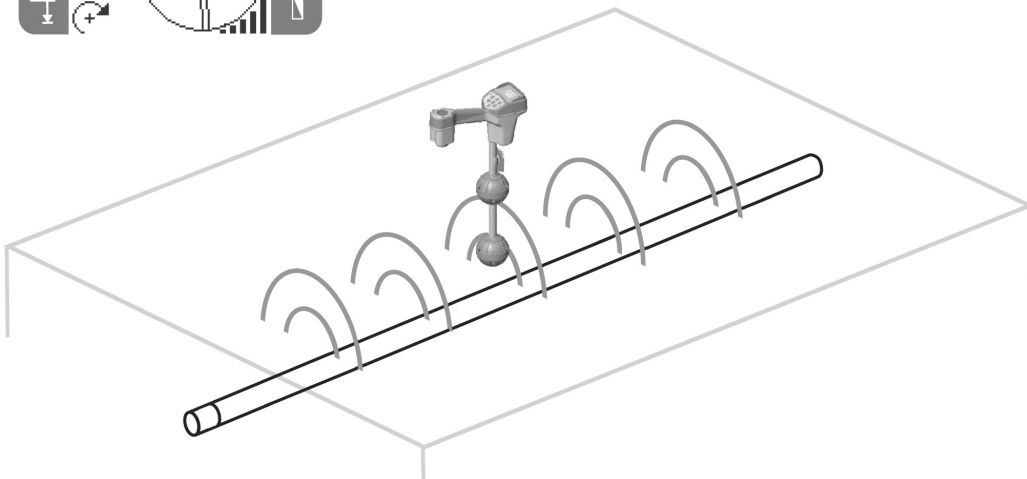
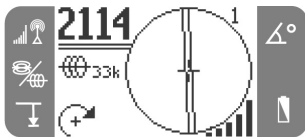


6.2 Praktični savjeti za traženje voda

- **Kada vodovi nisu centrirani na mapi, ali je jakost signala maksimizirana, prisutna je distorzija!**
 - a. Pokušajte promijeniti korištenu frekvenciju na nižu.
 - b. Pomaknite poziciju štapa uzemljenja podalje od voda koji se prati.
 - c. Osigurajte da vod nije zajednički spojen s drugom komunalijom.
 - Ako se crte neće centrirati ili ako se pomiču preko zaslona neobjašnjivo, Scout možda ne prima jasan signal.
 - a. Provjerite odašiljač da biste bili sigurni da je u radu i dobro uzemljen.
 - b. Ispitajte strujni krug usmjeravajući donju antenu na bilo koji vodič odašiljača.
 - c. Provjerite rade li Scout i odašiljač na istoj frekvenciji.
 - d. Pokušajte druge frekvencije počevši s najnižom, dok se crta ne mogne pouzdano naći.
 - Struja najbolje protječe iz najmanjih vodova do većih vodova (najmanji otpor). Primjer bi bio traženje cijevi od kuće do ulice.
 - Dok tražite, signal bi se trebao maksimizirati, a dubina minimizirati, na istom mjestu gdje se crte centriraju na zaslonu. Ako to nije slučaj, komunalija može okretati ili mogu biti prisutni drugi povezani signali.
 - Više frekvencije češće propuštaju, ali mogu biti potrebne za preskakanje prekida u tražećim žicama ili prijeći preko izolacijskih spojnika.
 - Kada rabite odašiljač induktivno osigurajte da počnete locirati na udaljenosti 10/15m radi sprječavanja "zračne spojke". To se događa kada Scout pokupi signal s odašiljača izravno, a ne iz voda koji se traži.
- Ako se crte neće centrirati ili ako se neobjašnjivo pomiču na zaslonu, onda Scout možda ne prima jasan signal.
- a. Tlo je ravno.
 - b. Vod je ravan.
 - c. Scout detektor je iznad razine tla.
 - d. Scout antenski stup je držan približno okomito.
- Ako ovi uvjeti nisu ispunjeni, obratite posebnu pozornost na maksimiziranje jakosti signala. Općenito, ako je Scout unutar oko dvije "dubine" voda, mapa će biti korisna i precizna. Uvjerite se u to dok upotrebljavate micro mapu, ako su cilj ili vod vrlo plitki. Korisno područje traženja u micro mapi može biti malo, ako je vod ekstremno plitak.



Micro mapa - primjer – traženje voda



7. Alatni izbornik

7.1 Promjena jedinica dubine

Scout može mijenjati jedinice koje mjere dubinu u stope ili metre. Za promjenu ovih postavki jednostavno označite ikonu za dubinu u alatnom izborniku i pritisnite tipku za prebacivanje između stope ili metra.



7.2 Automatsko pozadinsko osvjetljenje

Niske razine svjetla osjeća detektor svjetla ugrađen u gornjem lijevom kutu tipkovnice. Pozadinsko osvjetljenje može biti prinudno, ako se blokira svjetlo za taj osjetnik s palcem.

Automatsko pozadinsko osvjetljenje LCD-zaslona tvornički je namješteno da se uključuje samo pod uvjetima prilične tame. To je radi očuvanja baterijskog napajanja. Kako se baterije bliže pražnjenju, pozadinsko osvjetljenje pojavit će se prigušeno. Blizu kraja vijeka trajanja baterije pozadinsko osvjetljenje radi na vrlo niskoj razini radi čuvanja snage baterije.

Za isključenje pozadinskog osvjetljenja označite ikonu žarulje u alatima izborniku i pritisnite tipku za odabir za prebacivanje između Auto i OFF.



7.2.1 LCD kontrast

Kada je ovo označeno i odabrano LCD kontrast može se namjestiti sa strelicama gore i dolje.



8. Korisne informacije

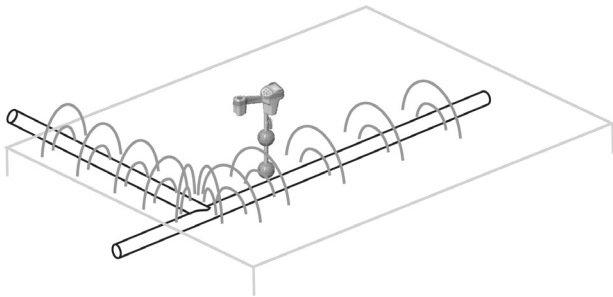
8.1 Miješanje signala

8.1.1 Izobličena polja

Ponekad polje signala može naići na metalne ili ostale crne materijale u tlu, koji mogu izobličiti crte polja. To može biti druga komunalija, podzemni otpad ili stari neupotrijebljeni vodovi koji mogu pomaknuti ili skratiti crte polja. U tom slučaju Scout može prikazati slabiji signal oko objekta i snažniji signal neposredno iznad njega. Objekt može djelovati kao leća koja nepredvidivo pojačava ili slabi signal.

8.1.2 Kompozitna polja

Kompozitna polja također su moguća. Gdje pojedinačno polje susreće drugo, dva ili više mogu stvoriti jači signal. Važno je da operateri razumiju to oko "T-ova" ili pravih kutova u vodu, gdje se kompozitna polja često susreću.



Kompozitno polje prikazano oko spoja u vodu.

8.1.3 Šum

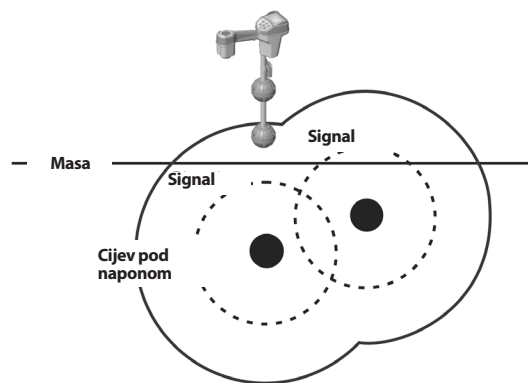
Interferencija signala (šum) jednostavno je dio izazova u lociranju. Interferencija može biti na istoj frekvenciji koja se koristi, ili može biti "izvan pojasa" na drugim frekvencijama. Neke od najvećih signala interferencije stvara oprema za prijenos energije. Transformatori, veliki električni motori ili generatori te vodovi mogu biti izvor vrlo velikih signala šuma. Područja koja su posebice nestabilna trebalo bi po mogućnosti izbjegavati. Ako je zaslom kuta nestabilan i nepostojan i/ili ako razine signala nisu postojane, to je dobra indikacija da nema ciljnog signala (sonda ili vod pod naponom) ili da postoji visoka razina šuma.

8.2 Napomene o preciznosti

Mjerenja dubine i jakosti signala oslanjaju se na jak signal koji Scout prima. Upamtite da se Scout rabi iznad tla da osjeti elektromagnetska polja emitirana iz podzemnih vodova (električni vodiči nalik metalnim žicama ili cijevima) ili sondi (aktivni prijenos signala). Kada su polja jednostavna i neizobličena, percipirana polja predstavljaju podzemni objekt. Ako su ta polja izobličena i postoje višestruka polja s međusobnim utjecajem, Scout će obaviti netočno lociranje. Lociranje nije neka egzaktna znanost.

Ovo zahtijeva od operatera da procjenjuje i traži sve informacije koje su na raspolaganju i koje će instrument možda očitati kasnije. Scout će korisniku dati mnogo informacija, ali je na operateru da te informacije pravilno protumači. Niti jedan proizvođač detektora ne zahtijeva da rukovatelj treba jedino pratiti informacije iz njegovog instrumenta. Uvjeti kada preciznost lociranja mora biti upitna:

- **Kada su prisutni drugi vodovi ili komunalni vodovi.** "Rasipanje signala u stranu" može stvoriti izobličena polja i nehotice osvjetliti vodove. Rabite niže frekvencije kada je moguće i eliminirajte sve spojeve između dva voda.



- **Kada odašiljač rabite induktivno.** To vodu daje slab signal. Kad god je moguće rabite direktnu vezu.
- **Kada su u vodu prisutni T komadi ili račvanja.** Može uzrokovati distorziju u signalu.
- **Kada je jakost signala niska.** Jak signal je potreban za točno lociranje.
- **Kada uvjeti zemljišta variraju.** Ekstremne vrijednosti vlage ili velike suhoće ili prezasićenja mogu imati utjecaja na mjerenja. Na primjer tlo zasićeno slanom vodom kakvo se susreće na obalama snažno će zaštititi signal i bit će vrlo teško locirati u njemu.

9. Transport i pohrana

Prije transporta se uvjerite da je uređaj isključen zbog štednje baterija. Pri transportu uređaja osigurajte ga tako da ne može poskakivati ili biti udaren labavom opremom. Scout treba čuvati na hladnom i suhom mjestu.

Ako Scout skladištite na duže razdoblje, baterije treba izvaditi.

10. Ugradnja/korištenje dodatnog pribora

Scout se isporučuje s markerima koji se mogu rabiti za označavanje polova ili lokacija sonde iznad tla. Postoje dva (2) crvena markera za označavanje polova i jedan (1) žuti marker za označavanje sonde. Ako je potrebna daljna pomoć, kontaktirajte prodavca ili RIDGID zastupnika.

11. Održavanje i čišćenje

⚠ UPOZORENJE

- Održavajte Scout čistim s vlažnom krpom i blagim sredstvom za čišćenje. Ne potapajte ga u vodu.
- Tijekom čišćenja nemojte koristiti oštre alate ili abrazivna sredstva koja mogu trajno izgubiti displej. **NIKADA NEMOJTE KORISTITI RASTVARAČE** za čišćenje bilo kog dijela sustava. Supstance poput acetona i drugih jakih kemikalija mogu uzrokovati napuknuće kućišta.

12. Lokalizacija dijelova s greškom

Za prijedloge o rješavanju problema pogledajte Vodič za rješavanje problema na kraju priručnika. Ako je potrebno, kontaktirajte Ridge Tool prodavca za više informacija i pomoć.

13. Servisiranje i popravak

⚠ UPOZORENJE

Alat treba dostaviti u RIDGID neovisni ovlašteni servisni centar.

14. Vodič za traženje i otklanjanje grešaka

PROBLEM	MOGUĆE NEISPRAVNO MJESTO
Scout se blokira tijekom uporabe.	Isključite jedinicu i potom uključite. Uklonite baterije ako se uređaj ne može isključiti.
Tijekom traganja, linije "poskakuju" preko cijelog zaslona u micro mapi.	Ovo ukazuje da Scout ne hvata signal ili da postoji miješanje signala.
	Vodite računa da je odašiljač dobro priključen i uzemljen. Usmjerite Scout na svaki vod kako biste bili sigurni da imate kompletan krug
	Pokušajte s višom frekvencijom.
Tijekom lociranja sonde, linije "poskakuju" preko cijelog zaslona.	Pokušajte utvrditi izvor šuma i uklonite ga.
	Provjerite baterije u sondi da biste se uvjerali jesu li ispravne. Potvrdite signal postavljanjem donje antene bliže sondi. Napomena – sonde otežano emitiraju signale kroz lijevano željezo i vodove od kovanog željeza.
Razmak između sonde i polova nije jednak.	Sonda je možda nagnuta ili postoji prijelaz s lijevanog željeza na plastiku.
Uređaj radi nestabilno, neće se ugasiti.	Možda su baterije ispražnjene. Zamijenite ih novim baterijama i uključite uređaj.
Zaslon je posve taman ili posve osvijetljen kada se uključi.	Pokušajte isključiti uređaj i potom ga uključiti.
	Namjestite kontrasta LCD zaslona.
Nema zvuka.	Namjestite jačinu zvuka u izborniku zvuka.
Scout ne prima signal.	Provjerite je li namješten odgovarajući način rada i frekvencija.
Scout se neće uključiti.	Provjerite orijentaciju polova baterija. Provjerite jesu li baterije napunjene. Provjerite jesu li kontakti baterije dobri. Možda je pregorio osigurač uređaja (potreban je tvornički servis).

15. Tehnički podaci

Težina s baterijama.....	1,4 kg
Težina bez baterija.....	1 kg
Dimenzije	
Duljina.....	28,5 cm
Širina.....	11,0 cm
Visina.....	56,0 cm
Izvor napajanja	
4 C baterije, 1,5 V alkalne (ANSI/NEDA 14 A, IEC LR14) ili 1,2 V NiMH ili NiCad baterije koje se mogu puniti	
Nazivna snaga: 6 V, 550 mA	
Radno okruženje	
Temperatura.....	20°C do 50°C
Vlažnost	5% do 95% relativne vlažnosti
Temperatura skladištenja.....	-20°C do 60°C
Standardne frekvencije	
Sonda.....	512 Hz, 640 Hz, 874 Hz, 33 kHz
Traženje aktivnog voda	512 Hz, 8 kHz, 33 kHz
Traženje pasivnog voda	60 Hz, 50 Hz

Unaprijed zadane postavke

Zadane postavke za detektoru su:

Jedinice dubine = metar i centimetar

Glasnoća = 1 (jedno namještanja iznad prigušenog)

Pozadinsko osvjetljenje = Automatski

Standardna oprema

- Scout detektor
- Marker i držač stupa
- 2 korisnička priručnika: SAD + Europa
- 4 baterije sa C-čelijom (alkalne)
- Video PAL

Neobavezna oprema

- Dodatni markeri sonde/pola
- NaviTrack odašiljač
- Induktivna stezaljka
- Sonda baterije
- Plovak

16. Legenda ikona

IKONE ZASLONA

- Frekvencija sonde
 - Frekvencija aktivnog traženja vodova
 - Frekvencija pasivnog traženja (AC)
 - Razina sonde
 - Razina napunjenosti baterije
 - Dubina
 - Indikator vodoravnog kuta
 - Jakost signala
 - Alatni izbornik
 - Kontrast LCD zaslona
 - LCD pozadinsko osvjetljenje
- #### IKONE TIPKOVNICE
- Navigacija izbornika
 - Resetiranje audio tona / odabir stavke izbornika
 - Navigacija izbornika / prisilna dubina (3 sek. pritisnuti)
 - Tipka za UKLJUČIVANJE/ISKLUČIVANJE
 - Tipka izbornika
 - Tipka načina rada sonda / traženje / frekvencija
 - Tipka jačine zvuka

PL

Navitrack Scout Instrukcja obsługi

Tłumaczenie instrukcji oryginalnej



OGÓLNE INFORMACJE DOTYCZĄCE BEZPIECZEŃSTWA
OSTRZEŻENIE! Prosimy przeczytać i zrozumieć wszystkie instrukcje. Nie stosowanie się do poniższych instrukcji może spowodować porażenie prądem, pożar i/lub poważne obrażenia ciała.

PRZECZYTAJ ZAŁĄCZONE INSTRUKCJE DOTYCZĄCE BEZPIECZEŃSTWA.
ZACHOWAJ TE INSTRUKCJE!

Deklaracja zgodności WE (890-011-320.10) jest dołączana w razie potrzeby do niniejszej instrukcji w formie oddzielnej broszury.

Środki ostrożności dotyczące baterii

- **Używać wyłącznie baterii o określonym rozmiarze i typie. Nie używać razem różnych typów ogniwi (tj. baterii alkalicznych z akumulatorami).** Nie używać razem częściowo rozładowanych ogniwi z w pełni naładowanymi (tj. nie używać razem starych z nowymi).
- **Akumulatorki ładować tylko przy użyciu ładowarek określonych przez producenta.** Użycie nieodpowiedniej ładowarki może spowodować przegrzanie i pęknięcie akumulatora.
- Baterie i akumulatorki zutylizować we właściwy sposób. Wystawienie na działanie wysokiej temperatury może spowodować wybuch, dlatego nie wolno utylizować akumulatora przez spalanie. Niektóre kraje mają własne przepisy dotyczące utylizacji akumulatorów i baterii. Należy więc postępować zgodnie z odpowiednimi przepisami.

1. Użytkowanie i konserwacja lokalizatora Scout

- **Urządzenie używać tylko zgodnie z przeznaczeniem.** Lokalizatora Scout można używać dopiero po odbyciu odpowiedniego przeszkolenia i przeczytania podręcznika obsługi.
- **Nie zanurzać anten w wodzie.** Przechowywać w suchym miejscu. Następujące środki zmniejszają ryzyko porażenia prądem lub zniszczenia przyrządu.
- **Sprawdzić pod kątem uszkodzonych części i wszelkich innych stanów, które mogą wpłynąć na działanie lokalizatora Scout.** W przypadku uszkodzenia, zlecić serwisowanie przyrządu przed jego użyciem. Wiele wypadków powodowanych jest przez niewłaściwie konserwowane narzędzia.
- **Stosować wyłącznie akcesoria zalecane przez producenta dla lokalizatora Scout.** Akcesoria, które są odpowiednie do jednego przyrządu, przy użyciu z innym mogą okazać się niebezpieczne.
- **Uchwyty utrzymywać w stanie suchym, czystym i wolne od oleju i smarów. Umożliwi to lepszą kontrolę przyrządu.**
- **Chronić przed nadmiernym ciepłem.** Nie wolno ustawiać tego produktu w pobliżu źródeł ciepła, takich jak grzejniki, promienniki, piece lub inne urządzenia (również wzmacniacze) wytwarzające ciepło.

1.1 Serwis

- **Czynności serwisowe przyrządu diagnostycznego mogą być przeprowadzane tylko przez wykwalifikowany personel.** Serwis i konserwacja przeprowadzona przez niewykwalifikowany personel może doprowadzić do obrażeń.
- **Zapewnić prawidłowe czyszczenie.** Przed czyszczeniem wyjąć baterie. Nie stosować środków czyszczących w płynie lub aerozolu. Używać do czyszczenia wilgotnej szmatki.
- **Przeprowadzić kontrolę bezpieczeństwa.** Po zakończeniu czynności serwisowych należy poprosić serwisanta o przeprowadzenie kontroli bezpieczeństwa, aby stwierdzić, że produkt jest w dobrym stanie.
- **Uszkodzenia produktu wymagające serwisowania.** Wyjmij akumulator i zleć czynności serwisowe wykwalifikowanemu personelowi, jeśli wystąpią następujące przypadki:
 - Jeśli do środka dostał się płyn lub jakieś przedmioty spadły na urządzenie.
 - Jeśli urządzenie nie działa poprawnie, mimo postępowania zgodnie z instrukcją obsługi.
 - Jeśli urządzenie upadło lub zniszczyło się w inny sposób.
 - Jeśli urządzenie wykazuje wyraźną zmianę w działaniu.

W korespondencji należy podawać wszystkie informacje przedstawione na tabliczce znamionowej narzędzia, w tym oznaczenie modelu oraz numer seryjny.

1.2 Ważna uwaga

Lokalizator Scout jest przyrządem diagnostycznym, który wykrywa pola elektromagnetyczne emitowane przez obiekty znajdujące się pod ziemią. Jego przeznaczeniem jest wspomaganie użytkownika w lokalizowaniu tych obiektów poprzez rozpoznawanie charakterystyk linii pola i wyświetlanie ich na ekranie. Ponieważ linie pola elektromagnetycznego mogą być zniekształcone i zakłócone, przed rozpoczęciem wykopów ważne jest zweryfikowanie lokalizacji podziemnych obiektów.

W tym samym obszarze pod ziemią może znajdować się kilka obiektów użyteczności.

Należy bezwzględnie stosować się do lokalnych przepisów.

Odstąpienie sieci mediów energetycznych jest jedynym sposobem zweryfikowania jej istnienia, lokalizacji oraz głębokości.

Firma Ridge Tool Co., jej przedsiębiorstwa stowarzyszone oraz dostawcy, nie ponoszą odpowiedzialności za obrażenia, ani żadne szkody bezpośrednie, pośrednie, uboczne lub wynikowe doznane lub poniesione wskutek użytkowania lokalizatora Scout. W tym samym obszarze pod ziemią może znajdować się kilka elementów mediów. Należy bezwzględnie stosować się do lokalnych przepisów.

2. Prezentacja lokalizatora Scout

W lokalizatorze przewodów i sond Scout™ do szybkiego, dokładnego i łatwego oznaczania pozycji i śledzenia zakopanych przewodów mediów użyteczności wykorzystuje się anteny wielokierunkowe i zaawansowane przetwarzanie.

2.1 Unikatowe funkcje lokalizatora

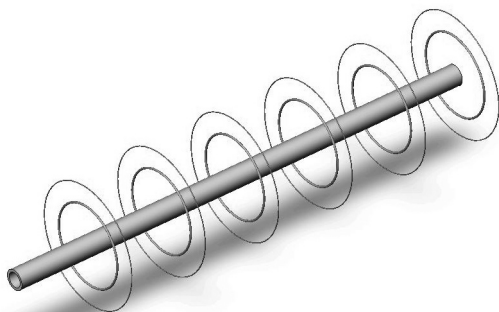
Zastosowana w lokalizatorze Scout zaawansowana technologia zapewnia unikatowe w stosunku do konwencjonalnych lokalizatorów funkcje:

- System anten wielokierunkowych.
- Widok mikromapy.
- Wskazywanie różnych charakterystyk sygnału.

2.2 Zasada działania

Lokalizator Scout jest używany nad gruntem do wykrywania pól elektromagnetycznych emitowanych spod ziemi lub z ukrytych linii (przewodników elektrycznych jak przewody i rury metalowe) lub sond (aktywnych nadajników). Jeśli wykryte pola nie są złożone i zakłócone, przedstawiają zakopany obiekt. Scout lokalizuje przewodzące obiekty emitujące pole, nie wykrywa on bezpośrednio podziemnych obiektów.

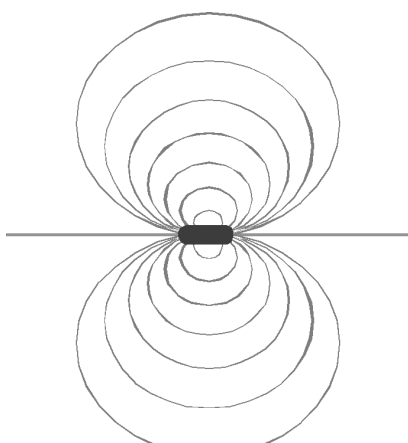
Wyróżnia się dwa rodzaje pól elektrycznych emitowanych przez zakopane obiekty - pierwszy rodzaj to pola emitowane przez długie przewody np. naładowane kable, przewody prowadzące kamer inspekcyjnych lub rury. Takie obiekty wytwarzają długie pole cylindryczne, co często określa się jako śledzenie „przebiegu linii”.



Pole emitowane przez naładowany przewód.

(Pasywne śledzenie przewodu prądu przemiennego jest właśnie specyficznym przypadkiem, w którym przewód jest naładowany elektrycznością.)

Drugi rodzaj - sondy (nazywane również nadajnikami lub aktywnymi sondami przewodowymi) emitują pole o zróżnicowanym kształcie i lokalizator Scout jest zaprogramowany do mierzenia i obrazowania pola tego typu. Bardziej złożony kształt pola sondy jest nazywany polem dwubiegunowym i jest takie same, jakie wytwarza magnes prętowy i planeta Ziemia.



Pole dwubiegunowe emitowane przez sondę.

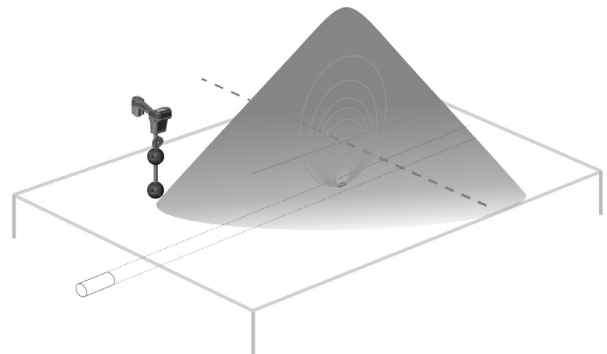
Pola elektromagnetyczne charakteryzują się trzema (3) ważnymi właściwościami: częstotliwością, natężeniem i kątem (kierunkiem). Inaczej niż w przypadku konwencjonalnych lokalizatorów mierzących tylko natężenie w kierunku pojedynczej anteny, lokalizator Scout mierzy zarówno natężenie sygnału i kąt pola

w trzech wymiarach (3D). Ta zwiększona funkcjonalność umożliwia wyświetlanie mapowania.

Doświadczony operator może wykorzystać te dodatkowe informacje do przyspieszenia lokalizowania i weryfikowania złożonych przypadków lokalizacji. Z drugiej strony operator pracujący sporadycznie lub nowicjusz mogą łatwo lokalizować na tylko na podstawie natężenia sygnału.

Pierwsze przykazanie lokalizowania za pomocą urządzenia Scout to znajdowanie wysokich numerów! –

Uzyskiwanie maksymalnych natężeń to kluczowa i fundamentalna metoda lokalizowania.



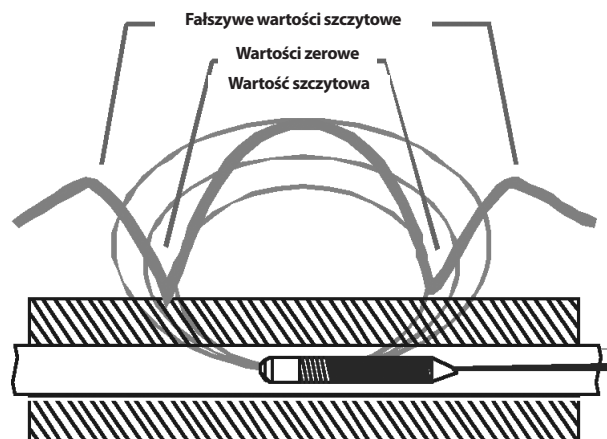
Przykład uzyskiwania maksymalnej wartości bezpośrednio nad sondą.

Przy śledzeniu przewodu jak i lokalizowaniu sondy maksymalne natężenie sygnału występuje nad celem. Głębokość jest wyświetlana nad samym celem.

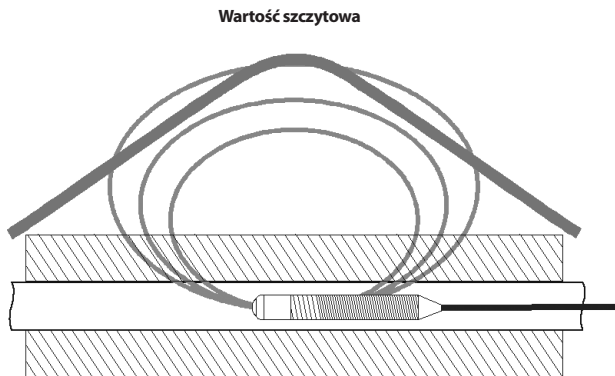
2.3 Korzyści z wielokierunkowości lokalizatora Scout

Podgląd wszystkich sygnałów za pomocą anten wielokierunkowych zapewnia konkretne korzyści:

1. Sygnał zawsze zwiększa się wraz ze zbliżaniem się użytkownika do celu.
2. Wylimitowane są wartości zerowe i „szczyty-widma”. W sygnale konwencjonalnego lokalizatora występuje szczyt, następnie wartość zerowa i znowu mniejszy szczyt. Może to zmylić operatora, szczególnie wtedy, gdy zinterpretuje on mniejszy szczyt jako cel (nazywany „widmem” lub „fałszywym” szczytem). Lokalizator wyszukuje tylko jeden szczyt, aby doprowadzić użytkownika do celu.



Sygnal sondy widziany za pomocą konwencjonalnego lokalizatora. Główny szczyt sygnału w środku, a dwa fałszywe szczyty na zewnątrz dwóch wartości zerowych.



Sygnal sondy widziany za pomocą lokalizatora Scout. Tylko jeden szczyt bez wartości zerowych.

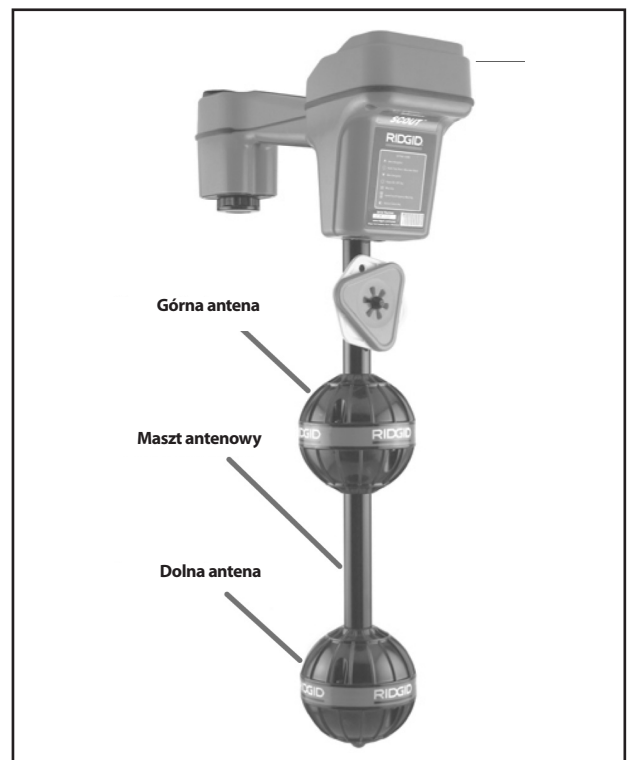
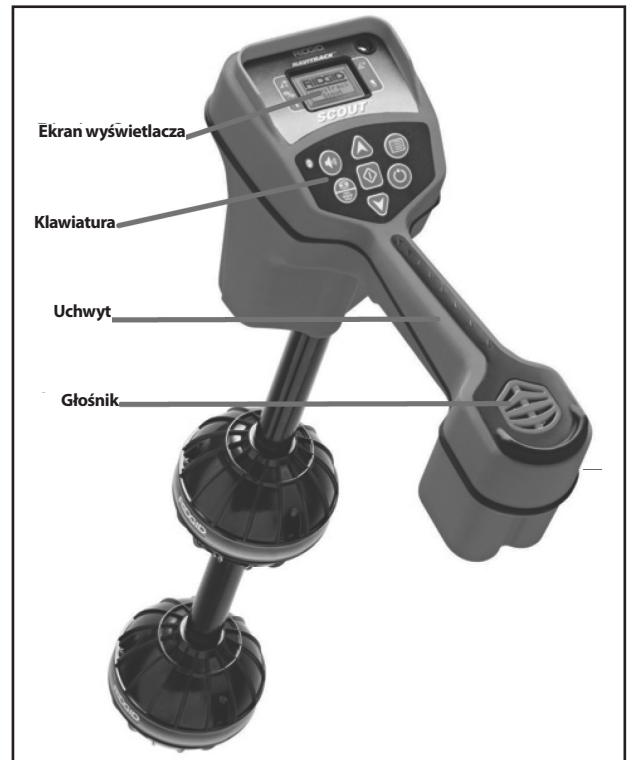
3. Sposób trzymania urządzenia nie ma wpływu na natężenie sygnału. Użytkownik może zbliżyć się z każdego kierunku i nie musi znać układu rury lub kabla.
4. Dodatkowe narzędzia do identyfikowania i rozwiązywania problemów trudnych lokalizacji to graficzna mikromapa i wskaźnik kąta, ułatwiające interpretację charakterystyki sygnału.

2.4 Korzyści z mikromapy

Mapa zapewnia graficzne zobrazowanie charakterystyki sygnału. Jest ona graficznym widokiem „z lotu ptaka” sygnału pod ziemią, wyświetlanym na ekranie. Służy on jako wskazówka do śledzenia przewodów podziemnych, a także do lepszego oznaczania pozycji sond. Może również dostarczać więcej informacji o złożonych lokalizacjach.

Lokalizator przesuwany nad ziemią, który przechwytywa sygnał emitowany przez obiekty pod ziemią. Dzięki temu użytkownik ma podgląd ekranowy wizualizacji sygnału i następnie może go oznaczyć. Konwencjonalne lokalizatory nie mapują sygnału podziemnego, ponieważ ich anteny nie mogą wykryć jego pełnego kształtu.

3. Części składowe lokalizatora Scout

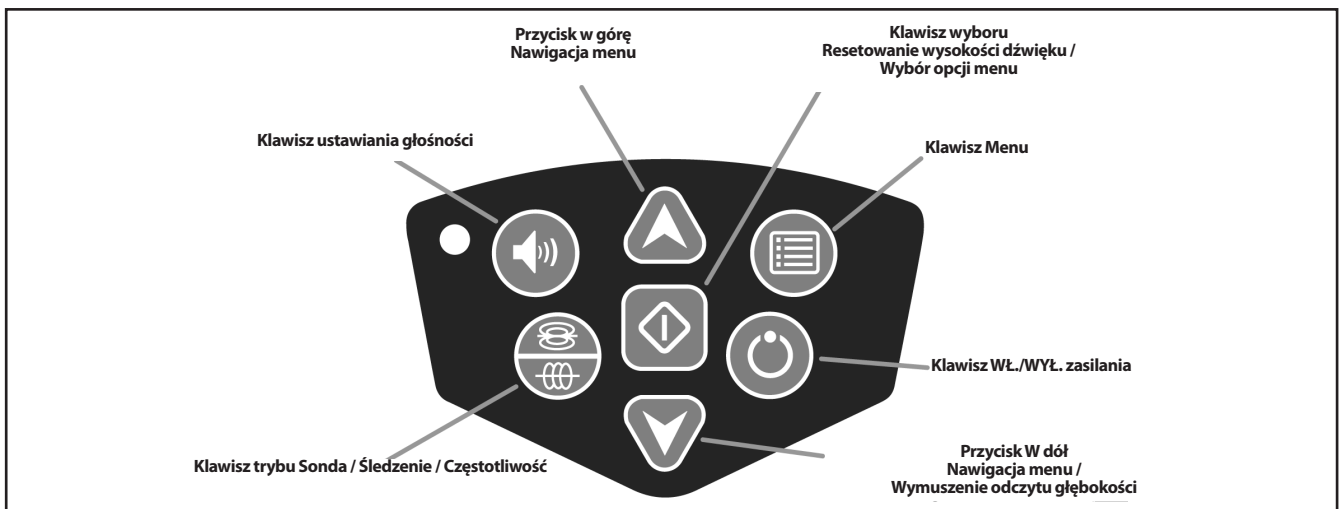




Ekran wyświetlacza



Klawiatura



Klawisz regulacji głośności – służy do otwierania i zamykania menu Poziom dźwięku.

Klawisz Tryb Sonda/Śledzenie/Częstotliwość – służy do przełączania aktywnych częstotliwości i funkcji.

Klawisz W górę – służy do przechodzenia do góry przez opcje menu.

Klawisz Wybierz – służy do wyboru podświetlonej opcji w otwartym menu.

Klawisz W dół – służy do przechodzenia w dół przez opcje menu.

Klawisz Menu – służy do otwierania lub zamykania menu.

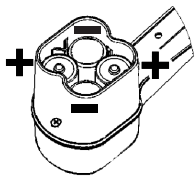
Klawisz ON/OFF – służy do włączania i wyłączania lokalizatora Scout.

4. Rozpoczęcie pracy

4.1 Instalowanie/wymiana baterii i akumulatorów

W celu zainstalowania baterii w lokalizatorze Scout obrócić urządzenie, aby uzyskać dostęp do komory baterii. Obrócić pokrętkę na pokrywie komory baterii w lewo. Pociągnąć do góry pokrętkę w celu zdjęcia pokrywy. Włożyć baterie jak pokazano na wewnętrznej naklejce i upewnić się, że dobrze zostały włożone z kontaktem na stykach.

Założyć pokrywę w obudowie i obrócić pokrętkę w prawo, lekko je dociskając. Pokrywkę baterii można zakładać w dowolnej orientacji.



Po włączeniu zasilania lokalizatora Scout przez kilka sekund sprawdzane są baterie. Do zakończenia sprawdzenia pokazywany jest poziom „wyczerpanych” baterii.

OSTRZEŻENIE

Nie dopuszczać do dostania się zanieczyszczeń do komory baterii. Obecność zanieczyszczeń w komorze baterii może być przyczyną zwarcia ich styków, prowadząc do szybkiego rozładowywania, czego skutkiem może być wyciek elektrolitu lub zagrożenie pożarem.

4.2 Czas pracy

Typowy czas pracy lokalizatora Scout na ogniwach alkalicznych wynosi od 12 do 24 godzin, zależnie od takich czynników jak głośność dźwięku i włączone podświetlenie. Innym czynnikiem, jaki wpływa na czas pracy, są właściwości chemiczne baterii (wiele spośród nowych baterii o wysokiej wydajności, takich jak „Duracell® ULTRA”, może pracować o 10% - 20% dłużej niż konwencjonalne ogniwa alkaliczne w przypadku zastosowań o wysokich wymaganiach). Praca w niskich temperaturach także powoduje skrócenie czasu pracy baterii.

W celu oszczędzania baterii lokalizator Scout wyłącza się automatycznie po upływie 1 godziny, kiedy nie zostanie naciśnięty żaden klawisz. Aby wznowić pracę urządzenia, wystarczy po prostu włączyć zasilanie.

4.3 Włączanie i wyłączanie zasilania

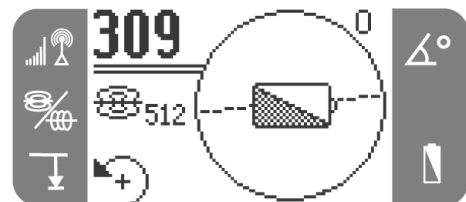
Zasilanie włącza się, naciskając klawisz zasilania  na klawiaturze. W dolnym prawym rogu wyświetla się logo RIDGID® i numer wersji oprogramowania.



Zasilanie wyłącza się, naciskając i zwalniając klawisz zasilania  na klawiaturze. Należy uwzględnić kilkusekundowe opóźnienie przy włączaniu i wyłączaniu.

4.4 Ostrzeżenie o niskim poziomie naładowania baterii

Kiedy poziom naładowania baterii stanie się niski, w obszarze mapy na ekranie będzie pojawiać się ikona baterii. Wskazuje ona, że baterie wymagają wymiany i urządzenie wkrótce się wyłączy.



Tuż przed ostatecznym wyłączeniem występuje nie dająca się przerwać sekwencja wyłączenia zasilania.

Czasami w przypadku akumulatorów może dochodzić do tak szybkiego spadku napięcia, że urządzenie po prostu będzie się wyłączać. Urządzenie będzie wyłączać się i ponownie włączać. Należy tylko wymienić akumulatory i z powrotem włączyć zasilanie.

5. Konfiguracja

Po włączeniu i sprawdzeniu działania lokalizatora Scout następnym krokiem jest ustawienie częstotliwości dopasowanych do sprzętu, jaki ma być lokalizowany. Aktywuje się je się do użycia, wybierając z listy w menu.

1. Nacisnąć klawisz menu, podświetlić wybór, a następnie nacisnąć klawisz wyboru w celu aktywowania:



2. Za pomocą klawiszy strzałek do góry i w dół podświetlić częstotliwość do ustawionej w sondzie lub nadajniku linii, a następnie nacisnąć klawisz wyboru w celu zaznaczenia pola wyboru. Dodatkowe informacje podano w części Opcje menu. Nacisnąć klawisz menu, aby wrócić na ekran główny.



⚠ OSTRZEŻENIE

Należy upewnić się, że wybrana częstotliwość pasuje do zastosowania. Jako częstotliwości sondy i śledzenia przewodu dostępne są częstotliwości 512 i 33. Użycie częstotliwości sondy do śledzenia przewodu i odwrotnie może prowadzić do wyświetlania nieprawidłowych wskazań głębokości.

3. Aby przełączać między aktywowanymi częstotliwościami i trybami należy teraz nacisnąć klawisz trybu sondy/śledzenia/częstotliwości. Należy zwrócić uwagę, jakie są wyświetlane ikony ekranowe, wskazujące tryb pracy lokalizatora Scout.



4. W razie potrzeby regulacji głębokości, automatycznego podświetlenia lub kontrastu wyświetlacza LCD, należy podświetlić opcję w sekcji narzędzi menu i zatwierdzić zmiany klawiszem wyboru.



5.1 Opcje menu

Częstotliwości trybu Sonda		512 Hz 640 Hz 874 Hz 33 Hz
Częstotliwości trybu Śledzenie linii		50 Hz (pasywne) 60 Hz (pasywne) 512 Hz 8 kHz 33 kHz
Menu narzędziowe		Stopy/Metry Automatyczne podświetlenie Kontrast Wyświetlacza LCD

5.2 Dźwięki lokalizatora Scout

Zwiększanie lub zmniejszanie natężenia sygnału sygnalizowane jest dźwiękowo. Wraz z wzrostem sygnału rosną wysokość i głośność dźwięku, a przy spadku sygnału maleją. Zmiana wysokości i głośności dźwięku będzie zauważalna tylko przy wzroście sygnału, aby naprowadzać operatora na maksymalne natężenie sygnału. Jeśli natężenie dźwięku spadnie, dźwięk powróci do basowego wibrowania, jak przy braku sygnału.

W lokalizatorze Scout zastosowano automatyczne podbicie sygnału. Jeśli podbicie rośnie lub spada o stopień, dźwięk przestawi się odpowiednio na wyższe lub niższe natężenie.

Głośność dźwięku reguluje się, naciskając klawisz Dźwięk.



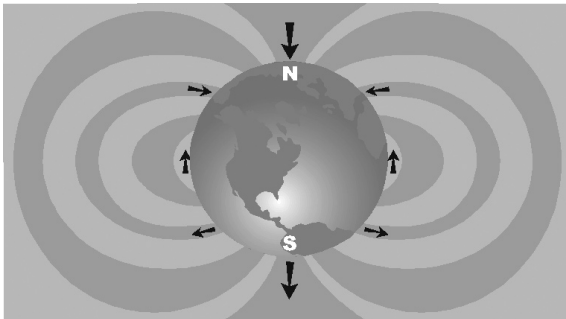
Głośność będzie się zmieniać za każdym naciśnięciem klawisza dźwięku. Do regulacji głośności można używać również strzałek w dół i w górę. Nacisnąć klawisz wyboru w celu wyjścia z bieżącego ekranu.



UWAGA Naciśnięcie przycisku wyboru podczas normalnego trybu pracy spowoduje ustawienie wysokości na poziomie średnim.

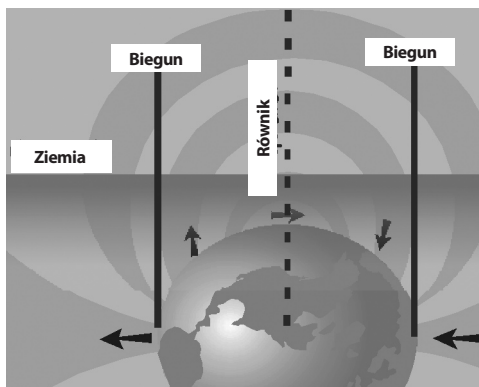
5.3 Opis ogólny - współpraca sond z lokalizatorem Scout

Sondy (nazywane również nadajnikami lub aktywnymi sondami przewodowymi) emitują pole elektromagnetyczne bardzo zbliżone do pola magnetycznego generowanego przez Ziemię.



Faktycznie, gdyby Ziemię „położyć na boku”, jej pole magnetyczne wyglądałoby bardzo podobnie do pola sondy.

Scout jako lokalizator może mierzyć kształt (kąt) linii pola z sondy i określać różne właściwości tych linii. Trzy ważne właściwości to dwa **BIEGUNY** i **RÓWNIK**. Na biegunach kąt sygnału wynosi 90 stopni (pionowy). Na równiku wynosi on 0 (poziomy). Bieguny to wyraźne punkty w przestrzeni, podczas gdy równik opasuje całkowicie sondę. Ponieważ te różne właściwości są stałe, można je wykorzystać do dokładnego oznaczenia lokalizacji sondy.



Bieguny zazwyczaj występują w miejscach, gdzie konwencjonalne lokalizatory wykazują „zera”, martwe punkty pojawiające się przy pionowym przejściu sygnału przez ich anteny. Różnica polega na tym, że lokalizator Scout może „widzieć” bieguny („zera”) i wskazywać użytkownikowi ich położenie, **nawet jeśli użytkownik nie znajduje się bezpośrednio nad nimi i bez względu na ustawienie anten w stosunku do sygnału.**

Jest to jedna z przyczyn, dlaczego lokalizacja za pomocą urządzenia Scout jest o wiele łatwiejsza niż za pomocą lokalizatorów konwencjonalnych.

Sonda znajduje się w punkcie bezpośredniego przejścia równika przez dwa bieguny.

5.4 Lokalizowanie sondy

Lokalizatora Scout można używać do lokalizowania sygnału sondy (nadajnika) w rurze, tak aby jej lokalizację można było określić nad gruntem. Sondy można umieszczać w punkcie problemu w rurze za pomocą popychacza lub sprężyny kamery. Można je wprowadzać za pomocą strumienia do rury.

W poniższym opisie przyjęto założenie, że sonda znajduje się w rurze ułożonej poziomo, powierzchnia podłoża jest w przybliżeniu płaska, a lokalizator Scout jest trzymany z masztem antenowym ustawionym pionowo.

WAŻNE Natężenie sygnału jest czynnikiem o kluczowym znaczeniu w przypadku określania położenia sondy. Aby uzyskać dokładne lokalizowanie, przed oznaczeniem obszaru wykopów **NALEŻY** zmaksymalizować wskazanie natężenia sygnału.

5.4.1 Przy lokalizowaniu sondy należy przygotować w następujący sposób:

- **Przed** umieszczeniem sondy w przewodzie sprawdzić, czy lokalizator Scout działa i odbiera sygnał sondy.
- Po ustawieniu sondy i rozpoczęciu nadawania, aktywować sondę i dopasować częstotliwość lokalizatora Scout do częstotliwości sondy. Upewnić się, że na ekranie wyświetlana jest ikona trybu sondy.

OSTRZEŻENIE

Należy upewnić się, że wybrana częstotliwość pasuje do zastosowania. Jako częstotliwości sondy i śledzenia przewodu dostępne są częstotliwości 512 i 33. Użycie częstotliwości sondy do śledzenia przewodu i odwrotnie może prowadzić do wyświetlania nieprawidłowych wskazań głębokości.

- Przejdź do prawdopodobnej lokalizacji sondy. Gdy kierunek przebiegu rury nie jest znany, sondę należy umieścić na mniejszej odległości w rurze (odległość około 5 m od miejsca dostępu jest dobrym punktem startowym).

5.4.2 Następnie zlokalizować sondę jedną z następujących metod:

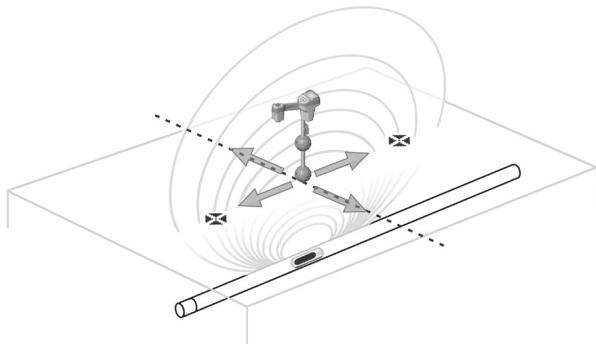
Metoda 1 – Maksymalizacja natężenia sygnału

1. Trzymać lokalizator Scout tak, aby maszt odwrócony był od ciała operatora. Przesunąć maszt w prawdopodobnym kierunku sondy, obserwując natężenie sygnału i słuchając sygnalizacji dźwiękowej. Sygnał będzie najwyższy, kiedy maszt będzie skierowany ku sondzie.
2. Opuścić lokalizator Scout do normalnego położenia roboczego (maszt pionowo) i iść w kierunku sondy. W miarę zbliżania się do sondy natężenie sygnału będzie wzrastać, a dźwięk zwiększać wysokość. Na podstawie natężenia sygnału i dźwięku **ustalić maksymalny sygnał.**



3. Po znalezieniu maksymalnego sygnału ustawić lokalizator blisko gruntu nad miejscem szczytu sygnału i przesuwać we wszystkich kierunkach w celu ustalenia spadków sygnału.

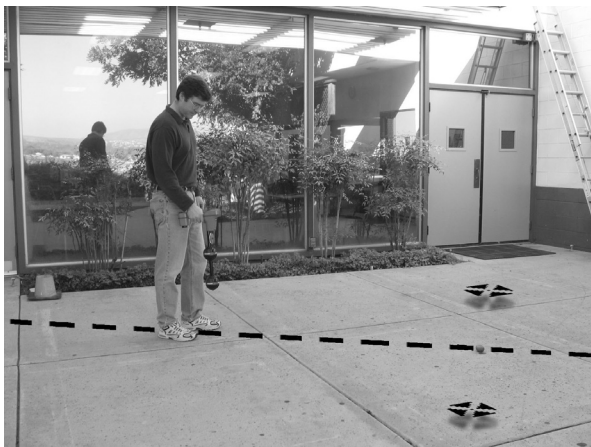
UWAGA Liczy się najwyższy sygnał, równik może znajdować się w innym miejscu niż najwyższy sygnał, jeśli sonda jest przechylona (p. część Przechylona sonda).



Metoda 2 – Śledzenie równika przed maksymalizacją

1. Metoda daje najlepsze wyniki na otwartych obszarach bez przeszkód, **gdy zakłada się, że sonda ustawiona jest poziomo**. Przesuwać maszt, a następnie iść w kierunku maksymalnego natężenia sygnału jak w Metodzie 1.
2. Kiedy lokalizator będzie pokazywał stałą linię równika na środku ekranu, przesunąć się po niej w kierunku wzrostu sygnału. Po osiągnięciu maksymalnego natężenia dźwięku przesunąć lokalizator Scout wzdłuż równika **i we wszystkich kierunkach**, aby upewnić się, że znajduje się on na wartości szczytowej.

Jeśli sonda jest przechylona, upewnić się, że znaleziony został sygnał maksymalny, ponieważ będzie to lokalizacja sondy.



Weryfikacja lokalizacji.

1. W punkcie maksymalnego natężenia sygnału z masztem ustawionym pionowo przesunąć lokalizator Scout prostopadłe do linii równika na ekranie. Kiedy na ekranie pojawi się ikona bieguna, przesunąć lokalizator Scout, aż ikona ustawi się na krzyżyku w środku ekranu **z dolną sferą anteny** na podłożu. Umieścić na podłożu w tym punkcie jeden z trójkątnych pomarańczowych znaczników.



Widok przy ustawieniu lokalizatora Scout na biegunie.

2. Przesunąć lokalizator Scout z powrotem po linii równika do drugiego bieguna. Ustawić krzyżyk na drugiej ikonie bieguna i oznaczyć jego położenie jak wyżej.
3. Wrócić do punktu **maksymalnego natężenia sygnału**. Oznaczyć ten punkt na podłożu żółtym sześciokątnym znacznikiem. Odsuwać powoli we wszystkich kierunkach niższą sferę anteny od żółtego znacznika, obserwując odczyty natężenia sygnału. Natężenie sygnału powinno być najwyższe bezpośrednio nad sondą.
4. Sprawdzić, czy wszystkie trzy znaczniki są ustawione w linii i sześciokątny żółty znacznik znajduje się w przybliżeniu w połowie odległości między znacznikami biegunów.

Jeśli żółty znacznik nie znajduje się w środku, p. część dotycząca przechylonych sond.

WAŻNE Pozycja na równiku NIE oznacza, że operator znajduje się nad sondą. Należy pamiętać, że natężenie sygnału jest kluczowym czynnikiem w lokalizowaniu sondy. Operator musi znajdować się w punkcie o najwyższym natężeniu sygnału.

Aby uzyskać największą dokładność, należy posłużyć się poziomą. Podczas oznaczania biegunów i równika maszt MUSI być ustawiony pionowo, w przeciwnym razie ich położenia będą nieprawidłowe.

5.5 Pomiar głębokości

Lokalizator Scout mierzy głębokość w oparciu o porównanie mocy sygnału przy dolnej antenie z mocą sygnału przy górnej antenie.

Głębokość mierzona jest, kiedy dolna antena dotyka podłoża bezpośrednio ponad źródłem sygnału.

1. Aby zmierzyć głębokość, umieścić lokalizator na podłożu, bezpośrednio nad sondą lub przewodem. Upewnić się, że wskaźnik kąta pokazuje odczyt maksymalnie 5 stopni. Następnie powoli obracać urządzenie w kierunku wskazywanym strzałką w **dolnym lewym rogu** ekranu do momentu wyświetlenia się głębokości.



Podczas pomiaru głębokości przydatna jest poziomicą do utrzymania masztu anteny w pionie.

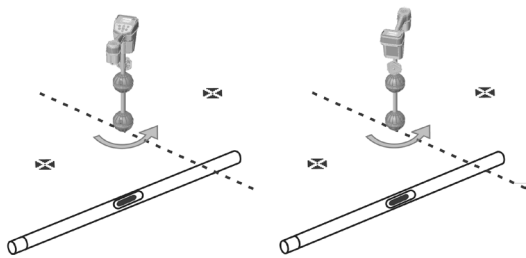
W celu zmaksymalizowania sygnału i uzyskania dokładniejszego odczytu głębokości należy obracać lokalizator Scout tak, aby ustawić antenę w linii z sygnałem.

2. Głębokość wyświetli się w lewym dolnym rogu.



3. **Funkcja wymuszania odczytu głębokości** - Jeśli wskaźnik kąta pokazuje ponad 5 stopni, lokalizator Scout nie zmierzy głębokości. Nacisnąć klawisz strzałki w dół i przytrzymać. Spowoduje to wymuszenie odczytu głębokości, jeśli możliwe jest jej zmierzenie (p. następna część niżej dotycząca przechylonych sond).

Przy sprawdzaniu głębokości należy zawsze dokonać pomiaru, a następnie obrócić lokalizator Scout o 180 stopni (1/2 okręgu) i dokonać kolejnego pomiaru głębokości. Upewnić się, że dolna sfera znajduje się w tym samym punkcie na podłożu i maszt jest ustawiony pionowo. Jeśli różnica między odczytami głębokości wynosi ponad 10%, obecne są zakłócenia i należy odrzucić taki odczyt głębokości.



5.6 Wskazówki robocze przy lokalizowaniu sondy

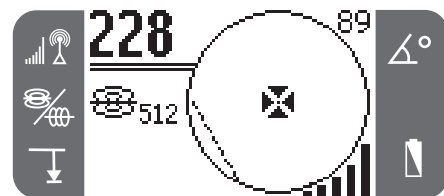
- Zawsze kiedy to możliwe, należy wykorzystywać wskazanie dźwiękowe jako pomoc w naprowadzaniu lokalizatora Scout na maksymalne natężenie sygnału.
- Jeśli na przecięciu równika sygnał nie jest zmaksymalizowany, należy iść po równiku do punktu najwyższego natężenia sygnału. Znalezienie tylko równika sondy (przerywana linia na ekranie) NIE oznacza, że znaleziono sondę. Należy również znaleźć maksymalne natężenie sygnału. Jeśli sonda jest mocno przechylona, równik NIE będzie leżał bezpośrednio nad sondą, a odległości między sondą i każdym z biegunów nie będą równe. Jeśli sonda jest przechylona, należy zmaksymalizować sygnał.
- Zawsze potwierdzać punkt maksymalnego natężenia sygnału. Jeśli nie jest pewne, czy wszystkie wymagane warunki są spełnione, należy zawsze dokonać weryfikacji z obrazem mapy. W przypadku mapy zakłada się następujące warunki:
 1. Podłoże jest płaskie.
 2. Sonda leży płasko.
 3. Lokalizator Scout znajduje się nad podłożem.
 4. Lokalizator Scout jest trzymany w pozycji zbliżonej do pionowej, maszt anteny skierowany prosto w dół.

Jeżeli te warunki nie są spełnione, należy zwracać szczególną uwagę na zapewnienie maksymalizacji natężenia sygnału. Zasadniczo, w przypadku spełnienia powyższych warunków jeśli lokalizator Scout znajduje się około dwóch „głębokości” od źródła sygnału, mapa będzie przydatna i dokładna. Przy korzystaniu z mapy należy być tego świadomym, gdy namierzany obiekt lub źródło sygnału znajduje się bardzo płytko. Użyteczny obszar przeszukiwania tylko z użyciem mapy może być bardzo mały, jeżeli sonda znajduje się szczególnie płytko.

5.7 Przechylone sondy

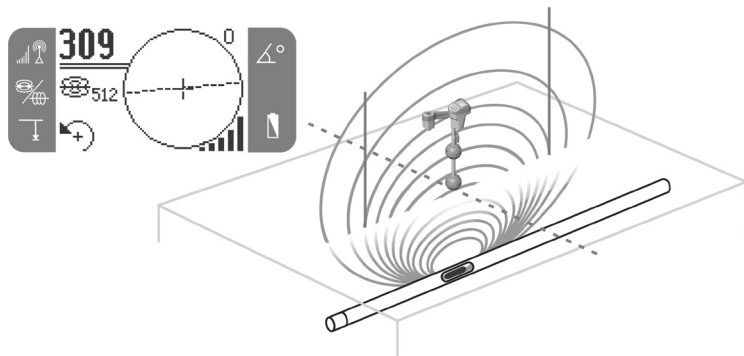
Jeśli sonda jest przechylona, jeden biegun przesunie się bliżej sondy, a drugi odsunie, więc lokalizacja sondy nie będzie się już znajdować w połowie odległości między dwoma biegunami. Natężenie sygnału bliższego bieguna będzie o wiele większe niż natężenie dalszego bieguna. W skrajnym przypadku, jeśli przechył sondy zbliży się do pionu, jeden biegun przesunie się do punktu bezpośrednio nad sondą i ten biegun będzie również odpowiadał punktowi maksymalnego natężenia sygnału. Drugi biegun nie będzie widoczny. Dzięki temu, nawet gdy sonda jest ustawiona pionowo, co jest możliwe przy wpadnięciu w wyrwę w przewodzie lub podziemny zbiornik, jej lokalizacja jest wciąż możliwa.

W przypadku pionowej sondy na ekranie widoczny jest biegun o maksymalnym natężeniu dźwięku.

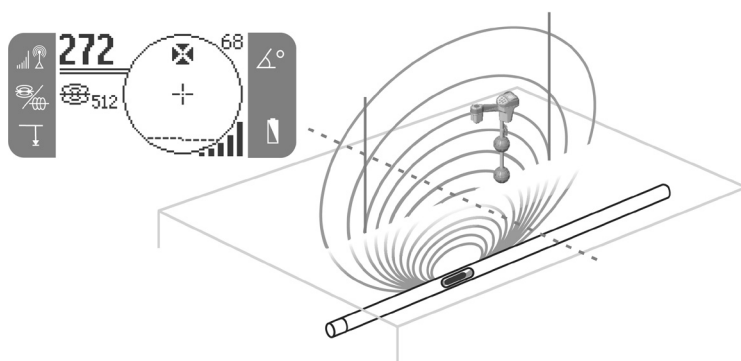


Antena wielokierunkowa umożliwia pomiar głębokości nawet przy przechylonej sondzie. W takich warunkach w celu pomiaru głębokości należy użyć funkcji wymuszenia odczytu głębokości (p. Pomiar głębokości).

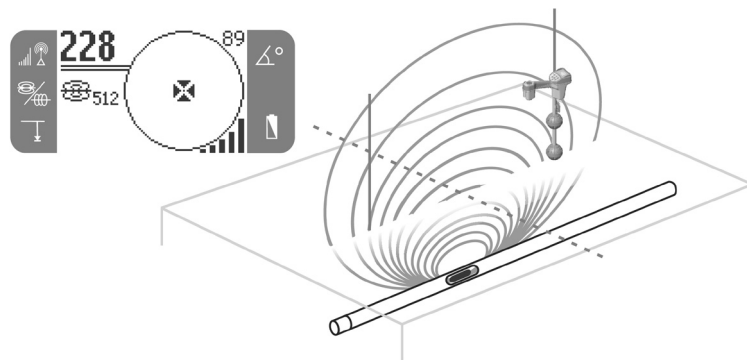
Mikromapa - Przykłady - Tryb Sonda



Lokalizator Scout na równiku



Lokalizator Scout opuszcza równik i zbliża się do bieguna



Lokalizator Scout na biegunie

6. Śledzenie przewodu lokalizatorem Scout

Lokalizatora Scout można używać również do śledzenia położenia rury lub przewodu, aby można było je oznaczyć na powierzchni. Określa się wtedy lokalizację przewodu, dzięki czemu można go ominąć podczas kopania lub odsłonić do przeprowadzenia naprawy lub wymiany. Za pomocą lokalizatora Scout można lokalizować przewody pod napięciem o różnych częstotliwościach lub można go używać pasywnie do przeszukiwania w celu lokalizacji długich przewodników transmitujących sygnał.

Przewody podziemne są ładowane nadajnikiem liniowym. Taki aktywny sygnał jest następnie śledzony za pomocą odbiornika, np. lokalizatora Scout.

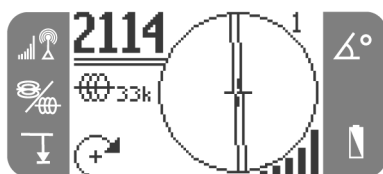
1. Podłączyć nadajnik liniowy do przewodu według instrukcji producenta.

Jako „nadajnik” rozumie się każde urządzenie generujące sygnał możliwy do zlokalizowania. Może być nim sonda, jak również inne urządzenie, które może nakładać kabel lub rurę.

2. Dopasować częstotliwości używaną przez nadajnik do używanej przez lokalizator Scout. Upewnić się, że przy częstotliwości jest wyświetlana ikona śledzenia ~. Nacisnąć klawisz menu głównego, aby powrócić na ekran lokalizowania.



3. Po rozpoczęciu śledzenia zaleca się w pierwszej kolejności obserwowanie natężenia sygnału w celu stwierdzenia jego spadków występujących przy oddalaniu lokalizatora Scout. Ustawić maszt na przewody lub sam nadajnik, jeśli pracuje się w trybie indukcyjnym. Nad przewodem powinien być wykazywany szczyt, a po jego stronach spadek. Jeśli natężenie sygnału NIE pokrywa się z liniami na ekranie, mogło dojść do zakłócenia sygnału.
4. Podczas śledzenia przebieg rury lub kabla jest przedstawiany na ekranie jako linie ciągłe. Utrzymanie linii na środku wskazuje, że lokalizator Scout śledzi podziemny przewód. Jeśli linia przesuwa się na prawo lub lewo, przesunąć lokalizator Scout, aby ustawić linię z powrotem na środku. Sygnał emitowany przez przewód jest najsilniejszy bezpośrednio nad przewodem. Jeśli nie chodzi o taki przypadek, występują zakłócenia.



UWAGA Przy użyciu częstotliwości śledzenia przewodu na ekranie wyświetlane są dwie linie. Przy użyciu częstotliwości sondy równik jest pojedynczą linią.

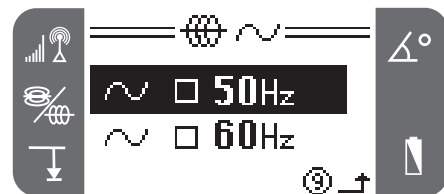
UWAGA Należy zachowywać ostrożność, aby ustrzec się zakłóceń sygnału, co mogłoby dawać niedokładne wskazania. Odczyty głębokości należy traktować jako wartości szacunkowe, które przed rozpoczęciem wykopów powinny być zweryfikowane.

5. Po rozpoczęciu śledzenia zaleca się w pierwszej kolejności obserwowanie natężenia sygnału w celu stwierdzenia jego spadków występujących przy oddalaniu lokalizatora Scout. Ustawić maszt na przewody lub sam nadajnik, jeśli pracuje się w trybie indukcyjnym. Nad przewodem powinien być wykazywany szczyt, a po jego stronach spadek. Jeśli natężenie sygnału NIE pokrywa się z liniami na ekranie, mogło dojść do zakłócenia sygnału.

6.1 Śledzenie pasywnej linii prądu przemiennego

W trybie pasywnym lokalizator Scout wykrywa prąd przemienny lub pola generowane przez taki prąd. Zakopane linie energetyczne zazwyczaj nie emitują wykrywalnego sygnału, jeśli przewody nie są zasilane. Przykładowo, wyłączone sygnalizatory uliczne trudno jest wykryć pasywnie.

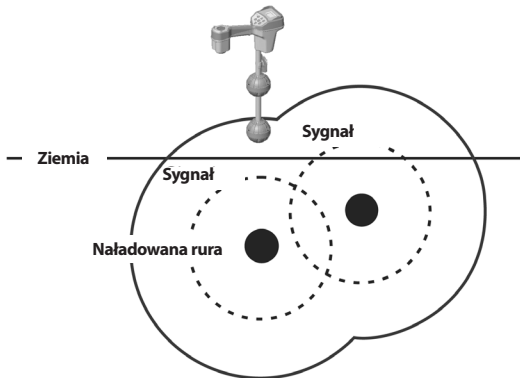
1. Wybrać częstotliwość śledzenia pasywnej linii prądu przemiennego za pomocą ikony śledzenia pasywnej linii ~.
2. W standardzie lokalizator Scout ma dwie (2) częstotliwości śledzenia pasywnej linii prądu przemiennego. Częstotliwości te to 50 Hz i 60 Hz.



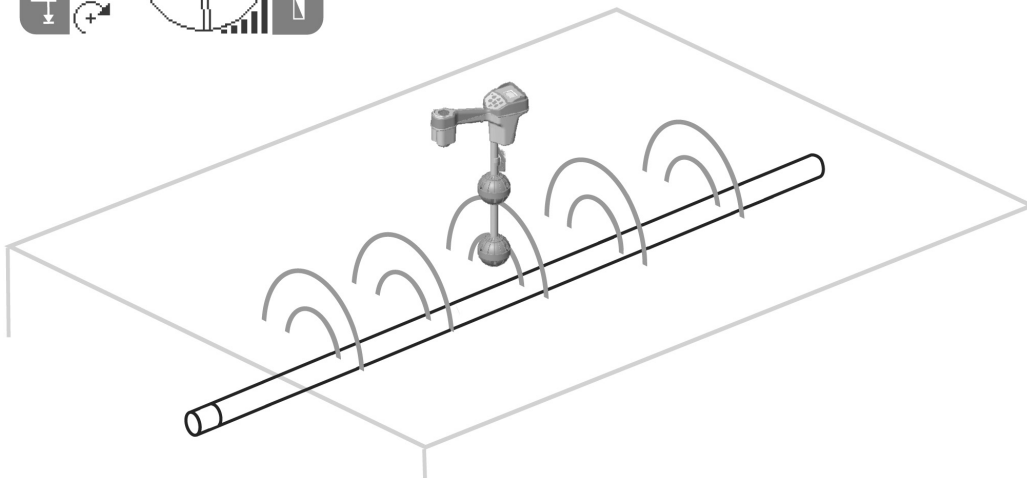
6.2 Wskazówki robocze przy śledzeniu przewodów

- **Jeśli linie nie są wyśrodkowane na mapie przy zmaksymalizowanym natężeniu sygnału, to wystąpiły zniekształcenia!**
 - a. Należy zmienić używaną częstotliwość na niższą.
 - b. Przesunąć kołek uziemiający dalej od śledzonego przewodu.
 - c. Upewnić się, że przewód nie posiada wspólnego punktu z inną siecią mediów.
- Jeśli linie nie są wyśrodkowane lub przesuwały się na ekranie w niewytłumaczalny sposób, lokalizator Scout może nie odbierać wyraźnego sygnału.
 - a. Sprawdzić, czy nadajnik działa prawidłowo i jest dobrze uziemiony.
 - b. Sprawdzić obwód, kierując dolną anteną na obydwa przewody nadajnika.
 - c. Sprawdzić, czy lokalizator Scout oraz nadajnik pracują na tej samej częstotliwości.
 - d. Rozpoczynając od wartości najniższej, sprawdzić inne częstotliwości, aż przewód będzie można wykryć bez problemów.
- Prąd przepływa najlepiej z najmniejszych przewodów do największych (o najniższej oporności). Przykład pokazuje śledzenie rury z budynku do ulicy.
- Podczas śledzenia sygnał powinien być zmaksymalizowany, a głębokość zminimalizowana w tym samym miejscu, gdzie linie wyśrodkowują się na ekranie. Jeżeli tak nie jest, może to oznaczać, że linia sieci zmienia kierunek lub występują inne sprzężone sygnały.
- Wyższe częstotliwości charakteryzują się wyższą upływnością, ale mogą okazać się nieuniknione przejścia nad przerwami w śledzonych przewodach lub obejścia nad izolującymi łącznikami.

- Używając nadajnika w trybie indukcyjnym, lokalizowanie należy zaczynać w odległości około 10 / 15 m, aby uniknąć „sprzężenia powietrznego”. Zachodzi to przy przechwyceniu przez lokalizator Scout sygnału z nadajnika bezpośrednio z powietrza, a nie ze śledzonego przewodu. Jeżeli linie nie dają się wyśrodkować lub w niewytłumaczalny sposób przesuwają się na ekranie, oznacza to, że lokalizator Scout może nie odbierać czystego sygnału.
 - a. Podłoże jest płaskie.
 - b. Przewód leży płasko,
 - c. Lokalizator Scout znajduje się nad podłożem.
 - d. Maszt anteny lokalizatora Scout jest ustawiony w przybliżeniu pionowo.
- Jeżeli te warunki nie są spełnione, należy zwracać szczególną uwagę na zapewnienie maksymalizacji natężenia sygnału. Zasadniczo, jeśli lokalizator Scout znajduje się około dwóch „głębokości” od przewodu, mapa będzie przydatna i dokładna. Należy być tego świadomym korzystając z mikromapy, gdy namierzany obiekt lub przewód znajduje się bardzo płytko. Użyteczny obszar przeszukiwania na mikromapie może być bardzo mały, jeżeli przewód znajduje się szczególnie płytko.



Mikromapa - Przykład - Śledzenie przewodu



7. Menu narzędziowe

7.1 Zmiana jednostek głębokości

W lokalizatorze Scout można ustawiać jednostki pomiaru głębokości stopy lub metry. Aby zmienić te ustawienia, wystarczy podświetlić ikonę głębokości w menu narzędziowym, a następnie nacisnąć klawisz wyboru w celu przełączenia między stopami i metrami.



7.2 Automatyczne podświetlenie

Niski poziom światła otoczenia jest wykrywany przez czujnik światła umieszczony w górnym lewym rogu klawiatury. Blokując kciukiem dopływ światła do tego czujnika, można wymusić włączenie podświetlenia.

Automatyczne podświetlenie LCD jest ustawieniem fabrycznym, włączającym się w warunkach bardzo słabego oświetlenia. Ma na celu oszczędzanie baterii. Kiedy baterie będą na wyczerpaniu, podświetlenie będzie słabsze. Krótco przed wyczerpaniem baterii podświetlenie jest bardzo słabe, aby oszczędzać baterie.

Aby wyłączyć podświetlenie, należy podświetlić ikonę żarówki w części menu narzędziowego i nacisnąć klawisz wyboru w celu przełączenia z opcji automatycznej na wyłączenie.



7.2.1 Kontrast wyświetlacza LCD

Podświetlenie i wybranie tej opcji umożliwia regulację kontrastu wyświetlacza LCD za pomocą strzałek w górę i w dół.



8. Przydatne informacje

8.1 Zakłócenia sygnału

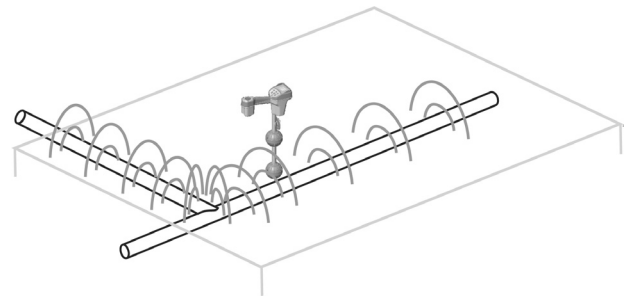
8.1.1 Pola zniekształcone

Czasami jedno pole może natrafić w gruncie na materiał metalowy lub zawierający żelazo w innej postaci, który może zniekształcić linie pola. Może to być inna sieć mediów, zakopany odpad lub stare, nieużywane przewody, które mogą bocznikować lub skracać linie pola. W takiej sytuacji lokalizator

Scout może pokazywać słabszy sygnał wokół obiektu i silniejszy sygnał bezpośrednio nad nim. Obiekt może działać jak soczewka wzmacniająca lub osłabiająca sygnał w sposób nieprzewidywalny.

8.1.2 Pola złożone

Możliwe jest występowanie pól złożonych. Na styku dwóch lub więcej pól może tworzyć się silniejszy sygnał. Ważne jest, aby operator był tego świadomy występowania pól złożonych na rozgałęzieniach i kątach prostych zakręcenia przewodów.



Pole złożone pokazywane wokół łącza przewodu.

8.1.3 Szumy

Sygnaly zakłócające (szumy) są naturalnym zjawiskiem w lokalizacji. Zakłócenia mogą występować na używanej częstotliwości lub „poza pasmem” na innych częstotliwościach. Największe sygnały zakłócające mogą być generowane przez urządzenia do przesyłu energii elektrycznej. Transformatory energetyczne, duże silniki elektryczne lub generatory i przewody mogą być źródłem bardzo dużych sygnałów szumów. W miarę możliwości należy unikać obszarów o szczególnie wysokich szumach.

Jeśli pokazywany kąt jest niestabilny i nieustalony lub poziomy sygnał niestały, wskazuje to wyraźnie na brak sygnału szukanego (sondy lub naładowanego przewodu) lub wysoki poziom szumów zakłócających.

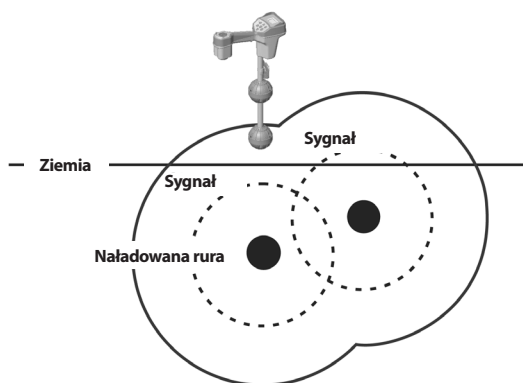
8.2 Uwagi dotyczące dokładności

Pomiary głębokości i natężenia sygnału zależą od tego, czy lokalizator Scout odbiera silny sygnał. Należy pamiętać, że lokalizator Scout jest używany nad gruntem do wykrywania pól elektromagnetycznych emitowanych spod ziemi lub z ukrytych linii (przewodników elektrycznych jak przewody i rury metalowe) lub sond (aktywnych nadajników). Jeśli wykryte pola nie są złożone i zakłócone, przedstawiają zakopany obiekt.

Jeśli takie pola są zniekształcone oraz istnieje wiele pól oddziaływujących, lokalizacja za pomocą urządzenia Scout będzie niedokładna. Lokalizowanie nie jest „nauką ścisłą”. Wymaga ono od operatora analizy i zgromadzenia wszystkich dostępnych informacji nie ograniczających się tylko do odczytu przyrządu. Lokalizator Scout dostarcza operatorowi więcej informacji, ale to operator musi zinterpretować te informacje w odpowiedni sposób. Żaden producent lokalizatorów nie będzie deklarował, aby operator opierał się wyłącznie na informacjach z jego urządzenia.

Warunki, w których dokładność lokalizowania może być wątpliwa:

- **Obecne są inne przewody lub sieci mediów.** Przenikalność może powodować zniekształcenia pól i ukazywać przewody w sposób niezamierzony. Jeśli to możliwe, należy używać niższych częstotliwości i eliminować wszelkie połączenia między dwoma przewodami.



- **Nadajnik pracuje indukcyjnie.** W takiej sytuacji do przewodu podawany jest słaby sygnał. Należy używać bezpośredniego połączenia, kiedy to tylko jest możliwe.
- **W przewodzie znajdują się rozgałęzienia, zakręty lub rozwarstwienia.** Mogą one zakłócać sygnał.
- **Natężenie sygnału jest niskie.** Do dokładnego lokalizowania konieczny jest silny sygnał.
- **Stan podłoża jest zróżnicowany.** Na pomiary mogą mieć wpływ skrajne wartości wilgotności, zarówno zbyt wysuszenie jak i zbyt nasycenie. Przykładowo, gleba namokła słońcą wodą, np. na wybrzeżach, będzie tłumić silnie sygnał i utrudniać lokalizowanie.

9. Transport i przechowywanie

Przed transportowaniem należy sprawdzić, czy urządzenie zostało wyłączone, aby oszczędzać baterie.

Podczas transportu należy dopilnować, aby urządzenie było zabezpieczone i nie podskakiwało, ani nie było uderzane przez luźne części wyposażenia. Lokalizator Scout należy przechowywać w chłodnym, suchym miejscu.

W przypadku przechowywania lokalizatora Scout przez dłuższy czas należy wyjąć baterie.

10. Montaż/użytkowanie akcesoriów

Wraz z lokalizatorem Scout dostarczane są znaczniki służące do oznaczania umiejscowienia biegunów lub sondy na podłożu. Do oznaczania biegunów służą dwa (2) czerwone znaczniki, a do oznaczania sondy jeden (1) żółty znacznik.

W celu uzyskania dalszego wsparcia technicznego prosimy o kontakt z lokalnym dostawcą lub przedstawicielem firmy RIDGID.

11. Konserwacja i czyszczenie

⚠ OSTRZEŻENIE

1. **Lokalizator SR-60 należy czyścić regularnie wilgotną ściereczką i łagodnym detergentem. Nie zanurzać w wodzie.**
2. **Podczas czyszczenia nie używać narzędzi skrobiących ani środków ściernych, ponieważ mogłoby to spowodować trwałe zarysowanie wyświetlacza. NIE WOLNO STOSOWAĆ ROZPUSZCZALNIKÓW do czyszczenia jakiegokolwiek części systemu. Takie substancje, jak aceton lub inne chemikalia o silnym działaniu, mogą powodować pęknięcie obudowy.**

12. Lokalizowanie wadliwych elementów

Sugestie dotyczące rozwiązywania problemów znaleźć można w przewodniku rozwiązywania problemów na końcu niniejszego podręcznika. W razie potrzeby dalsze informacje i pomoc można uzyskać, kontaktując się w firmą Ridge Tool lub lokalnym dostawcą.

13. Serwis i naprawa

⚠ OSTRZEŻENIE

Narzędzie powinno być przekazane do niezależnego autoryzowanego centrum serwisowego RIDGID.

14. Poradnik wykrywania i usuwania usterek

PROBLEM	PRAWDOPODOBNA LOKALIZACJA USTERKI
Lokalizator blokuje się podczas pracy.	Wyłączyć urządzenie, a następnie ponownie włączyć. Jeżeli przyrząd nie wyłącza się, należy wyjąć baterie.
Linie na mikromapie „skaczą” po ekranie podczas namierzania obiektów.	Wskazuje to, że lokalizator Scout nie odbiera sygnału lub występują zakłócenia.
	Upewnić się, czy nadajnik jest prawidłowo przyłączony i uziemiony. Zwrócić lokalizator Scout w kierunku dowolnego przewodu, aby upewnić się, że uzyskuje się zamknięty obwód.
	Wypróbować wyższą częstotliwość.
	Postarać się ustalić źródło szumów i wyeliminować je.
Podczas lokalizowania sondy linie „skaczą” po całym ekranie.	Sprawdzić baterie w sondzie, czy działają.
	Zweryfikować sygnał, umieszczając dolną antenę blisko sondy. Uwaga – Emisja sygnału sondy poprzez rury wykonane z żeliwa lub żeliwa sferoidalnego jest utrudniona.
Odległości pomiędzy sondą i oboma biegunami nie są jednakowe.	Sonda może być przechylona lub rura żeliwna może przechodzić w rurę z tworzywa sztucznego.
Urządzenie działa nieprawidłowo, nie można go wyłączyć.	Baterie mogą być wyczerpane. Założyć nowe baterie i włączyć urządzenie.
Po włączeniu ekran wyświetlacza jest całkowicie ciemny lub całkowicie jasny.	Wyłączyć urządzenie, a następnie ponownie włączyć.
	Wyregulować kontrast ekranu wyświetlacza LCD.
Brak dźwięku.	Dostosować poziom głośności dźwięku w menu dźwięku.
Lokalizator Scout nie odbiera sygnału.	Sprawdzić, czy jest ustawiony prawidłowy tryb pracy oraz częstotliwość.
Lokalizator Scout nie włącza się.	Sprawdzić prawidłowość orientacji baterii. Sprawdzić, czy baterie nie są wyczerpane. Sprawdzić stan styków baterii. W urządzeniu mógł przepalić się bezpiecznik (wymagane serwisowanie producenta).

15. Dane techniczne

Masa z bateriami.....	1,4 kg
Masa bez baterii.....	1 kg
Wymiary	
Długość.....	28,5 cm
Szerokość.....	11,0 cm
Wysokość.....	56,0 cm
Źródło zasilania	
4 baterie typu C, 1,5 V, alkaliczne (ANSI/NEDA 14 A, IEC LR14) lub akumulatorki 1,2 V NiMH bądź NiCd	
Parametry znamionowe zasilania:	
6 V, 550 mA	
Środowisko robocze	
Temperatura.....	20°C do 50°C
Wilgotność	5% do 95% wilgotności względnej
Temperatura przechowywania.....	-20°C do 60°C
Standardowe częstotliwości	
Sonda.....	512 Hz, 640 Hz, 874 Hz, 33 kHz
Aktywne śledzenie przebiegu linii ..	512 Hz, 8 kHz, 33 kHz
Pasywne śledzenie przebiegu linii ..	60 Hz, 50 Hz

Ustawienia domyślne

Ustawienia domyślne lokalizatora:

Jednostki głębokości = metr i centymetr

Głośność = 1 (jeden stopień powyżej wyciszenia)

Podświetlenie = automatyczne

Wyposażenie standardowe

- Lokalizator Scout
- Znaczniki i uchwyt masztu
- 2 podręczniki obsługi: USA i Europa
- 4 baterie typu C (alkaliczne)
- System wideo PAL

Wyposażenie opcjonalne

- Dodatkowe znaczniki bieguna/sondy
- Nadajnik NaviTrack
- Opaska indukcyjna
- Bateria sondy
- Pływak

16. Legenda ikon
IKONY WYŚWIETLACZA

- Częstotliwość sondy
 - Częstotliwość śledzenia aktywnego
 - Częstotliwość pasywnego śledzenia (prąd zmienny)
 - Poziom dźwięku
 - Poziom baterii
 - Głębokość
 - Wskaźnik kąta względem poziomu
 - Moc sygnału
 - Menu narzędziowe
 - Kontrast wyświetlacza LCD
 - Podświetlenie wyświetlacza LCD
- IKONY KLAWIATURY**
- Nawigacja menu
 - Resetowanie wysokości dźwięku / Wybór opcji menu
 - Nawigacja menu / Wymuszenie odczytu głębokości (naciskać 3 s)
 - Klawisz WŁ./WYŁ. zasilania
 - Klawisz Menu
 - Klawisz trybu Sonda / Śledzenie / Częstotliwość
 - Klawisz ustawiania głośności

RO

NaviTrack Scout Instrucțiuni de exploatare

Traducere a instrucțiunilor originale



**INFORMAȚII GENERALE PRIVIND SIGURANȚA
AVERTIZARE! Citiți și înțelegeți toate instrucțiunile.
Nerespectarea tuturor instrucțiunilor prezentate mai
jos poate duce la electrocutări, incendii și/sau răniri
grave.**

**CITIȚI INSTRUCȚIUNILE DE TEHNICA SECURITĂȚII ALĂTURATE.
PĂSTRAȚI ACESTE INSTRUCȚIUNI!**

Declarația de conformitate CE (890-011-320.10) va însoți acest manual ca o broșură separată când e cazul.

Măsuri de protecție pentru baterii

- **Utilizați numai dimensiunea și tipul specificat de baterie. Nu amestecați tipurile de baterii (de ex. nu folosiți baterii alcaline împreună cu baterii reincărcabile).** Nu folosiți baterii parțial descărcate împreună cu altele complet încărcate (de ex. nu amestecați bateriile vechi și noi).
- **Reîncărcați bateriile cu unitățile de încărcare specificate de fabricantul bateriei.** Utilizarea unui încărcător necorespunzător poate cauza supraîncălzirea și spargerea bateriei.
- Debarasați-vă în mod corespunzător de baterii. Expunerea la temperaturi ridicate poate cauza explozia bateriilor, deci nu le aruncați în foc. Unele țări au reglementări privind dezafectarea bateriilor. Vă rugăm să respectați toate reglementările aplicabile.

1. Utilizarea și îngrijirea unității Scout

- **Utilizați echipamentul numai conform instrucțiunilor.** Nu puneți în funcțiune Scout decât după finalizarea instruirii corespunzătoare și citirea manualului de exploatare.
- **Nu imersați antenele în apă.** A se păstra în spații uscate. Aceste măsuri reduc riscul electrocutării și deteriorării aparatului.
- **Controlați pentru eventuale defecte ale pieselor, și orice alte stări care ar putea afecta funcționarea Scout.** Dacă există defecțiuni, duceți dispozitivul la reparat înainte de utilizare. Numeroase accidente sunt cauzate de echipamente slab întreținute.
- **Utilizați pentru Scout numai accesoriile recomandate de fabricant.** Accesoriile adecvate pentru un aparat pot deveni periculoase când sunt utilizate cu altul.
- **Mențineți mânerul uscat și curat, lipsite de ulei și vaselină.** Permite un control mai bun al aparatului.
- **Protejați-l față de căldura excesivă.** Produsul trebuie ferit de surse de căldură precum radiatoare, termosuflyante, cuptoare sau alte produse (inclusiv amplificatoare) care generează căldură.

1.1 Service

- **Lucrările de service pentru problemele legate de acest dispozitiv trebuie efectuate numai de către personal calificat pentru reparații.** Lucrările de service sau de întreținere efectuate de personalul necalificat pentru reparații poate duce la răniri.

- **Asigurați curățarea corespunzătoare.** Scoateți bateria înainte de curățare. Nu folosiți agenți de curățare lichizi sau aerosoli de curățare. Utilizați o cârpă umedă pentru curățare.
- **Efectuați un control de siguranță.** La terminarea lucrărilor de service sau de reparații efectuate asupra acestui produs, solicitați tehnicianului de service să efectueze verificări de siguranță pentru a determina dacă produsul se află în condiții corespunzătoare de funcționare.
- **Defecțiuni care necesită lucrări de service.** Scoateți acumulatorii și duceți dispozitivul la personalul de service calificat într-una dintre următoarele condiții:
 - Dacă s-a vărsat lichid sau au căzut obiecte în produs.
 - Dacă produsul nu funcționează normal, după respectarea instrucțiunilor de operare.
 - Dacă produsul a fost scăpat din mână sau avariat în vreun fel.
 - Când produsul prezintă o modificare clară în performanță.

În orice corespondență, vă rugăm să indicați toate informațiile afișate pe placa de identificare a instrumentului, inclusiv numărul și seria modelului.

1.2 Anunț important

Scout este instrument de diagnosticare care detectează câmpurile electromagnetice emise de obiecte din subteran. Este destinat să ajute utilizatorul la localizarea acestor obiecte prin recunoașterea caracteristicilor liniilor câmpului și afișarea acestora pe ecran. Întrucât liniile câmpului electromagnetic pot fi deformate și influențate, este importantă verificarea locației obiectelor subterane înainte de a săpa.

Mai multe utilități pot fi în subteran în aceeași zonă.

Aveți grijă să urmați directivele locale

Dezgroparea utilității este singurul mod în care puteți verifica existența, amplasarea și adâncimea acesteia.

Ridge Tool Co., companiile sale afiliate și furnizorii, nu răspund pentru nici o accidentare și nici o daună directă, indirectă sau incidentală suferită sau produsă ca urmare a utilizării Scout. Mai multe utilități pot fi în subteran în aceeași zonă. Aveți grijă să urmați directivele locale

2. Prezentarea Scout

Sonda și detectorul de conducte Scout™ utilizează antene multidirecționale și procesare avansată pentru a face rapidă, precisă și ușoară localizarea sondelor și detectarea utilităților îngropate.

2.1 Care sunt caracteristicile sale unice?

Tehnologia avansată Scout oferă mai multe caracteristici unice față de localizatoarele convenționale:

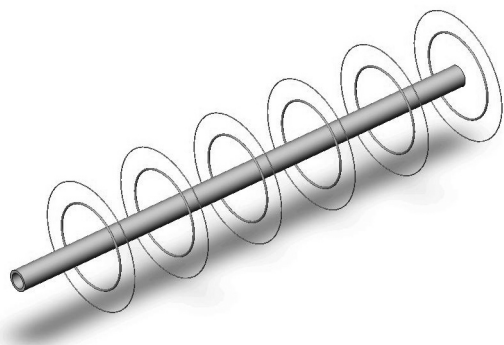
- Sistem de antenă multidirecțională.
- Vedere de microhartă.
- Indicarea caracteristicilor distincte ale semnalului.

2.2 Ce face?

Scout este utilizat deasupra solului pentru a sesiza și detecta câmpurile electromagnetice emise de liniile subterane sau ascunse (conductori electrici precum cabluri și conducte de metal) sau sonde (balize emițătoare active). Când câmpurile sunt simple și nedeformate, câmpurile detectate sunt reprezentative pentru obiectul îngropat. Scout localizează obiecte conductibile care emit un câmp; el nu detectează direct obiectele subterane.

Câmpurile electrice emise de obiectele îngropate pot fi de două tipuri; primul tip este emis de conductorii lungi precum cablurile sub tensiune, cablurile împingătoare ale camerelor de inspecție sau conductele.

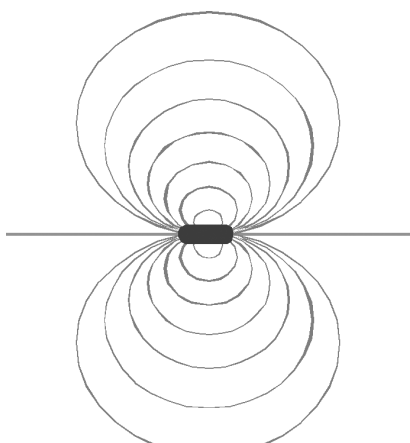
Aceste obiecte produc un câmp lung cilindric și operațiunea este frecvent denumită detectare de „linii”.



Câmpul emis de o linie încărcată.

(Detectarea pasivă, CA este doar un caz special unde linia este „activată” cu energie electrică.)

Al doilea tip, sondele (numite de asemenea emițătoare, girofaruri, sau sesizoare active de conducte), emit un câmp cu o formă diferită și Scout este programat să măsoare și să afișeze acest tip de câmp. Câmpul cu forma mai complexă a unei sonde este numit câmp dipol, și este același cu cel produs de o bară magnetică și de planeta noastră Pământ.

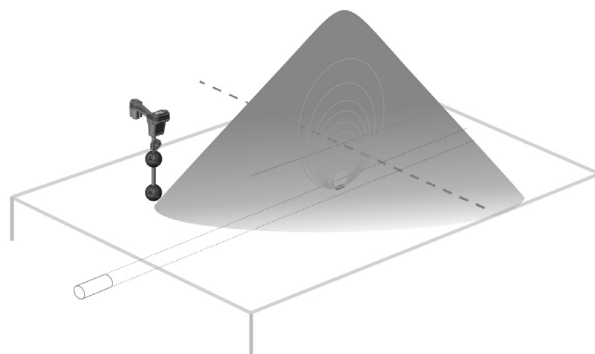


Câmpul dipol emis de o sondă.

Câmpurile electromagnetice au trei (3) proprietăți importante: frecvență, putere și unghi (direcție). Spre deosebire de localizatoarele convenționale, care pot măsura numai puterea în direcția antenei (antenelor) individuale, Scout măsoară atât puterea semnalului cât și unghiurile câmpului în trei dimensiuni (3D). Această capacitate perfecționată face posibil afișajul de cartare.

Operatorul experimentat poate utiliza această informație suplimentară pentru a accelera procesul de localizare și pentru a elucida situațiile complexe de localizare. Pe de altă parte, utilizatorul ocazional sau începător poate localiza ușor utilizând doar puterea semnalului.

Regula nr.1 a localizării cu Scout este „numărul să fie mare”! – Maximizarea puterii semnalului este metoda de localizare cheie, fundamentală.



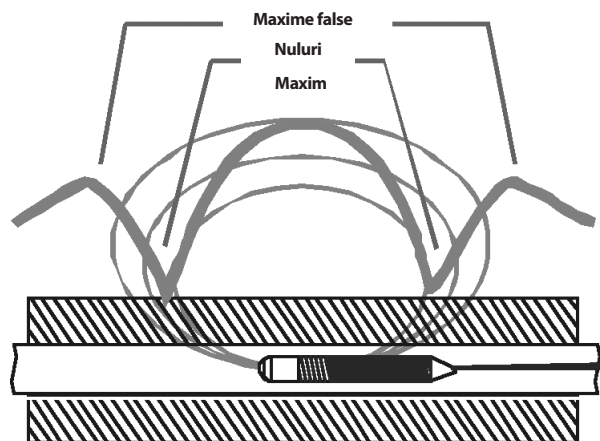
Exemplu pentru modul în care Scout maximizează direct deasupra sondei.

Indiferent dacă se detectează o linie sau se localizează o sondă, puterea maximă a semnalului survine deasupra țintei. Adâncimea este afișată când se ajunge deasupra țintei.

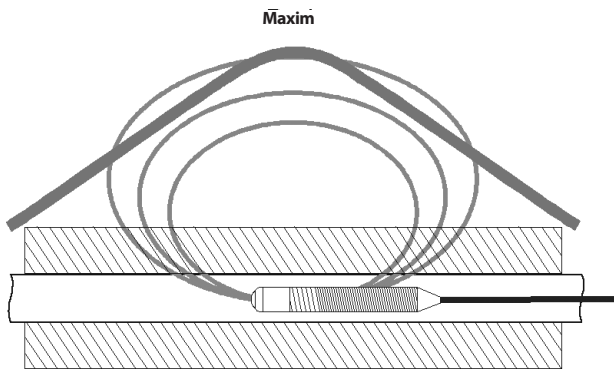
2.3 Care este avantajul multidirecțional Scout?

Vizualizarea în întregime a semnalului cu antene multidirecționale oferă avantaje categorice:

1. Semnalul devine întotdeauna mai puternic pe măsură ce utilizatorul se apropie de țintă.
2. Elimină nulurile și „maximele fantomă”. Semnalul detectorului convențional are un maxim, apoi un nul și apoi un maxim mai mic. Acest lucru poate deruta operatorul, în special dacă interpretează un vârf mai mic drept țintă (cunoscute sub numele de vârfuri „fantomă” sau „false”). Scout vede doar un maxim, îndrumând utilizatorul spre țintă.



Semnalul sondei așa cum este „văzut” de un detector convențional. Maxima principală în centru și două maxime false în afara celor două nuluri.



Semnalul sondei așa cum este „văzut” de Scout. Numai un maxim, fără nului.

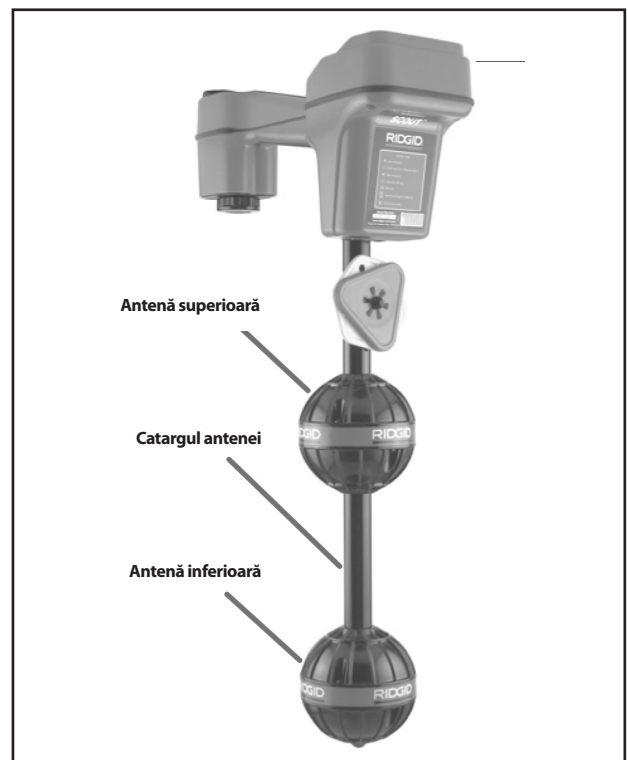
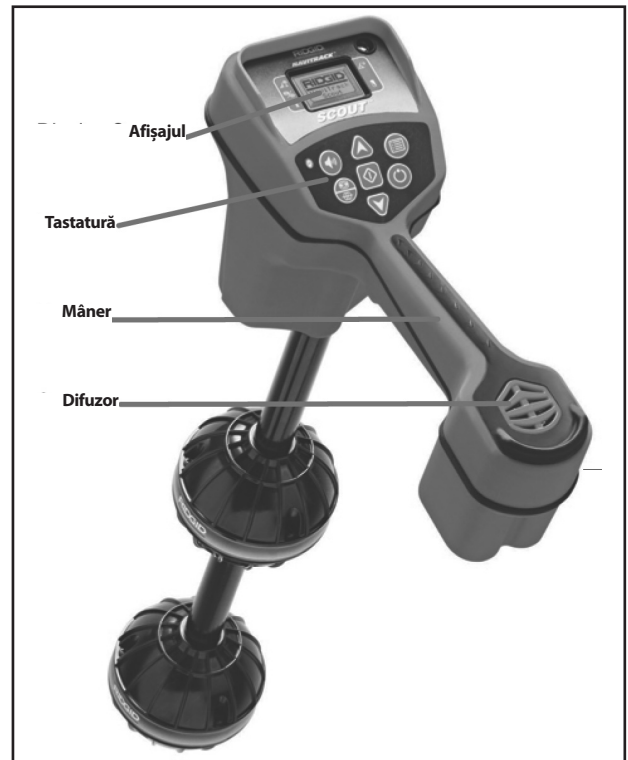
3. Modul în care este ținută unitatea nu afectează puterea semnalului. Utilizatorul se poate apropia din orice direcție și nu trebuie să cunoască așezarea conductei sau cablului.
4. Instrumentele suplimentare pentru identificarea și rezolvarea localizărilor „dificile” includ o microhartă grafică și un indicator de unghi pentru a ajuta la interpretarea caracteristicilor semnalului.

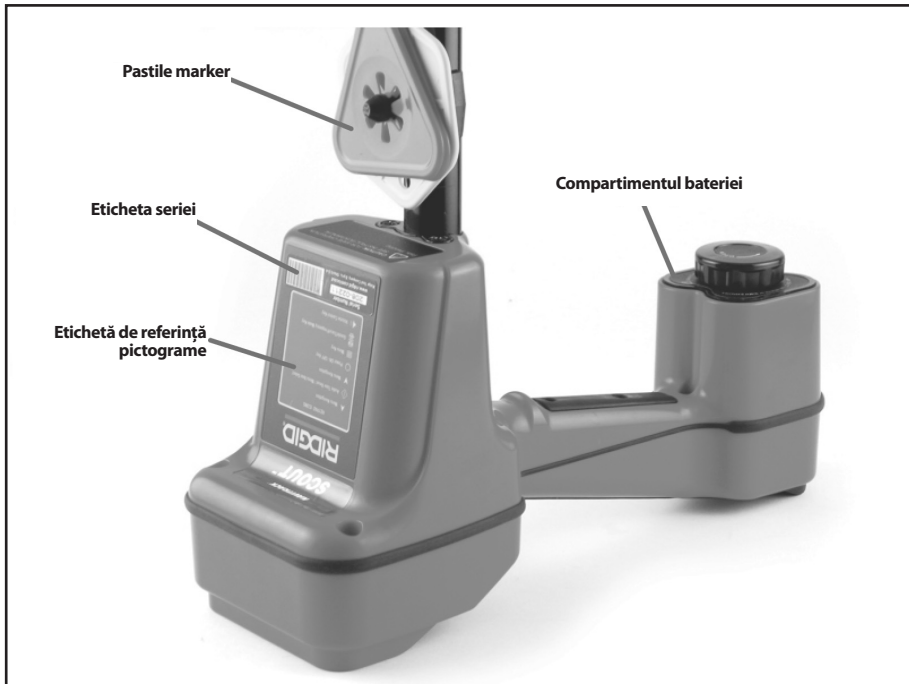
2.4 Care este avantajul microhărții?

Harta oferă grafice care prezintă caracteristicile semnalului. Este o vedere de sus a semnalului din subteran, prezentat grafic pe ecran. Este utilizat ca un îndrumător pentru detectarea liniilor subterane, și poate fi utilizat pentru a localiza mai precis sondele. Poate fi utilizat de asemenea pentru a furniza mai multe informații pentru localizări complexe.

Prin deplasarea detectorului deasupra solului, Scout trece deasupra semnalului emis de obiectele din subteran. Acest lucru permite utilizatorului să vadă pe ecran vizualizări ale semnalului și apoi să le marcheze. Detectoarele convenționale nu pot cartă semnalul din subteran deoarece antenele lor nu pot vedea forma completă a acestuia.

3. Componentele Scout

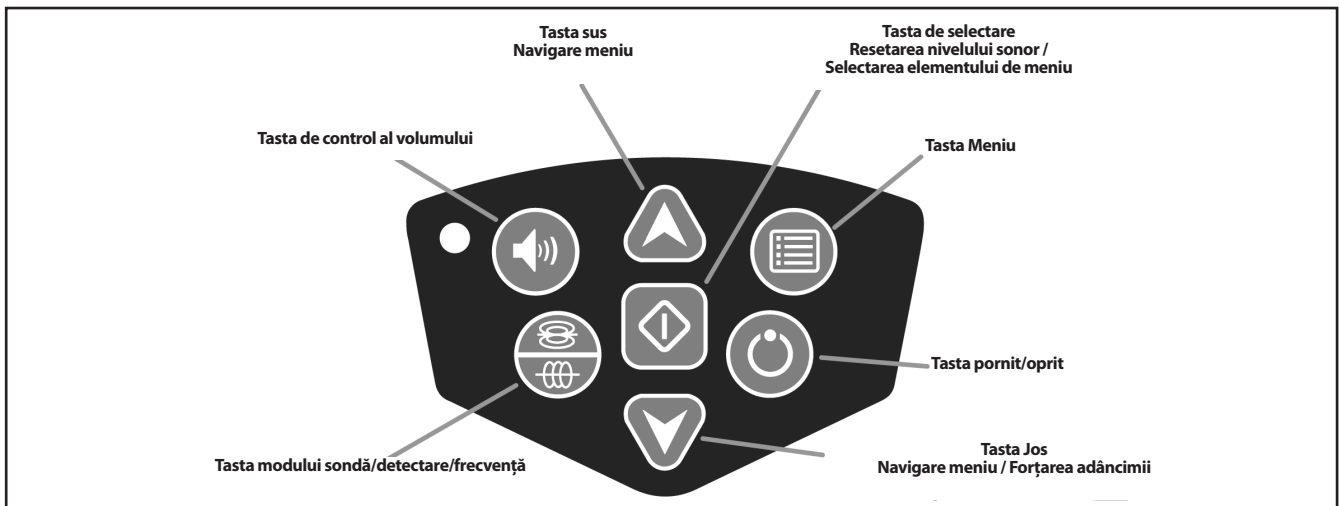




Afișajul



Tastatură



Tasta de control al volumului – deschide și închide meniul nivelului sonorului.

Tasta modului sondă/detectare/frecvență – comută frecvențele active și funcțiile.

Tasta sus – parcurge în sus opțiunile meniului.

Tasta de selectare – selectează opțiunea evidențiată când un meniu este deschis.

Tasta jos – parcurge în jos opțiunile meniului.

Tasta meniu – deschide/inchide meniul.

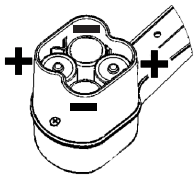
Tasta pornit/oprit – pornește și oprește Scout.

4. Punerea în funcțiune

4.1 Instalarea/schimbarea bateriilor

Pentru a instala bateriile în Scout, răsturnați unitatea pentru a accesa compartimentul bateriilor. Rotiți butonul de pe capacul bateriilor în sens opus acelor de ceasornic. Trageți drept în sus butonul pentru a scoate ușa. Introduceți bateriile așa cum este prezentat pe abțibildul din interior și asigurați-vă că intră complet în contact.

Instalați ușa în carcasă și rotiți butonul în sensul acelor de ceasornic apăsând în același timp ușor în jos pentru a-l închide. Capacul bateriei poate fi instalat cu oricare orientare.



Când Scout este alimentat, controlul bateriilor durează câteva secunde. Până atunci nivelul bateriei va indica "descărcat".

⚠ AVERTIZARE

Nu permiteți pătrunderea reziduurilor în compartimentul bateriei. Reziduurile din compartimentul bateriei pot scurtcircuita contactele bateriilor, ducând la descărcarea rapidă a bateriilor, ceea ce poate cauza scurgeri de electrolit sau risc de incendiu.

4.2 Duratele de funcționare

Durata tipică de funcționare pentru Scout Locator, când se utilizează baterii alcaline, se situează între 12 - 24 ore în funcție de factori precum volumul sunetului, și cât de frecvent este aprinsă lumina de fundal. Alți factori care afectează durata de funcționare includ chimia bateriei (multe din bateriile noi de performanță superioară, precum „Duracell® ULTRA” durează cu 10% - 20% mai mult decât bateriile alcaline convenționale în condiții intense de solicitare). Exploatarea la temperaturi joase va micșora de asemenea durata de viață a bateriei.

Pentru a prelungi durata de viață a bateriei, Scout se va închide automat după 1 oră în care nu au fost apăstate tastele. Porniți pur și simplu unitatea pentru a relua utilizarea.

4.3 Pornirea și oprirea

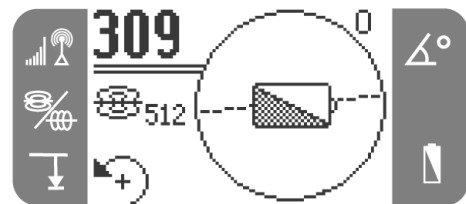
Porniți alimentarea prin apăsarea tastei de pornire de pe tastatură. Se afișează sigla RIDGID®, în colțul din dreapta jos apare numărul versiunii de software.



Oprți unitatea prin apăsarea și eliberarea tastei de pornire de pe tastatură. Rețineți că există o întârziere de câteva secunde în timpul pornirii/oprii aparatului.

4.4 Avertizarea de baterie descărcată

Când bateria se descarcă, în zona hărții de pe ecran apare o pictogramă de baterie. Aceasta indică necesitatea înlocuirii bateriilor și că unitatea se va opri în curând.



Înainte de oprirea completă va fi o secvență de număratoare inversă de decuplare care nu poate fi întreruptă.

În unele cazuri, tensiunea pe bateriile reincărcabile poate scădea atât de brusc încât unitatea se oprește. Unitatea se va opri și va reporni. Doar înlocuiți bateriile și reporniți unitatea.

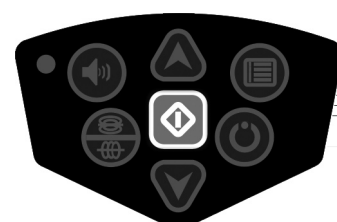
5. Pregătirea

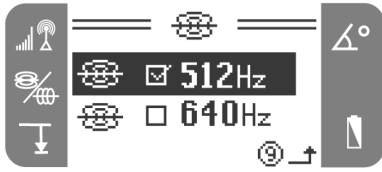
După ce Scout este pus în funcțiune, următorul pas este stabilirea frecvențelor necesare potrivite echipamentului care urmează a fi localizat. Fiecare este activată pentru utilizare prin selectarea dintr-o listă din meniu.

1. Apăsați tasta meniu, evidențiați selecția, apoi apăsați tasta de selectare pentru a activa:



2. Utilizând săgețile sus și jos evidențiați o frecvență potrivită cu cea utilizată în sondă sau de emițătorul liniei, apoi apăsați tasta de selectare pentru a bifa caseta. Vezi opțiunile meniului pentru referință. Apăsați tasta meniu pentru a reveni la ecranul principal.





AVERTIZARE

Asigurați-vă că frecvența selectată se potrivește cu utilizarea dorită. 512 și 33 sunt disponibile ca frecvențe de sonde și de detectare de conducte. Utilizarea unei frecvențe de sondă pentru detectarea de conducte sau invers poate cauza afișarea de către Scout a unor informații incorecte de adâncime.

- Acum apăsați tasta modulului sondă/detectare/frecvență pentru a trece prin frecvențele activate și moduri. Fiți atenți la pictogramele de pe ecran pentru a vedea care este modul în care funcționează Scout.



- Dacă adâncimea, lumina de fundal automată sau contrastul LCD trebuie potrivite, evidențiați selectarea în secțiunea de instrumente a meniului și efectuați schimbările utilizând tasta de selectare.



5.1 Opțiunile meniului

Frecvențele modulului sondă		512 Hz 640 Hz 874 Hz 33 Hz
Frecvențele modulului de detectare a conductelor		50 Hz (pasiv) 60 Hz (pasiv) 512 Hz 8 kHz 33 kHz
Meniul de unelte		Picioare/metri Opțiunea de iluminare de fundal automată Contrast LCD

5.2 Sunetele Scout

Sunetul este legat de creșterea sau scăderea puterii semnalului. Acesta crește în înălțime și volum când semnalul crește, sau scade cu diminuarea semnalului. Pe măsură ce semnalul se întărește, înălțimea și volumul sunetului cresc pentru a ajuta la îndrumarea operatorului spre puterea maximă a semnalului. Dacă puterea semnalului scade, sunetul revine la un tremolo de bază de parcă n-ar mai fi semnal.

Scout are amplificare automată. Când amplificarea crește sau scade cu o treaptă, sunetul se resetează la intensitatea superioară sau inferioară. Reglați volumul sunetului prin apăsarea tastei de sunet.



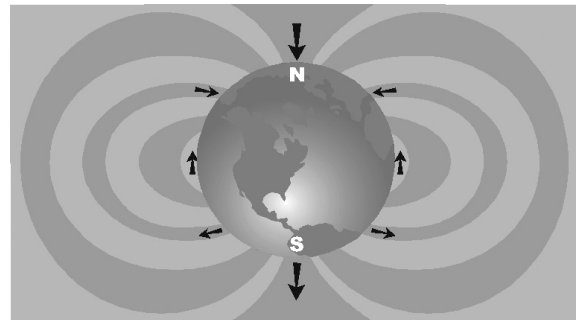
Volumul se va modifica la fiecare apăsare a tastei de sunet sau săgețile sus și jos pot fi folosite de asemenea pentru a regla volumul. Apăsați tasta de selectare pentru a ieși din acest ecran.



NOTĂ Apăsarea tastei de selectare în timpul funcționării normale va centra înălțimea sunetului la un nivel mediu.

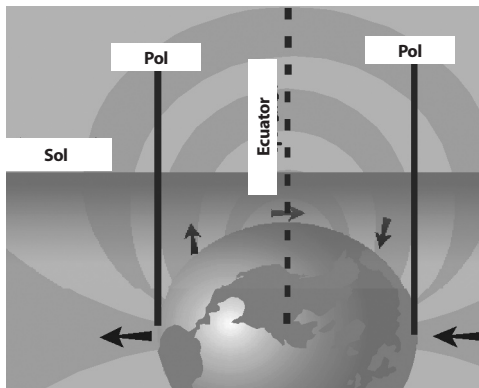
5.3 Prezentare generală - Înțelegerea sondelor și a detectorului Scout

Sondele (numite de asemenea emițătoare, balize, sau sesizoare active de conducte) emit un câmp electromagnetic foarte similar câmpului magnetic generat de Pământ.



De fapt, dacă Pământul ar fi răsturnat într-o parte, câmpul său magnetic ar semăna mult cu câmpul de la o sondă.

Ca detector, Scout poate măsura forma (unghiul) liniilor câmpului de la o sondă și poate identifica caracteristicile distincte ale acestor linii. Cele trei caracteristici importante sunt cei doi **POLI** și **ECUATORUL**. La poli unghiul semnalului este de 90 grade (vertical). La ecuator este 0 (orizontal). Polii sunt puncte distincte în spațiu, în timp ce ecuatorul se înfășoară complet în jurul sondei. Întrucât aceste caracteristici distincte sunt constante, ele pot fi utilizate pentru localizarea precisă a sondei.



Poli apar de obicei acolo unde detectoarele convenționale ar prezenta „nului”, petele albe care apar când semnalul trece vertical prin antenele lor. Diferența este că Scout poate „vedea” poli („nului”) și poate arăta unde sunt aceștia, **chiar dacă nu sunteți direct deasupra lor, și indiferent de cum sunt aliniate antenele Scout cu semnalul.**

Acesta este un motiv pentru care localizarea cu Scout este mult mai ușoară decât cu detectoarele convenționale.

Sonda este plasată la punctul unde ecuatorul trece direct între cei doi poli.


5.4 Localizarea sondei

Scout poate fi utilizat pentru a localiza semnalul unei sonde (emittor) într-o conductă, astfel încât locația sa să poată fi identificată deasupra solului. Sondele pot fi plasate la un punct problemă în conductă cu ajutorul unui videoreceptor, al unei tije de împingere, sau al unui cablu. Ele pot fi de asemenea antrenate de fluxul de lichid din conductă.

În continuare se presupune că sonda este într-o țevă orizontală, solul este aproximativ orizontal și Scout este ținut cu catargul antenei vertical.

IMPORTANT Puterea semnalului este factorul cheie în determinarea locației sondei. Pentru a asigura o localizare precisă, **TREBUIE** să aveți grijă să maximizați puterea semnalului înainte de a marca o zonă pentru excavare.

5.4.1 Când localizați o sondă instalați detectorul în următorul mod:

- **Înainte** de introducerea sondei în conductă, utilizați Scout pentru a vă asigura că acesta funcționează și că Scout recepționează semnalul său.
- După ce sonda este în poziție și emite, activați sonda și potriviți aceeași frecvență pe Scout ca și cea a sondei. Asigurați-vă că are o pictogramă de mod de sondă .

⚠️ AVERTIZARE

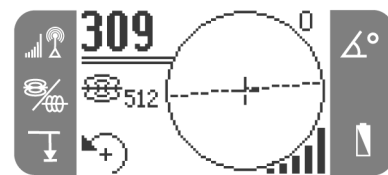
Asigurați-vă că frecvența selectată se potrivește cu utilizarea dorită. 512 și 33 sunt disponibile ca frecvențe de sonde și de detectare de conducte. Utilizarea unei frecvențe de sondă pentru detectarea de conducte sau invers poate cauza afișarea de către Scout a unor informații incorecte de adâncime.

- Mergeți la locul bănuț al sondei. Dacă direcția conductei este necunoscută, împingeți sonda pe o distanță scurtă în conductă (~ 5 m de la acces este un punct de pornire bun).

5.4.2 Apoi, utilizați una din următoarele metode pentru a localiza sonda:

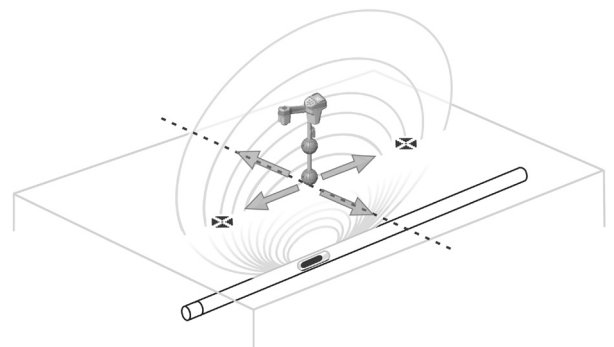
Metoda 1 – Maximizați puterea semnalului

1. Țineți Scout astfel încât catargul să fie în afară, departe de corp. Baleiați catargul antenei în direcția presupusă a sondei observând în același timp puterea semnalului și ascultând sunetul. Semnalul va fi cel mai înalt când catargul este îndreptat spre sondă.
2. Coborâți Scout în poziția sa normală de funcționare (catargul antenei vertical) și mergeți în direcția sondei. Pe măsură ce vă apropiați, puterea semnalului va crește nivelul sonor se va intensifica și va crește în înălțime. Utilizați puterea semnalului și sunetul pentru a **maximiza semnalul.**



3. După ce a fost găsit maximul, plasați Scout aproape de pământ deasupra maximului și mișcați-l în toate direcțiile pentru a vă asigura că semnalul scade.

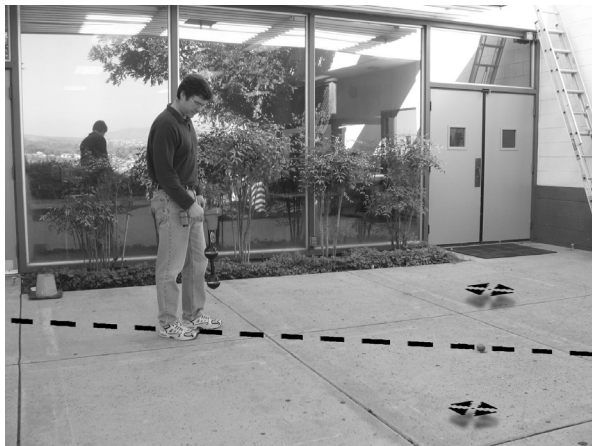
NOTA Contează cel mai înalt semnal, linia ecuatorului poate fi într-o altă poziție decât cel mai înalt semnal dacă sonda este înclinată (vezi secțiunea sondă înclinată).



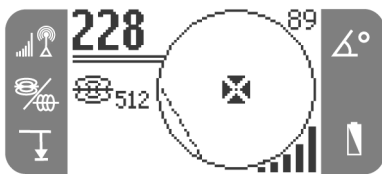
Metoda 2 – Urmați ecuatorul – Apoi maximizați

1. Funcționează cel mai bine în zonele neobstrucționate, deschise, **când sonda este de așteptat să fie orizontală.** Baleiați catargul și apoi mergeți în direcția puterii maxime a semnalului ca în metoda 1.
2. Când Scout afișează o linie de ecuator staționară, centrată pe ecran, urmați-o spre puterea în creștere a semnalului. Când este atinsă puterea maximă a semnalului deplasați Scout de-a lungul ecuatorului și în toate direcțiile pentru a fi sigur că este pe maxim.

Când sonda este înclinată aveți grijă să găsiți semnalul maxim deoarece acela este locul unde va fi sonda.


Verificarea localizării.

1. La punctul de putere maximă a semnalului, și cu catargul vertical, deplasați Scout perpendicular pe linia ecuatorului de pe ecran. Când apare pictograma pol, deplasați Scout până când pictograma pol este centrată pe firele reticulare **cu bila antenei inferioare** pe sol. Plasați unul dintre markerelor triunghiulare portocalii pe sol la acest loc.


Vedeți când Scout este pe pol.

2. Deplasați Scout înapoi peste linia ecuatorului până la celălalt pol. Centrați firele reticulare pe cea de-a doua pictogramă pol și marcați poziția ca înainte.
3. Deplasați înapoi la **puterea maximă a semnalului**. Marcați acest punct pe sol cu pastila marker hexagonală galbenă. Îndepărtați încet în toate direcțiile bila antenei inferioare de markerul galben, observând în același timp afișajul puterii semnalului. Puterea semnalului trebuie să fie cea mai ridicată direct deasupra sondei.
4. Uitați-vă pentru a vedea că toate cele trei markere sunt aliniate și că markerul hexagonal galben este aproximativ la jumătatea distanței dintre markerelor polilor.

Dacă markerul galben nu este la mijloc, vezi secțiunea privind sondele inclinate.

IMPORTANT Aflându-vă pe ecuator NU înseamnă că sunteți deasupra sondei! Rețineți că puterea semnalului este factorul cheie în localizarea sondei. Dvs. trebuie să fiți la punctul unde puterea semnalului este cea mai ridicată.

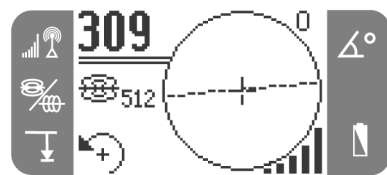
Pentru cea mai bună precizie utilizați nivela cu bulă de aer. Catargul antenei **TREBUIE** să fie vertical când se marchează polii și ecuatorul, în caz contrar locațiile lor vor fi incorecte!

5.5 Măsurarea adâncimii

Scout măsoară adâncimea comparând puterea semnalului la antena inferioară cu cea de la antena superioară.

Adâncimea este măsurată când antena de jos atinge solul direct deasupra sursei semnalului.

1. Pentru a măsura adâncimea, plasați detectorul pe sol, direct deasupra sondei sau conductei. Asigurați-vă că indicatorul de unghi arată 5 grade sau mai puțin. Apoi rotiți încet unitatea în direcția săgeții afișate în partea din **stânga jos** a ecranului până când apare adâncimea.



Nivela cu bulă de aer este utilă la măsurarea adâncimii pentru a se asigura verticalitatea catargului antenei.

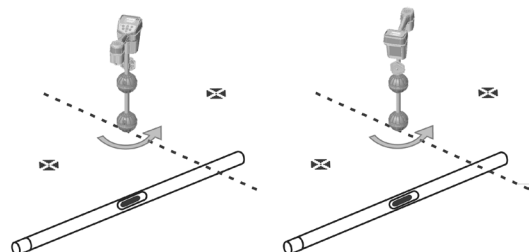
Pentru a maximiza semnalul și a realiza o citire mai precisă a adâncimii, Scout trebuie rotit pentru a alinia antena cu semnalul.

2. Adâncimea va fi prezentată în colțul din stânga jos.



3. **Funcția de forțare a adâncimii** - Dacă indicatorul unghiului arată mai mult de 5 grade atunci Scout nu va da o măsurătoare de adâncime. Țineți apăsată tasta săgeată. Acest lucru va forța adâncimea în cazul în care adâncimea poate fi măsurată (vezi secțiunea următoare privind sondele inclinate).

Când controlați adâncimea efectuați întotdeauna o măsurătoare, apoi rotiți Scout cu 180 de grade (1/2 de cerc) și efectuați o altă măsurătoare a adâncimii. Asigurați-vă că bila de jos rămâne în aceeași poziție pe sol și catargul este vertical. Dacă măsurătorile adâncimii diferă cu mai mult de cca. 10%, atunci există o distorsiune și citirea adâncimii trebuie pusă la îndoială.



5.6 Sugestii practice pentru localizarea unei sonde

- Utilizați sunetul când este posibil pentru a ajuta la orientarea Scout spre puterea maximă a semnalului.
- Dacă ecuatorul este traversat și semnalul nu este maximizat, urmați ecuatorul până la cea mai mare putere a semnalului. Simpla găsire a ecuatorului sondei (linia punctată de pe ecran) NU indică găsirea sondei. Trebuie găsit de asemenea punctul de putere maximă al semnalului. Dacă sonda este înclinată accentuat, ecuatorul NU se va afla direct deasupra sondei iar distanțele de la sondă la fiecare pol nu vor fi egale. Dacă sonda este înclinată, maximizați semnalul.
- Confirmați întotdeauna punctul de putere maximă a semnalului. Verificați ce arată harta, exceptând cazul când este cunoscut ca fapt că toate condițiile cerute au fost îndeplinite. Harta presupune următoarele condiții:
 1. Solul este orizontal.
 2. Sonda este orizontală.
 3. Scout Locator este deasupra nivelului solului.
 4. Scout Locator este ținut aproximativ vertical, catargul antenei fiind îndreptat drept în jos.

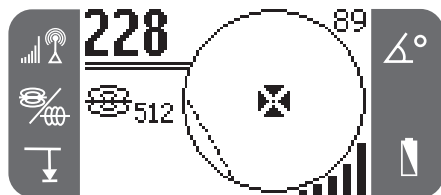
Dacă aceste condiții nu sunt îndeplinite, acordați o atenție specială maximizării puterii semnalului. În general, dacă condițiile de mai sus sunt adevărate și dacă Scout este la mai puțin de circa două „adâncimi” de sursa semnalului, harta va fi utilă și exactă. Rețineți acest lucru când utilizați harta dacă ținta sau sursa semnalului este la foarte mică adâncime. Zona de căutare utilă folosind doar harta poate fi mică dacă sonda este foarte puțin adâncă.

5.7 Sonde înclinate

Dacă sonda este înclinată, un pol se va apropia de sondă iar celălalt se va îndepărta astfel încât locația sondei nu mai este la mijlocul distanței dintre cei doi poli. Puterea semnalului polului mai apropiat devine mult mai mare decât cea a polului mai îndepărtat. În cazul extrem, când sonda ajunge pe verticală, unul dintre poli ajunge într-un punct direct deasupra sondei și acest pol va corespunde, de asemenea punctului de putere maximă a semnalului. Celălalt pol nu va fi văzut.

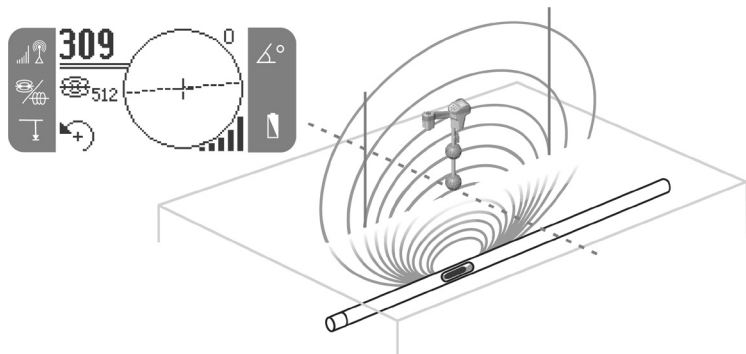
Prin urmare chiar dacă sonda este verticală, ceea ce se poate întâmpla în cazul în care cade într-o crăpătură în conducta sau rezervorul subteran, sonda poate fi totuși detectată.

Când sonda este verticală, ceea ce se vede pe ecran este un pol cu putere maximă a semnalului.

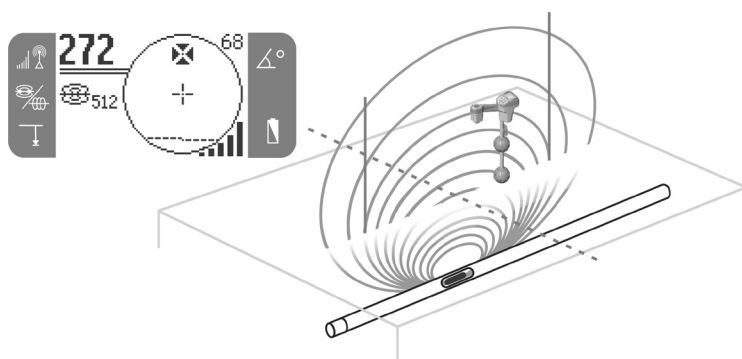


Antenele multidirecționale permit măsurarea adâncimii chiar dacă sonda este înclinată. În această situație trebuie utilizată funcția de forțare a adâncimii pentru efectuarea unei măsurători pentru adâncime (vezi Măsurarea adâncimii).

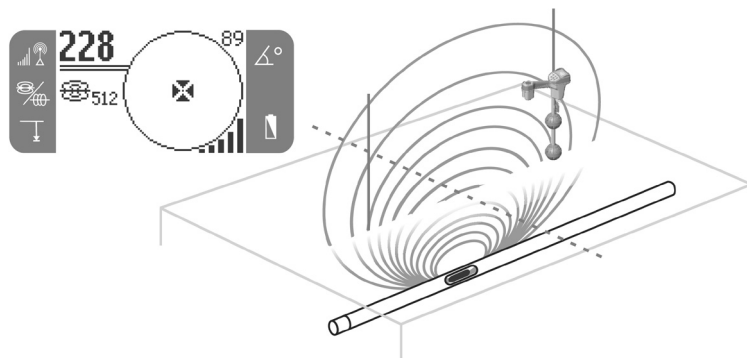
Microhartă - exemple – modul sondă



Scout pe ecuator



Scout pleacă de pe ecuator și se apropie de pol



Scout pe pol

6. Detectarea unei linii cu Scout

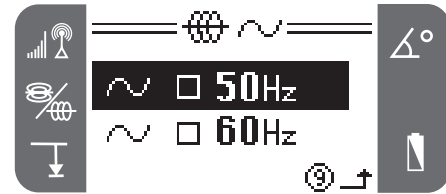
Scout poate fi utilizat de asemenea pentru a detecta o conductă sau o linie, astfel încât solul deasupra să poată fi marcat. Aceasta identifică amplasamentul liniei, astfel încât aceasta să poată fi evitată în timpul unei săpături sau să fie dezvelită pentru reparații sau înlocuire. Scout poate localiza linii activate cu o varietate de frecvențe sau poate fi utilizat pasiv pentru efectuarea unei baleieri pentru localizarea oricăror conductori lungi purtători de semnale.

Liniile subterane sunt activate cu un emițător de linie. Acest semnal activ este apoi urmărit cu ajutorul unui receptor precum Scout.

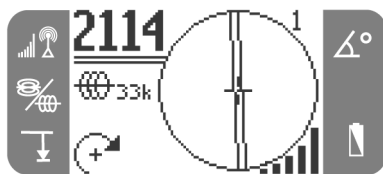
1. Atașați de linie emițătorul liniei în conformitate cu instrucțiunile producătorului.

„Emițător” este o denumire generică utilizată pentru orice generator de semnal localizabil. Este folosit pentru a descrie o sondă, precum și dispozitivul utilizat pentru a activa un cablu sau o conductă.

2. Potrivii frecvența utilizată pe emițător la aceeași frecvență cu cea de pe Scout. Aveți grijă să aibă o pictogramă de detectare de conducte ~. Apăsăți butonul principal de meniu pentru a reveni la ecranul de localizare.



- La începerea detectării se recomandă ca mai întâi să fie observată puterea semnalului pentru a vedea dacă scade când Scout este îndepărtat. Îndreptați catargul spre firele emițătorului dacă utilizați modul inductiv. Deasupra liniei trebuie să aveți un maxim și căderi pe ambele părți. Dacă puterea semnalului și liniile de pe ecran NU sunt în acord atunci semnalul poate fi distorsionat.
- La detectare, modul în care merge conducta sau cablul va fi prezentat pe ecran cu 2 linii continue. Menținerea liniilor în centru indică faptul că Scout detectează linia subterană. Dacă linia deviază spre stânga sau dreapta deplasați Scout pentru a readuce linia înapoi în centru. Semnalul emis de o conductă este cel mai puternic direct deasupra acelei conducte. Dacă nu este cazul, atunci există o distorsiune.



NOTĂ Când se utilizează o frecvență de detectare de conducte pe ecran există două linii. Când se utilizează o frecvență de sondă, ecuatorul este o singură linie.

ATENȚIE Trebuie avută grijă la sesizarea interferențelor de semnal care pot genera citiri inexacte. Citirile de adâncime trebuie considerate estimări iar adâncimile efective trebuie verificate prin dezvelirea liniei înainte de a săpa.

- La începerea detectării se recomandă ca mai întâi să fie observată puterea semnalului pentru a vedea dacă scade când Scout este îndepărtat. Îndreptați catargul spre firele emițătorului dacă utilizați modul inductiv. Deasupra liniei trebuie să aveți un maxim și căderi pe ambele părți. Dacă puterea semnalului și liniile de pe ecran NU sunt în acord atunci semnalul poate fi distorsionat.

6.1 Detectarea unei linii pasive CA

În modul pasiv, Scout sesizează curentul alternativ, sau câmpurile CA. Liniile electrice îngropate nu emit de obicei nici un semnal detectabil dacă în fire nu trece curent electric. De exemplu luminile stradale care sunt decuplate sunt greu de detectat pasiv.

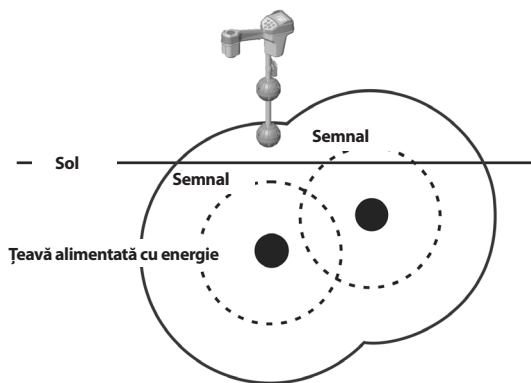
- Selecția o frecvență de detectare pasivă CA cu pictograma de detectare pasivă de linii ~.
- Scout are două (2) frecvențe de detectare pasivă CA care sunt standard. Acestea sunt: 50 Hz și 60 Hz.

6.2 Sugestii practice pentru detectarea liniilor

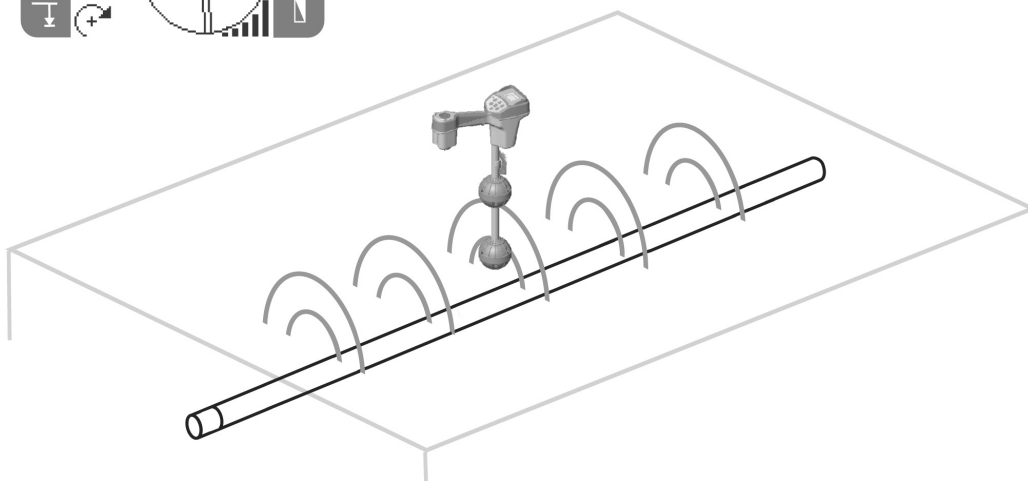
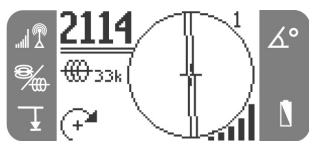
- Când liniile nu sunt centrate pe hartă, dar puterea semnalului este maximizată, există o distorsiune!**
 - Încercați să schimbați frecvența utilizată la una mai mică.
 - Îndepărtați țărșul de împământare de linia care se detectează.
 - Asigurați-vă că linia nu este legată în comun la o altă conductă de utilități.
- Dacă liniile nu se centrează sau dacă se mișcă inexplicabil pe ecran, atunci Scout poate că nu primește un semnal clar.
 - Controlați ca emițătorul să funcționeze și să fie bine împământat.
 - Testați circuitul îndreptând antena inferioară spre ambele fire ale emițătorului.
 - Controlați ca Scout și emițătorul să funcționeze la aceeași frecvență.
 - Încercați diferite frecvențe, începând cu cea mai joasă, până când linia poate fi recepționată în condiții demne de încredere.
- Curentul curge cel mai bine dinspre liniile cele mai mici spre liniile cele mai mari (cea mai mică rezistență). Un exemplu ar fi detectarea unei țevi din casă până în stradă.
- În timpul detectării, semnalul trebuie să se maximizeze iar adâncimea să se minimizeze în același loc unde liniile se centrează pe ecran. Dacă acest lucru nu se întâmplă, conducta de utilități poate se rotește sau sunt prezente poate alte semnale cuplate.
- Frecvențele mai mari debordează mai ușor, dar pot fi de dorit pentru a remedia întreruperile din cablurile de detectare sau pentru a trece de cuplajele izolante.
- Când utilizați emițătorul inductiv, aveți grijă să începeți localizarea la 10 / 15 m distanță pentru a evita „cuplajul direct”. Acesta este cazul în care Scout recepționează semnalul direct de la emițător și nu de la linia de detectat.

Dacă liniile nu se centrează sau dacă se mișcă inexplicabil pe ecran, atunci Scout poate că nu primește un semnal clar.

- Solul este orizontal.
 - Conducta este orizontală.
 - Scout Locator este deasupra nivelului solului.
 - Catargul antenei Scout este menținut aproximativ vertical.
- Dacă aceste condițiile nu sunt îndeplinite, acordați o atenție specială maximizării puterii semnalului. În general, dacă Scout este la mai puțin de circa două „adâncimi” de linie, harta va fi utilă și exactă. Rețineți acest lucru când utilizați microharta dacă ținta sau conducta este la foarte mică adâncime. Zona utilă de căutare în microhartă poate fi mică când conducta este extrem de puțin adâncă.



Microhartă - Exemplu – Detectare de conducte



7. Meniul de unelte

7.1 Schimbarea unităților de adâncime

Scout poate schimba unitățile cu care se măsoară adâncimea fie în picioare, fie în metri. Pentru a modifica aceste setări, pur și simplu evidențiați pictograma adâncimii în meniul de unelte și apoi apăsați tasta de selectare pentru a alterna între picioare și metri.



7.2 Iluminarea de fundal automată

Nivelurile scăzute de iluminare sunt sesizate de un detector de lumină integrat în colțul din stânga sus al tastaturii. Lumina de fundal poate fi pornită forțat prin blocarea accesului luminii la acest senzor cu degetul. Lumina automată de fundal LCD este setată din fabrică să se cupleze numai în condiții de întuneric avansat. Aceasta este pentru economisirea

puterii bateriei. Odată cu epuizarea bateriilor, lumina de fundal va apare stearsă. Aproape de sfârșitul duratei de viață a bateriei, lumina de fundal funcționează la un nivel foarte scăzut pentru a conserva energia bateriei. Pentru a stinge lumina de fundal, evidențiați pictograma bec în secțiunea de instrumente a meniului și apăsați tasta de selectare pentru a comuta între Auto și OFF (oprit).



7.2.1 Contrastul LCD

Când este evidențiat și selectat contrastul LCD poate fi reglat cu săgețile sus și jos.



8. Informații utile

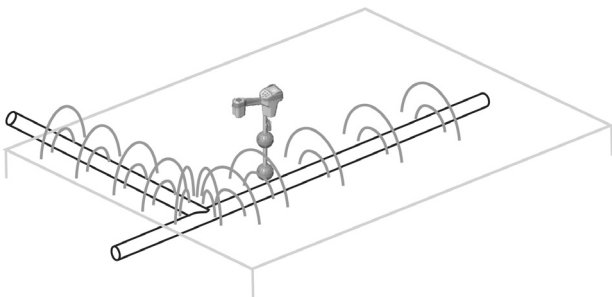
8.1 Interferențele de semnal

8.1.1 Câmpuri distorsionate

Uneori, un câmp simplu poate întâlni în sol metale sau alte materiale feroase care pot distorsiona liniile câmpului. Acestea pot fi o altă utilitate, deșeuri îngropate sau linii vechi neutilizate care pot șunta sau scurtcircuita liniile câmpului. În acest caz Scout poate afișa un semnal mai slab în jurul obiectului și un semnal puternic direct deasupra lui. Obiectul poate acționa ca o lentilă care amplifică sau slăbește imprevizibil semnalul.

8.1.2 Câmpuri combinate

Câmpurile combinate sunt de asemenea posibile. Când un câmp simplu întâlnește un alt câmp, cele două, sau mai multe pot crea un semnal puternic. Este important ca operatorii să înțeleagă acest lucru în jurul teurilor sau unghiurilor drepte în linie, unde adesea se întâlnesc câmpuri compuse.



Câmp compus prezentat în jurul unei conexiuni în linie.

8.1.3 Zgomotul

Semnalele care interferează (zgomot) fac parte pur și simplu din provocările localizării. Interferența poate fi la aceeași frecvență utilizată, sau poate fi „în afara benzii” la alte frecvențe. Unele dintre cele mai mari semnale de interferență sunt generate de echipamentele de transmisie de energie. Transformatoarele de putere, motoarele electrice sau generatoarele mari și liniile pot fi sursa unor semnale de zgomot foarte mari. Zonele care sunt deosebit de zgomotoase trebuie evitate pe cât posibil.

Dacă afișajul unghiului este instabil și nu staționar, și/sau dacă nivelurile semnalului nu sunt staționare, acest lucru este o bună indicație a lipsei semnalului de la țintă (sondă sau linie activată), sau a unui nivel înalt de zgomot de interferență.

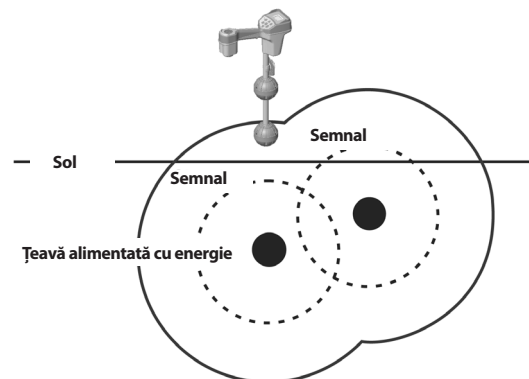
8.2 Note privind precizia

Măsurătorile de adâncime și putere a semnalului se bazează pe un semnal puternic recepționat de Scout. Rețineți că Scout este utilizat deasupra solului pentru a detecta câmpurile electromagnetice emise de linii subterane (conductori electrici precum cablurile metalice și conducte) sau sonde (balize emițătoare active). Când câmpurile sunt simple și nedeformate, câmpurile detectate sunt reprezentative pentru obiectul îngropat.

Dacă acele câmpuri sunt deformate și există câmpuri multiple care interacționează, acest lucru va cauza localizări imprecise de către Scout. Localizarea nu este o știință exactă. Ea cere operatorului să-și folosească judecata și să caute toate informațiile disponibile dincolo de citirile aparatului. Scout va oferi utilizatorului mai multe informații, dar operatorul este cel care interpretează corect acele informații. Nici un fabricant de detector nu pretinde că operatorul trebuie să urmeze exclusiv informațiile provenite de la aparatul său.

Condițiile în care precizia localizării trebuie pusă sub semnul întrebării:

- **Când sunt prezente alte linii sau conducte de utilități.** „Debordarea” poate genera câmpuri deformate și poate ilumina involuntar liniile. Utilizați frecvențe mai mici când este posibil și eliminați toate conexiunile dintre cele două linii.



- **Când se utilizează emițătorul inductiv.** Acest lucru furnizează linii un semnal slab. Utilizați o conexiune directă ori de câte ori este posibil.
- **Când liniile au teuri, curbe, sau ramificații.** Pot cauza distorsiuni în semnal.
- **Când puterea semnalului este redusă.** Pentru o localizare precisă este necesar un semnal puternic.
- **Când condițiile de sol variază.** Extremele în umiditate, foarte uscat sau saturat cu apă, pot afecta măsurătorile. De exemplu, solul saturat cu apă sărată, prezent în zonele de coastă, ecranează puternic semnalul și localizarea este foarte dificilă.

9. Transportul și păstrarea

Înainte de transport, asigurați-vă că unitatea este oprită pentru a conserva încărcătura bateriei.

În timpul transportului, asigurați-vă că unitatea este fixată, nu se mișcă necontrolat și nu este lovită de echipamente nefixate.

Scout trebuie păstrat într-un loc răcoros, uscat.

Dacă depozitați Scout pentru o perioadă lungă de timp, bateriile trebuie scoase.

10. Instalarea/utilizarea accesoriilor

Scout este livrat de asemenea cu markere care pot fi utilizate pentru a marca locațiile polilor sau sondei la suprafața solului. Există două (2) markere roșii pentru marcarea polilor și un (1) marker galben pentru marcarea sondei.

Dacă este nevoie de asistență suplimentară, contactați distribuitorul sau un reprezentant RIDGID.

11. Întreținerea și curățarea

⚠️ AVERTIZARE

1. **Mențineți curat Scout cu o cârpă umedă și un detergent ușor. Nu-l imersați în apă.**
2. **Când curățați, nu folosiți unelte de răzuit sau produse abrazive, acestea putând deteriora permanent ecranul. NU UTILIZAȚI NICIODATĂ SOLVENȚI pentru a curăța orice piesă al sistemului. Substanțele cum ar fi acetona și alte chimicale dure pot provoca fisurarea carcasei.**

14. Îndrumar pentru depanare

PROBLEMA	LOCUL PROBABIL AL DEFECTIUNII
Scout se închide în timpul utilizării.	Opriti, apoi porniți din nou unitatea. Scoateți bateriile dacă unitatea nu se oprește.
În timpul detectării, pe tot ecranul „sar” linii în microhartă.	Acest lucru indică faptul că Scout nu recepționează semnalul sau există interferențe.
	Asigurați-vă că emițătorul este bine conectat și împământat. Îndreptați Scout spre fiecare fir pentru a fi siguri că aveți un circuit complet.
	Încercați o frecvență superioară.
În timpul detectării unei sonde, pe tot ecranul „sar” linii.	Încercați să determinați sursa oricărui zgomot și eliminați-o.
	Verificați dacă bateriile din sondă funcționează.
	Verificați semnalul prin plasarea antenei inferioare aproape de sondă. Notă – Sondele întâmpină dificultăți în emiterea de semnale prin conductele din fontă și fontă ductilă.
Distanțele dintre sondă și cei doi poli nu sunt egale.	Sonda poate fi înclinată sau poate exista o tranziție fontă la plastic.
Unitatea se comportă dezordonat, nu se oprește.	Bateriile pot fi descărcate. Înlocuiți cu baterii proaspete și porniți-o.
Afișajul apare complet întunecat sau complet luminat la pornire.	Încercați să opriți și să porniți din nou unitatea.
	Potrivți contrastul ecranului LCD.
Nu există sunet.	Potrivți nivelul sunetului în meniul de sunet.
Scout nu recepționează semnalul.	Controlați dacă sunt setate corect modul și frecvența.
Scout nu pornește.	Controlați orientarea bateriilor. Controlați dacă bateriile sunt încărcate. Controlați să vedeți dacă contactele bateriei sunt în regulă. Unitatea poate avea o siguranță arsă (necesită service în fabrică).

12. Localizarea componentelor defecte

Pentru sugestii de depanare, consultați Îndrumarul pentru depanare de la sfârșitul manualului. Dacă este necesar, contactați Ridge Tool sau distribuitorul pentru informații suplimentare și asistență.

13. Service și reparare

⚠️ AVERTIZARE

Instrumentul trebuie dus la un centru de service independent autorizat RIDGID.

15. Specificații

Greutate cu baterii.....	1,4 kg
Greutate fără baterii.....	1 kg
Dimensiuni	
Lungime.....	28,5 cm
Lățime.....	11,0 cm
Înălțime.....	56,0 cm
Sursă de alimentare	
Baterii 4 C, alcaline de 1,5 V (ANSI/NEDA 14 A, IEC LR14) sau baterii reîncărcabile NiMH sau NiCad de 1,2 V	
Clasa de putere: 6 V, 550 mA	
Mediu de operare	
Temperatura.....	20°C până la 50°C.
Umiditate	5% la 95% RH
Temperatură de depozitare.....	-20°C până la 60°C.
Frecvențe standard	
Sondă.....	512 Hz, 640 Hz, 874 Hz, 33 kHz
Detectare activă de conducte	512 Hz, 8 kHz, 33 kHz
Detectare pasivă de conducte	60 Hz, 50 Hz

Setări implicite

Setările implicite pentru detector sunt:
 Unități de adâncime = metru și centimetru
 Volumul = 1 (o setare peste silențios)
 Lumină de fundal = auto

Echipamentul standard









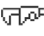


- Scout Locator
- Markere și suport de catarg
- 2 manuale de exploatare: SUA + Europa
- Baterii 4 C (alcaline)
- Video PAL

Echipamente opționale








- Markere suplimentare de pol/sondă
- Emițător NaviTrack
- Brățară inductivă
- Baterie sondă
- Flotor

16. Legenda pictogramelor

PICTOGRAMELE AFIȘAJULUI

-  Frecvența sondei
-  Frecvența de detectare activă
-  Frecvență de detectare pasivă (CA)
-  Nivel de zgomot
-  Nivelul bateriei
-  Adâncime
-  Indicatorul unghiului orizontal
-  Puterea semnalului
-  Meniul de unelte
-  Contrast LCD
-  Lumina de fundal LCD

PICTOGRAMELE TASTATURII

-  Navigare meniu
-  Resetarea nivelului sonor/Selectarea elementului de meniu
-  Navigare meniu / Forțarea adâncimii (apăsare 3 s.)
-  Tasta pornit/oprit
-  Tasta Meniu
-  Tasta modului sondă/detectare/frecvență
-  Tasta de control al volumului

CZ

NaviTrack Scout Návod k obsluze

Překlad původního návodu k používání



VŠEOBECNÉ INFORMACE O BEZPEČNOSTI

VAROVÁNÍ! Přečtěte si všechny pokyny a ujistěte se, že jim rozumíte. Nedodržení všech níže uvedených pokynů může mít za následek úraz elektrickým proudem, vznik požáru nebo závažnou újmu na zdraví.

**PŘEČTĚTE SI PŘILOŽENÉ BEZPEČNOSTNÍ POKYNY.
TYTO POKYNY SI ULOŽTE!**

Prohlášení o shodě ES (890-011-320.10) bude v případě potřeby součástí této příručky jako zvláštní brožura.

Opatření týkající se baterií

- **Používejte pouze baterii určeného rozměru a typu. Nepoužívejte zároveň články různých typů (nepoužívejte například alkalické s dobíjecími).** Nepoužívejte společně částečně vybité a nabitě články (nepoužívejte například společně staré s novými).
- **Baterii nabíjejte pouze nabíjecí jednotkou specifikovanou výrobcem.** Používání nesprávné nabíječky může způsobit přehřátí a prasknutí baterie.
- Baterie zlikvidujte odpovídajícím způsobem. Při vystavení příliš vysokým teplotám může baterie explodovat, proto ji nevhazujte do ohně. V některých zemích platí předpisy týkající se likvidace baterií. Dodržujte všechny platné předpisy.

1. Používání a péče o zařízení Scout

- **Používejte zařízení pouze určeným způsobem.** Zařízení Scout neprovozujte bez řádného proškolení a přečtení návodu k použití.
- **Antény nesmíte ponořit do vody.** Skladujte na suchém místě. Tímto opatřením se snižuje nebezpečí úrazu elektrickým proudem a poškození nástroje.
- **Kontrolujte poškození součástí a další stavy, které mohou ovlivnit funkci zařízení Scout.** Pokud dojde k poškození nástroje, nechte ho opravit, než ho znovu použijete. Mnoho nehod je způsobeno nástroji, které nebyly řádně udržovány.
- **Používejte pouze příslušenství doporučené pro zařízení Scout výrobcem.** Příslušenství, které může být vhodné pro jeden přístroj se může stát při použití s jiným nebezpečným.
- **Držadla udržujte suchá, čistá a zbavená oleje a mastnoty. Bude tak zajištěno lepší ovládání přístroje.**
- **Chraňte zařízení před přílišným teplem.** Výrobek musí být umístěn v dostatečné vzdálenosti od zdrojů tepla, např. radiátorů, výměníků tepla, sporáků či jiných výrobků (včetně zesilovačů), které vyzařují teplo.

1.1 Servis

- **Servis diagnostického přístroje smí provádět pouze kvalifikovaní opraváři.** Servis či údržba prováděné nekvalifikovaným opravářem mohou mít za následek úraz.
- **Zajistěte vhodné čištění.** Před čištěním vyjměte baterii. Nepoužívejte tekuté čisticí prostředky nebo spreje. K čištění použijte vlhký hadřík.
- **Provádějte bezpečnostní kontroly.** Po dokončení jakéhokoli servisu nebo opravy tohoto výrobku požádejte servisního technika, aby provedl bezpečnostní kontroly a zkontroloval, že výrobek je v provozuschopném stavu.
- **Poškození výrobku, které vyžaduje opravu.** Pokud nastane libovolná z následujících situací, vyjměte baterie a světe nástroj k opravě kvalifikovanému servisnímu pracovníkovi:
 - Pokud se na výrobek vylila kapalina nebo na něj něco spadlo.
 - Pokud výrobek při dodržení pokynů v návodu k použití nefunguje normálně.
 - Pokud výrobek spadl z výšky nebo byl jakkoliv poškozen.
 - Pokud výrobek vykazuje výraznou změnu výkonu.

V jakékoli korespondenci uvádějte všechny informace z typového štítku vašeho zařízení, včetně čísla modelu a výrobního čísla.

1.2 Důležité upozornění

Zařízení Scout je diagnostický přístroj, který vnímá elektromagnetická pole vyzařovaná předměty pod zemí. Jeho účelem je pomáhat uživateli tyto předměty nalézt tím, že rozezná charakteristiky siločar a zobrazí je na obrazovce. Protože elektromagnetické siločary mohou být zkreslené a vzájemně se ruší, je důležité si před zahájením výkopu polohu předmětů pod zemí ověřit.

Několik instalací se může pod zemí nacházet na stejném místě.

Zajistěte dodržování místních pokynů či směrnic.

Odhalení vedení je jediným způsobem, jak ověřit jeho existenci, umístění a hloubku.

Společnost Ridge Tool Co., její přidružené společnosti ani dodavatelé nebudou odpovídat za zranění ani žádné přímé, nepřímé, vedlejší či následné škody vzniklé z důvodu používání zařízení Scout. Několik instalací se může pod zemí nacházet na stejném místě. Zajistěte dodržování místních pokynů či směrnic.

2. Seznámení se zařízením Scout

Lokátor sond a vedení ScoutTM používá vícesměrné antény a pokročilé zpracovávání dat k rychlému, přesnému a snadnému zaměření sond a trasování podzemních inženýrských sítí.

2.1 Jaké jsou jeho jedinečné vlastnosti?

Pokročilé technologie poskytují zařízení Scout několik jedinečných vlastností oproti běžným lokátorům:

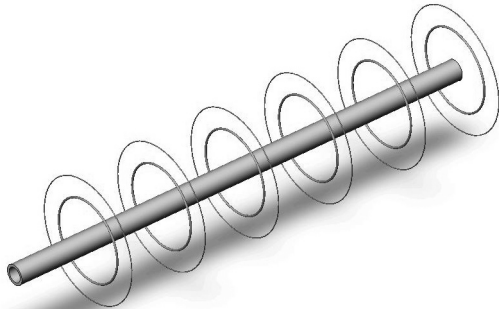
- Systém vícesměrných antén.
- Náhled pomocí mikromapy.
- Indikace specifických vlastností signálu.

2.2 Co toto zařízení dokáže?

Zařízení Scout se používá nadzemní snímaní a sledování elektromagnetických polí vysílaných z podzemí nebo skrytými vedeními (elektrickými vodiči, jako jsou kovové kabely a potrubí) či sondami (aktivně vysílajícími majáky). Když jsou pole jednoduchá a nezkreslená, potom je informace ze snímaného pole charakteristická pro podzemní objekt. Zařízení Scout lokalizuje vodivé objekty vysílající pole; nesnímá podzemní objekty přímo.

Elektrická pole vysílaná podzemními objekty mohou být dvojího typu: první typ je vysílán dlouhými vodiči jako např. buzenými kabely, tlačnými kabely inspekční kamery nebo potrubími.

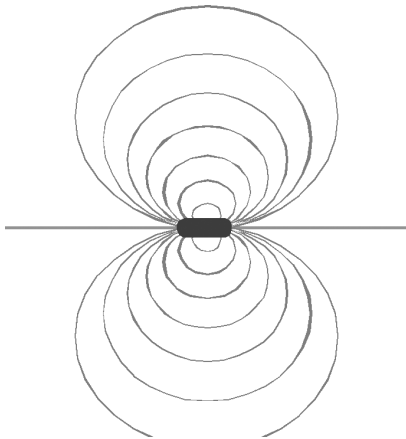
Tyto objekty vysílají dlouhé cylindrické pole, což je často označováno za trasování „vedení“.



Pole vysílané vedením pod proudem.

(Pasivní trasování napájení je zvláštní případ, kde je vedení „buzeno elektrickým proudem“.)

Druhý typ pole představuje sondy (které jsou také nazývány vysílači, majáky či aktivními potrubními sondami), které vysílají pole odlišného tvaru a zařízení Scout je naprogramováno k měření a zobrazování tohoto typu pole. Komplexnější tvar pole se u sondy nazývá dipólové pole, které je stejné jako pole generované tyčovým magnetem či naší planetou.

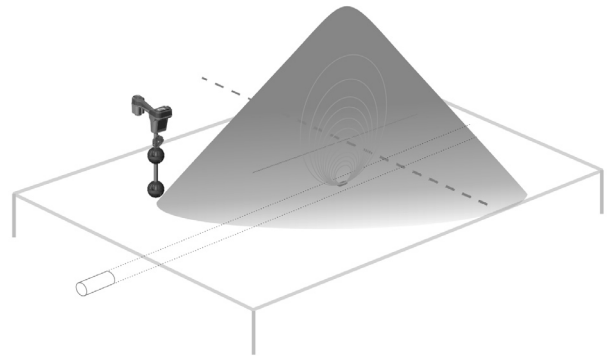


Dipólové pole vysílané sondou.

Elektromagnetická pole mají tři (3) důležité vlastnosti: frekvenci, sílu a úhel (směr). Na rozdíl od běžných lokátorů, které dokážou měřit pouze sílu signálu ve směru jednotlivých antén, zařízení Scout měří jak sílu signálu tak úhel pole ve třech rozměrech najednou (3D). Tato vylepšená schopnost umožňuje využití mapovacího displeje.

Zkušený operátor dokáže tyto dodatečné informace využít k urychlení zaměřování a k lepšímu řešení komplexních situací. Na druhou stranu může občasný nebo nový uživatel snadno lokalizovat objekty jen pomocí samotné síly signálu.

Pravidlo zaměřování č. 1 u zařízení Scout je získat co největší hodnoty! –
Maximalizace síly signálu představuje klíčový způsob zaměřování objektů.



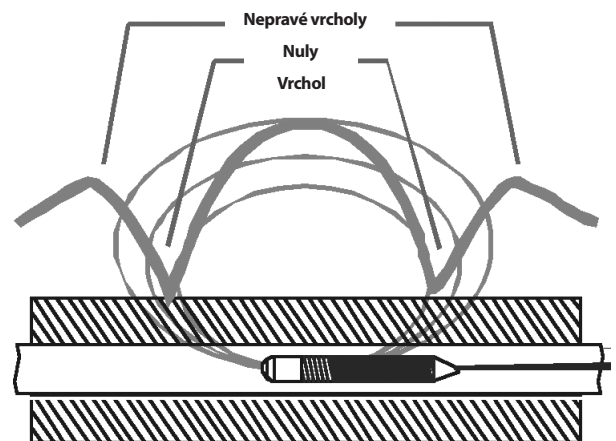
Příklad, jak zařízení Scout vrací maximální hodnoty přímo nad sondou.

K maximální síle signálu dochází přímo nad cílovým objektem jak při trasování vedení tak při zaměřování sondy. Když jste nad cílovým objektem, zobrazí se jeho hloubka.

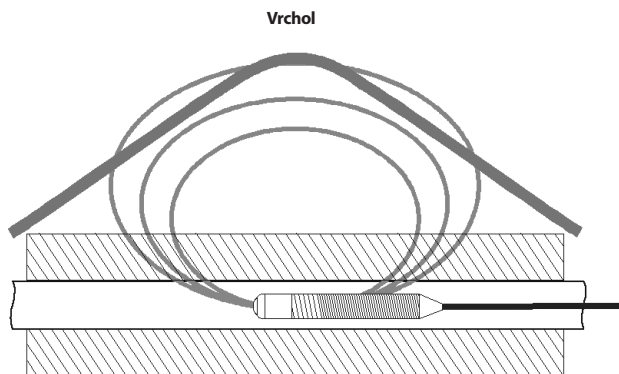
2.3 Co znamená u zařízení Scout víceměrná výhoda?

Zobrazování celého signálu pomocí víceměrných antén nabízí zásadní výhody:

1. Signál vždy sílí, když se uživatel přibližuje k cílovému objektu.
2. Eliminuje výskyt nulových či „nepravých nebo násobných“ signálů. Signál běžného lokátoru má vrchol, nulu a menší vrchol. To může operátora zmást, obzvláště, pokud menší vrchol vyhodnotí jako cílový objekt (také známo jako tzv. „nepravé či násobné“ vrcholy). Zařízení Scout zachycuje jediný vrchol signálu, který uživatel přivede k cílovému objektu.



Signál sondy, jak jej „vidí“ běžný lokátor. Hlavní vrchol je ve středu a dva nepravé vrcholy jsou vně dvou nul.



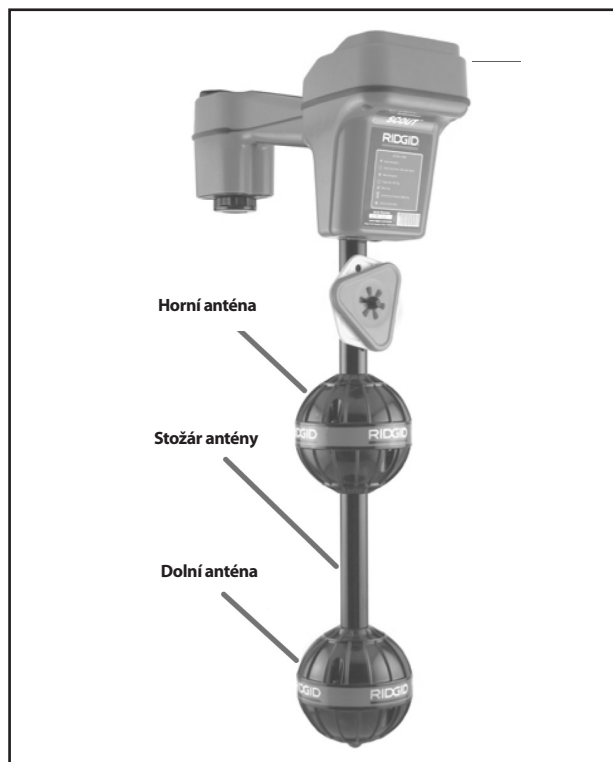
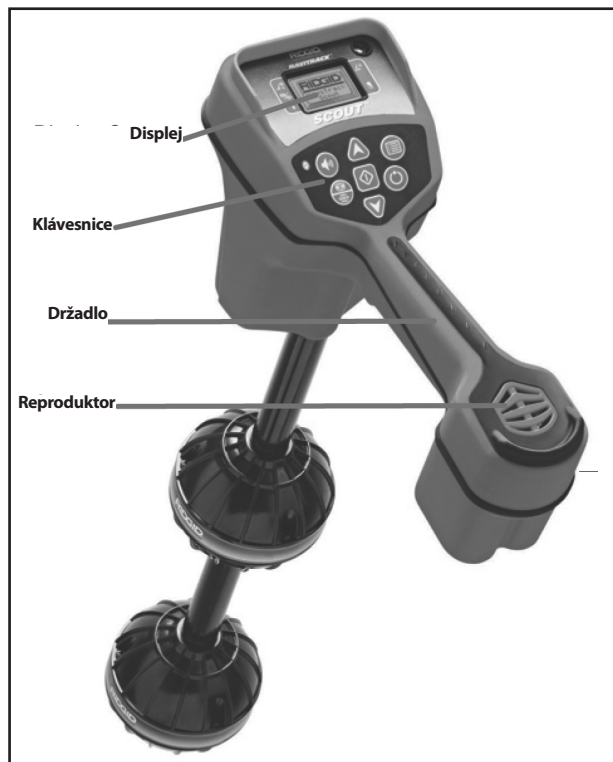
Signál sondy, jak jej „vidí“ zařízení Scout. Pouze jeden vrchol, žádné nuly.

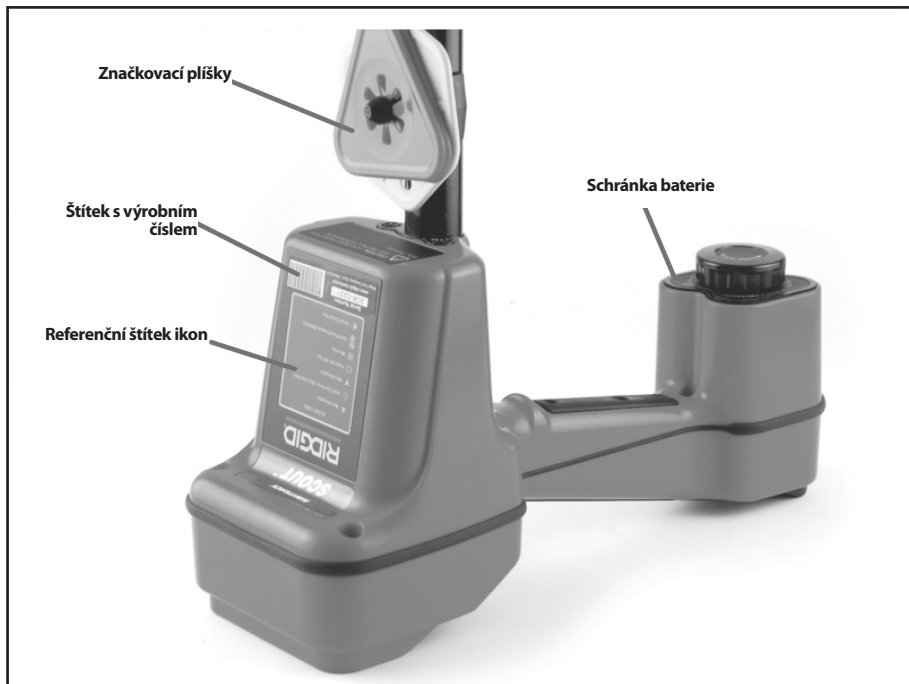
3. Jak jednotku držíte, sílu signálu neovlivňuje. Uživatel se může blížit z kterékoliv strany a nepotřebuje znát orientaci či směr potrubí nebo vodiče.
4. Dodatečné nástroje k identifikaci a řešení „obtížného“ zaměření zahrnují grafickou mikromapu a ukazatel úhlu, které pomáhají s vyhodnocováním charakteristik signálu.

2.4 Jakou výhodu představuje mikromapa?

Tato mapa poskytuje grafické zobrazení charakteristik signálu. Jedná se o pohled z ptáčích perspektivy na podzemní signál zobrazený graficky na obrazovce. Je používán jako průvodce pro trasování podzemních vedení a lze jej používat pro lepší přesné zaměření sond. Může být rovněž použit pro poskytování většího množství informací u složitých nalezených míst. Pohybem lokátoru nad zemí dochází k zachycování signálu vysílaného podzemním objektem zařízením Scout. Díky tomu uživatel vidí vizualizaci daného signálu na displeji a může jej označit. Běžné lokátory nedokáží mapovat podzemní signál, jelikož jejich antény nedokáží zachytit jeho kompletní tvar.

3. Součásti zařízení Scout

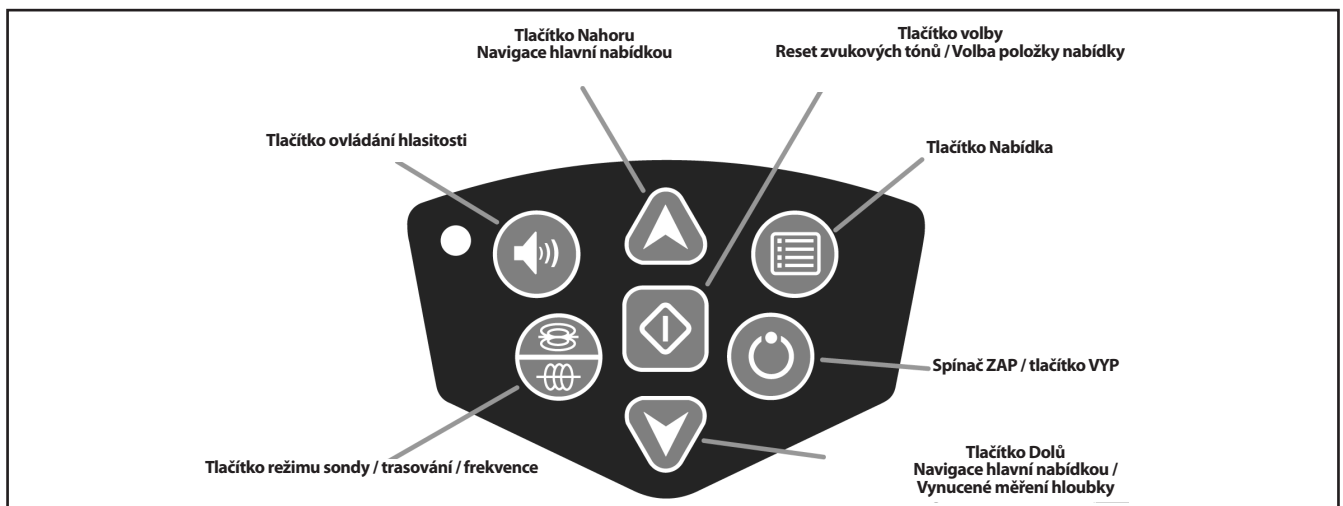




Displej



Klávesnice



Tlačítko ovládání hlasitosti – otevře a zavře nabídku hlasitosti.

Tlačítko režimu Sondy/Trasování/Frekvence – přepíná aktivní frekvence a funkce.

Tlačítko nahoru – prochází volbami nabídky směrem nahoru.

Tlačítko volby – zvolí zvýrazněnou volbu v otevřené nabídce.

Tlačítko dolů – prochází volbami nabídky směrem dolů.

Tlačítko nabídky – otevře či zavře danou nabídku.

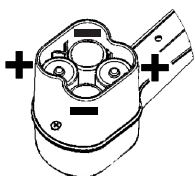
Tlačítko napájení ZAP/VYP – vypne či zapne zařízení Scout.

4. Úvod

4.1 Montáž/výměna baterií

Pro montáž baterií do zařízení Scout jednotku otočte, abyste měli přístup ke schránce baterií. Otočte knoflíkem na víku baterií ve směru chodu hodinových ručiček. Pro odebrání dvířek zatáhněte knoflík rovně nahoru. Baterie vložte podle vyobrazení na nálepce uvnitř a zkontrolujte, že zapadly tak, aby měly správný kontakt.

Dvířka ustavte na schránku a otočte knoflíkem po směru hodinových ručiček a přitom lehce tlačte dolů, aby se uzamkla. Kryt baterií může být ustaven v obou polohách.



Když je zařízení Scout zapnuté, trvá kontrola baterií několik sekund. Teprve potom nabití baterií vykáže, že je "prázdná".

⚠ VAROVÁNÍ


Do schránky baterií se nesmí dostat úlomky. Úlomky ve schránce baterií mohou způsobit zkrat kontaktů baterií, což může zapříčinit únik elektrolytu nebo vznik nebezpečí požáru.

4.2 Doby provozu

Typická doba provozu lokátoru Scout za použití alkalických článků je v rozmezí 12 až 24 hodin v závislosti na faktorech jako je úroveň hlasitosti a, jak často je použité podsvícení displeje. Mezi ostatní faktory, které dobu práce ovlivňují patří chemické složení baterie (řada nových baterií s dlouhou životností, jako „Duracell® ULTRA“ vydrží při užívání s vysokými nároky o 10 - 20 % déle než běžné alkalické články). Práce při nízkých teplotách omezují rovněž životnost baterie.

Pro udržení životnosti baterie se zařízení Scout automaticky vypne, když po 1 hodině nebylo stisknuto žádné tlačítko. Pro pokračování používání jednotku normálně zapněte.

4.3 Zapnutí a vypnutí zařízení

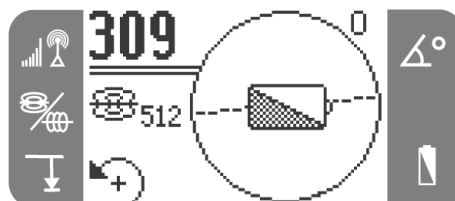
Zařízení zapnete stisknutím tlačítka napájení  na klávesnici. Na displeji se zobrazí logo RIDGID® a ve spodním pravém rohu se zobrazí číslo verze software.



Zařízení vypnete stisknutím a uvolněním tlačítka napájení  na klávesnici. Berte na vědomí, že po vypnutí zařízení následuje několikasekundová prodleva.

4.4 Upozornění na vybitou baterii

Když se nabití baterie sníží, na obrazovce se v mapě oblasti zobrazí ikona baterie. To udává, že baterie je třeba nabít a že se jednotka brzy vypne.



Před úplným vypnutím dojde k nepřerušitelnému sledu snižování výkonu.

Napětí dobijecích baterií může někdy poklesnout tak rychle, že se jednotka vypne okamžitě. Jednotka se vypne a restartuje. Vyměňte pouze baterie a jednotku znovu zapněte.

5. Nastavení

Když je zařízení Scout zapnuté a běží, je dalším krokem nastavení shodných frekvencí potřebných k zaměření požadovaného objektu. Každá frekvence je pro použití vybrána ze seznamu v nabídce.

1. Stiskněte tlačítko nabídky, zvýrazněte volbu a poté aktivujte stisknutím tlačítka volby:



2. Pomocí šipek nahoru a dolů zvýrazněte frekvenci, která se shoduje s frekvencí sondy nebo potrubního vysílače, a poté pomocí tlačítka volby zaškrtněte políčko. Viz volby hlavní nabídky. Pro návrat na hlavní obrazovku stiskněte tlačítko nabídky.





VAROVÁNÍ

Ujistěte se, že zvolená frekvence odpovídá požadovanému použití. Frekvence 512 a 33 jsou dostupné pro sondy A trasování vedení. Použití frekvence sondy pro trasování vedení a obráceně může způsobit, že zařízení Scout bude zobrazovat nesprávné údaje o hloubce.

3. Stisknutím tlačítka režimu sondy/trasování/frekvence procházíte aktivovanými frekvencemi a režimy. Věnujte pozornost ikonám n obrazovce, které zobrazují režim, ve kterém zařízení Scout právě pracuje.



4. Pokud je zapotřebí upravit hloubku, automatické podsvícení či kontrast displeje, zvýrazněte nastavení v nabídce nástrojů a pomocí tlačítka volby změny provedte.



5.1 Volby hlavní nabídky

Frekvence režimu sondy		512 Hz 640 Hz 874 Hz 33 Hz
Frekvence režimu trasování vedení		50 Hz (pasivní) 60 Hz (pasivní) 512 Hz 8 kHz 33 kHz
Nabídka Nástroje		Stopy/Metry Automatické podsvícení Kontrast LCD

5.2 Zvuky zařízení Scout

Tyto zvuky se týkají zvyšování či snižování síly signálu. Výška a hlasitost se zvyšuje se silícím signálem a snižuje se signálem slábnoucím. Jak signál silí, zvyšuje se i výška a hlasitost tónů, aby pomohly operátora navést k maximální síle signálu. Pokud síla signálu opadne, tóny se vrátí na základní tremolo, jako v případě absence signálu.

Zařízení Scout je vybaveno automatickým řízením příjmu. Jak se přijímaný signál zesiluje či zeslabuje, tóny se nastaví na vyšší či nižší výšku.

Hlasitost tónů nastavíte stisknutím tlačítka zvuku.



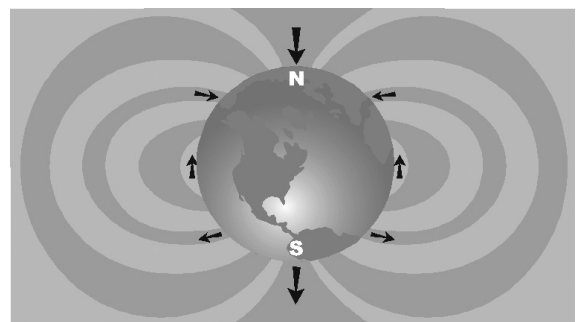
Hlasitost se bude měnit s každým stisknutím tlačítka zvuku nebo také pomocí tlačítka nahoru a dolů. Tuto obrazovku opustíte stisknutím tlačítka volby.



POZNAMKA Stisknutím tlačítka volby během normálního provozu nastavíte výšku tónů na střední úroveň.

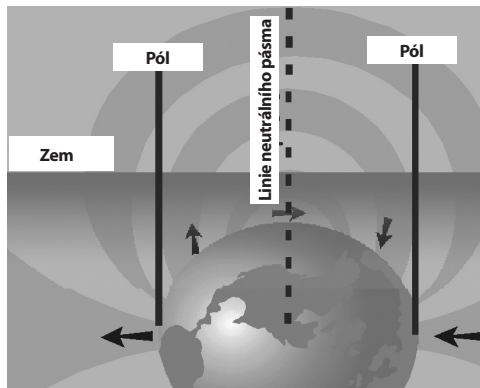
5.3 Přehled - Princip fungování sond a zařízení Scout

Sondy (které jsou také nazývány vysílači, majáky či aktivními potrubními sondami) vysílají pole podobné magnetickému poli planety Země.



Ve skutečnosti, pokud bychom planetu Zemi položili na bok, její magnetické pole by bylo velmi podobné poli sondy.

Zařízení Scout, jakožto lokátor, dokáže měřit tvar (úhel) siločar pole sondy a identifikovat jejich specifické vlastnosti. Tři důležité charakteristiky jsou dva **PÓLY** a **NEUTRÁLNÍ PÁSMO**. U pólů je úhel signálu 90 stupňů (vertikální). V neutrálním pásmu je to 0 (horizontální). Póly představuje specifické body v prostoru, zatímco neutrální pásmo zcela obepíná celou sondu. Jelikož jsou tyto specifické vlastnosti konstantní, lze je využít k přesnému zaměření sondy.



Póly se obvykle nachází v místech, kde by běžné lokátory hlásily „nuly“, mrtvá místa, ke kterým dochází, když signál prochází jejich anténami vertikálně. Rozdíl u zařízení Scout je ten, že póly „vidí“ a ukáže vám, kde se nachází, **i když nejste přímo nad nimi a bez ohledu na vyrovnaní jeho antén se signálem.**

Toto je jeden důvod, proč je zaměřování pomocí zařízení Scout daleko jednodušší než pomocí běžných lokátorů.

Sonda se nachází přesně v bodě, kde neutrální pásmo prochází přímo mezi dvěma póly.


5.4 Zaměření sondy

Zařízení Scout lze používat k zaměření signálu sondy (vysílače) v potrubí, takže její polohu lze zjistit nad zemí. Sondy lze umístit v problematickém místě pomocí kamery, tlačné tyče nebo kabelu. Lze je rovněž do trubky spláchnout.

V následujícím se předpokládá, že sonda je ve vodorovném potrubí, povrch je přibližně rovný a zařízení Scout je drženo tak, aby stožár antény byl svisle.

DŮLEŽITÉ Síla signálu je klíčový faktor při určování polohy sondy. Abyste zajistili přesné zaměření, je nutné sílu signálu maximalizovali dřív, než označíte místo výkopu.

5.4.1 Při zaměřování sondy nastavte lokátor následujícím způsobem:

- **Před** vložení sondy do vedení se ujistěte, že zařízení Scout funguje a že přijímá signál sondy.
- Jakmile je sonda na svém místě a vysílá, aktivujte ji a srovnajte její frekvenci na zařízení Scout. Ujistěte se, že se na zařízení zobrazuje ikona sondy .

VAROVÁNÍ

Ujistěte se, že zvolená frekvence odpovídá požadovanému použití. Frekvence 512 a 33 jsou dostupné pro sondy A trasování vedení. Použití frekvence sondy pro trasování vedení a obráceně může způsobit, že zařízení Scout bude zobrazovat nesprávné údaje o hloubce.

- Přejděte na místo předpokládané polohy sondy. Když směr potrubí není znám, zastrčte sondu trochu do potrubí (~5 m od vstupu je dobrý začáteční bod).

5.4.2 Dále použijte jeden z následujících způsobů zaměření sondy:

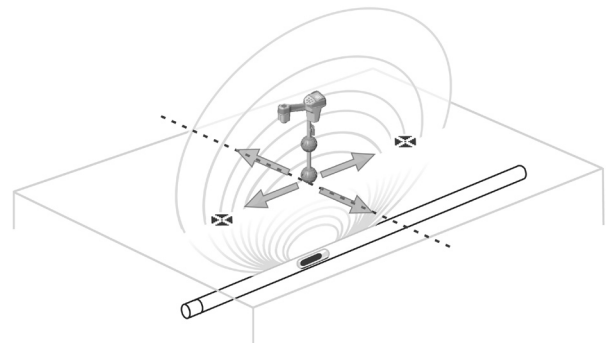
Způsob 1 – Maximalizace síly signálu

1. Zařízení Scout držte od svého těla tak, aby stožár směřoval ven. Vychyľte stožár antény do předpokládaného směru sondy a přitom sledujte sílu signálu a poslouchejte zvuk. Signál bude nejvyšší, když stožár ukazuje k sondě.
2. Spustte zařízení Scout do normální pracovní polohy (stožár antény svisle) a běžte směrem k sondě. Jak se přibližujete k sondě, síla signálu se začne zvyšovat stejně jako akustický tón. Použijte sílu signálu a výšku tónů k **maximalizaci signálu.**



3. Jakmile jste dosáhli maximálního signálu, položte zařízení Scout blízko k zemi nad maximem a pohybuje jím ve všech směrech, abyste se ujistili, že signál opadáva.

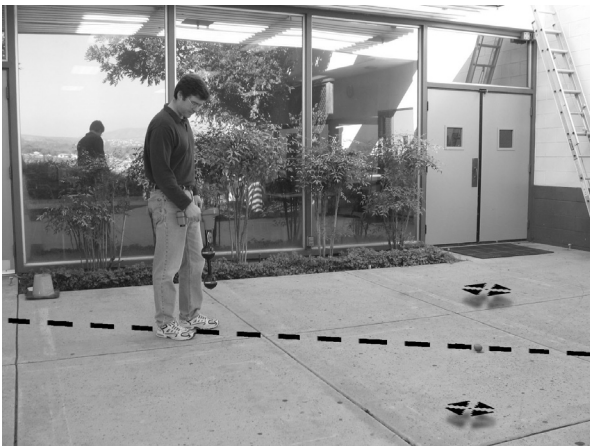
POZNÁMKA Počítá se nejsilnější signál, linie neutrálního pásma se může nacházet jinde než v místě nejsilnějšího signálu, pokud je sonda nakloněna (viz část vychýlená sonda).



Způsob 2 – následujte neutrální pásmo – poté maximalizujte sílu signálu

1. Toto funguje nejlépe na volných, otevřených místech, **kde lze očekávat vodorovnou polohu sondy.** Pohybuje stožárem antény a běžte směrem k maximálnímu signálu sondy jako ve způsobu 1.
2. Když zařízení Scout zobrazí stabilní linii neutrálního pásma vystředěnou na obrazovce, následujte ji směrem k silicím signálu. Když dosáhnete maximální síly signálu, pohybuje zařízením Scout podél neutrálního pásma **ve všech směrech**, abyste se ujistili, že se nacházíte v místě vrcholu síly signálu.

V případě vychýlené sondy se ujistěte, že jste zaměřili maximální signál, neboť v jeho místě se bude sonda nacházet.



Ověřte místo polohy.

1. V místě maximální síly signálu a se stožářem antény svisle pohybujte zařízením Scout kolmo k linii neutrálního pásma zobrazené na obrazovce. Když se zobrazí ikona pólu, pohybujte zařízením Scout, dokud se ikona pólu nenachází v nitkovém kříži, **zatímco kulička spodní antény spočívá na zemi**. V tomto místě na zem položte oranžový značkovací trojúhelník.



Pohled na zařízení Scout na pólu

2. Pohybujte zařízením Scout podél linie neutrálního pásma k druhému pólu. Vystředte nitkový kříž na druhou ikonu pólu a označte dané místo jako před tím.
3. Přesuňte se zpět k místu s **maximální silou signálu**. Toto místo označte pomocí žlutého značkovacího šestiúhelníku. Pohybujte kuličkou spodní antény směrem od žluté značky všemi směry, zatímco na displeji sledujete sílu signálu. Síla signálu by měla být nejvyšší přímo nad sondou.
4. Podívejte se, zda jsou všechny tři značky vyrovnané a zda je žlutý značkovací šestiúhelník přibližně v polovině vzdálenosti mezi oběma značkami pólů.

Pokud se žlutá značka nenachází uprostřed, viz část týkající se vychýlených sond.

DŮLEŽITÉ Být nad linií neutrálního pásma neznamená být nad sondou. Pamatujte, že síla signálu je klíčový faktor při určování polohy sondy. Musíte se nacházet v místě nejsilnějšího signálu. Nejvyšší přesnosti dosáhnete pomocí vodováhy. Stožár antény musí být svisle, když označujete póly a linii neutrálního pásma nebo bude jejich poloha méně přesná.

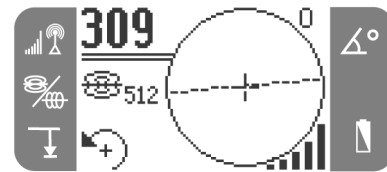
5.5 Měření hloubky

Zařízení Scout vypočítává měřenou hloubku porovnáním síly signálu u dolní antény s horní anténou.

Hloubka je naměřena, když se dolní anténa dotýká země přesně nad zdrojem signálu.

1. Pro měření hloubky položte lokátor na zem, přímo nad sondu nebo vedení. Ujistěte se, že indikátor úhlu ukazuje 5 stupňů nebo méně. Poté

pomalou otáčejte jednotkou ve směru šipky zobrazené v **levém dolním** rohu obrazovky, dokud se nezobrazí hloubka.



Vodováha se hodí, když měříte hloubku a potřebujete se ujistit, že je stožár antény ve svislé poloze.

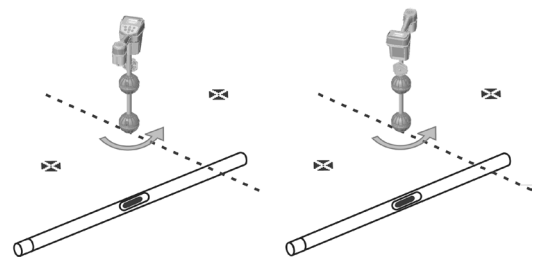
Abyste maximalizovali signál a získali přesnější měření hloubky, je zapotřebí zařízením Scout otáčet za účelem vyrovnání antény se signálem.

2. Naměřená hloubka se zobrazí v levém dolním rohu.



3. **Funkce vynuceného měření hloubky** - Pokud ukazatel úhlu hlásí hodnotu vyšší než 5 stupňů, zařízením Scout neprovede měření hloubky. Stiskněte tlačítko dolů a podržte jej. Vynutíte tak měření hloubky, pokud ji lze změřit (viz následující část ohledně vychýlených sond).

Při kontrole hloubky vždy proveďte měření, poté otočte zařízením Scout o 180 stupňů (půl otáčky) a proveďte další měření. Ujistěte se, že spodní kulička zůstane na stejném místě na zemi a stožár antény je svisle. Pokud se měření od sebe liší o více než 10%, došlo ke zkruslení a naměřená hloubka je diskutabilní.



5.6 Provozní tipy ohledně zaměřování sondy

- Když je to možné, použijte k navigaci zařízením Scout k maximální síle signálu zvukovou signalizaci.
- Pokud překročíte linii neutrálního pásma a signál není maximální, následujte tuto linii až do místa s nejsilnějším signálem. Jednoduché zaměření linie neutrálního pásma sondy (šrafovaná čára na obrazovce) NEZNAČÍ zaměření sondy. Je také nutné nalézt bod maximální síly signálu. Pokud je sonda přikře vychýlena, linie neutrálního pásma se NEBUDE nacházet přímo nad sondou a vzdálenost od sondy k oběma pólům nebude stejná. Pokud je sonda vychýlena, maximalizujte sílu signálu.
- Vždy se musíte nacházet v místě nejsilnějšího signálu. Ověřte si, co zobrazuje mapa, pokud nevíte jistě, že jsou splněny požadované podmínky. Mapa předpokládá následující podmínky:

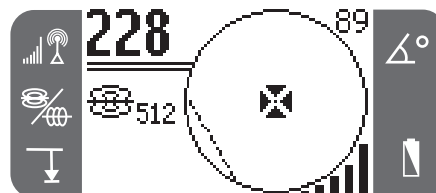
1. Země je rovná.
2. Sonda se nachází v rovné poloze.
3. Lokátor Scout se nachází nad zemí.
4. Lokátor Scout je držen přibližně svisle se stožářem antény směřujícím rovně dolů.

Když nejsou tyto podmínky dodrženy, věnujte nejvyšší pozornost maximalizaci síly signálu. Všeobecně, když jsou splněny výše uvedené podmínky a když zařízení Scout používáte v prostoru okolo dvou „hloubek“ vedení, mapa bude užitečná a přesná. Toto mějte na paměti při používání mapy, když je cílový objekt nebo zdroj signálu velmi mělko. Užitečný prostor pro hledání pomocí mapy může být malý, když je sonda příliš mělko.

5.7 Vychýlené sondy

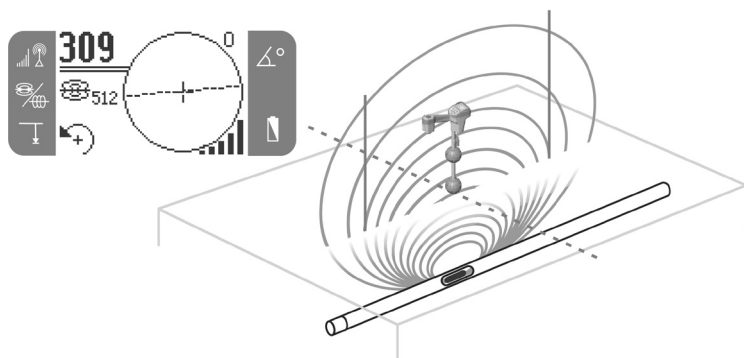
Když je sonda vychýlena, jeden pól se přemístí blíž k sondě a druhý je dál, takže poloha sondy již není uprostřed mezi oběma póly. Síla signálu v místě bližšího pólu je větší než v místě vzdálenějšího pólu. V extrémním případě, když je

sonda vychýlena do svislé polohy, se jeden pól přesune přímo nad sondu a bude také odpovídat bodu maximální síly signálu. Druhý pól nebude vidět. Proto lze sondu zaměřit, i když je vychýlena do svislé polohy, protože mohla zapadnout do praskliny ve vedení nebo podzemní nádrže. Když je sonda ve vertikální poloze, na obrazovce lze určit pól s maximální silou signálu.

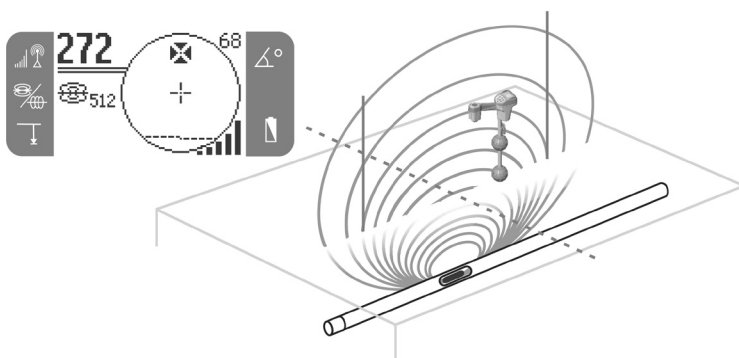


Víceměrné antény umožňují měření hloubky, i když je sonda vychýlena. V takovém případě je nutné měření hloubky vynutit (viz část o měření hloubky).

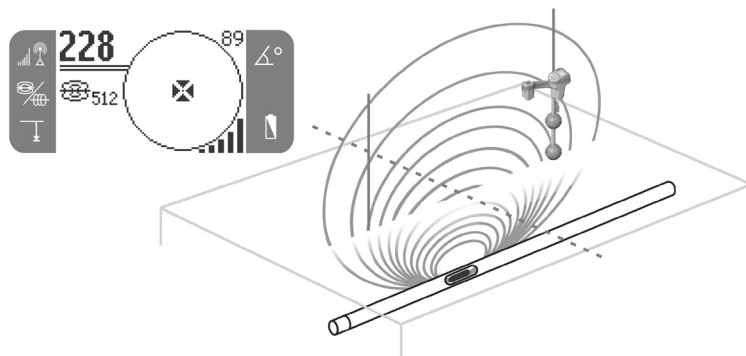
Mikromapa - Příklady - Režim sondy



Zařízení Scout nad linií neutrálního pásma



Zařízení Scout opouští linii neutrálního pásma a přibližuje se k pólu



Zařízení Scout na pólu

6. Trasování vedení pomocí zařízení Scout

Zařízení Scout lze také použít k trasování potrubí nebo vedení za účelem vnějšího, nadzemního značení. Toto značení určuje umístění vedení, kterému se pak lze při výkopech či odkrývání z důvodu opravy či výměny vyhnout. Zařízení Scout dokáže zaměřit buzené vedení pomocí různých frekvencí nebo jej lze použít pasivně k zaměření jakýchkoliv dlouhých vodičů nesoucích signál. Podzemní vedení jsou buzena pomocí potrubního vysílače. Tento aktivní signál je pak trasován pomocí přijímače jak je např. zařízení Scout.

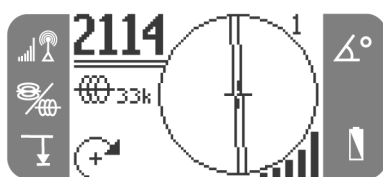
1. Připojte potrubní vysílače k potrubí podle pokynů výrobce.

„Vysílač“ je obecný název pro jakékoliv zařízení, které generuje zaměřitelný signál. Používá se k popisu sondy stejně jako zařízení, které budí kabely či potrubí.

2. Srovnejte frekvenci vysílače s frekvencí na zařízení Scout. Zkontrolujte, na zařízení je ikona trasování vedení ~. Pro návrat na obrazovku zaměřování stiskněte tlačítko hlavní nabídky.



3. Když začínáte trasovat vedení, doporučujeme nejprve sledovat sílu signálu a zjistit, zda při odtažení zařízení Scout klesá. Když používáte indukční režim, namířte stožár na vedení nebo samotný vysílač. Signál by měl vrcholit nad vedením a klesat po obou stranách. Pokud síla signálu a vedení na obrazovce NESOUHLASÍ, potom je signál zkreslený.
4. Při trasování, se na obrazovce zobrazuje směr potrubí či kabelu jako 2 plné čáry. Drží-li se tyto čáry na středu displeje, znamená to, že zařízení Scout trasuje vedení pod zemí. Když se čáry posunou doleva či doprava, pohněte zařízením Scout tak, aby byly zpět na středu. Signál vysílaný vedením je nejsilnější přímo nad tímto vedením. Pokud tomu tak není, dochází ke zkreslení signálu.



POZNÁMKA Když používáte frekvenci trasovaného vedení, na obrazovce se také zobrazují dvě čáry. Když používáte frekvenci sondy, je linie neutrálního pásma značena jedinou čarou.

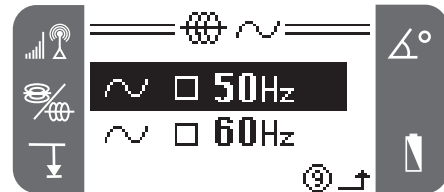
UPOZORNĚNÍ Je třeba dávat pozor na vzájemné rušení signálů, které může způsobit nepřesné snímání údajů. Odečty naměřené hloubky musí být přijaty jako odhady a skutečnou hloubku je třeba ověřit odkrytím vedení před zahájením výkopu.

5. Když začínáte trasovat vedení, doporučujeme nejprve sledovat sílu signálu a zjistit, zda při odtažení zařízení Scout klesá. Když používáte indukční režim, namířte stožár na vedení nebo samotný vysílač. Signál by měl vrcholit nad vedením a klesat po obou stranách. Pokud síla signálu a vedení na obrazovce NESOUHLASÍ, potom je signál zkreslený.

6.1 Pasivní trasování vedení pod proudem

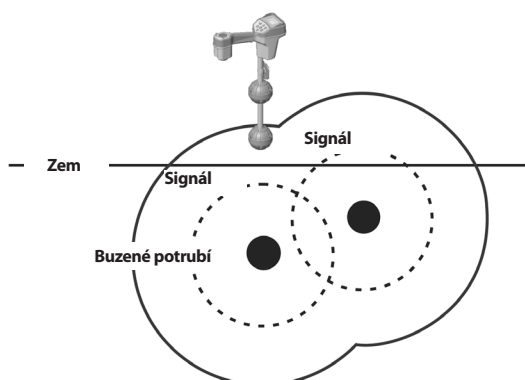
V pasivním režimu zařízení Scout zjišťuje střídavý proud nebo střídavá elektrická pole. Podzemní napájecí vedení obvykle nevydávají žádný trasovatelný signál, pokud nimi neprotéká proud. Např. vedení vypnutého pouličního osvětlení se těžko pasivně trasuje.

1. Zvolte frekvenci pasivního trasování vedení s ikonou pasivního trasování vedení ~.
2. Zařízení Scout používá standardně dvě (2) frekvence k pasivnímu trasování vedení. Jsou to frekvence 50 Hz a 60 Hz.

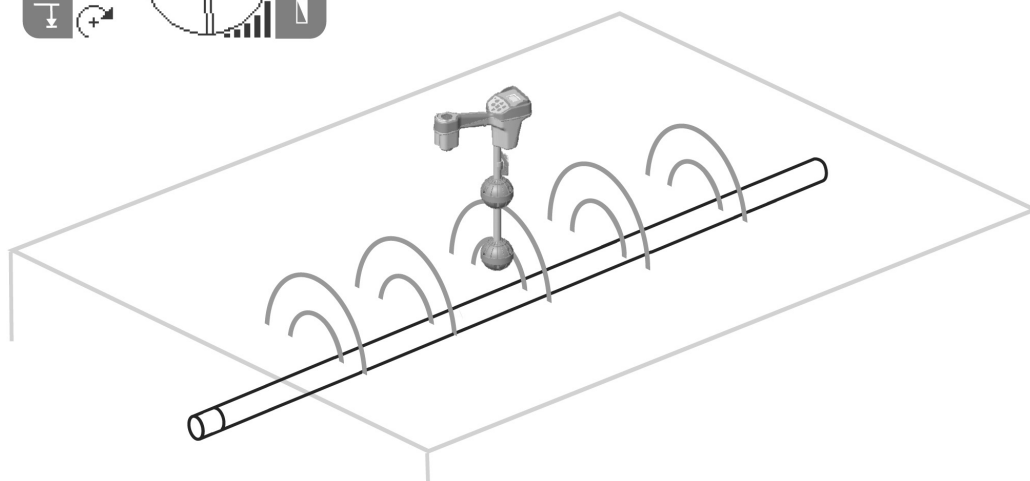
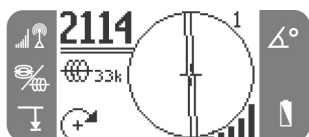


6.2 Provozní tipy ohledně trasování vedení

- Když nejsou čáry na mapě vystředěny, ale síla signálu je maximální, je signál zkreslen!
 - a. Zkuste změnit použitou frekvenci na nižší.
 - b. Přemístěte zemnicí kolík dále od trasovaného vedení.
 - c. Zkontrolujte, zda vedení není obvyklým způsobem spojené s jiným zařízením.
 - Když nejsou čáry vystředěné nebo když se na obrazovce pohybují chaoticky, zařízení Scout nemusí mít čistý signál.
 - a. Zkontrolujte vysílač a ujistěte se, že je funkční a dobře uzemněný.
 - b. Zkontrolujte okruh nasměrováním dolní antény na všechna vedení vysílače.
 - c. Zkontrolujte, zda zařízení Scout a vysílač pracují na stejné frekvenci.
 - d. Zkuste různé frekvence, až do chvíle, kdy vedení bude spolehlivě zachyceno.
 - Proud protéká nejlépe z nejmenšího vedení do největšího vedení (s nejnižším odporem). Příkladem by bylo trasování potrubí z domu na ulici.
 - Při trasování by se měl maximalizovat signál a minimalizovat hloubka na stejném místě, kde jsou čáry vystředěny na displeji. Pokud tomu tak není, vedení může měnit směr nebo se mohly připojit jiné signály.
 - Vyšší frekvence unikají do sousedních vedení snadněji, ale mohou být potřebné pro překonání přerušení ve vedení indikátorů nebo přechod dielektrických vazebních členů.
 - Když používáte vysílač indukčně, ujistěte se, že trasování začnete ve vzdálenosti 10 / 15 m, aby se zabránilo „vzdušnému zachycení signálů“. K tomu dojde, když zařízení Scout zachytí signál vysílače přímo ze vzduchu a ne z vedení, které má hledat.
- Když se vyhledávací čáry nevystředí nebo když se na obrazovce pohybují chaoticky, zařízení Scout pak nemusí mít čistý signál.
- a. Země je rovná.
 - b. Vedení je rovné.
 - c. Lokátor Scout se nachází nad zemí.
 - d. Stožár antény zařízení Scout je držen přibližně svisle.
- Když nejsou tyto podmínky dodrženy, věnujte nejvyšší pozornost maximalizaci síly signálu. Všeobecně, když zařízení Scout používáte v prostoru okolo dvou „hloubek“ vedení, mapa bude užitečná a přesná. Toto mějte na paměti při používání mapy, když je cíl nebo vedení velmi mělké. Užitečný prostor pro hledání pomocí mikromapy může být malý, když je vedení příliš mělké.



Mikromapa - Příklad - Trasování vedení



7. Nabídka Nástroje

7.1 Změna jednotek hloubky

Zařízení Scout může změnit jednotky, ve kterých měří hloubku, a to v metrech nebo ve stopách. Pro změnu těchto nastavení jednoduše zvýrazněte v nabídce nástrojů ikonu hloubky a stiskem tlačítka volby přepnete mezi stopami nebo metry.



7.2 Automatické podsvícení

Úroveň nízkého osvětlení je detekována světelným čidlem zabudovaným do horního levého rohu klávesnice. Podsvícení lze vynuceně zapnout zastíněním světla do tohoto čidla.

Automatické podsvícení LCD je seřízené v závodě, aby svítilo pouze v poměrně tmavém prostředí. Je to pro úsporu energie baterie. Když je baterie skoro vybitá, podsvícení je mdlé. Téměř na konci výdrže baterie, podsvícení pracuje při velmi malé intenzitě, aby šetřilo výkon baterie. Podsvícení vypnete zvýrazněním ikony žárovky v nabídce nástrojů a stisknutím tlačítka volby, kterým přepínáte mezi automatickým a vypnutým podsvícením displeje.



7.2.1 Kontrast displeje

Když zvýrazníte a zvolíte tuto položku, lze pomocí tlačítek nahoru a dolů upravit kontrast displeje.



8. Užitečné informace

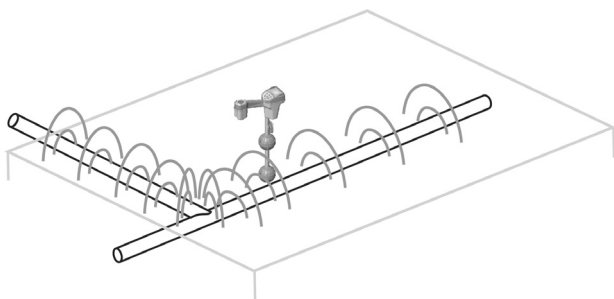
8.1 Rušení signálu

8.1.1 Zkreslená pole

V některých případech může jednotlivé pole v zemi narazit na kovový či jiný železitý materiál, který může zkreslovat siločáry pole. Může se jednat o jiné inženýrské vedení, zakopaný šrot či staré, nepoužívané vedení, které může odklonit nebo zkrátit siločáry pole. V takovém případě může zařízení Scout zobrazovat slabší signál kolem objektu a silnější signál přímo nad ním. Tento objekt může fungovat jako čochka, která nepředvídatelně zesiluje či zeslabuje signál.

8.1.2 Složená pole

Složená pole jsou také možná. Když se signál pole setká s jiným, tyto dva nebo více signálů může vytvořit jeden silnější signál. Je důležité, aby obsluha tomuto principu rozuměla, když se nachází v blízkosti „T-odboček“ nebo pravých úhlů na vedení, kde často dochází ke skládání polí.



Složené pole zobrazené kolem spoje na vedení.

8.1.3 Rušení

Rušivé signály (šum) jsou součástí problematiky zaměřování signálů. K rušení může docházet na stejné frekvenci, kterou používáte, nebo „mimo pásmo“ na jiných frekvencích. Některé z nejvíce rušivých signálů jsou generovány zařízením na přenos energie. Silové transformátory, velké elektrické motory nebo generátory a vedení mohou být zdrojem velmi silných rušivých signálů. Pokud je to možné, oblastem s obzvláště silným rušením se vyhybejte. Pokud je úhlový displej nestabilní či nestálý, nebo pokud nejsou úrovně signálů stálé, jedná se o dobré znamení toho, že buď není přítomen cílový signál (sondy či buzeného vedení) nebo je v dané oblasti příliš mnoho rušení.

8.2 Poznámky o přesnosti

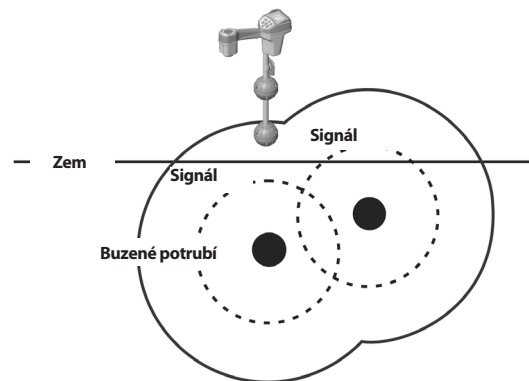
Měření hloubky nebo síly signálu závisí na tom, zda zařízení Scout přijímá silný signál. Pamatujte, že se zařízení Scout používá nad zemí ke snímání a sledování elektromagnetických polí vysílaných z podzemí nebo skrytými vedeními (elektrickými vodiči, jako jsou kovové kabely a potrubí) či sondami

(aktivně vysílajícími majáky). Když jsou pole jednoduchá a nezkruslená, potom je informace ze snímaného pole charakteristická pro podzemní objekt.

Když jsou tato pole zkreslená a je vzájemně se ovlivňujících polí hodně, způsobí to, že zařízení Scout bude vyhledávat nepřesně. Vyhledávání není exaktní věda. Od obsluhy se vyžaduje používání úsudku a vyhledávání všech dostupných informací, bez ohledu na to, jaké jsou přístrojem naměřené údaje. Zařízení Scout podá uživateli více informací, ale je na obsluze, aby si tyto informace vysvětlila správně. Žádný výrobce vyhledávačů netvrdí, že obsluhovateli by se měl řídit výhradně informacemi jejich přístroje.

V případě přesnosti zaměřování je nutné brát v potaz následující podmínky:

- **Přítomnost jiných kabelů a zařízení.** „Únik“ může způsobit zkreslení polí, a bezděčně tak vyznačit kabely nebo potrubí. Když je to možné, použijte nižší frekvence a eliminujte všechna spojení mezi dvěma vedeními.



- **Používání vysílače indukčním způsobem.** Tento způsob předá vedení slabý signál. Kdykoliv je to možné, používejte přímé spojení.
- **Když jsou ve vedení odbočky tvaru T nebo praskliny.** Tyto mohou způsobit zkreslení signálu.
- **Když je síla signálu malá.** Pro přesné vyhledávání je nutný silný signál.
- **Když se mění půdní podmínky.** Měření mohou ovlivnit extrémy ve vlhkosti: buď velké sucho nebo přílišné nasátí vodou. Například půda nasátá slanou vodou, na kterou lze narazit na pobřežích, bude silně stínit signál a může být velmi obtížná pro zaměřování.

9. Přeprava a skladování

Před přepravou si zkontrolujte, že jednotka je vypnutá, aby se šetřilo nabití baterie.

Při přepravě se přesvědčte, že jednotka je zajištěná a nebude poskakovat nebo do ní neudeří volné zařízení.

Zařízení Scout musí být uskladněno na chladném a suchém místě.

Při skladování zařízení Scout na dlouhou dobu, by měly být baterie vyjmuty.

10. Instalace/používání příslušenství

Zařízení Scout je rovněž dodáváno se značkami, které lze používat nad zemí pro označení pólů nebo poloh sondy. Jsou to dvě (2) červené značky na označení pólů a jeden (1) žlutý značkovač na označení sondy.

V případě potřeby další pomoci se obraťte na vašeho prodejce nebo zástupce společnosti RIDGID.

11. Údržba a čištění

⚠ VAROVÁNÍ

1. Zařízení Scout čistěte vlhkým hadříkem a jemným čisticím prostředkem. Neponořujte zařízení do vody.
2. Při čištění nepoužívejte škrabky nebo brusné materiály, protože mohou trvale poškrábat displej. **NIKDY NEPOUŽÍVEJTE ROZPOUŠTĚDLA** na čištění jakékoliv části systému. Látky jako aceton a další agresivní chemikálie mohou způsobit prasknutí pouzdra.

12. Zjišťování vadných součástí

Rady při řešení potíží jsou uvedeny v průvodci pro řešení potíží konci této příručky. V případě potřeby vám více informací a pomoci poskytne váš prodejce nebo společnost Ridge Tool.

14. Průvodce odstraňováním potíží

PROBLÉM	PRAVDĚPODOBNÁ PŘÍČINA ZÁVADY
Zařízení Scout se při používání zablokuje.	Zkuste zařízení vypnout a znovu zapnout. Když se zařízení nevypíná, vyjměte baterie.
Při vyhledávání „skáčou“ čáry v mikromapě po celé obrazovce.	To je znamení, že zařízení Scout nemůže zachytit signál, nebo že dochází k rušení.
	Zkontrolujte, že vysílač je dobře připojený a uzemněný. Zaměřte zařízení Scout na každý vodič pro ujištění, že okruh je uzavřený.
	Vyzkoušejte vyšší frekvenci.
	Pokuste se určit zdroje jakéhokoliv rušení a vyloučit je.
Při určování polohy sondy „skáčou“ čáry po celé obrazovce.	Zkontrolujte, zda fungují baterie sondy.
	Ověřte signál přemístěním dolní antény blízko k sondě. Poznámka - Signály sondy procházejí obtížně litinou a železnými kanály vedení.
Vzdálenost mezi sondou a oběma póly není stejná.	Sonda může být nakloněná nebo se může jednat o přechod z litiny na plast.
Jednotka se chová nevypočitatelně, nechce snížit výkon.	Baterie jsou možná vybité. Nahraďte je novými bateriemi a zapněte.
Při zapnutí je displej zcela tmavý nebo celý svítí.	Zkuste zařízení vypnout a znovu zapnout.
	Nastavte kontrast LCD displeje.
Není zvuk.	Nastavte zvuk v nabídce zvuku.
Zařízení Scout nechce zachytit signál.	Zkontrolujte, zda je nastavený správný režim a frekvence.
Zařízení Scout se nezapne.	Zkontrolujte orientaci baterií. Zkontrolujte, že jsou baterie dobité. Zkontrolujte, zda jsou kontakty baterie v pořádku. Zařízení může mít spálenou pojistku (je zapotřebí tovární servis).

13. Servis a opravy

⚠ VAROVÁNÍ

Zařízení je třeba doručit do nezávislého autorizovaného servisního střediska produktů RIDGID.

15. Specifikace

Hmotnost s bateriemi.....	1,4 kg
Hmotnost bez baterií.....	1 kg
Rozměry	
Délka.....	28,5 cm
Šířka.....	11,0 cm
Výška.....	56,0 cm
Zdroj napájení	
Velikost baterií 4 C, alkalické 1,5 V (ANSI/NEDA 14A, IEC LR14) nebo 1,2 V NiMH nebo dobíjecí baterie NiCad	
Jmenovité výkonové údaje: 6 V, 550 mA	
Provozní prostředí	
Teplota.....	20°C až 50°C
Vlhkost.....	5% až 95% RV
Skladovací teplota.....	-20°C až 60°C
Standardní frekvence:	
Sonda.....	512 Hz, 640 Hz, 874 Hz, 33 kHz
Aktivní trasování vedení.....	512 Hz, 8 kHz, 33 kHz
Pasivní trasování vedení.....	60 Hz, 50 Hz

Výchozí nastavení

Výchozí nastavení lokátoru jsou:

- Jednotky hloubky = metry a centimetry
- Hlasitost = 1 (jedno nastavení nad umlčením)
- Podsvícení = automatické

Standardní vybavení

- Lokátor Scout
- Značky a držák stožáru
- 2 návody k obsluze: Model USA + Evropa
- 4 článkové baterie typu C (alkalické)
- Video PAL

Volitelné vybavení

- Přídavné značky pólů/sondy
- Vysílač NaviTrack
- Indukční svorka
- Bateriová sonda
- Plovák

16. Legenda k ikonám

IKONY DISPLEJE	
	Frekvence sondy
	Frekvence aktivního trasování
	Frekvence pasivního (AC) pasivního trasování
	Úroveň hlasitosti
	Nabití baterií
	Hloubka
	Indikátor vodorovného úhlu
	Síla signálu
	Nabídka Nástroje
	Kontrast LCD
	Podsvícení LCD
IKONY KLÁVESNICE	
	Navigace hlavní nabídkou
	Reset zvukových tónů / Volba položky nabídky
	Navigace hlavní nabídkou / Vynucené měření hloubky (stiskněte na 3 sekundy)
	Spínač ZAP / tlačítko VYP
	Tlačítko Nabídka
	Tlačítko režimu sondy / trasování / frekvence
	Tlačítko ovládání hlasitosti

HU

NaviTrack Scout Használati utasítás

Eredeti használati utasítás fordítása



ÁLTALÁNOS BIZTONSÁGI INFORMÁCIÓK

VIGYÁZAT! Minden utasítást olvasson el. Az utasítások be nem tartása áramütést, tüzet és/vagy súlyos személyi sérülést eredményezhet.

**OLVASSA EL A MELLÉKELT BIZTONSÁGI ÚTMUTATÁSOKAT.
ŐRIZZE MEG EZT AZ ÚTMUTATÓT!**

Kérésre a EK megfelelőségi nyilatkozatot (890-011-320.10) külön füzet alakjában mellékeljük a jelen kézikönyvhöz.

Akkumulátorra vonatkozó óvintézkedések

- **Kizárólag a megadott méretű és típusú akkut használja. Ne használjon együtt különböző típusú cellákat (pl. alkáli és újratölthető).** Ne használjon együtt részben lemerült és teljesen feltöltött cellákat (pl. régít és újat).
- **Az akkukat a gyártó által meghatározott töltővel töltsé.** Nem megfelelő töltő használata túlmelegedéshez és az akku tönkremeneteléhez vezethet.
- Az akkumulátorokat előírászerűen hulladékkezelje. A magas hőmérséklet hatására az akku felrobbanhat, ezért tűzbe dobni tilos. Egyes országokban szabályozás érvényes az akkumulátorok ártalmatlanítására. Kérjük, tartson be minden vonatkozó szabályozást.

1. A Scout használata és gondozása

- **A berendezést kizárólag a megadottak szerint használja.** A Scoutot csak akkor használja, ha elolvasta a kezelési útmutatót.
- **Az antennákat ne merítse vízbe.** Száraz helyen tartandó. Bizonyos intézkedések csökkentik az áramütés és a műszer sérülésének kockázatát.
- **Ellenőrizze, hogy nem mentek-e tönkre egyes alkatrészek, és ellenőrizzen minden olyan további körülményt, amely befolyásolhatja a Scout működését.** A sérült műszert további használat előtt javíttassa meg. Sok balesetet a nem megfelelően karbantartott szerszámok okoznak.
- **Csak a gyártó által az SR-60-hoz ajánlott tartozékokat használjon.** Az, hogy egy tartozék megfelelően használható az egyik műszerrel, nem jelenti azt, hogy más műszerrel is biztonságosan alkalmazható.
- **A fogantyúkat tartsa szárazon, tisztán, valamint olaj- és zsírmentesen. Így biztonságosabb a műszer kezelése.**
- **Védje a műszert a túlzott hőhatástól.** A terméket hőforrásoktól, mint például radiátoroktól, hőrácsoktól, kályháktól vagy egyéb hőtermelő berendezésektől (beleértve az erősítőket) távol kell elhelyezni.

1.1 Szerviz

- **A diagnosztikai műszert kizárólag képzett javítószemélyzet szervizelheti.** A képzetlen javítószemélyzet által végzett szerviz vagy karbantartás sérüléshez vezethet.

- **Biztosítson megfelelő tisztítást.** Tisztítás előtt távolítsa el az elemet. Folyékony vagy aeroszolos tisztítószerek használata tilos. Tisztításhoz nedves textilt használjon.
- **Végezzen biztonsági ellenőrzést.** A termék bármilyen szervizelésének vagy javításának befejeztével szerviztechnikussal végeztesen biztonsági ellenőrzést annak meghatározására, hogy a termék üzemkész állapotban van-e.
- **A termék szervizt igénylő károsodása.** Szerelje ki az elemeket, és képzett szervizszeméllyel szervizeltesse a műszert, ha a következő körülmények bármelyike fennáll:
 - Ha a termékbe folyadék vagy szilárd tárgy került.
 - Ha a termék a kezelési útmutató betartásával nem üzemeltethető normálisan.
 - Ha a terméket leejtették, illetve bármilyen módon sérült.
 - Ha a termék teljesítményében egyértelmű változás áll be.

A levelezésben kérjük, adják meg az eszköz névtábláján szereplő összes információt, a típus- és a sorozatszámokkal együtt.

1.2 Fontos megjegyzés

A Scout olyan diagnosztikai szerszám, amely képes érzékelni a föld alatt elhelyezkedő tárgyak által kibocsátott elektromágneses mezőket. A szerszám célja, hogy az erővonalak jellemzőinek felismerésével és a képernyőn történő megjelenítésével segítse a felhasználót a tárgyak megkeresésében. Az elektromágneses erővonalak torzulhatnak és interferálhatnak, ezért a föld alatti tárgyak valós elhelyezkedését az ásás megkezdése előtt ellenőrizni kell. **Egyazon területen számos közművezeték futhat a föld alatt.**

Mindenképpen be kell tartani a helyi irányelveket.

A közmű létezése, elhelyezkedése és mélysége csak egyetlen módon állapítható meg biztosan: feltárással.

A Ridge Tool Co., leányvállalatai és beszállítói nem vállalják a felelősséget semmilyen, a Scout használatával összefüggésben keletkező közvetlen, közvetett, véletlen, illetve következményként meglévő vagy fellépő kárért. Egyazon területen számos közművezeték futhat a föld alatt. Mindenképpen be kell tartani a helyi irányelveket.

2. Bevezetés a Scout használatába

A Scout™ szonda és vezetékkereső rendszer többirányú antennák és fejlett jelfeldolgozó funkció alkalmazásával képes meghatározni a szondák pontos helyét, és ezzel gyorsan, pontosan és könnyen meghatározni a földbe temetett közművezetékek elhelyezkedését.

2.1 Mik a rendszer egyedi jellegzetességei?

A Scout fejlett technológiája számos egyedi jellemzőt kínál a hagyományos keresőkhoz képest:

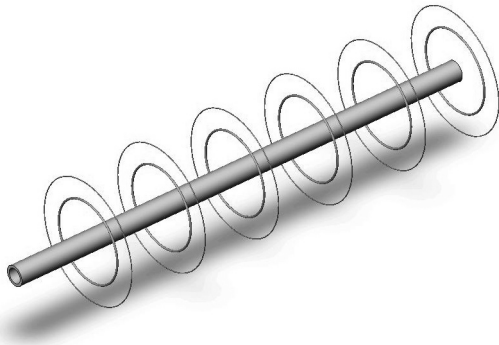
- Többirányú antennarendszer.
- Mikrotérképes nézet.
- Különböző jelkarakterisztikák megjelenítése.

2.2 Mi a rendszer feladata?

A Scout feladata a föld alatti vezetékek (villamos vezetők, pl. fémkábelek, -csövek) vagy szondák (aktív jeladók) által generált elektromágneses mezők észlelése a föld felett. Ha a mező egyszerű és torzítatlan, akkor az észlelt mezők jól mutatják a földbe temetett tárgy valós helyzetét. A Scout a mezőt kibocsátó, vezetékkepes tárgyak helyét határozza meg, és nem közvetlenül a föld alatti tárgyakat érzékeli.

A földbe temetett tárgyak által kibocsátott villamos mezők kétféle típusúak lehetnek. Az első típusú mezőt hosszú vezetők, pl. energia alatt álló huzalok, vizsgálókamerák tolokábelei, ill. csővezetékek bocsátják ki.

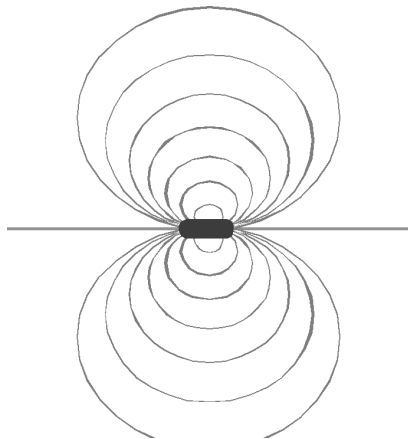
Az ilyen tárgyak hosszú, hengeres mezőt hoznak létre. Ennek keresését gyakran vezetékkeresésnek nevezik.



A töltés alatt álló vezeték által kibocsátott mező.

(A passzív AC keresés ennek különleges esete, ahol a vezetéket elektromos energiával, kívülről helyezik áram alá.)

A második típusú mezőt a szondák (más néven távadók, jeladók vagy aktív vezetékstáták) bocsátják ki. Az ilyen mező más alakú. A Scout rendszert ilyen típusú mezők mérésére és megjelenítésére programozták. A szonda bonyolultabb alakú mezőjét dipólus mezőnek hívják. Ilyen mezőt bocsátanak ki a rúd mágnesek, ill. maga a Föld is.



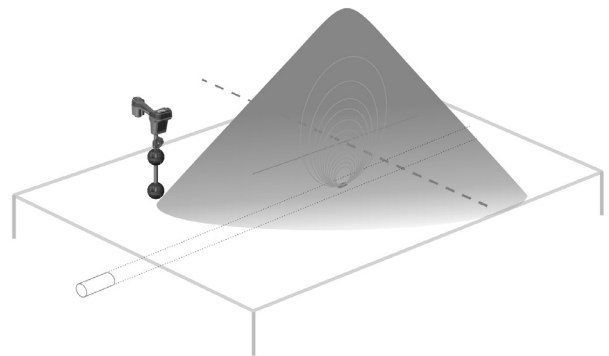
A szonda által kibocsátott dipólus mező.

Az elektromágneses mezők három (3) fontos tulajdonsággal jellemezhetők: a frekvenciával, az erősséggel és a szöggel (iránnyal). A hagyományos keresőkkel – amelyek az erősséget csak az egyes antenna(antennák) irányában képesek mérni – ellentétben a Scout a jelerősséget és a mezőszögeket is három dimenzióban (3D) méri. Ez a funkcióbővítés lehetővé teszi a térképes megjelenítést.

A tapasztalt kezelő az így nyert pluszinformációk segítségével felgyorsíthatja a keresési eljárást, és bonyolultabb keresési feladatokat is képes lehet elvégezni. Másfelől az alkalmi, ill. a kezdő felhasználó is könnyen végezhet keresést, kizárólag a jelerősségre támaszkodva.

A Scout első számú keresési szabálya, hogy minél nagyobb a szám, annál jobb. –

Az elsődleges keresési módszer a jelerősség maximális értékének elérése.



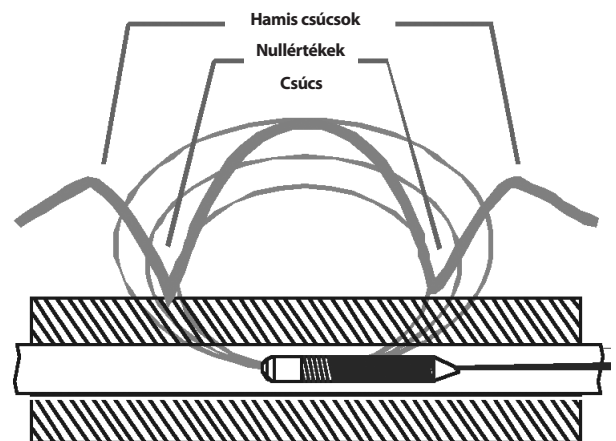
Példa arra, hogy a Scout hogyan mér maximális értéket közvetlenül a szonda felett.

Vonalkeresés, ill. szondakeresés esetén a maximális jelerősség a cél felett áll elő. A cél felett tartózkodva megjelenik a mélység.

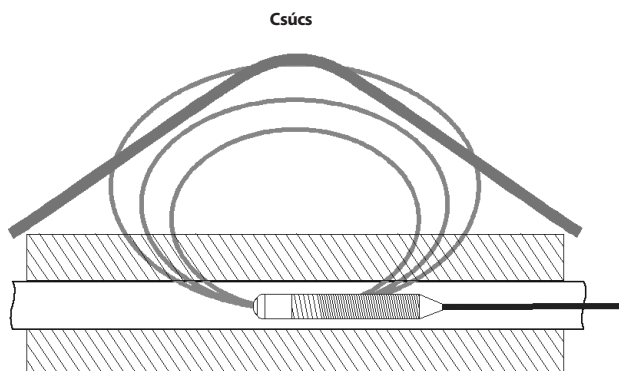
2.3 Mi a Scout többirányú rendszerének előnye?

Az, hogy a jelet többirányú antennák figyelik, határozott előnyökkel jár:

1. A jel mindig erősödik, ha a felhasználó közelebb ér a célhoz.
2. Nincsenek nullák és hamis csúcsok. A hagyományos kereső jele először csúcsot, majd nullát, majd egy kisebb csúcsot mutat. Ez a jelenség megzavarhatja a kezelőt, elsősorban akkor, ha ezt a kisebb csúcsértéket hiszi a keresett szonda jelének (ún. hamis vagy szellemcsúcsok). A szonda csak egyetlen csúcsot lát, ami a célnak felel meg.



A szonda jele hagyományos keresőn. A fő csúcsérték a mező közepében, a két hamis csúcs pedig a két nullértéken kívül tapasztalható.



A szonda jele, ahogy azt a Scout "látja" Egyetlen csúcérték, nullák nélkül.

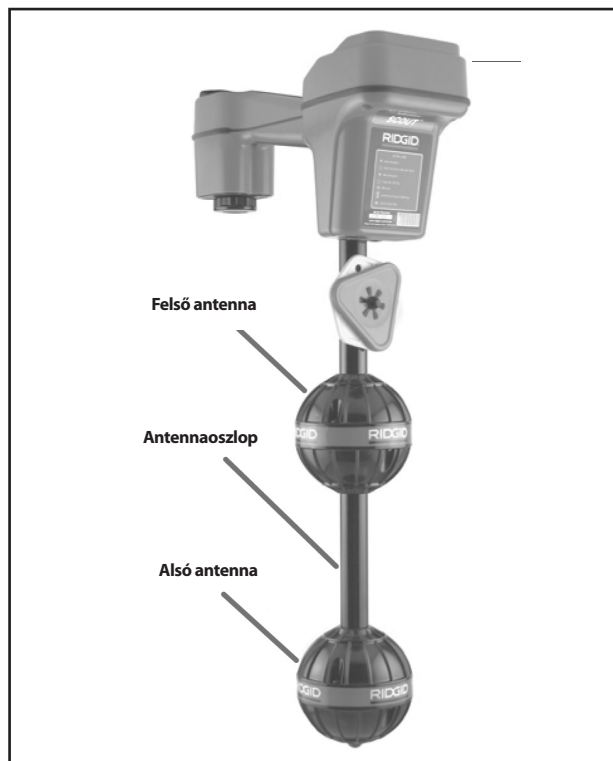
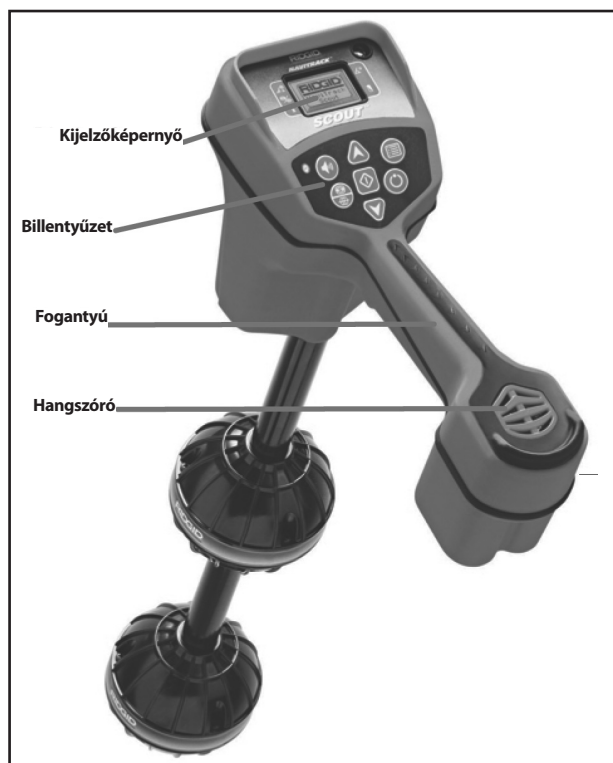
3. Az, hogy az eszközt milyen helyzetben tartják, nem befolyásolja a jelerősséget.
A felhasználó bármelyik irányból megközelítheti a céltárgyat: nem kell előre ismernie a cső vagy vezeték fekvését.
4. A "bonyolult" keresési helyzetek azonosítására és megoldására további eszközök állnak rendelkezésre, például a grafikus mikrotérkép és szögjelző.

2.4 Mi a mikrotérkép előnye?

A térkép grafikusan mutatja a jel jellemzőit. A képernyő grafikus megjelenítése a föld alatti jel madártávlati képe. A térképes kijelzés segédeszközként használható a föld alatti vezetékek követéséhez, illetve a szondák pontos helyének jobb meghatározásához. Az ilyen típusú kijelzés bonyolultabb keresési viszonyok között is több információt ad.

Ha a keresőt a talaj felett mozgatják, akkor a Scout elhalad a föld alatti tárgyak keltette jel felett. Így a felhasználó láthatja és megjelölheti a jel megjelenését a képernyőn. A hagyományos keresők nem képesek térképszerűen ábrázolni a föld alatti jeleket, mert antennájuk nem láthatja azok teljes alakját.

3. A Scout részegységei

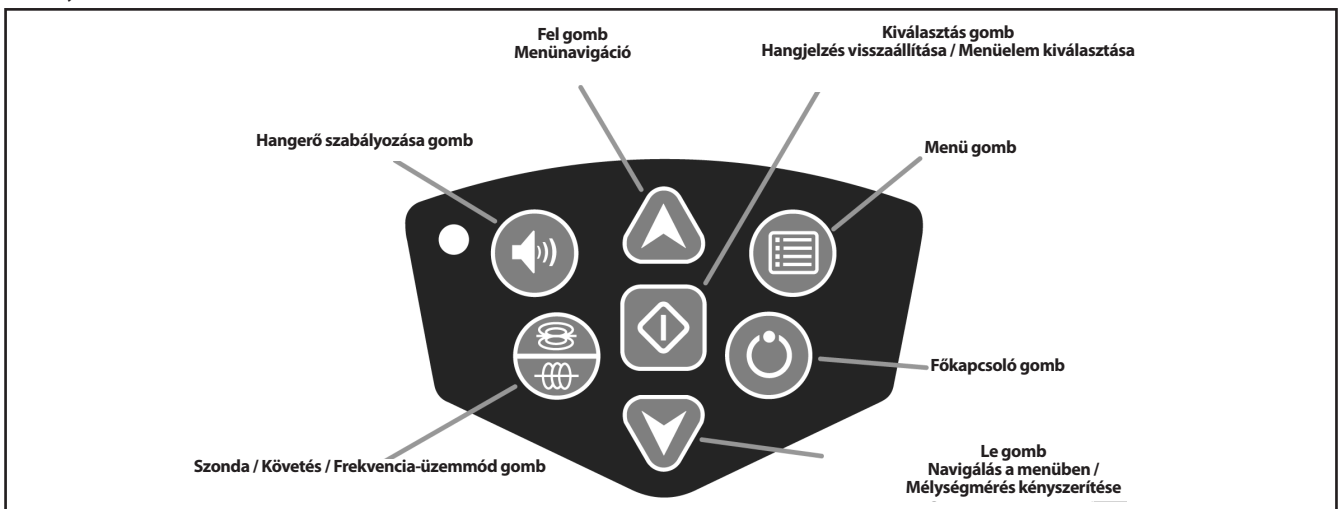




Kijelzőképernyő



Billentyűzet



Hangerőszabályozó gomb – a Hangerő menü megnyitására és bezárására szolgál.

Szonda/Követés/Frekvencia-üzemmód gomb – az aktív frekvenciákat és funkciókat kapcsolja.

Felfelé gomb – a menüpontok közötti felfelé görgetésre szolgál.

Kiválasztás gomb – kiválasztja a kijelölt menüpontot, ha menü van megnyitva.

Lefelé gomb – a menüpontok közötti lefelé görgetésre szolgál.

Menü gomb – megnyitja/bezárja a menüket.

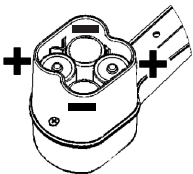
Be-/kikapcsoló gomb – be-, ill. kikapcsolja a Scoutot.

4. Az első lépések

4.1 Az elemek behelyezése/töltése

A Scout elemeinek behelyezéséhez fordítsa fel a műszert, így hozzáférhet az elemtartóhoz. Az elemtartó fedelének forgatógombját fordítsa az óramutatóval ellentétes irányba. A fedél levételéhez a forgatógombot húzza egyenesen felfelé. A belül látható matricának megfelelően helyezze be az elemeket, és ellenőrizze, hogy teljes mértékben érintkeznek-e.

Az ajtót helyezze a tokozásba, és a lezárásához annak kismértékű nyomva tartása közben fordítsa a forgatógombot az óramutató irányába. Az elemtartó fedele bármely elrendezésben felszerelhető.



A Scout bekapcsolása után néhány másodperces akkuellenőrzés történik. Ennek befejeztéig az elemszint "lemerült"-ként látható.

⚠ VIGYÁZAT

Az elemtartóba nem juthat törmelék vagy nedvesség. Az elemtartóba kerülő törmelékek ugyanis rövidre zárhatják az elemérintkezőket. ekkor az elemek hirtelen kisülnek, ami elektrolitszivárgást, sőt, tüzet okozhat.

4.2 Üzemidő

Alkálielemelekkel a Scout kereső tipikus üzemideje 12 - 24 óra, a hangerőtől, a háttérvilágítás bekapcsolt időtartamától, illetve a hasonló tényezőktől függően. Az üzemidőt befolyásolja az elem kialakítása is (több új, nagy teljesítményű elemmel, pl. a "Duracell® ULTRA" használatával igényesebb alkalmazásokban 10 - 20%-kal is hosszabb az üzemidő, mint hagyományos alkálielemelekkel). Az alacsony hőmérsékleten történő üzemeltetés rontja az elem élettartamát.

Az elemek kímélése érdekében a Scout automatikusan lekapcsol, ha 1 óráig nem nyomják le egyik gombot sem. Az üzem folytatásához ekkor elegendő bekapcsolni a műszert.

4.3 Elindítás és leállítás

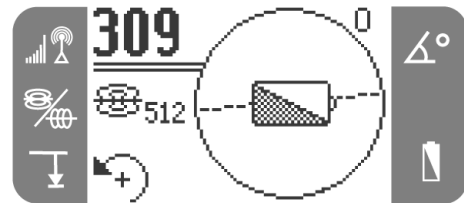
A műszer bekapcsolásához nyomja meg a billentyűzet ki-/bekapcsoló gombját. Ekkor megjelenik a RIDGID® logó, valamint a képernyő jobb alsó sarkában a szoftver verziószáma.



A műszer kikapcsolásához nyomja meg és engedje el a billentyűzet ki-/bekapcsoló gombját. A műszer be-/kikapcsolásakor néhány másodperces késleltetés észlelhető.

4.4 Merülő elem figyelmeztetése

Ha az elem merülőben van, akkor a képernyő térkép területén megjelenik az elem-ikon. Ez azt jelzi, hogy az elemeket cserélni kell, illetve a műszer hamarosan kikapcsol.



Közvetlenül a teljes leállítás előtt nem megszakítható lekapcsolási ciklus indul el.

Bizonyos esetekben a feszültség olyan hirtelen eshet le, hogy a műszer figyelmeztetés nélkül kikapcsol. A műszer ekkor leáll és újraindul. Ilyen esetben cserélje az elemeket, és kapcsolja vissza a műszert.

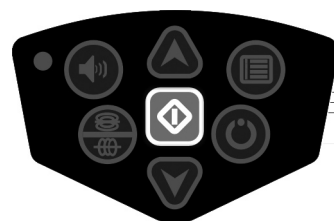
5. Beállítás

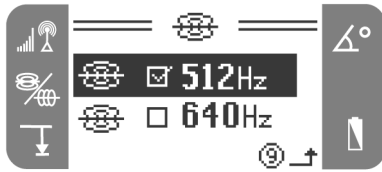
Ha a Scout bekapcsolt állapotban van és működik, akkor a következő lépés a frekvenciák beállítása az alkalmazott berendezéseknek megfelelően. Az egyes frekvenciák a menü listájából jelölhetők ki.

1. Nyomja le a Menü gombot, jelölje ki a kiválasztást, majd az aktiváláshoz nyomja le a Kiválasztás gombot:



2. A felfelé- és lefelé-nyilgombokkal jelölje ki azt a frekvenciát, amely megfelel a szondánál, ill. a vonali jeladónál alkalmazottnak, majd a Kiválasztás gombbal jelölje ki a négyzetet. Lásd a Menüopciók c. részt. A fő képernyőre való visszatéréshez nyomja le a Menü gombot.





⚠ VIGYÁZAT

A kiválasztott frekvenciának meg kell felelnie a kiválasztott használathoz. Az 512 és 33 szonda-ÉS vezetékkövetési frekvenciaként is használható. Ha szondafrekvenciát használnak vezetékkövetésre vagy fordítva, akkor lehet, hogy a Scout pontatlan mélységi információkat jelenít meg.




- Ezután a Szonda/Követés/Frekvencia-üzemmód gombbal görgethet az aktivált frekvenciák és üzemmódok között. Figyelje, hogy a képernyőikonok szerint melyik módban működik a Scout.



- Ha a mélységet, az automatikus háttérvilágítást vagy az LCD kontrasztot be kell állítani, akkor jelölje ki a kívánt opciót a menü Eszközök részén, és a Kiválasztás gombbal végezze el a módosításokat.



5.1 Menüopciók

Frekvenciák Szonda módban		512 Hz 640 Hz 874 Hz 33 Hz
Frekvenciák Vezetékkövetés módban		50 Hz (passzív) 60 Hz (passzív) 512 Hz 8 kHz 33 kHz
Eszközök menü		Láb/Méter Automatikus háttérfény Az LCD kontrasztja

5.2 A Scout hangjelzései

A hang megváltozása a jelerősség növekedésére vagy csökkenésére utal. A jelerősség növekedésekor magasabbá és hangosabbá, csökkenésekor

mélyebbé és halkabbá válik. A jel fokozatos növekedése közben a hang magassága és erőssége csak növekszik, a maximális jelerősség felé irányítva a kezelőt. Ha a jelerősség csökken, akkor a hang visszaáll az alaprežgésre, mintha nem látna jelet.

A Scout automatikus erősítéssel rendelkezik. Ha az erősítés egy lépcsővel feljebb vagy lejjebb áll, akkor a hang visszaáll a magasabb vagy alacsonyabb intenzitásra.

A hangerő a Hang gomb lenyomásával állítható be.



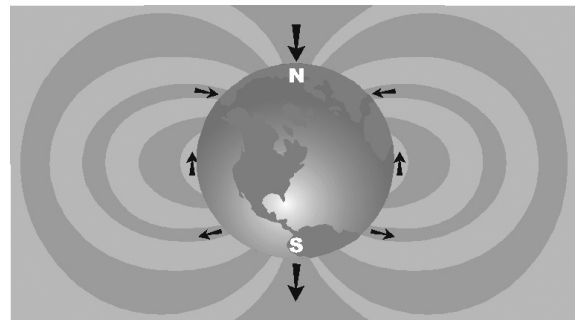
A hangerő a Hang gomb, ill. a hangerő megváltoztatására szintén használható Felfelé és Lefelé nyíl minden lenyomására megváltozik. A képernyőből való kilépéshez nyomja le a Kiválasztás gombot.



MEGJEGYZÉS Ha a Kiválasztás gombot normál üzemben nyomja le, akkor a hangmagasság visszaáll középszintre.

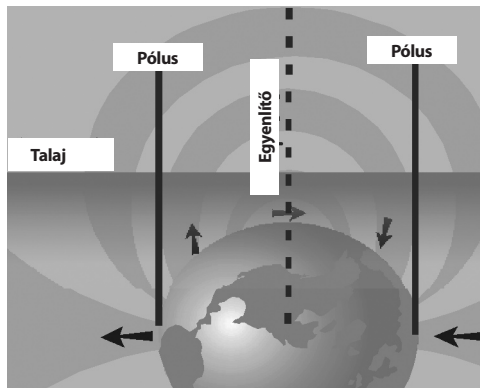
5.3 Áttekintés - A szondák és a Scout kapcsolatának értelmezése

A szondák (más néven távadók, jeladók vagy aktív vezetékzonták) a Föld mágneses mezejéhez igen hasonló elektromágneses mezőt bocsátanak ki.



Ha a Földet az oldalára fordítanák, akkor mágneses mezeje erősen emlékeztetne a szondákéra.

Kereső üzemmódban a Scout méri a szonda mezejét alkotó erővonalak alakját (szögét), és meghatározza e vonalak különálló jellemzőit. Három fontos jellemzőt a **PÓLUSOK** és az **EGYENLÍTŐ** alkotnak. A pólusoknál a jel szöge 90 fokok (függőleges). Az egyenlítőnél ugyanez az érték 0 (vízszintes). A pólusok különálló pontok a térben, ahol az egyenlítő teljesen körülöleli a szondát. E különálló jellemzők állandónak tekinthetők, ezért segítségükkel a szonda helye pontosan meghatározható.



A pólusok rendszerint ott vannak, ahol a hagyományos keresők "nullát" észlelnek: ezek azok a holtpontok, amelyek akkor jelennek meg, ha a jel függőlegesen halad keresztül az antennáikon. A különbség az, hogy a Scout "látja" a pólusokat ("nullákat"), és akkor is megmutatja a helyüket, **ha Ön nem közvetlenül fölöttük áll, függetlenül attól, hogy a Scout antennái hogyan illeszkednek a jelhez.**

Ez az egyik oka annak, hogy a Scout segítségével a keresés sokkal könnyebb, mint a hagyományos keresőkkel.

A szonda azon a ponton helyezkedik el, ahol az egyenlítő pontosan a két pólus között halad át.

5.4 A szonda helyének megkeresése

A Scout használható a csőben elhelyezett szonda (távadó) jelének vételére is. E módon a szonda helye a talaj felett is meghatározható. A szondák a cső problémás pontjára kamerával, rúddal vagy kábellel juttathatók el. A szondákat ezen kívül a csővön lefolyó víz is a helyükre viheti.

A következő példa feltételezi, hogy a szonda vízszintes csőben van, a talaj hozzávetőlegesen vízszintes, és a Scout antenncsopót függőlegesen tartják.

FONTOS A szonda helyének meghatározásában a legfontosabb paraméter a jelerősség. A pontos keresés biztosítása érdekében földmunka-terület kijelölése előtt mindenképpen el kell érni a jelerősség maximális értékét.

5.4.1 A szondák helyének meghatározásánál a keresést a következőképpen építse fel:

- **Mielőtt** a szondát a vezetékbe helyezné, működtesse a Scoutot, ellenőrizve annak megfelelő működését, ill. azt, hogy a Scout veszi-e a szonda jelét.
- Ha a szonda a helyén van és sugároz, aktiválja a szondát, és a Scouton állítsa be ugyanazt a frekvenciát, mint a szondán. A Scoutnak a szondaüzemmód ikonját kell mutatnia.

⚠ VIGYÁZAT

A kiválasztott frekvenciának meg kell felelnie a kiválasztott használathoz. Az 512 és 33 szonda-ÉS vezetékkövetési frekvenciáként is használható. Ha szondafrekvenciát használnak vezetékkövetésre vagy fordítva, akkor lehet, hogy a Scout pontatlan mélységi információkat jelenít meg.

- Menjen a szonda feltételezett helyére. Ha a cső iránya ismeretlen, akkor a szondát kevésbé mélyre tolja a csőbe (a hozzáférési ponttól számított kb. 5 m kezdetnek megfelelő).

5.4.2 Most a szonda helyének meghatározásához az alábbi módszerek egyike szerint járjon el:

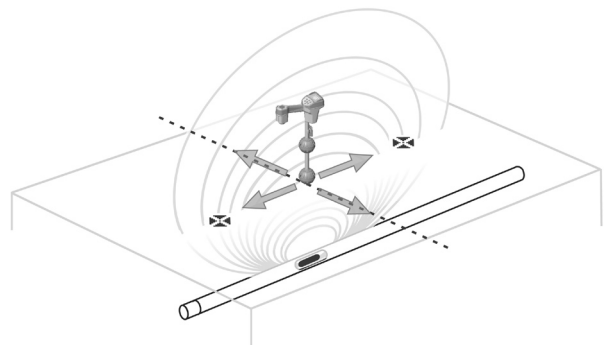
1. módszer – Jelerősség maximalizálása

1. A Scoutot tartsa úgy, hogy az oszlopa kifelé, a törzsétől elfelé nézzen. Az oszloppal pásztázzon a szonda feltételezett irányába. Eközben figyelje a jelerősségi értéket és a hangjelzést. A jel akkor a legerősebb, ha az oszlop a szonda felé mutat.
2. Engedje le a Scoutot normál üzemi helyzetbe (függőleges oszlop), és gyalogoljon a szonda irányába. A szonda megközelítése során a jelerősség értéke növekszik, a hangszín pedig egyre magasabb lesz. A jelerősségi érték és a hang alapján keresse meg a **maximális jelszintet** adó pozíciót.



3. A maximális érték megtalálása után a Scoutot vigye a talaj közelébe, a csúcserték helye fölé, és mozgassa el minden irányba, ellenőrizve, hogy a jelszint csökken-e.

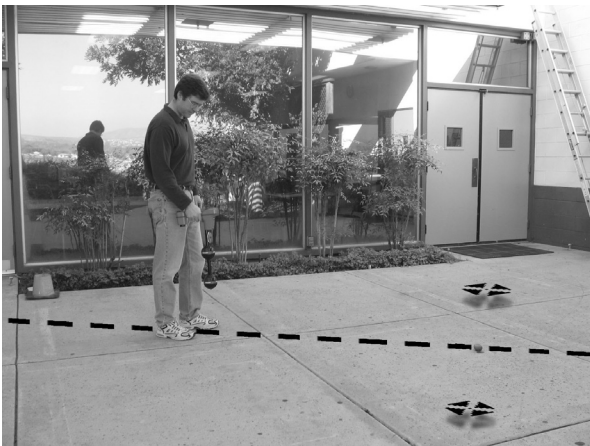
MEGJEGYZÉS A legerősebb jelet adó hely (az egyenlítő vonala) máshol lehet, mint a legmagasabb érzékelt jelszint helye, ha a szonda döntött helyzetben van (lásd a Döntött helyzetű szonda c. fejezetet).



2. módszer – Egyenlítő megkeresése – Maximális érték megkeresése ezt követően

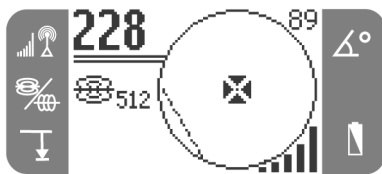
1. A módszer a legjobban az akadálymentes, nyílt területeken használható, ott, **ahol a szondavárhatóan vízszintes**. Az oszloppal tegyen pásztázó mozdulatokat, és gyalogoljon a maximális jelerősség irányába, az 1. módszerhez hasonlóan.
2. Ha a Scout folyamatos egyenlítővonalat mutat a képernyő közepén, akkor kövesse azt a növekvő jelerősség felé. A maximális jelerősség elérése után a Scoutot mozgassa az egyenlítő mentén, **valamint mindegyik irányba**, ellenőrzendő, hogy elérte-e a csúcsertéket.

Ha a szonda döntött helyzetű, akkor mindenképpen meg kell találni a maximális jelerősséget, mert az az a hely, ahol a szonda majd tartózkodik.



Ellenőrizze a keresés pontosságát.

1. A maximális jelerősség pontjában, függőleges oszloppal mozgassa a Scoutot a képernyőn látható egyenlítő mentén. A pólusikon megjelenése után mozgassa a Scoutot úgy, hogy a pólusikon az **alsó antennagömb** célkeresztjén legyen középpontban. Ezen a ponton helyezze az egyik háromszögletű, narancsszínű jelölőt a talajra.



Nézze meg, hogy a Scout mikor van a póluson.

2. A Scoutot mozgassa visszafelé, az egyenlítőn keresztül a másik pólushoz. A célkeresztet vigye a második pólusikonra, és az előzőekben leírtak szerint jelölje meg a pozícióját.
3. Mozduljon visszafelé, a **maximális jelerősségre**. Jelölje meg ezt a pontot a talajon a sárga hatszögletű jelölővel. Az alsó antennagömböt lassan mozgassa elfelé a sárga jelölőtől mindegyik irányban. Közben figyelje a megjelenő jelerősséget. A jelerősségnek közvetlenül a szonda felett kell a legnagyobb lennie.
4. Nézze meg, hogy mindhárom jelölő egy vonalba esik-e, és a sárga hatszögletű jelölő kb. középen van-e a pólusjelölők között.

Ha a sárga jelölő nincs középen, akkor lásd a döntött pozícióban álló szondákról szóló részt.

FONTOS Ha az egyenlítő felett tartózkodik, az NEM feltétlenül jelenti azt, hogy egyben a szonda fölött van! Ne feledje: a szonda helyének meghatározásában a legfontosabb paraméter a jelerősség. A legmagasabb jelerősséget mutató pontban kell tartózkodnia.

A legjobb pontosság érdekében használja a buborékos szintezőt. A pólusok és az egyenlítő megjelölésekor az oszlopnak vízszintesnek kell lennie, különben a helymeghatározás pontatlan!

5.5 Mélységmérés

A Scout a mért mélység számításához összehasonlítja az alsó, illetve a felső antennán vett jel erősségét.

A mélység mérése úgy történik, hogy az alsó antenna közvetlenül a jelforrás fölött érinti a talajt.

1. A mélység méréséhez helyezze a keresőt a talajra, közvetlenül a szonda vagy a vezeték fölé. Győződjön meg arról, hogy a szög visszajelzője legfeljebb 5 fokot mutat-e. Ezután a készüléket a képernyő **bal alsó részén** látható nyíl irányába lassan mozgassa el úgy, hogy megjelenjen a mélység értéke.



A buborékos szintező használatával biztosítható, hogy mélységméréskor az antenna oszlopa függőleges legyen.

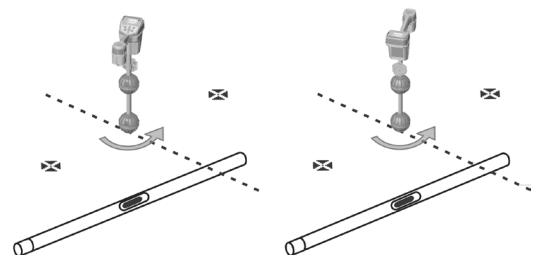
A jelerősség maximalizálása, ill. a mért mélység értékének pontosítása érdekében a Scoutot el kell forgatni úgy, hogy az antenna iránya a jelhez igazodjon.

2. A mélység a bal alsó sarokban jelenik meg.



3. **Mélységmérés kényszerítése** - Ha a szögjelző 5 foknál nagyobb értéket mutat, akkor a Scout nem végez mélységmérést. Nyomja le és tartsa lenyomva a Lefelé nyíl gombot. Ezzel kényszerítheti a mélységmérést, ha a mélység mérhető (lásd a következő fejezetet a döntött helyzetű szondákról).

Mélységméréskor mindig úgy járjon el, hogy a mérést követően 180 fokkal (félkörnyivel) elforgatja a Scoutot, és egy másik mélységmérést is végez. Az alsó gömbnek a talaj ugyanazon pontján kell maradnia, és az oszlopnak függőlegesnek kell lennie. Ha a mélységmérési értékek egymástól 10%-nál jobban eltérnek, akkor torzulás van jelen, ezért a mélységmérés eredménye megkérdőjelezendő.



5.6 Típek a szonda helyének megkereséséhez

- Ha lehetséges, a hang alapján irányítsa a Scoutot a maximális jelerősséghez.
- Ha áthalad az egyenlítőn, de a jel nem éri el a maximális értékét, akkor az egyenlítő mentén mozduljon a legmagasabb jelerősséghez. A szonda egyenlítőjének (a képernyőn látható szaggatott vonalnak) megkeresése NEM feltétlenül jelenti azt, hogy a szondát találta meg. A maximális jelerősséget nyújtó pontot is meg kell keresni. Ha a szonda meredeken döntött helyzetű, akkor az egyenlítő NEM közvetlenül a szonda felett helyezkedik el, és a szondától az egyes pólusokig terjedő távolság nem egyenlő. Ha a szonda döntött helyzetű, akkor meg kell keresni a maximális jelerősség helyét.
- Mindig meg kell erősíteni a maximális jelerősséget adó pont helyét. Ha nem tudja, hogy minden szükséges feltétel biztosan teljesül, akkor ellenőrizze, hogy mit mutat a térkép. A térkép a következő feltételek esetén mutat pontos adatokat:
 1. A talaj vízszintes.
 2. A szonda vízszintes.
 3. A Scout kereső a talaj szintje felett tartózkodik.
 4. A Scout keresőt kb. függőlegesen tartják, egyenesen lefelé mutató antennaoszloppal.

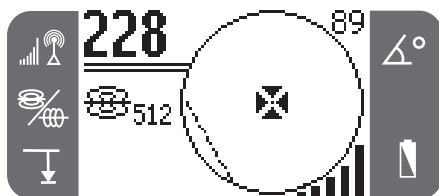
Ha e feltételek nem teljesülnek, akkor gondosan ügyelni kell a jelerősség maximális értékének fenntartására. Általánosságban: a térkép akkor hasznos és pontos, ha a fenti feltételek teljesülnek, és a Scoutot a vezeték mélységének kb. kétszeresét kitevő szélességű keresési sávban használják. A térkép használatakor erre különösen ügyelni kell, ha a jel mélysége nagyon kicsi. A térkép hasznos keresési sávja ugyanis ilyen esetben igen szűk lehet.

5.7 Döntött helyzetű szondák

Ha a szonda ferdén áll, akkor az egyik pólus közelebb, a másik távolabb kerül a szondától, így a szonda nem a két pólust összekötő szakasz felezőpontjában lesz. A közelebbi pólus jelerőssége sokkal nagyobb lesz, mint a távolabbi pólusé. Szélsőséges esetben, ha a szonda annyira döntött, hogy függőlegesen áll, akkor az egyik pólus közvetlenül a szonda feletti pontra mozdul, egyben ez a pólus felel meg a maximális jelerősség helyének is. A másik pólus ilyenkor nem látható.

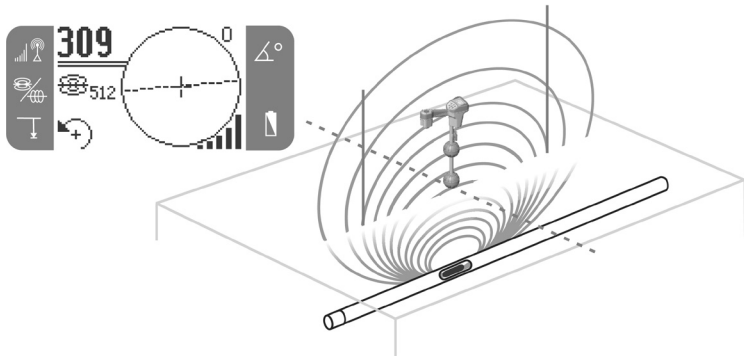
Ezért, ha a szonda függőleges (pl. ha beesik a vezeték vagy a föld alatti tartály egyik folytonossági hiányába), attól még lehetséges a megkeresése a műszerrel.

A szonda függőleges állapotában a képernyőn egy maximális jelerősségű pólus látható.

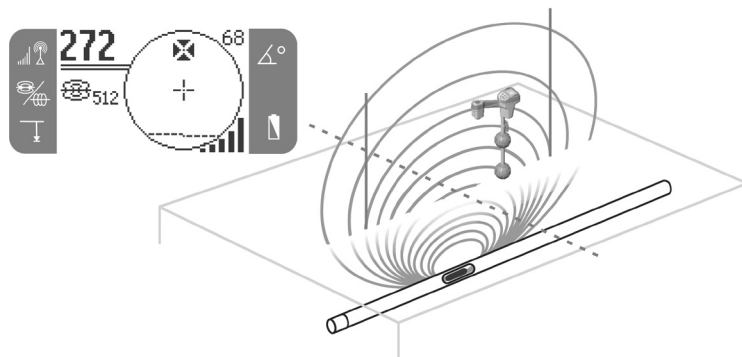


A többirányú antennáknak köszönhetően a mélység akkor is lemérhető, ha a szonda döntött helyzetű. Ilyenkor a mélységmérési funkciót kényszeríteni kell (lásd Mélységmérés).

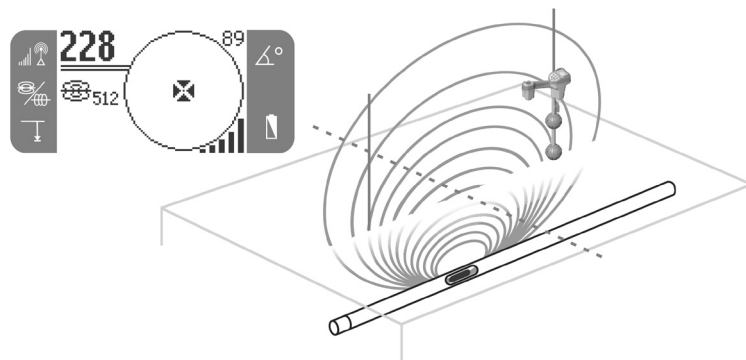
Mikrotérkép - Példák – Szondaüzemmód



A Scout az egyenlítőn



A Scout elhagyja az egyenlítőt, és megközelíti a pólust



A Scout a póluson

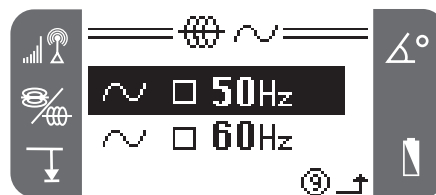
6. Vezeték követése a Scouttal

A Scout felhasználható a csövek, vezetékek vonalának meghatározására, és a vonalvezetés talajon történő feltüntetésére is. A meghatározott helyzetű vezetékek azután a földmunkák során elkerülhető, ill. javítás vagy csere céljából szabaddá tehető. A Scout az energia alatt álló vezetékeket különböző frekvenciák használatával képes követni, ill. passzív módon is használható minden hosszú, jeleket továbbító vezető helyének meghatározásához. A föld alatti vezetékek vezeték-jeladóval helyezhetők energia alá. A keresővel, pl. a Scouttal történő követésnél azután ez az aktív jel érzékelhető.

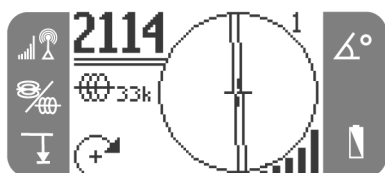
1. Csatlakoztassa a vezeték-jeladót a vezetékhez a gyártó útmutatásai szerint.

A "jeladó" gyűjtőnév minden olyan műszert magába foglal, ami érzékelhető jelet bocsát ki. Jeladónak vagy távadónak nevezzük a szondákat, valamint azokat az eszközöket, amelyekkel a kábel vagy cső energia alá helyezhető.

2. A jeladón használt frekvenciának ugyanannak kell lennie, mint amit a Scouton beállítanak. A Scouton láthatónak kell lennie a vezetékkövetési ikonnak ~. A keresési képernyőre a főmenü gombjával lehet visszatérni.



3. A követés megkezdésénél ajánlott először a jelerősséget megfigyelni, és ellenőrizni, hogy csökken-e, ha a Scoutot elfelé húzzák. Az oszlopot tartsa az elvezetések, ill. maga a jeladó felé, ha induktív módban van. A vezeték felett halatva a jelerősségnek el kell érnie a csúcspontját, majd mindkét oldalon le kell esnie. Ha a jelerősség, ill. a képernyőn látható vonalak NEM esnek egybe, akkor lehet, hogy a jel torzult.
4. A követés során a cső vagy kábel futásvonalát a képernyőn 2 folyamatos vonal mutatja. Ha a vonalat középen tartja, akkor a Scout a föld alatti vezeték vonalát követi. Ha a vonal balra vagy jobbra elmozdul, akkor mozgassa el a Scoutot úgy, hogy visszatérjen középre. A vezeték által kibocsátott jel közvetlenül a vezeték felett a legerősebb. Ha ez nincs így, akkor torzulás van jelen.



MEGJEGYZÉS Vezetékkövetési frekvencia használatakor a képernyőn két vonal látható. Szondafrekvencia használatakor az egyenlítő egyetlen vonalként jelenik meg.

FIGYELEM A jel-interferenciát gondosan figyelni kell, mivel pontatlanná teheti a mért értékeket. A mért mélységi értékek becslésnek tekintendők. A tényleges mélységet a vezeték földmunkát megelőző szabaddá tételével kell ellenőrizni.

5. A követés megkezdésénél ajánlott először a jelerősséget megfigyelni, és ellenőrizni, hogy csökken-e, ha a Scoutot elfelé húzzák. Az oszlopot tartsa az elvezetések, ill. maga a jeladó felé, ha induktív módban van. A vezeték felett halatva a jelerősségnek el kell érnie a csúcspontját, majd mindkét oldalon le kell esnie. Ha a jelerősség, ill. a képernyőn látható vonalak NEM esnek egybe, akkor lehet, hogy a jel torzult.

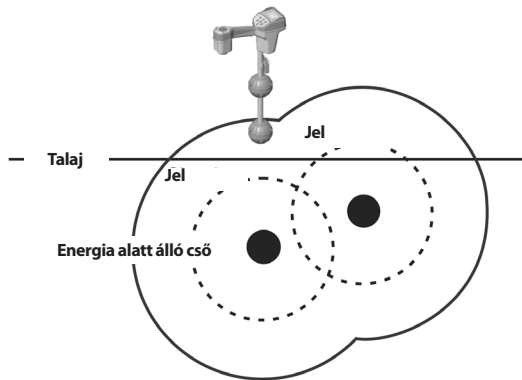
6.1 Passzív váltóáramú vezeték követése

Passzív üzemmódban a Scout észleli a váltóáramú (AC) mezőket. A földbe temetett tápvezetékek általában nem bocsátanak ki mérhető jelet, ha nem folyik áram bennük. A kikapcsolt közvilágítás vezetékeit például nehéz passzív módon követni.

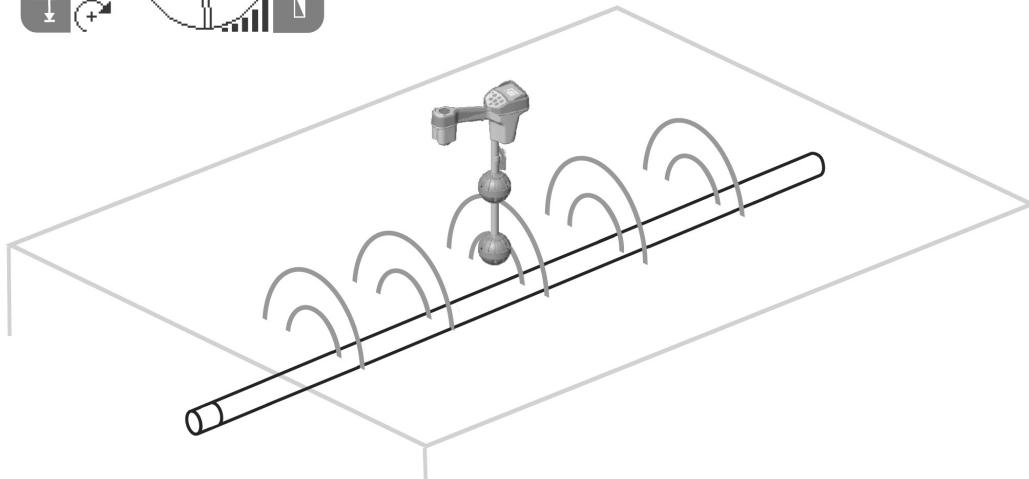
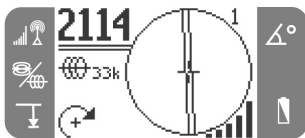
1. Válasszon passzív váltóáramú vezetékkövetési frekvenciát. Ezeket a passzív vezetékkövetés ~ ikonja mutatja.
2. A Scout alapértelmezésben két (2) passzív váltóáramú követési frekvenciával rendelkezik. A két frekvencia 50 Hz és 60 Hz.

6.2 Típek a vezetékkövetéshez

- **Ha a vonalak nem állnak középen a térképen, de a jelerősség értéke mégis maximális, akkor torzulás van jelen!**
 - a. Kísérlelje meg a frekvenciát alacsonyabbra állítani.
 - b. Az alapkitűzési pozíciót mozgassa elfelé a követendő vonaltól.
 - c. Ellenőrizze, hogy a vezeték nincs-e összekötve egy másik közművezetékkel.
 - Ha a vezetékek nem központosak, ill. megmagyarázhatatlan mozgást mutatnak a képernyőn, akkor lehet, hogy a Scout nem vesz tiszta jelet.
 - a. Ellenőrizze, hogy a jeladó megfelelően működik-e, és megfelelően földelt-e.
 - b. Ellenőrizze az áramkört: az alsó antennát vigye a jeladó egyik elvezetéséhez.
 - c. Ellenőrizze, hogy a Scout és a jeladó azonos frekvencián működik-e.
 - d. Próbálkozzon több frekvenciával (az alacsonyabbtól kezdve) mindaddig, amíg a vezeték megbízhatóan észlelhetővé válik.
 - Az áram a legjobban a legkisebb vezetékektől a legnagyobb (legalacsonyabb ellenállású) vezetékek felé folyik. A csővezeték például a ház felől az utca felé követhető a legjobban.
 - Követés közben a jelnek ott kell maximális, ill. a mélységnek minimális értéket adnia, ahol a vonalak középen vannak a kijelzőn. Ha ez nem így van, akkor lehet, hogy a közművezeték kanyarodik, illetve más csatolt jelek is jelen vannak.
 - A magasabb frekvenciájú áram könnyebben átszivárog a szomszédos vezetékekbe. Mindazonáltal magasabb frekvenciára lehet szükség a követővezeték szakadása, illetve a szigetelt csatlakozók okozta ellenállási problémák legyőzéséhez.
 - A jeladó indukciós módban történő használatakor a keresést 10 - 15 méterrel távolabb kell megkezdni annak érdekében, hogy a "légszétlakozás" elkerülhető legyen. A Scout itt közvetlenül a jeladótól veszi fel a jelet, és nem a követendő vezetékből.
- Ha a vonalak nem középen állnak, ill. megmagyarázhatatlanul mozognak a képernyőn, akkor lehet, hogy a Scout nem vesz tiszta jelet.
- a. A talaj vízszintes.
 - b. A vezeték vízszintes.
 - c. A Scout kereső a talaj szintje felett tartózkodik.
 - d. A Scout antennáját körülbelül függőlegesen tartják.
- Ha a feltételek nem teljesülnek, akkor gondosan ügyelni kell a jelerősség maximális értékének fenntartására. Általánosságban: a térkép akkor hasznos és pontos, ha a Scoutot a vezeték mélységének kb. kétszeresét kitevő szélességű keresési sávban használják. A mikrotérkép használatakor erre különösen ügyelni kell, ha a vezeték mélysége nagyon kicsi. A mikrotérkép hasznos keresési sávja ugyanis ilyen esetben igen szűk lehet.



Mikrotérkép - Példa – Vezetékkövetés



7. Eszközök menü

7.1 A mélység mértékegységének módosítása

A Scout a mélységmérés mértékegységét lábra, ill. méterre is megváltoztathatja. E beállítások módosításához egyszerűen jelölje ki a mélység ikonját az Eszközök menüben, majd a Kiválasztás gombbal kapcsoljon át lábra, ill. méterre.



7.2 Automatikus háttérvilágítás

A környezeti fényerősség lecsökkenését a billentyűzet bal felső sarkába épített fényérzékelő észleli. A háttérvilágítás bekapcsolásra kényszeríthető, ha hüvelykujjával elzárja az érzékelőhöz jutó fény útját.

Az automatikus LCD-háttérvilágítás gyári beállítása olyan, hogy csak viszonylag sötét körülmények között kapcsoljon be. Ennek oka az elem

kímélése. Merülő elemek mellett a háttérvilágítás is halványabb. Az elem élettartamának vége felé az elemkapacitás megőrzése érdekében a háttérvilágítás igen alacsony szinten működik.

A háttérvilágítás kikapcsolásához a menü Eszközök részén jelölje ki az izzólámpa-ikont, és a Kiválasztás gombbal kapcsolja Auto, ill. Ki értékre.



7.2.1 LCD kontraszt

E pont kijelölése és kiválasztása esetén az LCD kijelző kontrasztja a felfelé- és lefelé-gombokkal állítható.



8. Hasznos tudnivalók

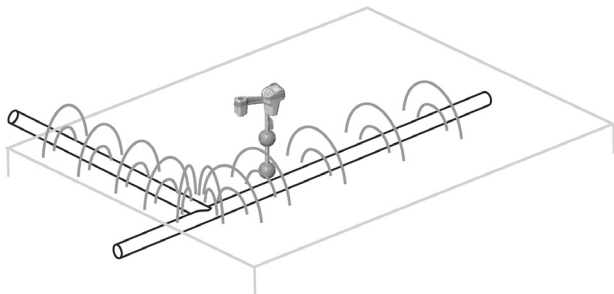
8.1 Jelinterferencia

8.1.1 Torzult mezők

A különálló mezők erővonalait bizonyos esetekben a talajban levő fémek vagy egyéb ferromágneses anyagok eltorzíthatják. Ennek oka lehet másik közművezeték, betemetett hulladék vagy régi, nem használt vezeték, amelyek eltéríthetik, ill. megrövidíthetik az erővonalakat. Ilyen esetekben a Scout esetlegesen gyengébb jelet ad a tárgy körül, és erősebbet közvetlenül felette. A tárgy lencseként működhet, amely előre nem jelezhető módon erősíti vagy gyengíti a jelet.

8.1.2 Összetett mezők

Összetett mezők is lehetségesek. Ha két vagy több különálló mező osztozik ugyanazon a helyen, akkor a keletkező jel erősebb lehet. E jelenségről a kezelőknek mindenképpen tudniuk kell a vezeték T-idomainak, ill. derékszögű könyökeinek felderítésénél. Itt ugyanis gyakran tapasztalhatók összetett mezők.



Összetett mező csőcsatlakozás körül.

8.1.3 Zaj

Az interferáló jelek (zaj) a felderítéssel járó kihívás részét képezik. Az interferencia jelen lehet a használatos frekvenciában is, ill. "sávon kívül", más frekvenciákban is. A legnagyobb mértékű interferáló jelek némelyikét a villamos gépek és berendezések keltik. A teljesítmény-transzformátorok, a nagyméretű villamos motorok vagy generátorok, ill. a villamos vezeték rendkívül erős zajjelet generálhatnak. Ha lehetséges, a különösen zajos területeket kerülni kell.

Ha a szög kijelzése instabil, nem állandó, és/vagy a jelszintek nem állandóak, akkor ez valószínűleg vagy azt jelzi, hogy nincs jelen céljel (szonda vagy energia alatt álló vezeték), vagy azt, hogy erős interferáló zaj van jelen.

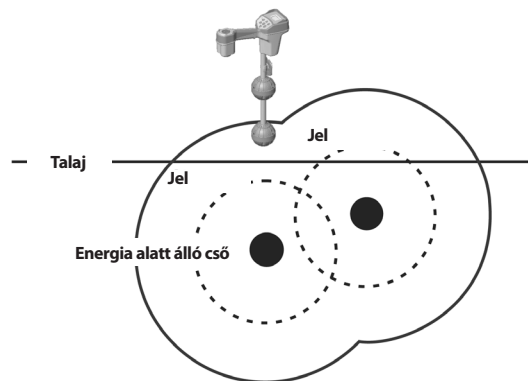
8.2 Pontosságra vonatkozó megjegyzések

A mélység és a jelerősség mérése azon múlik, hogy a Scout erős jelet képes-e venni. Ne feledje: a Scout feladata a föld alatti vezeték (villamos vezeték, pl. fémkábelek, -csövek) vagy szondák (aktív jeladók) által generált elektromágneses mezők észlelése a föld felett. Ha a mező egyszerű és torzítatlan, akkor az észlelt mezők jól mutatják a földbe temetett tárgy valós helyzetét.

Ha e mezők torzultak, és több egymásra ható mező is jelen van, akkor a Scouttal végzett keresés pontatlan. A helymeghatározás nem pontos tudomány: eredménye igényli a kezelő döntését, valamint azt, hogy a műszer mért értékein kívül minden egyéb, rendelkezésre álló információt is figyelembe vegyen. A Scout több információt ad a felhasználónak, ezen információk helyes értelmezése azonban a kezelő felelőssége. Egyik keresőgyártó cég sem állítja, hogy a kezelőnek kizárólag a műszer által adott információk alapján kell eljárnia.

Olyan körülmények, amelyek fennállása esetén a keresés pontosságát meg kell kérdőjelezni:

- **Ha más kábel vagy közmű is jelen van.** Az "átszivárgás" torzult mezőket eredményezhet, illetve szándékolatlanul "megvilágíthat" vezetékeket. Ha lehetséges, alacsonyabb frekvenciákat használjon, és szüntessen meg minden csatlakozást a két vezeték között.



- **Ha a távadót induktív üzemmódban használják.** Így a vezeték jele gyenge lesz. Ha csak lehetséges, közvetlen csatlakozást alkalmazzon.
- **Ha a vezetékben T-idomok, elágazások vannak jelen.** Jeltorzulást eredményezhet.
- **Ha a jelerősség alacsony.** A pontos keresés erős jelet követel.
- **Ha a talajviszonyok változóak.** A nedvességtartalom szélsőségei (túl száraz, illetve vízzel telített talaj) hatással lehetnek a mérésekre. A tengerpartoknál gyakori, sós vízzel telített talaj pl. jelentősen leárnyékolja a jelet, és nagyon nehézé teszi a keresést.

9. Szállítás és tárolás

Szállítás előtt elemkímélési okokból ellenőrizze, hogy az eszköz ki van-e kapcsolva.

Szállítás közben az eszköznek megfelelően rögzítve kell lennie, és nem ugrál-e a laza berendezés miatt.

A Scout hűvös, száraz helyen tartandó.

Ha a Scout hosszú ideig használaton kívül van, akkor távolítsa el az elemeket.

10. Tartozékok felszerelése/használata

A Scouthoz szonda- és pólusjelölőket mellékelünk. Ezek alkalmazhatók a pólus és a szonda helyének kijelölésére a föld felett. A pólusok jelöléséhez két (2) piros, a szondához egy (1) sárga jelölő áll rendelkezésre.

Ha további segítségre van szüksége, kérjük, forduljon forgalmazójához vagy a RIDGID képviselőjéhez.

11. Karbantartás, tisztítás

⚠ VIGYÁZAT

1. A Scoutot nedves textillel és enyhe zsírolóval tisztítsa. Vízbe meríteni tilos.
2. Tisztításhoz ne használjon kaparót és dörzshatású anyagot, mert ezek maradandóan megkarcolhatják a kijelzőt. A rendszer minden részénél TILOS OLDÓSZERT HASZNÁLNI a

tisztításra. Az olyan anyagok, mint az aceton vagy más erős vegyszerek felreperzthetik a borítást.

12. Meghibásodott részek azonosítása

A hibaelhárítási javaslatokat megtalálja a kézikönyv végén, a hibaelhárítási útmutatójában. Szükség esetén további információért és segítségért forduljon a Ridge Tool-hoz vagy forgalmazójához.

13. Szerviz és javítás

⚠ VIGYÁZAT

A készüléket a RIDGID független, jogosult szervizközpontjába kell visszajuttatni.

14. Hibakeresési útmutató

PROBLÉMA	A HIBA LEHETSÉGES HELYE
A Scout használat közben lefagy.	Kapcsolja ki, majd vissza a műszert. Ha a műszer nem kapcsol ki, akkor vegye ki az elemeket.
Vezetékkövetésnél a vonalak "összevissza ugrálnak" a mikrotérképen.	Azt jelzi, hogy a Scout nem észleli a jelet, illetve interferencia áll fenn. Győződjön meg arról, hogy a jeladót helyesen csatlakoztatta és földelte-e. A Scout-ot vigye valamelyik kivezetéshez, ellenőrzendő, hogy az áramkör záródik-e. Próbálkozzon magasabb frekvenciával. Próbálja meghatározni és kiküszöbölni az esetleges zaj forrásait.
Szonda keresésénél a vonalak "összevissza ugrálnak" a képernyőn.	Ellenőrizze, hogy a szonda elemei működnek-e. Ellenőrizze a jelet. Ehhez az alsó antennát vigye közel a szondához. Megjegyzés – A szondák jelkibocsátását az öntött és alakított vascsövek megnehezítik.
A szonda, illetve a pólusok közötti távolságok nem azonosak.	Lehet, hogy a szonda ferdén áll, illetve öntöttvas-műanyag átmenetben helyezkedik el.
A műszer hibásan viselkedik, nem kapcsol le.	Az elemek merülőben lehetnek. Helyezzen be friss elemeket, és kapcsolja be a műszert.
Bekapcsoláskor a kijelző teljesen sötét vagy teljesen világos.	Kapcsolja ki, majd ismét be az egységet. Állítsa be az LCD kontrasztját.
Nincs hang.	A Hang menüben állítsa be a hangerőt.
A Scout nem észleli a jelet.	Ellenőrizze, hogy a megfelelő üzemmódot és frekvenciát állította-e be.
A Scout nem kapcsol be.	Ellenőrizze az elemek polaritását. Ellenőrizze, hogy az elemek fel vannak-e töltve. Ellenőrizze, hogy az elemek kontaktusai tiszták-e. Lehet, hogy a műszer egyik biztosítóka kioldott. (Ekkor gyári szerviz szükséges).

15. Műszaki adatok

Súly elemekkel együtt.....	1,4 kg
Súly elemek nélkül.....	1 kg
Méretek	
Hosszúság.....	28,5 cm
Szélesség.....	11,0 cm
Magasság.....	56,0 cm
Áramforrás	
4 db C-típusú elem, 1,5 V alkáli (ANSI/NEDA 14 A, IEC LR14) vagy 1,2 V NiMH vagy NiCad újratölthető akku	
Névleges feszültség, áram:	
6 V, 550 mA	
Üzemeltetési környezet	
Hőmérséklet.....	20°C .. 50°C
Páratartalom	5% - 95% rel. páratartalom
Tárolási hőmérséklet.....	-20°C .. 60°C
Szabványos frekvenciák	
Szonda.....	512 Hz, 640 Hz, 874 Hz, 33 kHz
Aktív vezetékkövetés.....	512 Hz, 8 kHz, 33 kHz
Passzív vezetékkövetés.....	60 Hz, 50 Hz

Alapértelmezett beállítások

A kereső alapértelmezett beállításai:

- Mélység mértékegysége = méter és centiméter
- Hangerő = 1 (egyfel a némítási szint felett)
- Háttérvilágítás = Auto

Alapfelszereltség

- Scout kereső
- Jelölők és oszloptartó
- 2 kezelői kézikönyv USA + Európa
- 4 db C-típusú elem (alkáli)
- Videó PAL

Opcionális felszereltség

- További pólus-/szondajelölők
- NaviTrack jeladó
- Induktív csipesz
- Akkumulátorszonda
- Úszó

16. Szimbólummagyarázat
A KIJELEZŐ IKONJAI

- Szonda frekvenciája
- Aktív követés frekvenciája
- Passzív (AC) követési frekvencia
- Hangerőszint
- Elemzint
- Mélység
- Vízszintes szögjelző
- Jelerősség
- Eszközök menü
- Az LCD kontrasztja
- LCD háttérvilágítás

BILLENTYŰZET IKONJAI

- Menü navigáció
- Hangjelzés visszaállítása / Menüelem kiválasztása
- Navigáció a menüben / Mélységmérés kényszerítése (3 mp. lenyomás)
- Főkapcsoló gomb
- Menü gomb
- Szonda / Követés / Frekvencia-üzemmód gomb
- Hangerő szabályozása gomb

EL

NaviTrack Scout Οδηγίες λειτουργίας

Μετάφραση του πρωτοτύπου των οδηγιών χρήσης



ΓΕΝΙΚΕΣ ΠΛΗΡΟΦΟΡΙΕΣ ΑΣΦΑΛΕΙΑΣ

ΠΡΟΕΙΔΟΠΟΙΗΣΗ! Διαβάστε και κατανοήστε όλες τις οδηγίες. Αν δεν τηρηθούν όλες οι οδηγίες που αναφέρονται παρακάτω, μπορεί να προκληθεί ηλεκτροπληξία, πυρκαγιά ή/και σοβαρός τραυματισμός.

**ΔΙΑΒΑΣΤΕ ΤΙΣ ΣΥΝΟΔΕΥΤΙΚΕΣ ΟΔΗΓΙΕΣ ΑΣΦΑΛΕΙΑΣ.
ΦΥΛΑΞΤΕ ΑΥΤΕΣ ΤΙΣ ΟΔΗΓΙΕΣ!**

Η δήλωση συμμόρφωσης EK (890-011-320.10) θα συνοδεύει αυτό το εγχειρίδιο σαν ξεχωριστό βιβλιαράκι εφόσον απαιτείται.

Προφυλάξεις που αφορούν τις μπαταρίες

- Χρησιμοποιείτε μόνο μπαταρίες με το μέγεθος και τον τύπο που υποδεικνύονται. Μην συνδυάζετε διαφορετικούς τύπους μπαταρίας (π.χ. μην χρησιμοποιείτε αλκαλικές μπαταρίες μαζί με επαναφορτιζόμενες). Μην χρησιμοποιείτε μερικώς φορτισμένες μπαταρίες μαζί με πλήρως φορτισμένες (δηλ. μην συνδυάζετε παλιές με καινούριες μπαταρίες).
- Η επαναφόρτιση των μπαταριών πρέπει πραγματοποιείται μόνο με τους φορτιστές που καθορίζονται από τον κατασκευαστή των μπαταριών. Αν χρησιμοποιηθεί ακατάλληλος φορτιστής, μπορεί να προκληθεί υπερθέρμανση και ρήξη της μπαταρίας.
- Να απορρίπτετε τις μπαταρίες με τον ενδεδειγμένο τρόπο. Η έκθεση σε υψηλές θερμοκρασίες μπορεί να προκαλέσει έκρηξη της μπαταρίας, συνεπώς η μπαταρία δεν πρέπει να απορρίπτεται σε φωτιά. Σε ορισμένες χώρες υπάρχουν κανονισμοί σχετικά με την απόρριψη μπαταριών. Ακολουθήστε όλους τους ισχύοντες κανονισμούς.

1. Χρήση και φροντίδα του Scout

- Χρησιμοποιήστε τον εξοπλισμό μόνον όπως αναφέρεται στις οδηγίες. Μην χρησιμοποιείτε το Scout αν δεν έχετε ολοκληρώσει την κατάλληλη εκπαίδευση και δεν έχετε διαβάσει το εγχειρίδιο κατόχου.
- Μην βυθίζετε τις κεραίες σε νερό. Να φυλάσσεται σε στεγνό χώρο. Αυτά τα μέτρα περιορίζουν τον κίνδυνο ηλεκτροπληξίας και βλάβης του εργαλείου.
- Ελέγξτε για σπασμένα εξαρτήματα και άλλες καταστάσεις που ενδέχεται να επηρεάζουν τη λειτουργία του Scout. Εάν το εργαλείο έχει υποστεί ζημιά, φροντίστε να επισκευαστεί πριν το χρησιμοποιήσετε. Πολλά ατυχήματα προκαλούνται από κακώς συντηρημένα εργαλεία.
- Χρησιμοποιείτε μόνο τα βοηθητικά εξαρτήματα που συνιστώνται από τον κατασκευαστή ειδικά για το Scout. Εξαρτήματα κατάλληλα για ένα εργαλείο ενδέχεται να είναι επικίνδυνα εάν χρησιμοποιηθούν σε άλλο εργαλείο.
- Διατηρείτε τις λαβές στεγνές και καθαρές, χωρίς λάδια και γράσα. Έτσι έχετε καλύτερο έλεγχο του εργαλείου.

- Προστατεύστε το εργαλείο από υπερβολική θερμότητα. Το προϊόν πρέπει να βρίσκεται μακριά από πηγές θερμότητας, όπως καλοριφέρ, αερόθερμα, θερμάστρες ή άλλα προϊόντα (συμπεριλαμβανομένων ενισχυτών) που παράγουν θερμότητα.

1.1 Σέρβις

- Το σέρβις του διαγνωστικού εργαλείου πρέπει να πραγματοποιείται αποκλειστικά από εξειδικευμένο τεχνικό προσωπικό. Το σέρβις ή η συντήρηση που πραγματοποιείται από μη εξειδικευμένο τεχνικό προσωπικό μπορεί να οδηγήσει σε τραυματισμό.
- Ακολουθείτε τη σωστή διαδικασία καθαρισμού. Αφαιρέστε τις μπαταρίες πριν από τον καθαρισμό. Μην χρησιμοποιείτε υγρά καθαριστικά ή καθαριστικά σε μορφή αεροζόλ. Χρησιμοποιήστε ένα υγρό πανί για τον καθαρισμό.
- Διενεργήστε έλεγχο ασφαλείας. Μετά την ολοκλήρωση κάθε εργασίας συντήρησης ή επισκευής αυτού του προϊόντος, ζητήστε από τον τεχνικό σέρβις να πραγματοποιήσει ελέγχους ασφαλείας, ώστε να διαπιστώσει αν το προϊόν βρίσκεται στη σωστή κατάσταση λειτουργίας.
- Ζημιά στο προϊόν που απαιτεί σέρβις. Αφαιρέστε τις μπαταρίες και αναθέστε το σέρβις σε εξειδικευμένο τεχνικό προσωπικό, σε οποιαδήποτε από τις παρακάτω περιπτώσεις:
 - Εάν έχουν εισχωρήσει υγρά ή έχουν πέσει αντικείμενα μέσα στο προϊόν.
 - Εάν το προϊόν δεν λειτουργεί κανονικά ενώ ακολουθείτε τις οδηγίες λειτουργίας.
 - Εάν το προϊόν έχει πέσει ή έχει υποστεί οποιαδήποτε άλλη ζημιά.
 - Εάν το προϊόν εμφανίζει αισθητή αλλαγή στην απόδοση.

Σε κάθε γραπτή επικοινωνία, δίνετε όλα τα στοιχεία που αναγράφονται στην ετικέτα τεχνικών χαρακτηριστικών του εργαλείου, καθώς και τον αριθμό μοντέλου και τον αριθμό σειράς.

1.2 Σημαντική επισήμανση

Το Scout είναι ένα διαγνωστικό εργαλείο που ανιχνεύει τα ηλεκτρομαγνητικά πεδία που εκπέμπουν αντικείμενα που βρίσκονται υπογείως. Βοηθά στον εντοπισμό υπόγειων αντικειμένων, διότι είναι σχεδιασμένο έτσι ώστε να αναγνωρίζει τα χαρακτηριστικά των δυναμικών γραμμών των πεδίων και να τα εμφανίζει στην οθόνη. Επειδή οι δυναμικές γραμμές των ηλεκτρομαγνητικών πεδίων υφίστανται παραμορφώσεις και παρεμβολές, η θέση των υπόγειων αντικειμένων πρέπει να επαληθεύεται πριν ξεκινήσει η εκσκαφή.

Υπογείως, στην ίδια περιοχή, μπορεί να βρίσκονται διάφοροι αγωγοί κοινής ωφέλειας.

Τηρείτε τους κατά τόπους ισχύοντες κανονισμούς.

Η εκσκαφή και η αποκάλυψη του αγωγού είναι ο μόνος τρόπος για να βεβαιωθείτε για την ύπαρξη, τη θέση και το βάθος στο οποίο βρίσκεται.

Η Ridge Tool Co., οι θυγατρικές και οι προμηθευτές της δεν φέρουν καμία ευθύνη για κανενός είδους τραυματισμό και καμία άμηση, έμμεση, τυχαία ή παρεπόμενη ζημιά που μπορεί να προκληθούν λόγω της χρήσης του Scout. Υπογείως, στην ίδια περιοχή, μπορεί να βρίσκονται διάφοροι αγωγοί κοινής ωφέλειας. Τηρείτε τους κατά τόπους ισχύοντες κανονισμούς.

2. Παρουσίαση του Scout

Ο εντοπιστής πομπών sonde και αγωγών Scout™ χρησιμοποιεί πολυκατευθυντικές κεραίες και προηγμένο λογισμικό επεξεργασίας, ώστε να επιτρέπει τον εντοπισμό πομπών sonde και την ανίχνευση υπόγειων αγωγών κοινής ωφέλειας ταχύτερα, ακριβέστερα και ευκολότερα.

2.1 Ποια είναι τα μοναδικά χαρακτηριστικά του;

Χάρη στην προηγμένη τεχνολογία του, το Scout διαθέτει ορισμένα μοναδικά χαρακτηριστικά σε σχέση με τους συμβατικούς εντοπιστές:

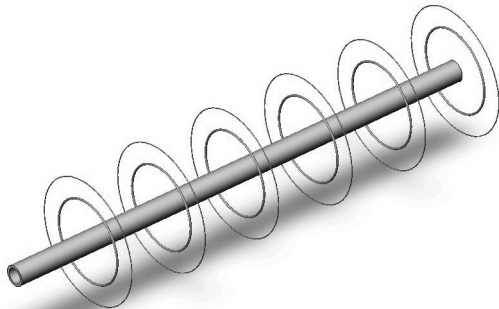
- Σύστημα εντοπισμού με πολυκατευθυντικές κεραίες.
- Προβολή μικροχάρτη.
- Εμφάνιση επιμέρους χαρακτηριστικών σήματος.

2.2 Τι ακριβώς κάνει;

Το Scout χρησιμοποιείται πάνω από την επιφάνεια του εδάφους για να ανιχνεύει τα ηλεκτρομαγνητικά πεδία που δημιουργούν υπόγειοι ή κρυφοί αγωγοί (ηλεκτρικοί αγωγοί, όπως μεταλλικά καλώδια και σωλήνες) ή πομποί sonde (ενεργητικοί πομποί). Όταν τα πεδία είναι απλά και χωρίς παραμορφώσεις, τότε τα ανιχνεύσιμα πεδία είναι αντιπροσωπευτικά του υπόγειου αντικείμενου. Το Scout εντοπίζει αγωγίμα αντικείμενα που δημιουργούν ηλεκτρικά πεδία, δεν ανιχνεύει απευθείας το υπόγειο αντικείμενο.

Τα ηλεκτρικά πεδία που εκπέμπονται από υπόγεια αντικείμενα είναι δύο τύπων: ο πρώτος τύπος πεδίου εκπέμπεται από αγωγούς μεγάλου μήκους, όπως είναι τα ηλεκτροφόρα καλώδια, τα καλώδια προώθησης για κάμερες επιθεώρησης ή οι σωληνώσεις.

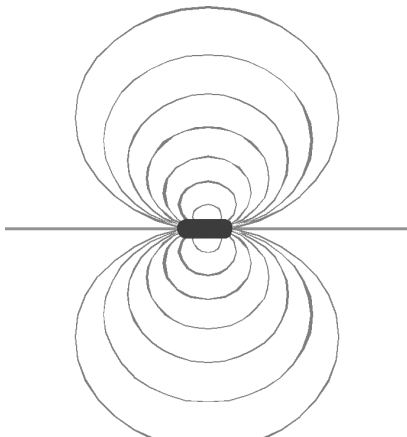
Αυτά τα αντικείμενα δημιουργούν ένα επίμηκες κυλινδρικό πεδίο που συχνά αναφέρεται ως ανίχνευση "αγωγού".



Το πεδίο που εκπέμπει ένας φορτισμένος αγωγός.

(Η παθητική ανίχνευση AC είναι απλώς μια ειδική περίπτωση όπου ο αγωγός είναι "ενεργοποιημένος" με ηλεκτρικό ρεύμα).

Ο δεύτερος τύπος αντικειμένων, οι πομποί sonde (που ονομάζονται και ραδιοφάροι ή ενεργοί ανιχνευτές αγωγών), εκπέμπουν πεδίο διαφορετικού σχήματος και το Scout είναι προγραμματισμένο έτσι ώστε να μετρά και να εμφανίζει αυτόν τον τύπο πεδίου στην οθόνη. Το πιο σύνθετο σχήμα πεδίου ενός πομπού sonde ονομάζεται διπολικό πεδίο και είναι ίδιο με το σχήμα του πεδίου μιας μαγνητικής ράβδου και του πλανήτη Γη.

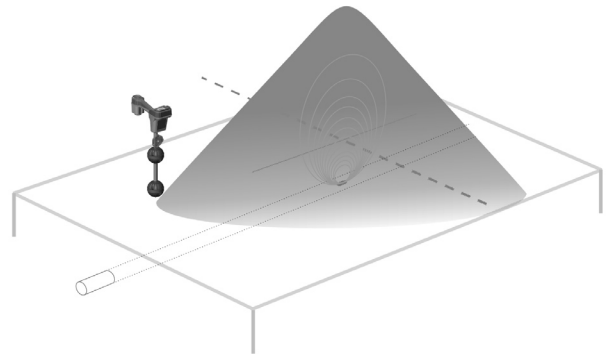


Το διπολικό πεδίο που εκπέμπει ένας πομπός sonde.

Τα ηλεκτρομαγνητικά πεδία έχουν τρία (3) σημαντικά χαρακτηριστικά: συχνότητα, ένταση και κλίση (κατεύθυνση). Αντίθετα με τους συμβατικούς εντοπιστές, που μπορούν να μετρήσουν την ισχύ του σήματος μόνο προς την κατεύθυνση κάθε επιμέρους κεραίας, το Scout μετρά και την ισχύ του σήματος και την κλίση του πεδίου σε τρεις κατευθύνσεις (3D). Αυτή η προηγμένη δυνατότητα καθιστά δυνατή τη χαρτογράφηση του σήματος στην οθόνη.

Ο έμπειρος χειριστής μπορεί να χρησιμοποιήσει τις συμπληρωματικές αυτές πληροφορίες για να επιταχύνει τη διαδικασία εντοπισμού και να ξεκαθαρίσει περιπλοκές περιπτώσεις. Οι περιστασιακοί ή οι αρχάριοι χειριστές μπορούν εύκολα να πραγματοποιήσουν τον εντοπισμό χρησιμοποιώντας μόνο την ισχύ του σήματος.

Ο 1ος κανόνας για εντοπισμό με το Scout είναι τα μεγάλα νούμερα! – Η μεγιστοποίηση της ισχύος του σήματος είναι η βασική μέθοδος εντοπισμού.



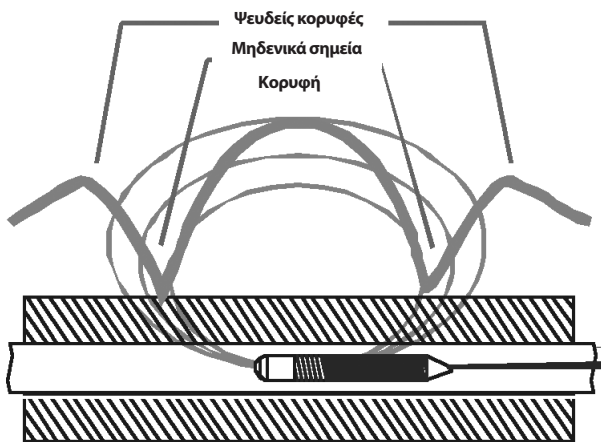
Παράδειγμα μεγιστοποίησης του σήματος στο Scout πάνω από τον πομπό sonde.

Είτε πραγματοποιείτε ανίχνευση αγωγού είτε εντοπισμό πομπού sonde, η μέγιστη ισχύς του σήματος εμφανίζεται πάνω από το στόχο. Μόλις βρεθείτε πάνω από το στόχο, εμφανίζεται και το βάθος στην οθόνη.

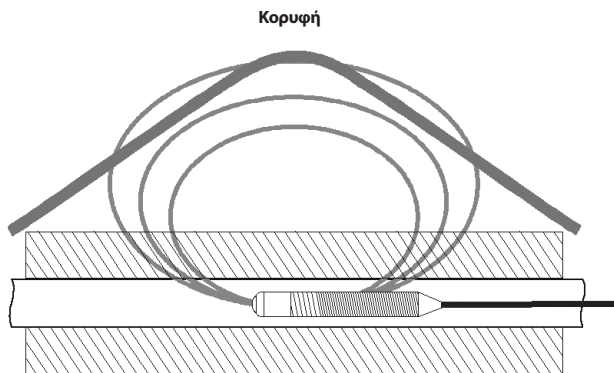
2.3 Τι είναι το πολυκατευθυντικό πλεονέκτημα του Scout;

Η προβολή του συνόλου του σήματος με τις πολυκατευθυντικές κεραίες έχει σαφή πλεονεκτήματα:

1. Το σήμα γίνεται πάντα ισχυρότερο όσο ο χειριστής πλησιάζει στο στόχο.
2. Εξαλείφονται τα μηδενικά σημεία και οι "εικονικές κορυφές". Στο σήμα ενός συμβατικού εντοπιστή υπάρχει μια κορυφή, μετά ένα μηδενικό σημείο και μετά μια μικρότερη κορυφή. Αυτό μπορεί να μπερδέψει το χειριστή, ιδιαίτερα εάν θεωρήσει ότι η μικρότερη κορυφή (που ονομάζεται "εικονική" ή "ψευδής" κορυφή) είναι ο στόχος. Το Scout βλέπει μόνο μία κορυφή, ώστε να προσανατολίσει το χειριστή προς το στόχο.



Σήμα πομπού sonde όπως λαμβάνεται από συμβατικό εντοπιστή. Κύρια κορυφή στο κέντρο και δύο ψευδείς κορυφές έξω από τα δύο μηδενικά σημεία.



Σήμα πομπού sonde όπως λαμβάνεται από το Scout. Μόνο μία κορυφή, χωρίς μηδενικά σημεία.

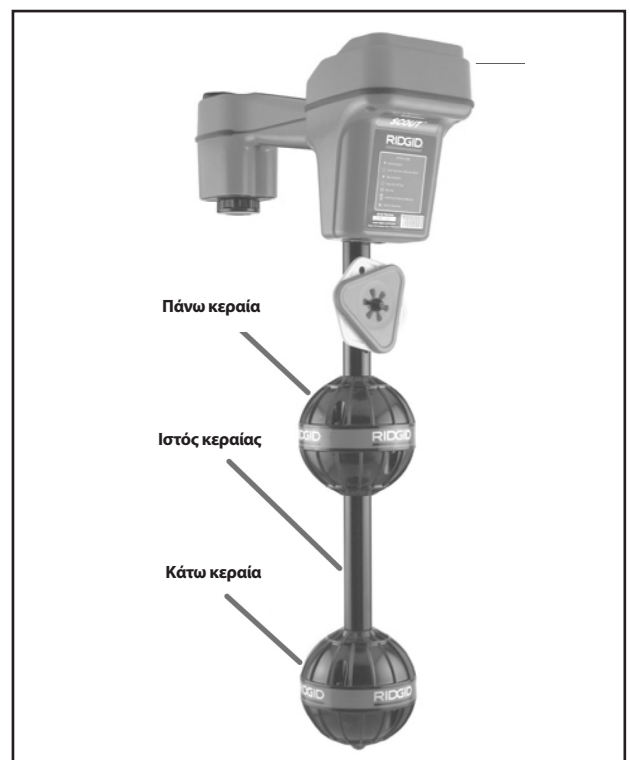
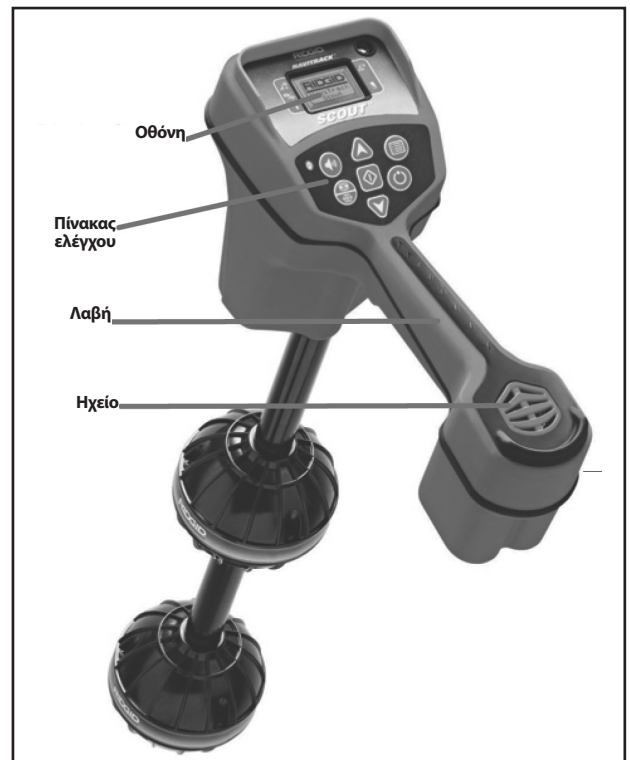
3. Ο τρόπος που κρατά ο χειριστής τη συσκευή δεν επηρεάζει την ισχύ του σήματος.
Ο χειριστής μπορεί να πλησιάσει από οποιαδήποτε κατεύθυνση και δεν χρειάζεται να γνωρίζει τον προσανατολισμό του σωλήνα ή του καλωδίου.
4. Συμπληρωματικά εργαλεία για να διαπιστώσετε και να επιλύσετε δύσκολες περιπτώσεις εντοπισμού είναι ο εικονικός μικροχάρτης και η ένδειξη κλίσης, που σας βοηθούν να ερμηνεύσετε τα χαρακτηριστικά του σήματος.

2.4 Ποια είναι τα πλεονεκτήματα του μικροχάρτη;

Ο χάρτης απεικονίζει γραφικά τα χαρακτηριστικά του σήματος. Εμφανίζει γραφικά στην οθόνη την κάτοψη του υπόγειου σήματος. Χρησιμοποιείται ως οδηγός για την ανίχνευση υπόγειων αγωγών και μπορεί να χρησιμοποιηθεί για να προσδιοριστεί καλύτερα το στίγμα του πομπού sonde. Μπορεί επίσης να χρησιμοποιηθεί για να δώσει περισσότερες πληροφορίες σε πολύπλοκες διαδικασίες εντοπισμού.

Μετακινώντας τον εντοπιστή πάνω από το έδαφος, το Scout περνά πάνω από το σήμα που εκπέμπουν τα υπόγεια αντικείμενα. Ο χειριστής μπορεί να δει την απεικόνιση του σήματος στην οθόνη και να επισημάνει σημεία στο έδαφος. Οι συμβατικοί εντοπιστές δεν μπορούν να χαρτογραφήσουν το υπόγειο σήμα, διότι οι κεραίες τους δεν μπορούν να δουν συνολικά τη μορφή του.

3. Εξαρτήματα του Scout

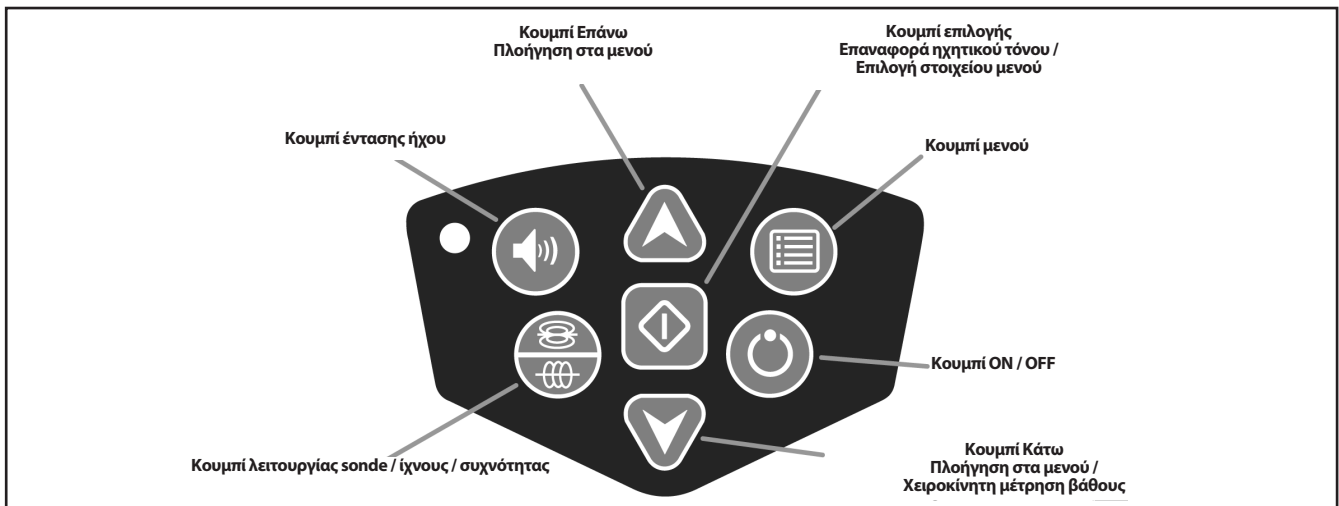




Οθόνη



Πίνακας ελέγχου

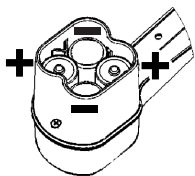


- Κουμπί έντασης ήχου** – ανοίγει και κλείνει το μενού ηχητικής έντασης.
- Κουμπί λειτουργίας sonde/ίχνου/συχνότητας** – εναλλάσσει ενεργές συχνότητες και λειτουργίες.
- Κουμπί πάνω** – διατρέχει τις επιλογές των μενού προς τα πάνω.
- Κουμπί επιλογής** – επιλέγει την τονισμένη επιλογή στο ανοικτό μενού.
- Κουμπί κάτω** – διατρέχει τις επιλογές των μενού προς τα κάτω.
- Κουμπί μενού** – ανοίγει/κλείνει το μενού.
- Κουμπί ON/OFF** – ενεργοποιεί και απενεργοποιεί το Scout.

4. Για να ξεκινήσετε

4.1 Τοποθέτηση/Αλλαγή μπαταριών

Για να τοποθετήσετε τις μπαταρίες στο Scout, γυρίστε τη συσκευή ανάποδα για να έχετε πρόσβαση στην υποδοχή των μπαταριών. Γυρίστε το κουμπί της υποδοχής των μπαταριών αριστερόστροφα. Τραβήξτε ευθεία προς τα πάνω το κουμπί για να αφαιρέσετε το καπάκι. Τοποθετήστε τις μπαταρίες όπως φαίνεται στην εσωτερική ετικέτα και βεβαιωθείτε ότι έχουν πλήρη επαφή. Τοποθετήστε το καπάκι στη θέση του και γυρίστε το κουμπί δεξιόστροφα, πιέζοντας ελαφρά προς τα κάτω για να το κλείσετε. Το καπάκι των μπαταριών μπορεί να τοποθετηθεί με οποιονδήποτε προσανατολισμό.



Κατά την ενεργοποίησή του, το Scout χρειάζεται λίγα δευτερόλεπτα για να ελέγξει τις μπαταρίες. Στο διάστημα αυτό, η μπαταρία εμφανίζεται "άδεια".

⚠ ΠΡΟΕΙΔΟΠΟΙΗΣΗ


Φροντίστε, ώστε να μην εισέρχονται ακαθαρσίες στην υποδοχή των μπαταριών. Οι ακαθαρσίες μπορεί να βραχυκυκλώσουν τις επαφές των μπαταριών, προκαλώντας την ταχεία αποφόρτισή τους, με κίνδυνο διαρροής του ηλεκτρολύτη ή πυρκαγιάς.

4.2 Χρόνος λειτουργίας


Ο τυπικός χρόνος λειτουργίας του εντοπιστή Scout, όταν λειτουργεί με αλκαλικές μπαταρίες, κυμαίνεται μεταξύ 12 και 24 ωρών περίπου. Ο χρόνος αυτός εξαρτάται από παράγοντες όπως η ένταση του ήχου και πόσο συχνά φωτίζεται η οθόνη. Ένας άλλος παράγοντας που επηρεάζει το χρόνο λειτουργίας είναι η χημική σύσταση των μπαταριών (πολλές μπαταρίες νέου τύπου, υψηλής απόδοσης, όπως οι "Duracell® ULTRA", όντως διαρκούν 10 - 20% περισσότερο από τις συμβατικές αλκαλικές μπαταρίες σε συνθήκες υψηλών απαιτήσεων). Η λειτουργία σε χαμηλές θερμοκρασίες μειώνει επίσης τη διάρκεια ζωής των μπαταριών.

Για εξοικονόμηση του φορτίου των μπαταριών, το Scout σβήνει αυτόματα αν δεν πατηθεί κανένα κουμπί για 1 ώρα. Για να το ξαναχρησιμοποιήσετε, απλά ενεργοποιήστε και πάλι τη μονάδα.

4.3 Ενεργοποίηση και απενεργοποίηση

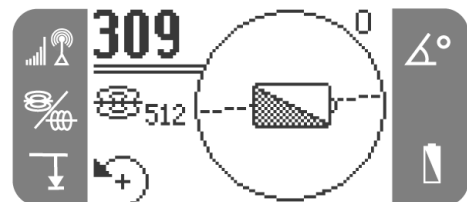
Για να ενεργοποιήσετε τη συσκευή, πατήστε το κουμπί ON/OFF  στον πίνακα ελέγχου. Θα εμφανιστεί το λογότυπο RIDGID® και ο αριθμός έκδοσης του λογισμικού στην κάτω δεξιά γωνία της οθόνης.



Για να απενεργοποιήσετε τη συσκευή, πατήστε και αφήστε το κουμπί ON/OFF  στον πίνακα ελέγχου. Να θυμάστε ότι υπάρχει μια καθυστέρηση μερικών δευτερολέπτων όταν ενεργοποιείτε/απενεργοποιείτε τη συσκευή.

4.4 Προειδοποίηση χαμηλής μπαταρίας

Όταν πέσει το φορτίο της μπαταρίας, αρχίζει να εμφανίζεται ένα εικονίδιο μπαταρίας στην περιοχή του χάρτη στην οθόνη. Αυτό σημαίνει ότι οι μπαταρίες πρέπει να επαναφορτιστούν και ότι μονάδα σύντομα θα σταματήσει να λειτουργεί.



Λίγο πριν σβήσει τελείως η μονάδα, εκτελείται μια ακολουθία απενεργοποίησης που δεν μπορεί να διακοπεί.

Ορισμένες φορές, όταν η μονάδα λειτουργεί με επαναφορτιζόμενες μπαταρίες, η τάση πέφτει απότομα και η μονάδα σβήνει απευθείας. Η μονάδα σβήνει και κάνει επανεκκίνηση. Απλώς αντικαταστήστε τις μπαταρίες και ενεργοποιήστε και πάλι τη μονάδα.

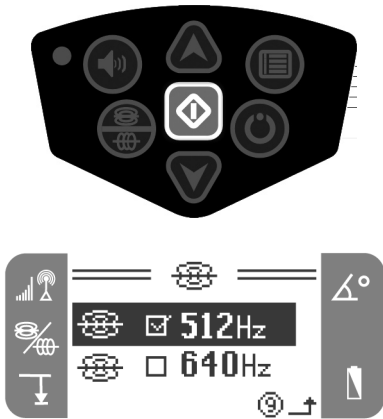
5. Ρυθμίσεις

Μόλις τεθεί σε λειτουργία το Scout, το επόμενο βήμα είναι να ρυθμίσετε τις απαιτούμενες συχνότητες που αντιστοιχούν στον εξοπλισμό που θέλετε να εντοπίσετε. Μπορείτε να ενεργοποιήσετε κάθε επιμέρους συχνότητα που θα χρησιμοποιήσετε από τη λίστα στο κύριο μενού.

1. Πατήστε το κουμπί των μενού, τονίστε την επιλογή που θέλετε και μετά πατήστε το κουμπί επιλογής για να ενεργοποιήσετε την επιλογή σας:



2. Με το πάνω και το κάτω βέλος, τονίστε τη συχνότητα που αντιστοιχεί στη συχνότητα που χρησιμοποιεί ο πομπός sonde ή ο πομπός αγωγού και μετά πατήστε το κουμπί επιλογής για να τσεκάρετε το αντίστοιχο τετραγωνάκι. Για βοήθεια, ανατρέξτε στις επιλογές των μενού. Πατήστε το κουμπί μενού για να επιστρέψετε στην κύρια οθόνη.



⚠ ΠΡΟΕΙΔΟΠΟΙΗΣΗ

Βεβαιωθείτε ότι η συχνότητα που επιλέξατε αντιστοιχεί στην επιθυμητή εφαρμογή. Οι συχνότητες 512 και 33 μπορούν να χρησιμοποιηθούν και ως συχνότητες εντοπισμού πομπών sonde ΚΑΙ ως συχνότητες ανίχνευσης αγωγών. Αν χρησιμοποιήσετε μια συχνότητα εντοπισμού πομπού sonde για ανίχνευση αγωγών και το αντίστροφο, η ένδειξη βάθους που θα εμφανίζει το Scout μπορεί να είναι λανθασμένη.

3. Τώρα πατήστε το κουμπί λειτουργίας sonde/ίχνου/συχνότητας για να διατρέξετε τις ενεργές συχνότητες και λειτουργίες. Προσέχετε τα εικονίδια στην οθόνη για να βλέπετε σε ποια λειτουργία βρίσκεται το Scout.



4. Αν χρειάζεται να ρυθμίσετε το βάθος, τον αυτόματο φωτισμό ή την αντίθεση της οθόνης LCD, τονίστε την επιλογή στο μενού εργαλείων και πραγματοποιήστε τις αλλαγές με το κουμπί επιλογής.



5.1 Επιλογές των μενού

Συχνότητες λειτουργίας sonde		512 Hz 640 Hz 874 Hz 33 Hz
Συχνότητες λειτουργίας ανίχνευσης αγωγού		50 Hz (Παθητική) 60 Hz (Παθητική) 512 Hz 8 kHz 33 kHz

Μενού εργαλείων		Πόδια/μέτρα Αυτόματος φωτισμός οθόνης Αντίθεση οθόνης LCD
-----------------	--	---

5.2 Ήχοι του Scout

Ο ήχος σχετίζεται με την αυξομείωση της ισχύος του σήματος. Όταν αυξάνεται η ισχύς του σήματος, αυξάνεται και ο τόνος και η ένταση του ήχου, όταν μειώνεται η ισχύς του σήματος, ελαττώνεται και ο ήχος. Καθώς ενισχύεται το σήμα, αυξάνεται ο τόνος και η ένταση του ήχου, καθοδηγώντας το χειριστή στη μέγιστη ισχύ του σήματος. Αν πέσει η ισχύς του σήματος, ο ήχος επανέρχεται στο βασικό τόνο, σαν να μην ανιχνεύει κανένα σήμα.

Το Scout έχει αυτόματη ρύθμιση απολαβής. Όταν η απολαβή αυξάνεται ή ελαττώνεται κατά μία βαθμίδα, ο ήχος περνά σε υψηλότερη ή χαμηλότερη ένταση.

Για να ρυθμίσετε την ένταση του ήχου, πατήστε το κουμπί έντασης ήχου.



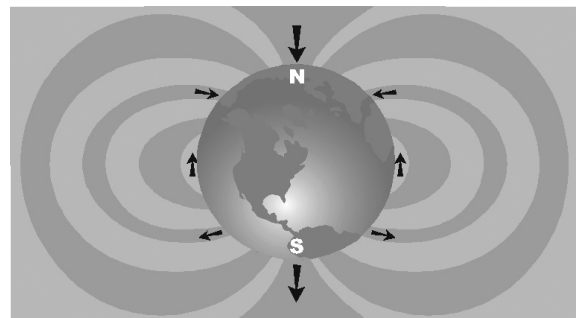
Ο ήχος αυξομειώνεται κάθε φορά που πατάτε το κουμπί έντασης ήχου. Εναλλακτικά, μπορείτε επίσης να ρυθμίσετε την ένταση του ήχου με το πάνω και το κάτω βέλος. Πατήστε το κουμπί επιλογής για να βγείτε από αυτή την οθόνη.



ΣΗΜΕΙΩΣΗ! Αν πατήστε το κουμπί επιλογής κατά την κανονική λειτουργία, ο ήχος ρυθμίζεται σε μεσαία ένταση.

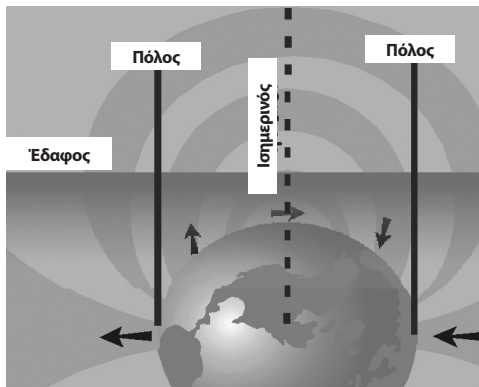
5.3 Επισκόπηση - Αρχή λειτουργίας των πομπών sonde και του Scout

Οι πομποί sonde (που ονομάζονται και ραδιοφάροι ή ενεργοί ανιχνευτές αγωγών) εκπέμπουν ένα ηλεκτρομαγνητικό πεδίο που μοιάζει πολύ με το μαγνητικό πεδίο της Γης.



Ουσιαστικά, εάν η Γη ήταν γυρισμένη στο πλάι, το μαγνητικό της πεδίο θα έμοιαζε πολύ με το μαγνητικό πεδίο ενός πομπού sonde.

Ως εντοπιστής, το Scout μπορεί να μετρήσει το σχήμα (κλίση) των γραμμών του πεδίου που εκπέμπει ο πομπός sonde και μπορεί να ξεχωρίσει τα επιμέρους χαρακτηριστικά αυτών των γραμμών. Τα τρία σημαντικά χαρακτηριστικά των ηλεκτρομαγνητικών πεδίων είναι οι **ΠΟΛΟΙ** και ο **ΙΣΗΜΕΡΙΝΟΣ**. Στους πόλους, η κλίση του σήματος είναι 90 μοίρες (κάθετα). Στον ισημερινό είναι 0 (οριζόντια). Οι πόλοι είναι διακριτά σημεία στο χώρο, ενώ ο ισημερινός περιβάλλει ολόκληρο τον πομπό sonde. Επειδή τα επιμέρους αυτά χαρακτηριστικά είναι σταθερά, μπορούν να χρησιμοποιηθούν για εντοπιστεί με ακρίβεια το στίγμα του πομπού sonde.



Οι πόλοι συνήθως βρίσκονται εκεί όπου οι συμβατικοί εντοπιστές ανιχνεύουν "μηδενικά σημεία", τα νεκρά σημεία που δημιουργούνται όταν το σήμα διέρχεται κάθετα από τις κεραίες του εντοπιστή. Η διαφορά είναι ότι το Scout μπορεί να "δει" τους πόλους ("μηδενικά σημεία") και να σας δείξει πού βρίσκονται, **ακόμα και όταν δεν βρίσκεστε ακριβώς από πάνω τους και ανεξάρτητα από τον προσανατολισμό που έχουν οι κεραίες του Scout ως προς το σήμα.**

Αυτός είναι ένας λόγος που ο εντοπισμός με το Scout είναι τόσο ευκολότερος απ' ό,τι με τους συμβατικούς εντοπιστές.

Ο πομπός sonde βρίσκεται στο σημείο όπου ο ισημερινός περνά απευθείας ανάμεσα στους δύο πόλους.


5.4 Εντοπισμός πομπού sonde

Το Scout μπορεί να χρησιμοποιηθεί για να εντοπίσει το σήμα ενός sonde (πομπού) σε έναν σωλήνα, ώστε να μπορεί να προσδιοριστεί η θέση του σωλήνα πάνω στο έδαφος. Οι πομποί sonde μπορούν να τοποθετηθούν στο προβληματικό σημείο του σωλήνα με μια κάμερα, ωστική ράβδο ή σπирάλ. Μπορούν επίσης να προωθηθούν μέσα στο σωλήνα υπό πίεση.

Οι ακόλουθες πληροφορίες προϋποθέτουν ότι ο πομπός sonde βρίσκεται μέσα σε οριζόντιο αγωγό, το έδαφος είναι πρακτικά επίπεδο και το Scout είναι τοποθετημένο έτσι, ώστε ο ιστός της κεραίας να είναι κατακόρυφος.

ΣΗΜΑΝΤΙΚΟ Η ισχύς του σήματος είναι η σημαντικότερη παράμετρος για να προσδιοριστεί η θέση του πομπού sonde. Για διασφαλιστεί η ακρίβεια του εντοπισμού, ΠΡΕΠΕΙ να έχετε εντοπίσει τη μέγιστη ισχύ σήματος πριν χαράξετε την περιοχή για εκσκαφή.

5.4.1 Για να εντοπίσετε ένα πομπό sonde οργανώστε τη διαδικασία εντοπισμού ως εξής:

- **Πριν** τοποθετήσετε το sonde μέσα στον αγωγό, χρησιμοποιήστε το Scout για να βεβαιωθείτε ότι το sonde λειτουργεί και ότι το Scout λαμβάνει το σήμα του.
- Μόλις ο πομπός sonde βρεθεί στη θέση που πρέπει και εκπέμπει, ενεργοποιήστε το sonde και ρυθμίστε το Scout στην ίδια συχνότητα με το sonde. Βεβαιωθείτε ότι εμφανίζεται το εικονίδιο για λειτουργία sonde .

⚠ ΠΡΟΕΙΔΟΠΟΙΗΣΗ

Βεβαιωθείτε ότι η συχνότητα που επιλέξατε αντιστοιχεί στην επιθυμητή εφαρμογή. Οι συχνότητες 512 και 33 μπορούν να χρησιμοποιηθούν και ως συχνότητες εντοπισμού πομπού sonde KAI ως συχνότητες ανίχνευσης αγωγών. Αν χρησιμοποιήσετε συχνότητα εντοπισμού πομπού sonde για ανίχνευση αγωγών και το αντίστροφο, η ένδειξη βάθους που θα εμφανίζει το Scout μπορεί να είναι λανθασμένη.

- Πηγαίστε στην πιθανολογούμενη θέση του πομπού sonde. Αν δεν γνωρίζετε την κατεύθυνση του αγωγού, προωθήστε αρχικά το sonde σε μικρότερη απόσταση μέσα στον αγωγό (5 μέτρα από το σημείο εισόδου είναι μια καλή αρχική απόσταση).

5.4.2 Μετά χρησιμοποιήστε μία από τις ακόλουθες μεθόδους για να εντοπίσετε τον πομπό sonde:

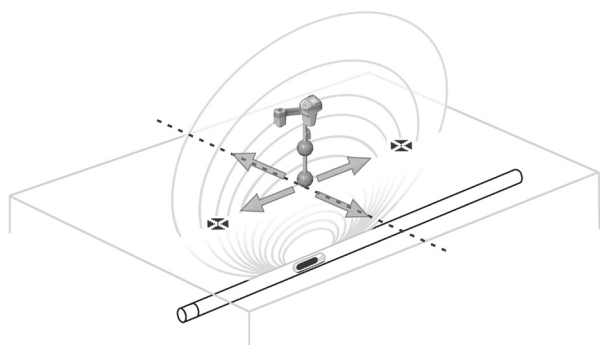
Μέθοδος 1 – Μεγιστοποίηση της ισχύος του σήματος

1. Κρατήστε το Scout με τέτοιο τρόπο έτσι ώστε ο ιστός της κεραίας να βρίσκεται μακριά από το σώμα σας. Κατευθύνετε τον ιστό της κεραίας προς την πιθανολογούμενη κατεύθυνση του sonde, παρατηρώντας ταυτόχρονα την ισχύ του σήματος και ακούγοντας τον ήχο. Το σήμα θα είναι ισχυρότερο όταν ο ιστός δείχνει προς το sonde.
2. Χαμηλώστε το Scout στην κανονική θέση λειτουργίας (ιστός κεραίας κάθετος) και περπατήστε προς την κατεύθυνση του πομπού sonde. Καθώς προσεγγίζετε, αυξάνεται η ισχύς του σήματος και ανεβαίνει ο τόνος και η ένταση του ήχου. Χρησιμοποιήστε τις ενδείξεις ισχύος του σήματος και τον ήχο για να **μεγιστοποιήσετε την ισχύ του σήματος.**



3. Μόλις εντοπιστεί η μέγιστη ισχύς του σήματος, τοποθετήστε το Scout κοντά στο έδαφος πάνω από την κορυφή και μετακινήστε το προς όλες τις κατευθύνσεις για να βεβαιωθείτε ότι πέφτει το σήμα.

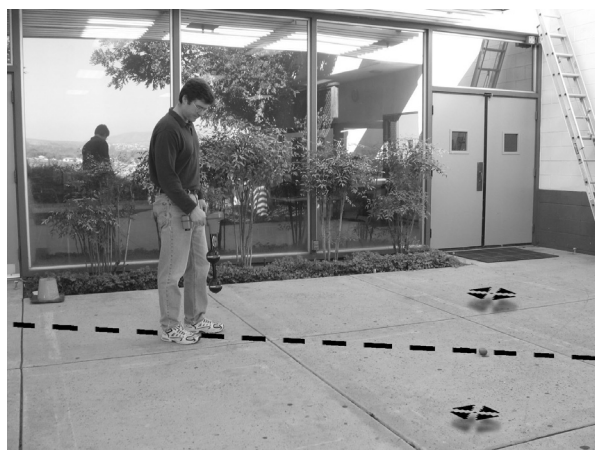
ΣΗΜΕΙΩΣΗ! Λάβετε υπόψη το υψηλότερο σήμα. Η γραμμή του ισημερινού μπορεί να βρίσκεται σε διαφορετική θέση από το υψηλότερο σήμα, αν ο πομπός sonde βρίσκεται σε κλίση (βλ. ενότητα για κεκλιμένο πομπό sonde).



Μέθοδος 2 – Ακολουθήστε τον ισημερινό - μετά μεγιστοποιήστε το σήμα

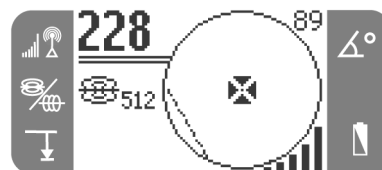
1. Αυτή η μέθοδος λειτουργεί καλύτερα σε ανοικτούς χώρους, χωρίς εμπόδια, **όπου ο πομπός sonde αναμένεται να είναι οριζόντιος**. Γυρίστε τον ιστό της κεραίας προς όλες τις κατευθύνσεις και μετά περπατήστε προς την κατεύθυνση μέγιστης ισχύος του σήματος, όπως στη μέθοδο 1.
2. Όταν το Scout εμφανίσει μια σταθερή γραμμή ισημερινού κεντραρισμένη στην οθόνη, ακολουθήστε τη προς την κατεύθυνση που αυξάνεται η ισχύς του σήματος. Μόλις φθάσετε στη μέγιστη ισχύ του σήματος, μετακινήστε το Scout κατά μήκος του ισημερινού **και προς όλες** τις κατευθύνσεις για να βεβαιωθείτε ότι έχει ανιχνεύσει την κορυφή του σήματος.

Αν ο πομπός sonde βρίσκεται υπό κλίση, βεβαιωθείτε ότι έχετε εντοπίσει το μέγιστο σήμα, διότι εκεί θα βρίσκεται το sonde.



Επαλήθευση του εντοπισμού.

1. Στο σημείο μέγιστης ισχύος του σήματος και με κάθετο τον ιστό της κεραίας, μετακινήστε το Scout κάθετα προς τη γραμμή του ισημερινού στην οθόνη. Μόλις εμφανιστεί το εικονίδιο του πόλου, μετακινήστε το Scout μέχρι να κεντραριστεί το εικονίδιο του πόλου στο σταυρόσημο, κρατώντας **τη σφαίρα της κάτω κεραίας** στο έδαφος. Τοποθετήστε έναν από τους πορτοκαλί τριγωνικούς σημαντήρες σε αυτό το σημείο στο έδαφος.



Η οθόνη όταν το Scout βρίσκεται πάνω από τον πόλο.

2. Μετακινήστε το Scout προς τα πίσω, κάθετα στη γραμμή του ισημερινού, προς τον άλλο πόλο. Κεντράρετε το σταυρόσημο στο δεύτερο εικονίδιο του πόλου και σημειώστε τη θέση του όπως προηγουμένως.
3. Επιστρέψτε στο σημείο **μέγιστης ισχύος σήματος**. Επισημάνετε αυτό το σημείο στο έδαφος με τον κίτρινο εξάγωνο σημαντήρα. Απομακρύνετε αργά την κάτω σφαίρα της κεραίας από τον κίτρινο σημαντήρα προς όλες τις κατευθύνσεις, παρατηρώντας ταυτόχρονα την ένδειξη ισχύος του σήματος. Η ισχύς του σήματος πρέπει να είναι ισχυρότερη ακριβώς πάνω από τον πομπό sonde.
4. Βεβαιωθείτε ότι και οι τρεις σημαντήρες βρίσκονται στην ίδια ευθεία και ότι ο κίτρινος εξάγωνος σημαντήρας βρίσκεται περίπου στο μέσον ανάμεσα στους σημαντήρες των πόλων.

Αν ο κίτρινος σημαντήρας δεν βρίσκεται στο μέσον, ανατρέξτε στην ενότητα για κεκλιμένους πομπούς sonde.

ΣΗΜΑΝΤΙΚΟ Ο εντοπισμός του ισημερινού ΔΕΝ σημαίνει ότι βρίσκεστε πάνω από τον πομπό sonde! Να θυμάστε ότι η ισχύς του σήματος είναι το βασικό κριτήριο για τον εντοπισμό του πομπού sonde. Πρέπει να βρίσκεστε στο σημείο μέγιστης ισχύος του σήματος. Για μεγαλύτερη ακρίβεια, χρησιμοποιήστε το αλφάδι. Ο ιστός της κεραίας ΠΡΕΠΕΙ να είναι κάθετος όταν σημειώνετε τους πόλους και τον ισημερινό, αλλιώς η θέση τους δεν θα είναι ακριβής.

5.5 Μέτρηση του βάθους

Το Scout υπολογίζει το βάθος συγκρίνοντας την ισχύ του σήματος που λαμβάνει η κάτω κεραία με την ισχύ του σήματος που λαμβάνει η πάνω κεραία.

Το βάθος μετράται όταν η κάτω κεραία αγγίζει το έδαφος ακριβώς πάνω από την πηγή του σήματος.

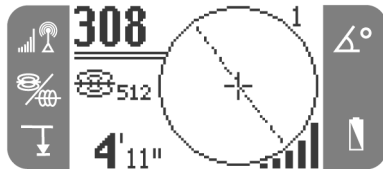
1. Για να μετρήσετε το βάθος, τοποθετήστε τον εντοπιστή στο έδαφος, ακριβώς πάνω από τον πομπό sonde ή τον αγωγό. Βεβαιωθείτε ότι η ένδειξη κλίσης δείχνει 5 μοίρες ή λιγότερο. Μετά, περιστρέψτε αργά τη μονάδα προς την κατεύθυνση του βέλους που εμφανίζεται **κάτω αριστερά** στην οθόνη μέχρι να εμφανιστεί το βάθος.



Το αλφάδι είναι χρήσιμο κατά τη μέτρηση του βάθους, για να είναι βέβαιο ότι ο ιστός της κεραίας είναι κάθετος.

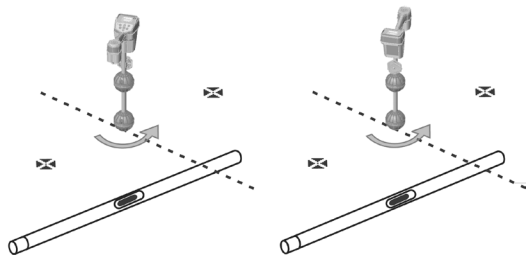
Για να μεγιστοποιήσετε το σήμα και να πάρετε ακριβέστερη ένδειξη βάθους, πρέπει να περιστρέψετε το Scout και να ευθυγραμμίσετε την κεραία με το σήμα.

2. Το βάθος θα εμφανιστεί στην κάτω αριστερή γωνία της οθόνης.



3. **Χειροκίνητη μέτρηση βάθους** - Αν η ένδειξη κλίσης είναι μεγαλύτερη από 5 μοίρες, το Scout δεν δίνει ένδειξη βάθους. Πατήστε το κάτω βέλος και κρατήστε το πατημένο. Με τον τρόπο αυτό θα γίνει εξαναγκασμένη μέτρηση του βάθους, εφόσον το βάθος μπορεί να μετρηθεί (βλ. επόμενη ενότητα για κεκλιμένους πομπούς sonde).

Όταν ελέγχετε το βάθος, να παίρνετε πάντα μία μέτρηση και μετά να περιστρέψετε το Scout κατά 180 μοίρες (1/2 κύκλο) και να παίρνετε άλλη μία μέτρηση βάθους. Βεβαιωθείτε ότι η κάτω σφαίρα παραμένει στην ίδια θέση πάνω στο έδαφος και ότι ο ιστός είναι κάθετος. Αν η διαφορά μεταξύ των μετρήσεων βάθους είναι μεγαλύτερη από 10%, τότε υπάρχει παραμόρφωση και η μέτρηση βάθους είναι αμφίβολη.



5.6 Συμβουλές για τον εντοπισμό πομπών sonde

- Χρησιμοποιείτε τον ήχο, όποτε είναι δυνατόν, για να οδηγήσετε το Scout στη μέγιστη ισχύ του σήματος.
- Αν περάσετε κάθετα από τον ισημερινό και δεν μεγιστοποιηθεί το σήμα, ακολουθήστε τον ισημερινό μέχρι τη μέγιστη ισχύ του σήματος. Ο εντοπισμός του ισημερινού του πομπού sonde (διακεκομμένη γραμμή στην οθόνη) ΔΕΝ σημαίνει ότι έχετε εντοπίσει και το sonde. Πρέπει να βρείτε και το σημείο μέγιστης ισχύος του σήματος. Αν ο πομπός sonde βρίσκεται σε απότομη κλίση, ο ισημερινός ΔΕΝ θα βρίσκεται ακριβώς πάνω από το sonde και η απόσταση ανάμεσα στο sonde και κάθε πόλο δεν θα είναι ίση. Αν ο πομπός sonde είναι κεκλιμένος, εντοπίστε τη μέγιστη ισχύ του σήματος.
- Να επαληθεύετε πάντα το σημείο μέγιστης ισχύος του σήματος. Επαληθεύστε αυτό που δείχνει ο χάρτης, εκτός εάν είναι βέβαιο ότι πληρούνται όλες οι απαιτούμενες προϋποθέσεις. Η απεικόνιση στο χάρτη προϋποθέτει ότι ισχύουν οι ακόλουθες προϋποθέσεις:
 1. Το έδαφος είναι επίπεδο.
 2. Ο πομπός sonde βρίσκεται σε οριζόντιο επίπεδο
 3. Ο εντοπιστής Scout βρίσκεται πάνω από το επίπεδο του εδάφους.
 4. Ο χειριστής κρατά τον εντοπιστή Scout σχεδόν κάθετα και ο ιστός της κεραίας βλέπει ευθεία προς τα κάτω.

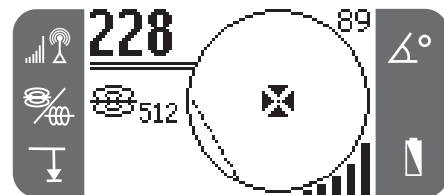
Αν δεν πληρούνται αυτές οι προϋποθέσεις, ελέγχετε πολύ προσεκτικά την οθόνη για μεγιστοποίηση του σήματος. Γενικά, εάν ισχύουν οι παραπάνω προϋποθέσεις και εάν το Scout βρίσκεται σε ακτίνα ίση με περίπου δύο φορές το βάθος της πηγής του σήματος, ο χάρτης θα είναι χρήσιμος και ακριβής. Προσέχετε αυτή τη λεπτομέρεια όταν χρησιμοποιείτε το χάρτη, αν ο στόχος ή η πηγή του σήματος βρίσκονται σε μικρό βάθος. Η ωφέλιμη περιοχή ανίχνευσης στο χάρτη μπορεί να είναι πολύ μικρή, αν ο πομπός sonde βρίσκεται πολύ κοντά στην επιφάνεια.

5.7 Κεκλιμένοι πομποί sonde

Αν ο πομπός sonde είναι κεκλιμένος, ο ένας πόλος θα βρίσκεται πλησιέστερα στο sonde και ο άλλος μακρύτερα. Επομένως, η θέση του πομπού sonde δεν θα βρίσκεται πλέον στο μέσον της απόστασης μεταξύ των δύο πόλων. Στην περίπτωση αυτή, η ισχύς του σήματος από τον πλησιέστερο πόλο είναι πολύ μεγαλύτερη από την ισχύ του σήματος από τον μακρύτερο πόλο. Αν ο πομπός sonde είναι σχεδόν κάθετος, ο ένας πόλος μετατοπίζεται ακριβώς πάνω από το sonde και αντιστοιχεί επίσης στο σημείο μέγιστης ισχύος του σήματος. Ο άλλος πόλος δεν φαίνεται.

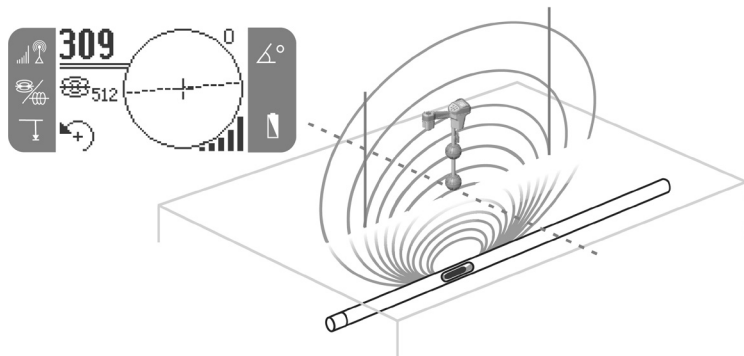
Συνεπώς, ακόμα κι αν ο πομπός sonde είναι κάθετος, όπως θα μπορούσε να είναι αν πέσει μέσα σε κάποια ρωγμή στον αγωγό ή σε υπόγεια δεξαμενή, μπορεί και σε αυτή την περίπτωση να εντοπιστεί.

Όταν ο πομπός sonde είναι κάθετος, στην οθόνη διακρίνεται ένας πόλος με μέγιστη ισχύ σήματος.

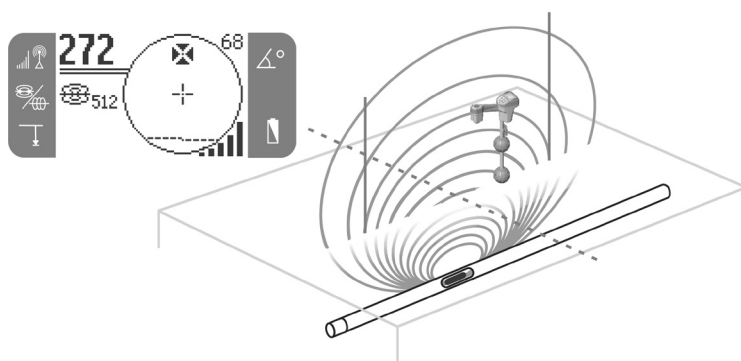


Οι πολυκατευθυντικές κεραίες επιτρέπουν τη μέτρηση του βάθους ακόμα και όταν ο πομπός sonde είναι κάθετος. Σε αυτή την περίπτωση, το βάθος πρέπει να μετρηθεί χειροκίνητα (βλ. Μέτρηση βάθους).

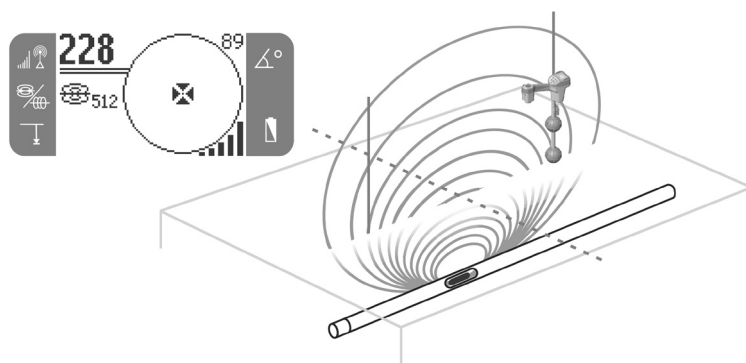
Μικροχάρτης - Παραδείγματα – Λειτουργία sonde



Το Scout πάνω από τον ισημερινό



Το Scout απομακρύνεται από τον ισημερινό και πλησιάζει τον πόλο



Το Scout πάνω από τον πόλο

6. Ανίχνευση αγωγού με το Scout

Το Scout μπορεί επίσης να χρησιμοποιηθεί για την ανίχνευση ενός σωλήνα ή ενός αγωγού ώστε να σημειωθεί η θέση του πάνω στο έδαφος. Έτσι επισημαίνεται η θέση του αγωγού ώστε να αποφευχθεί σε περίπτωση εκσκαφής ή να αποκαλυφθεί για επισκευή ή αντικατάσταση. Το Scout μπορεί να εντοπίσει αγωγούς που έχουν ενεργοποιηθεί με διάφορες συχνότητες ή μπορεί να χρησιμοποιηθεί παθητικά για να σαρώσει την περιοχή ώστε να εντοπίσει κάθε αγωγό μεγάλου μήκους που εκπέμπει σήμα.

Οι υπόγειοι αγωγοί ενεργοποιούνται με πομπό αγωγών. Στη συνέχεια, το ενεργό σήμα ανιχνεύεται από έναν δέκτη όπως είναι το Scout.

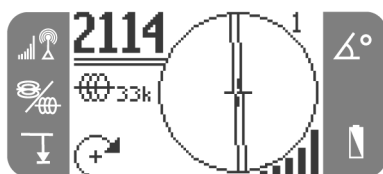
1. Συνδέστε τον πομπό στον αγωγό σύμφωνα με τις οδηγίες του κατασκευαστή.

"Πομπός" είναι μια γενική ονομασία για οτιδήποτε δημιουργεί ανιχνεύσιμο σήμα. Μπορεί να είναι ένας πομπός sonde, αλλά και η συσκευή που χρησιμοποιείται για να ενεργοποιήσει έναν αγωγό ή μια σωλήνωση.

2. Ρυθμίστε τη συχνότητα του Scout στη συχνότητα του πομπού. Βεβαιωθείτε ότι εμφανίζεται το εικονίδιο ανίχνευσης αγωγού ~. Πατήστε το κουμπί του κύριου μενού για να επιστρέψετε στην οθόνη εντοπισμού.



3. Στην αρχή της ανίχνευσης, συνιστούμε να παρατηρήσετε πρώτα την ισχύ του σήματος για να βεβαιωθείτε ότι πέφτει όταν απομακρύνετε το Scout. Στρέψτε τον ιστό της κεραίας προς τα καλώδια ή προς τον ίδιο τον πομπό αν χρησιμοποιείται η επαγωγική λειτουργία. Το σήμα πρέπει να μεγιστοποιείται πάνω από τον αγωγό και να πέφτει προς τη μία ή την άλλη πλευρά. Αν η ισχύς του σήματος και οι γραμμές στην οθόνη ΔΕΝ συμφωνούν, τότε το σήμα μπορεί να είναι παραμορφωμένο.
4. Κατά την ανίχνευση, η κατεύθυνση προς την οποία εκτείνεται ο αγωγός ή το καλώδιο απεικονίζεται στην οθόνη με 2 συνεχόμενες γραμμές. Όταν οι γραμμές παραμένουν στο κέντρο, σημαίνει ότι το Scout ανιχνεύει τον υπόγειο αγωγό. Αν γραμμή μετακινηθεί προς τα αριστερά ή προς τα δεξιά, μετακινήστε το Scout ώστε η γραμμή να ξαναβρεθεί στο κέντρο. Το σήμα που εκπέμπει ο αγωγός είναι ισχυρότερο ακριβώς πάνω από τον αγωγό. Αν δεν συμβαίνει αυτό, τότε υπάρχει παραμόρφωση.



ΣΗΜΕΙΩΣΗ! Όταν χρησιμοποιείτε συχνότητα ανίχνευσης αγωγού, υπάρχουν δύο γραμμές στην οθόνη. Όταν χρησιμοποιείτε συχνότητα για εντοπισμό πομπού sonde, ο ισθεμερικός απεικονίζεται ως μία γραμμή.

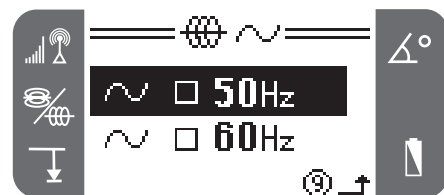
ΠΡΟΣΟΧΗ Ελέγχετε για παρεμβολές του σήματος που μπορεί να δώσουν ανακριβείς ενδείξεις. Οι ενδείξεις βάθους δείχνουν το βάθος κατά προσέγγιση. Το πραγματικό βάθος πρέπει να επαληθεύεται, αποκαλύπτοντας τον αγωγό πριν από την εκσκαφή.

5. Στην αρχή της ανίχνευσης, συνιστούμε να παρατηρήσετε πρώτα την ισχύ του σήματος για να βεβαιωθείτε ότι πέφτει όταν απομακρύνετε το Scout. Στρέψτε τον ιστό της κεραίας προς τα καλώδια ή προς τον ίδιο τον πομπό αν χρησιμοποιείται η επαγωγική λειτουργία. Το σήμα πρέπει να μεγιστοποιείται πάνω από τον αγωγό και να πέφτει προς τη μία ή την άλλη πλευρά. Αν η ισχύς του σήματος και οι γραμμές στην οθόνη ΔΕΝ συμφωνούν, τότε το σήμα μπορεί να είναι παραμορφωμένο.

6.1 Παθητική ανίχνευση αγωγού AC

Στην παθητική λειτουργία, το Scout ανιχνεύει πεδία εναλλασσόμενου ρεύματος ή AC. Τα υπόγεια ηλεκτροφόρα καλώδια κανονικά δεν εκπέμπουν ανιχνεύσιμο σήμα, εκτός εάν διέρχεται ρεύμα από τα καλώδια. Για παράδειγμα, όταν οι φανοστάτες του δρόμου είναι σβηστοί, είναι δύσκολο να ανιχνευθούν τα καλώδια που τους τροφοδοτούν.

1. Επιλέξτε μια συχνότητα παθητικής ανίχνευσης AC με το εικονίδιο παθητικής ανίχνευσης αγωγού ~.
2. Το Scout έχει δύο (2) τυπικές συχνότητες παθητικής ανίχνευσης AC. Είναι οι συχνότητες 50 Hz και 60 Hz.



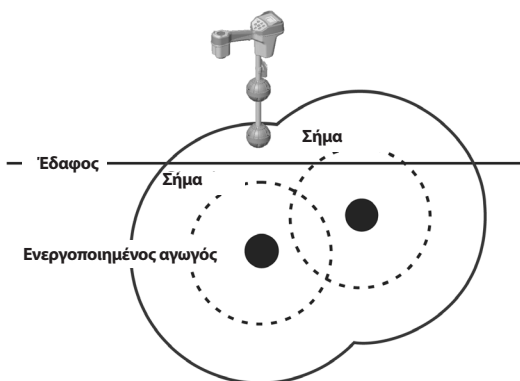
6.2 Συμβουλές για την ανίχνευση αγωγών

- **Αν οι γραμμές δεν είναι κεντραρισμένες στο χάρτη, αλλά η ισχύς του σήματος είναι μέγιστη, υπάρχει παραμόρφωση!**
 - α. Δοκιμάστε να επιλέξετε χαμηλότερη συχνότητα.
 - β. Απομακρύνετε τη ράβδο γείωσης από τον ανιχνευόμενο αγωγό.
 - γ. Βεβαιωθείτε ότι ο αγωγός δεν είναι ηλεκτρικά συνδεδεμένος με άλλο αγωγό.
- Αν δεν μπορείτε να κεντράρετε τις γραμμές ή αν μετακινούνται ακανόνιστα στην οθόνη, τότε το Scout μπορεί να μην λαμβάνει καθαρό σήμα.
 - α. Ελέγξτε τον πομπό για να βεβαιωθείτε ότι λειτουργεί και είναι γειωμένος σωστά.
 - β. Ελέγξτε το κύκλωμα γυρνώντας την κάτω κεραία προς το ένα ή το άλλο καλώδιο του πομπού.
 - γ. Βεβαιωθείτε ότι το Scout και ο πομπός λειτουργούν στην ίδια συχνότητα.
 - δ. Δοκιμάστε διάφορες συχνότητες, ξεκινώντας από τη χαμηλότερη, μέχρι να επιτύχετε αξιόπιστη λήψη σήματος από τον αγωγό.
- Το ηλεκτρικό ρεύμα διέρχεται ευκολότερα από τους μικρότερους προς τους μεγαλύτερους (μικρότερης αντίστασης) αγωγούς. Ένα παράδειγμα είναι η ανίχνευση αγωγού από το σπίτι στο δρόμο.
- Κατά την ανίχνευση, το σήμα θα πρέπει να μεγιστοποιηθεί και το βάθος να ελαχιστοποιηθεί στο σημείο όπου οι γραμμές κεντράρονται στην οθόνη. Αν δεν συμβαίνει αυτό, ο αγωγός μπορεί να έχει στρίψει ή να υπάρχει σύζευξη με σήματα από άλλους αγωγούς.

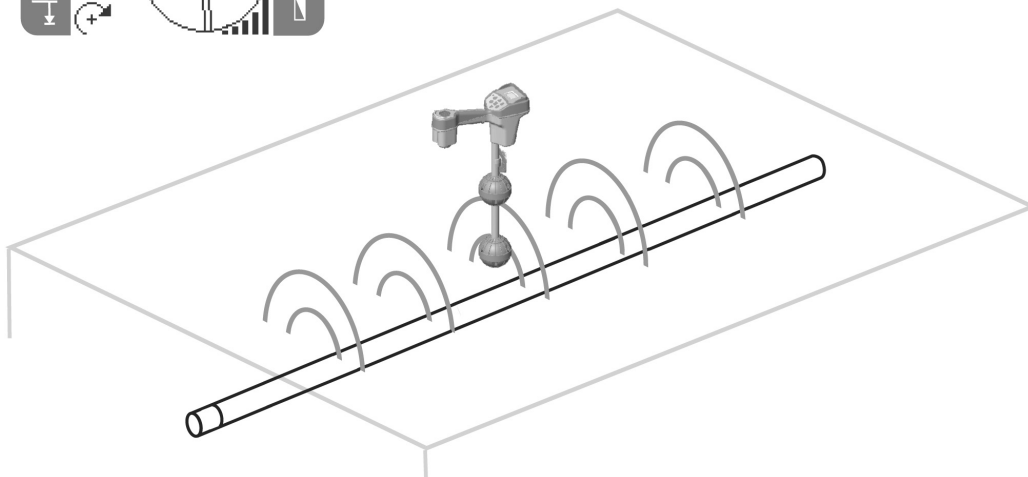
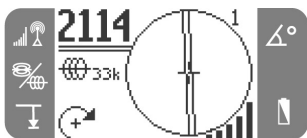
- Οι υψηλές συχνότητες εκτρέπονται πιο εύκολα, όμως μπορεί να είναι αναγκαίες για να υπερπηδήσουν ασυνέχειες του αγωγού ή μονωτικούς συνδέσμους.
- Όταν χρησιμοποιείτε την επαγωγική λειτουργία του πομπού, φροντίστε να ξεκινήσετε την ανίχνευση περίπου 10 / 15 μέτρα μακριά, ώστε να αποφύγετε "σύζευξη μέσω του αέρα". Αυτό συμβαίνει όταν το Scout λαμβάνει το σήμα απευθείας από τον πομπό και όχι από τον ανιχνευόμενο αγωγό.

Αν η γραμμές δεν κεντράρονται ή μετακινούνται ακανόνιστα μέσα στην οθόνη, τότε ίσως το Scout δεν λαμβάνει καθαρό σήμα.

- α. Το έδαφος είναι επίπεδο.
 - β. Ο αγωγός βρίσκεται σε οριζόντιο επίπεδο.
 - γ. Ο εντοπιστής Scout βρίσκεται πάνω από το επίπεδο του εδάφους.
 - δ. Ο ιστός της κεραίας του Scout παραμένει σχεδόν κάθετος.
- Αν δεν πληρούνται αυτές οι προϋποθέσεις, ελέγχετε πολύ προσεκτικά την οθόνη για μεγιστοποίηση του σήματος. Γενικά, εάν το Scout βρίσκεται σε ακτίνα ίση με περίπου δύο φορές το βάθος του αγωγού, ο χάρτης θα είναι χρήσιμος και ακριβής. Προσέχετε αυτή τη λεπτομέρεια όταν χρησιμοποιείτε το μικροχάρτη, αν ο στόχος ή αγωγός βρίσκονται σε μικρό βάθος. Η ωφέλιμη περιοχή ανίχνευσης στο μικροχάρτη μπορεί να είναι πολύ μικρή. αν ο ανωνός βρίσκεται πολύ κοντά στην επιφάνεια.



Μικροχάρτης - Παράδειγμα - Ανίχνευση αγωγού



7. Μενού εργαλείων

7.1 Αλλαγή μονάδων μέτρησης βάθους

Μπορείτε να αλλάξετε τις μονάδες μέτρησης βάθους στο Scout σε πόδια ή μέτρα. Για να αλλάξετε αυτές τις ρυθμίσεις, απλώς τονίστε το εικονίδιο βάθους στο μενού εργαλείων και μετά πατήστε το κουμπί επιλογής για να αλλάξετε τις μονάδες από πόδια σε μέτρα ή το αντίστροφο.



7.2 Αυτόματος φωτισμός οθόνης

Ο αισθητήρας χαμηλού φωτισμού που είναι ενσωματωμένος στην πάνω αριστερή γωνία του πίνακα ελέγχου ανιχνεύει τα επίπεδα φωτισμού του περιβάλλοντος. Μπορείτε να ανάψετε χειροκίνητα το φωτισμό της οθόνης, μπλοκάροντας το φως από αυτόν τον αισθητήρα με τον αντίχειρά σας.

Ο αυτόματος φωτισμός της οθόνης LCD είναι ρυθμισμένος από το εργοστάσιο ώστε να ανάβει σε σχετικά σκοτεινές συνθήκες. Αυτό γίνεται για εξοικονόμηση της μπαταρίας. Όσο αδειάζουν οι μπαταρίες, η οθόνη φωτίζεται λιγότερο. Όταν οι μπαταρίες κοντεύουν να αδειάσουν, ο φωτισμός της οθόνης χαμηλώνει πολύ για εξοικονόμηση της μπαταρίας.

Για να σβήσετε το φωτισμό της οθόνης, τονίστε το εικονίδιο του λαμπτήρα στο μενού εργαλείων και πατήστε το κουμπί επιλογής για να περάσετε από την επιλογή Auto στην επιλογή OFF και αντίστροφα.



7.2.1 Αντίθεση οθόνης LCD

Αν τονίσετε και επιλέξετε αυτό το εικονίδιο, μπορείτε να ρυθμίσετε την αντίθεση της οθόνης LCD με το πάνω και το κάτω βέλος.



8. Χρήσιμες πληροφορίες

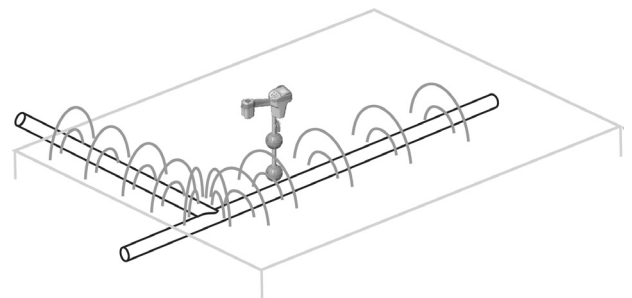
8.1 Παρεμβολή σήματος

8.1.1 Παραμόρφωση πεδίου

Μερικές φορές, μπορεί να υπάρχουν μεταλλικά ή άλλα σιδηρούχα υλικά μέσα στο πεδίο, τα οποία παραμορφώνουν τις γραμμές του πεδίου. Μπορεί να είναι κάποιος άλλος αγωγός κοινής ωφέλειας, θαμμένα παλιοσίδηρα ή παλιοί αγωγοί που δεν χρησιμοποιούνται πλέον, τα οποία δημιουργούν διακλαδώσεις ή κονταίνουν τις γραμμές του πεδίου. Σε αυτή την περίπτωση, το Scout μπορεί να εμφανίζει ασθενέστερο σήμα γύρω από το αντικείμενο και ισχυρότερο σήμα ακριβώς από πάνω του. Το αντικείμενο μπορεί να λειτουργεί ως φακός που ενισχύει ή εξασθενεί το σήμα απρόβλεπτα.

8.1.2 Σύνθετα πεδία

Μπορεί επίσης να συναντήσετε σύνθετα πεδία. Όταν ένα πεδίο συναντά ένα άλλο, τα δύο ή περισσότερα πεδία μπορεί να δημιουργήσουν ισχυρότερο σήμα. Είναι σημαντικό να έχει κατανοήσει ο χειριστής αυτό το ενδεχόμενο, ιδιαίτερα κοντά σε διακλαδώσεις ή ορθές γωνίες του αγωγού, όπου συχνά συναντώνται σύνθετα πεδία.



Σύνθετο πεδίο γύρω από μια σύνδεση του αγωγού.

8.1.3 Θόρυβος

Τα παρεμβαλλόμενα σήματα (θόρυβος) είναι δεδομένα σε κάθε εργασία εντοπισμού. Παρεμβολές μπορεί να υπάρχουν είτε στη συχνότητα που χρησιμοποιείται είτε "εκτός ζώνης συχνότητας" σε άλλες συχνότητες. Τα μηχανήματα μετάδοσης ισχύος δημιουργούν από τα ισχυρότερα σήματα παρεμβολής. Οι μετασχηματιστές ισχύος, οι μεγάλοι ηλεκτροκινητήρες ή οι γεννήτριες και οι αγωγοί μπορεί να δημιουργούν πολύ ισχυρά σήματα θορύβου. Οι περιοχές με υψηλό θόρυβο πρέπει να αποφεύγονται, εάν είναι δυνατόν.

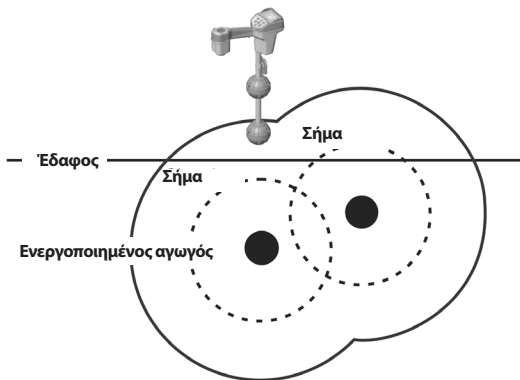
Αν η ένδειξη κλίσης είναι ασταθής και/ή εάν το σήμα είναι επίσης ασταθές, αυτό είναι ισχυρή ένδειξη είτε ότι δεν υπάρχει σήμα-στόχος (από τον πομπό sonde ή τον ενεργοποιημένο αγωγό) είτε ότι υπάρχουν υψηλά επίπεδα θορύβου.

8.2 Σημειώσεις όσον αφορά την ακρίβεια

Για να είναι αξιόπιστες οι μετρήσεις βάθους και σήματος, το Scout πρέπει να λαμβάνει ισχυρό σήμα. Να θυμάστε ότι το Scout χρησιμοποιείται πάνω από την επιφάνεια του εδάφους για να ανιχνεύει τα ηλεκτρομαγνητικά πεδία που δημιουργούν υπόγειοι αγωγοί (ηλεκτρικοί αγωγοί, όπως μεταλλικά καλώδια και σωλήνες) ή πομποί sonde (ενεργητικοί πομποί). Όταν τα πεδία είναι απλά και χωρίς παραμορφώσεις, τότε τα ανιχνευόμενα πεδία είναι αντιπροσωπευτικά του υπόγειου αντικειμένου.

Εάν αυτά τα πεδία είναι παραμορφωμένα και όταν υπάρχουν πολλά αλληλεπιδρώντα πεδία, το Scout δεν θα εντοπίσει το αντικείμενο με ακρίβεια. Η διαδικασία εντοπισμού δεν είναι ακριβής επιστήμη. Ο χειριστής πρέπει να χρησιμοποιεί την κρίση του και να λαμβάνει υπόψη όλες τις διαθέσιμες πληροφορίες πέρα από τις ενδείξεις του εργαλείου. Το Scout δίνει στο χειριστή περισσότερες πληροφορίες, αλλά η σωστή ερμηνεία αυτών των πληροφοριών εναπόκειται στο χειριστή. Κανένας κατασκευαστής συσκευών εντοπισμού δεν ισχυρίζεται ότι ο χειριστής πρέπει να στηρίζεται αποκλειστικά και μόνο στις πληροφορίες που παρέχει το εργαλείο. Συνθήκες όπου η ακρίβεια εντοπισμού είναι αμφίβολη:

- **Όταν υπάρχουν άλλες γραμμές ή αγωγοί κοινής ωφέλειας.**
Η εκτροπή του σήματος σε άλλο αγωγό ενδέχεται να προκαλέσει παραμορφωμένα πεδία και ακούσια φόρτιση άλλων γραμμών ή σωλήνων. Χρησιμοποιήστε χαμηλότερη συχνότητα, εάν είναι δυνατόν, και καταργήστε κάθε σύνδεση ανάμεσα στις δύο γραμμές.



- **Κατά την επαγωγική χρήση του πομπού.** Στην περίπτωση αυτή, ο αγωγός έχει ασθενές σήμα. Χρησιμοποιήστε απευθείας σύνδεση, εάν είναι δυνατόν.
- **Όταν υπάρχουν ται ή διακλαδώσεις στον αγωγό.** Μπορεί να προκαλέσουν παραμόρφωση του σήματος.
- **Όταν η ισχύς του σήματος είναι χαμηλή.** Για ακριβή εντοπισμό πρέπει να υπάρχει ισχυρό σήμα.
- **Όταν οι συνθήκες του εδάφους ποικίλουν.** Η μεγάλη ξηρασία ή η υπερβολική υγρασία ενδέχεται να επηρεάσουν τις μετρήσεις. Για παράδειγμα, αν το έδαφος έχει διαβραχεί με αλμυρό νερό, όπως συμβαίνει κοντά σε ακτές, το σήμα καλύπτεται σημαντικά και είναι πολύ δύσκολο να εντοπιστεί.

9. Μεταφορά και φύλαξη

Πριν από τη μεταφορά, βεβαιωθείτε ότι έχετε σβήσει τη μονάδα, ώστε να μην εξαντληθεί η μπαταρία. Κατά τη μεταφορά, βεβαιωθείτε ότι η μονάδα είναι στερεωμένη καλά και δεν αναπηδά ούτε χτυπά πάνω σε άλλα αντικείμενα. Το Scout πρέπει να φυλάσσεται σε δροσερό και ξηρό χώρο.

Αν πρόκειται να φυλάξετε το Scout για μεγάλο χρονικό διάστημα, πρέπει να αφαιρέσετε τις μπαταρίες

10. Τοποθέτηση/Χρήση βοηθητικών εξαρτημάτων

Το Scout διατίθεται με σημαντήρες που μπορούν να χρησιμοποιηθούν για να σημανθεί η θέση των πόλων ή του πομπού sonde πάνω στο έδαφος. Υπάρχουν δύο (2) κόκκινοι σημαντήρες για την επισήμανση των πόλων και ένας (1) κίτρινος σημαντήρας για την επισήμανση του πομπού sonde. Για μεγαλύτερη βοήθεια, επικοινωνήστε με τον διανομέα ή τον αντιπρόσωπο της RIDGID.

11. Συντήρηση και καθαρισμός

⚠ ΠΡΟΕΙΔΟΠΟΙΗΣΗ

1. Διατηρείτε το Scout καθαρό, χρησιμοποιώντας ένα βρεγμένο πανί και ήπιο απορρυπαντικό. Μην το βυθίζετε σε νερό.
2. Κατά τον καθαρισμό, μην χρησιμοποιείτε αποξεστικά εργαλεία ή διαβρωτικές ουσίες, διότι μπορεί να χαράξουν μόνιμα την οθόνη. ΜΗΝ ΧΡΗΣΙΜΟΠΟΙΕΙΤΕ ΠΟΤΕ ΔΙΑΛΥΤΙΚΑ για να καθαρίσετε οποιοδήποτε τμήμα του συστήματος. Ουσίες όπως το ασετόν ή άλλες ισχυρές χημικές ουσίες ενδέχεται να προκαλέσουν ρωγμές στο περίβλημα.

12. Εντοπισμός ελαττωματικών εξαρτημάτων

Για συμβουλές αντιμετώπισης προβλημάτων, ανατρέξτε στον Οδηγό Αντιμετώπισης Προβλημάτων στο τέλος του εγχειριδίου. Εάν χρειάζεται, επικοινωνήστε με την Ridge Tool ή με τον αντιπρόσωπο για περισσότερες πληροφορίες και βοήθεια.

13. Σέρβις και επισκευή

⚠ ΠΡΟΕΙΔΟΠΟΙΗΣΗ

Το εργαλείο πρέπει να αποστέλλεται στο Ανεξάρτητο Εξουσιοδοτημένο Κέντρο Σέρβις της RIDGID.

14. Οδηγός αντιμετώπισης προβλημάτων

ΠΡΟΒΛΗΜΑ	ΠΙΘΑΝΗ ΑΙΤΙΑ ΒΛΑΒΗΣ
Το Scout κλειδώνει κατά τη χρήση.	Σβήστε και ενεργοποιήστε ξανά τη μονάδα. Αν η μονάδα δεν σβήνει, βγάλτε τις μπαταρίες.
Κατά την ανίχνευση αγωγού, οι γραμμές “αναπηδούν” σε όλη την επιφάνεια του μικροχάρτη στην οθόνη.	Αυτό σημαίνει ότι το Scout δεν λαμβάνει το σήμα ή ότι υπάρχουν παρεμβολές.
	Βεβαιωθείτε ότι ο πομπός έχει συνδεθεί και γειωθεί κατάλληλα. Γυρίστε το Scout προς το ένα και μετά προς το άλλο καλώδιο, για να βεβαιωθείτε ότι το κύκλωμα είναι ολοκληρωμένο.
	Δοκιμάστε υψηλότερη συχνότητα.
	Προσπαθήστε να εντοπίσετε την πηγή του θορύβου και εξουδετερώστε τη.
Κατά τον εντοπισμό πομπού sonde, οι γραμμές “αναπηδούν” σε όλη την οθόνη.	Ελέγξτε τις μπαταρίες του πομπού sonde για να δείτε αν λειτουργούν.
	Επαληθεύστε το σήμα τοποθετώντας την κάτω κεραία κοντά στον πομπό sonde. Σημείωση – Το σήμα του sonde δύσκολα διαπερνά τα τοιχώματα αγωγών από χυτοσίδηρο.
Η απόσταση ανάμεσα στο sonde και τους δύο πόλους δεν είναι ίση.	Το sonde μπορεί να είναι κεκλιμένο ή μπορεί στο συγκεκριμένο σημείο του αγωγού να υπάρχει συμβολή χυτοσιδήρου με πλαστικό.
Η μονάδα αντιδρά ασυνάρτητα, δεν απενεργοποιείται.	Μπορεί να έχουν πέσει οι μπαταρίες. Τοποθετήστε καινούριες μπαταρίες και ενεργοποιήστε τη μονάδα.
Η οθόνη είναι τελείως σκοτεινή ή τελείως φωτεινή όταν ενεργοποιείται η μονάδα.	Δοκιμάστε να σβήσετε και να ενεργοποιήσετε ξανά τη μονάδα.
	Ρυθμίστε την αντίθεση της οθόνης LCD.
Δεν υπάρχει ήχος.	Ρυθμίστε την ένταση του ήχου από το μενού ήχου.
Το Scout δεν λαμβάνει σήμα.	Ελέγξτε αν έχει ρυθμιστεί η σωστή λειτουργία και συχνότητα.
Το Scout δεν ανάβει.	Ελέγξτε την πολικότητα των μπαταριών. Ελέγξτε αν είναι φορτισμένες οι μπαταρίες. Βεβαιωθείτε ότι οι επαφές των μπαταριών είναι εντάξει. Η μονάδα μπορεί να έχει κάψει κάποια ασφάλεια (απαιτείται σέρβις στο εργοστάσιο).

15. Τεχνικά χαρακτηριστικά

Βάρος με μπαταρίες.....	1,4 kg
Βάρος χωρίς μπαταρίες.....	1 kg
Διαστάσεις	
Μήκος.....	28,5 cm
Πλάτος.....	11,0 cm
Ύψος.....	56,0 cm
Τροφοδοσία	
4 μπαταρίες μεγέθους C, αλκαλικές 1,5 V (ANSI/NEDA 14 A, IEC LR14) ή επαναφορτιζόμενες NiMH ή NiCad 1,2 V	
Όνομαστική ισχύς: 6 V, 550 mA	
Περιβάλλον λειτουργίας	
Θερμοκρασία.....	20°C έως 50°C
Υγρασία.....	5% έως 95% σχετική υγρασία
Θερμοκρασία φύλαξης.....	-20°C έως 60°C
Τυπικές συχνότητες	
Πομπός sonde.....	512 Hz, 640 Hz, 874 Hz, 33 kHz
Ενεργητική ανίχνευση αγωγού.....	512 Hz, 8 kHz, 33 kHz
Παθητική ανίχνευση αγωγού.....	60 Hz, 50 Hz

Προεπιλεγμένες ρυθμίσεις

Οι προεπιλεγμένες ρυθμίσεις του εντοπιστή είναι:
 Μονάδες βάθους = μέτρα και εκατοστά
 Ένταση ήχου = 1 (μία διαβάθμιση πάνω από τη σίγαση)
 Φωτισμός οθόνης = Αυτόματος

Βασικός εξοπλισμός

- Εντοπιστής Scout
- Σημαντήρες θέσης και βάση ιστού κεραίας
- 2 Εγχειρίδια χρήσης: ΗΠΑ + Ευρώπη
- 4 μπαταρίες στοιχείων C (αλκαλικές)
- Video PAL

Προαιρετικός εξοπλισμός

- Επιπλέον σημαντήρες πόλων/sonde
- Πομπός NaviTrack
- Επαγωγικός σφικτήρας
- Πομπός sonde με μπαταρία
- Πλωτός πομπός

16. Επεξήγηση εικονιδίων
ΕΙΚΟΝΙΔΙΑ ΟΘΟΝΗΣ

- Συχνότητα sonde
- Συχνότητα ενεργητικής ανίχνευσης
- Συχνότητα παθητικής (AC) ανίχνευσης
- Ένταση ήχου
- Φόρτιση μπαταρίας
- Βάθος
- Ένδειξη οριζόντιας κλίσης
- Ισχύς σήματος
- Μενού εργαλείων
- Αντίθεση οθόνης LCD
- Φωτισμός οθόνης LCD

ΕΙΚΟΝΙΔΙΑ ΠΙΝΑΚΑ ΕΛΕΓΧΟΥ

- Πλοήγηση στα μενού
- Επαναφορά ηχητικού τόνου / Επιλογή στοιχείου μενού
- Πλοήγηση στα μενού / Χειροκίνητη μέτρηση βάθους (πάτημα 3 δευτ.)
- Κουμπί ON / OFF
- Κουμπί μενού
- Κουμπί λειτουργίας sonde / ίχνους / συχνότητας
- Κουμπί έντασης ήχου

RU

NaviTrack Scout

Руководство по эксплуатации

Перевод исходных инструкций

**ОБЩАЯ ИНФОРМАЦИЯ ПО ТЕХНИКЕ БЕЗОПАСНОСТИ**
ВНИМАНИЕ! Прочитайте и изучите данную инструкцию.

Результатом несоблюдения приведенных ниже инструкций может стать поражение электротоком, пожар и/или серьезная травма.

ПРОЧИТАЙТЕ ПРИЛАГАЕМУЮ ИНСТРУКЦИЮ ПО ТЕХНИКЕ БЕЗОПАСНОСТИ. СОХРАНИТЕ НАСТОЯЩУЮ ИНСТРУКЦИЮ!

Декларация соответствия ЕС (890-011-320.10) выпускается отдельным сопроводительным буклетом к данному руководству только по требованию.

Меры предосторожности при работе с батареями

- **Следует использовать только батареи указанной емкости и типа. Запрещается одновременно применять батареи разного типа (например, не следует одновременно использовать щелочные элементы и аккумуляторы).** Не следует одновременно использовать частично разряженные и полностью заряженные батареи (например, не применять одновременно старые и новые батареи).
- **Для зарядки батарей следует использовать зарядные устройства, указанные изготовителем аккумуляторной батареи.** Использование несоответствующего зарядного устройства может привести к перегреву и разрыву корпуса аккумуляторной батареи.
- Утилизируйте батареи надлежащим образом. Воздействие высоких температур может привести к взрыву батарей, поэтому запрещается бросать батареи в огонь. В некоторых странах существуют правила утилизации батарей. Пожалуйста, выполняйте все действующие правила.

1. Использование и уход за прибором Scout

- **Используйте оборудование только в соответствии с инструкцией.** Не следует начинать работу с прибором Scout, пока вы не прошли надлежащее обучение и не прочли руководство по эксплуатации.
- **Запрещается погружать антенны в воду.** Храните прибор в сухом месте. Такие меры снижают риск поражения электрическим током либо повреждения инструмента.
- **Проверяйте отсутствие повреждений на деталях и других нарушениях, которые могут повлиять на работу прибора Scout.** В случае повреждения обеспечьте сервисное обслуживание прибора. Неисправное техническое состояние инструмента является причиной многих несчастных случаев.
- **Используйте только те аксессуары, которые рекомендованы производителем для прибора Scout.**

Аксессуары, подходящие для работы с одним прибором, могут быть опасными при использовании с другим.

- **Следите за тем, чтобы ручки прибора оставались сухими и чистыми; не допускайте попадания на них масла или смазки. Это обеспечит лучшее управление прибором.**
- **Защищайте устройство от чрезмерного нагрева.** Изделие следует располагать вдали от источников тепла, таких как радиаторы, обогреватели, печи или другие приборы (в том числе, усилители), генерирующие тепло.

1.1 Обслуживание

- **Обслуживание диагностического прибора должны выполнять только специалисты с соответствующей квалификацией.** Ремонт или техобслуживание прибора, проведенные неквалифицированным персоналом, могут привести к травме.
- **Производите очистку правильно.** Перед очисткой выньте батареи. Не используйте жидкие чистящие средства и аэрозоли. Применяйте для очистки влажную ткань.
- **Проводите проверку на безопасность.** По завершении обслуживания или ремонта прибора попросите техника провести проверку на безопасность, чтобы определить, что прибор находится в надлежащем рабочем состоянии.
- **Повреждения изделия, требующие сервисного обслуживания.** Извлеките батареи и передайте прибор на обслуживание квалифицированному персоналу в указанных ниже ситуациях:
 - Если в прибор попала вода либо посторонние предметы.
 - Если прибор не работает нормально в соответствии с инструкциями по эксплуатации.
 - Если прибор уронили или повредили каким-либо образом.
 - Когда эксплуатационные качества прибора заметно меняются.

При любой переписке в отношении прибора следует указывать всю информацию, приведенную на табличке с характеристиками вашего прибора, в том числе номер модели и серийный номер.

1.2 Важное замечание

Scout является диагностическим прибором, который осуществляет измерение электромагнитных полей, излучаемых подземными объектами. Он предназначен для оказания помощи пользователю в поиске таких объектов путем определения характеристик линий электромагнитного поля и отображения их на экране. Поскольку линии электромагнитного поля могут искажаться и иметь помехи, важно проверить места расположения подземных объектов до начала выемки грунта.

В одной и той же зоне под землей могут находиться несколько магистралей коммунального снабжения.**Следует выполнять требования местных регламентирующих правил.***Выемка грунта до обнаружения магистралей коммунального снабжения – единственный способ проверки их наличия, места расположения и глубины залегания.**Компания Ridge Tool Co., ее филиалы и поставщики не несут ответственности за любые травмы или любой прямой, косвенный, побочный или непрямой ущерб, понесенный или произошедший по причине применения прибора Scout. В одной и той же зоне под землей могут находиться несколько магистралей коммунального снабжения. Следует выполнять требования местных регламентирующих правил.*

2. Вводные сведения о приборе Scout

Зонд Scout™ и локатор линий используют многонаправленные антенны и усовершенствованную обработку данных для точного, быстрого и легкого определения местонахождения зондов и местоположения подземных трубопроводов.

2.1 Какие его уникальные функции?

Усовершенствованная технология прибора Scout обеспечивает ряд уникальных функций в сравнении с обычными локаторами:

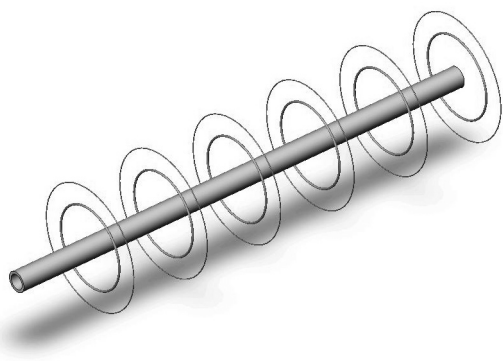
- Система многонаправленных антенн.
- Режим микроарты.
- Четкие сигнальные характеристики.

2.2 Для чего он предназначен?

Прибор Scout используют над землей для измерения электромагнитных полей, излучаемых подземными или скрытыми магистралями (электрическими проводниками, например, металлическими кабелями и трубами) или зондами (активными, излучающими сигнал маяками). Если электромагнитные поля простые и неискаженные, тогда измеряемые поля дают представление о подземном объекте. Прибор Scout находит местонахождение токопроводящих объектов, излучающих электромагнитное поле; он не обнаруживает все объекты, находящиеся под землей.

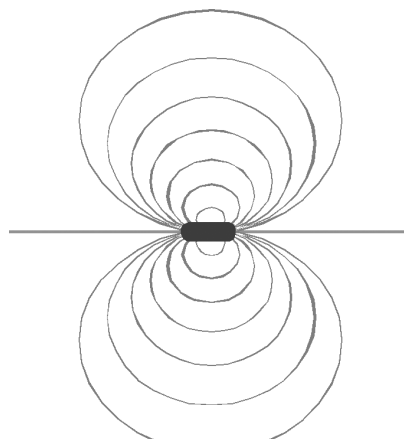
Электрические поля, излучаемые подземными объектами, могут быть двух типов; первый тип электрического поля излучается длинными проводниками, например электропроводкой, кабелями инспекционных видеокамер или трубами.

Эти объекты создают длинные цилиндрические поля, поэтому по отношению к ним часто применяется термин обнаружение «линии».



Поле, излучаемое электролинией.

(Пассивное обнаружение электрического проводника - это особый случай при котором линия «заряжается» электрической энергией.) Второй тип, зонды (их также называют передатчиками, маяками или трубопроводными датчиками), излучают поля разной формы, и прибор Scout запрограммирован на измерение и отображение этого типа поля. Наиболее сложная форма поля, излучаемая зондом, называется двухполюсным полем. Оно идентично полю, излучаемому магнитом или нашей планетой.



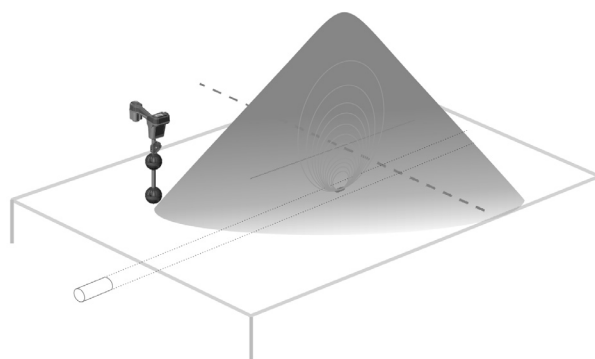
Это двухполюсное поле излучается зондом.

Электромагнитные поля имеют три (3) важных свойства: частоту, мощность и угол (направление). В отличие от традиционных локаторов, которые могут измерять только мощность в направлении отдельной антенны, прибор Scout измеряет мощность сигнала и углы поля в трех измерениях (3D). Эта усовершенствованная функция позволяет создавать картографическое изображение.

Опытный оператор может использовать эту дополнительную информацию для ускорения процесса поиска и решения сложных задач по определению местонахождения объектов. С другой стороны, неопытный пользователь сможет легко определить местонахождение объекта только по силе сигнала.

Правило №1 при использовании прибора Scout – найдите наибольший показатель! –

Получение максимальной мощности сигнала – это ключевой, основной способ определения местонахождения.



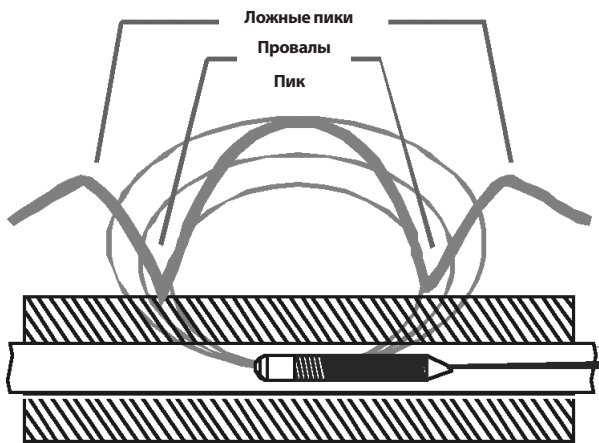
Пример того, как прибор Scout определяет максимальную мощность сигнала над зондом.

Как при обнаружении линии, так и при обнаружении зонда максимальная мощность сигнала будет над искомой целью. Глубина отображается, когда прибор находится над целью.

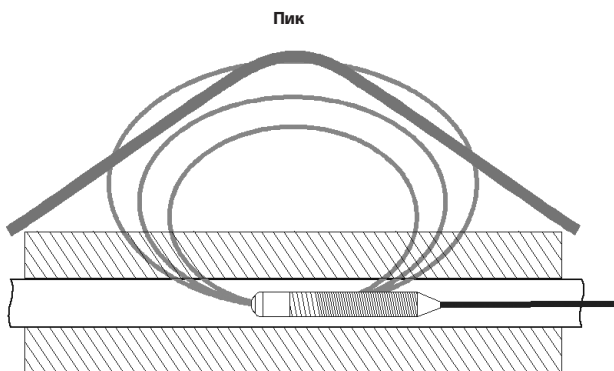
2.3 Какое преимущество обеспечивает многонаправленность прибора Scout?

Прием всех сигналов с помощью многонаправленных антенн обеспечивает определенные преимущества:

1. Мощность сигнала всегда возрастает при приближении пользователя к цели.
2. Устранение «нулей» и «ложных пиков». Сигнал на обычном локаторе сначала возрастает до пикового значения, затем уменьшается до нуля, а затем снова возрастает до меньшего пикового значения. Это может сбить с толку оператора, особенно, если он воспримет меньший пик за цель (так называемый «Ложный» пик). Прибор Scout показывает только один пик, чтобы привести пользователя к цели.



Сигнал зонда, как его «видит» обычный локатор. Основной пик сигнала находится в центре, а два ложных пика располагаются снаружи от двух нулей.



Сигнал зонда, как его "видит" прибор Scout. Один пик, без нулей.

3. Способ удержания прибора не влияет на интенсивность сигнала. Пользователь может приближаться с любого направления, и ему не требуется знать, где располагается труба или провод.
4. Среди дополнительных инструментов для определения и решения «сложных» мест – графическая микрокарта и индикатор угла, которые помогают интерпретировать сигнальные характеристики.

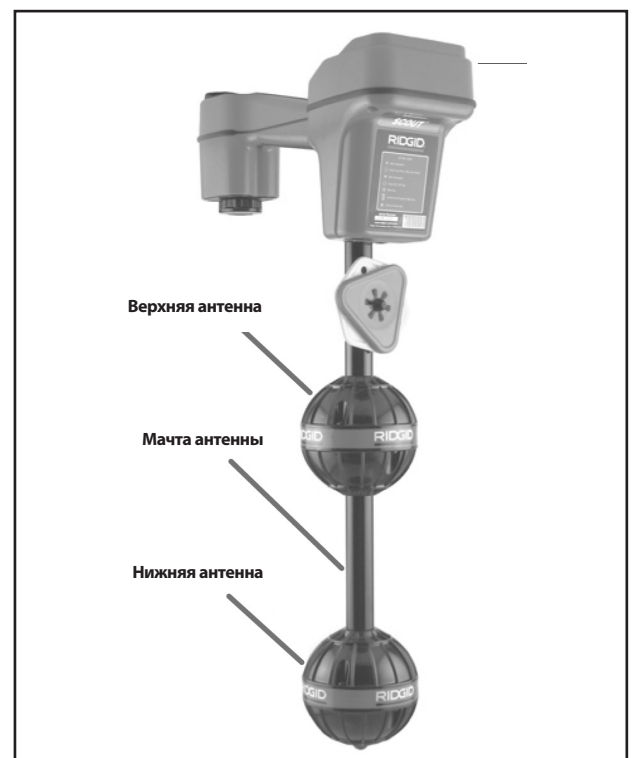
2.4 Какое преимущество дает микрокарта?

Карта обеспечивает графическое отображение характеристик сигнала. Это общая панорама сигнала, отображаемая в графическом виде на экране. Она применяется в качестве ориентира при трассировке подземных линий, и его можно использовать для повышения точности определения местонахождения зондов. Кроме того, его можно использовать для вывода дополнительной информации в сложных случаях поиска.

При перемещении локатора над землей прибор Scout проходит над сигналами, излучаемым подземными объектами. Это позволяет пользователю увидеть

на экране индикацию сигналов, а затем обозначать их. Обычные локаторы не могут создавать карту подземного сигнала, поскольку их антенны не видят его полную форму.

3. Устройство прибора Scout

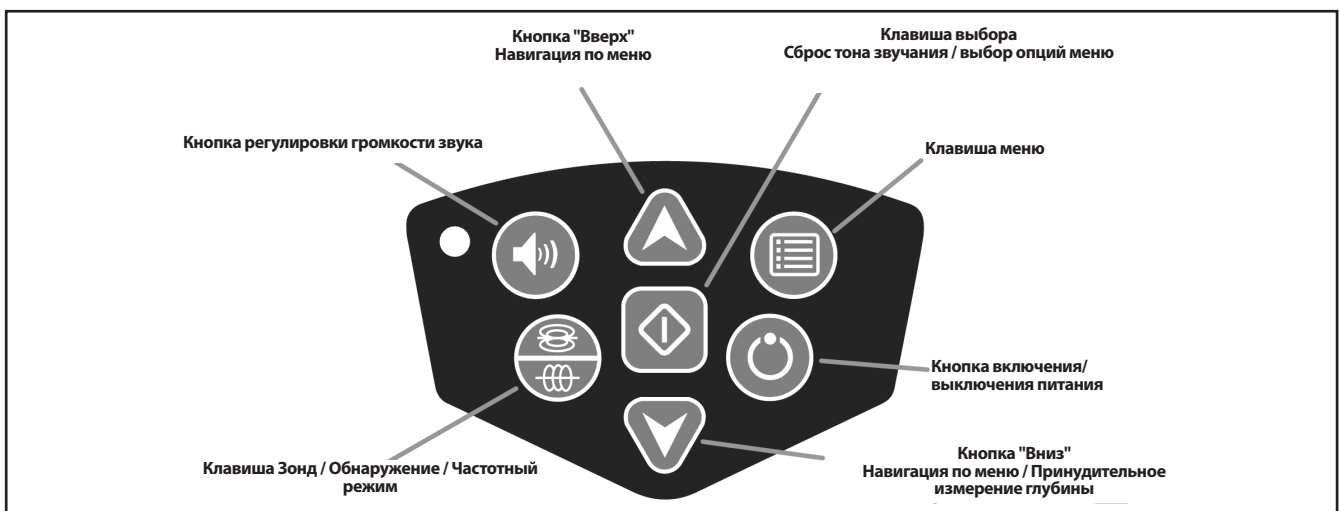




Дисплей



Клавишная панель

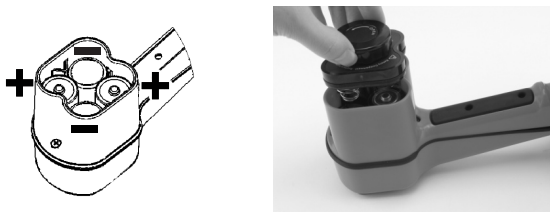


- Клавиша громкости** – открывает и закрывает меню уровня звука.
- Клавиша Зонд/Обнаружение/Частотный режим** – переключает активные частоты и функции.
- Клавиша вверх** – прокрутка опций вверх в меню.
- Клавиша выбора** – выбирает выделенную опцию в открытом меню.
- Клавиша вниз** – прокрутка опций вниз в меню.
- Клавиша меню** – открывает/закрывает меню.
- Клавиша ВКЛ./ВЫКЛ.** – включает или выключает прибор Scout.

4. Начало работы с прибором

4.1 Установка/замена батарей

Для установки батарей в прибор Scout, переверните его, чтобы получить доступ к отсеку батарей. Поверните ручку на крышке отсека батарей против часовой стрелки. Потяните ручку вверх, чтобы снять крышку. Вставьте батареи, как показано на наклейке с внутренней стороны крышки, и убедитесь, что обеспечен полный контакт с клеммами. Установите крышку в корпус и поверните ручку по часовой стрелке, слегка нажав на нее, чтобы закрыть. Крышка отсека батарей может быть установлена в любом направлении.



После включения прибора Scout в течение нескольких секунд происходит проверка батарей. До окончания проверки индикатор уровня зарядки батарей будет показывать, что они разряжены.

⚠ ВНИМАНИЕ


Не следует допускать попадания в отсек батарей мусора. Мусор в батарейном отсеке может замкнуть контакты батарей, что приведет к их быстрому разряду, а впоследствии к вытеканию электролита или к опасности возникновения пожара.

4.2 Продолжительность работы


Обычное время работы локатора Scout при использовании щелочных батарей составляет от 12 до 24 часов в зависимости от громкости звучания и частоты использования подсветки. Одним из других факторов, которые влияют на длительность работы прибора, является тип батареи питания (многие новые высокопроизводительные батареи, например, "Duracell® ULTRA", имеют срок службы на 10% - 20% больше, чем обычные щелочные элементы питания для приборов с большим потребляемым током). Работа при низких температурах также сокращает срок службы батарей.

Чтобы увеличить срок службы батареи, прибор Scout автоматически выключается по истечении 1 часа, если за это время не будет нажата ни одна из его кнопок. Чтобы возобновить работу с прибором, требуется просто включить его питание.

4.3 Включение и выключение

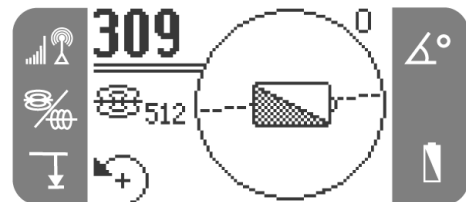
Включите питание, нажав кнопку питания  на клавишной панели. На экране отобразится логотип RIDGID®, а в правой нижней части экрана отобразится версия программного обеспечения.



Чтобы выключить питание прибора, нажмите и отпустите кнопку питания  на клавишной панели. Включение/выключение прибора длится несколько секунд.

4.4 Предупреждение о разряде батареи

При разряде батареи в зоне карты на экране появляется значок батарейки. Он указывает на необходимость замены батарей и на то, что отключение прибора произойдет в ближайшее время.



Непосредственно перед полным отключением прибора выполняется процедура выключения питания, которую невозможно прервать.

В некоторых случаях напряжение аккумуляторных батарей может столь резко снижаться, что прибор просто выключится. Прибор выключится и перезапустится. Следует просто заменить батареи и вновь включить питание прибора.

5. Подготовка к работе

После включения питания и начала работы прибора Scout, следующим действием является задание требуемых рабочих частот, которые совпадают с частотой оборудования, подлежащего обнаружению. Каждая частота активизируется путем выбора из списка в меню.

1. Нажмите клавишу меню, выделите опцию, затем нажмите клавишу выбора, чтобы активировать:



2. С помощью стрелок вверх/вниз выделите частоту, соответствующую одной из частот, используемых в зонде или в линейном передатчике, затем нажмите клавишу выбора, чтобы поставить галочку. См. опции меню для справки. Нажмите клавишу меню, чтобы возвратиться на главный экран.





ВНИМАНИЕ

Убедитесь, что выбранная частота соответствует требуемой частоте. 512 и 33 – это частота зонда, А ТАКЖЕ частота обнаружения магистрали. При использовании частоты зонда для обнаружения магистрали или наоборот, прибор Scout может отображать неправильную информацию о глубине.

- Теперь нажимайте клавишу режимов зонд/обнаружение/частота для переключения между активированными частотами и режимами. Обращайте внимание на значки на экране, чтобы видеть, в каком режиме работает прибор Scout.



- Если требуется настроить глубину, автоматическую подсветку или контрастность ЖКД, выберите соответствующую опцию в меню инструментов и внесите изменения с помощью клавиши выбора.



5.1 Опции меню

Частоты в режиме зонда		512 Гц 640 Гц 874 Гц 33 Гц
Частоты в режиме обнаружения магистрали		50 Гц (Пассивная) 60 Гц (Пассивная) 512 Гц 8 кГц 33 кГц
Меню Инструменты		Футы/метры Автоматическая подсветка дисплея Контраст ЖКИ-дисплея

5.2 Звуковые сигналы прибора Scout

Звуковой сигнал соответствует увеличению или уменьшению мощности сигнала. Высота и громкость звука возрастают при приближении к сигналу и соответственно снижаются при удалении от него. При увеличении мощности сигнала высота и громкость звучания прибора постепенно повышаются, чтобы направить оператора в место с максимальной мощностью сигнала. При уменьшении мощности сигнала звучание возвращается к основному тремолу, как если бы прибор не видел сигналы.

Прибор Scout оборудован автоматическим усилителем звука. При приближении или удалении от источника сигнала интенсивность звука будет соответственно нарастать или уменьшаться.

Настройте громкость звучания, нажимая клавишу звука.



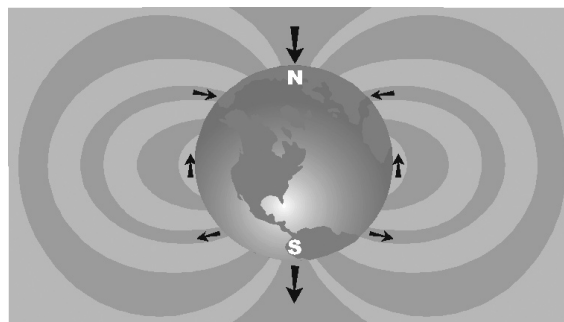
С каждым нажатием клавиши звука громкость звучания увеличивается. Вы можете также настроить громкость звука с помощью стрелок вверх или вниз. Нажмите клавишу выбора для выхода из этого экрана.



ПРИМЕЧАНИЕ При нажатии клавиши выбора во время работы прибора высота звучания устанавливается на средний уровень.

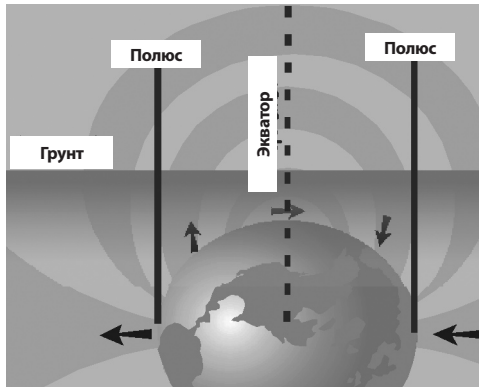
5.3 Обзор - Описание работы зондов и прибора Scout

Зонды (их также называют передатчиками, маяками или трубопроводными датчиками) излучают электромагнитное поле очень похожее на магнитное поле Земли.



На самом деле, если Землю условно повернуть на 90 градусов, форма ее магнитного поля будет очень похожа на форму магнитного поля зонда. В качестве локатора прибор Scout может измерять форму (угол) линий магнитного поля зонда и определять точные характеристики этих линий. Учитываются три важные характеристики магнитного поля: два **ПОЛЮСА** и **ЭКВАТОР**. На полюсах угол линий магнитного поля составляет 90 градусов (вертикальные линии). На экваторе этот угол

равен 0 (горизонтальные линии). Полюса являются определенными точками в пространстве, тогда как линии магнитного поля на экваторе полностью окружают зонд. Поскольку эти характеристики постоянны, их можно использовать для точного определения местонахождения зонда.



Обычные локаторы видят полюса, как «нули», поскольку места, где сигналы проходят через их антенны вертикально, являются для них мертвыми точками. В отличие от них прибор Scout способен «видеть» полюса («нули») и показывать вам их местонахождение, **даже если вы не находитесь непосредственно над ними, и независимо от того, как антенны Scout направлены относительно сигнала.**

Это одна из причин по которым определение местонахождения с помощью прибора Scout выполнять намного проще, чем с помощью обычных локаторов.

Зонд находится в точке, где экватор проходит прямо посередине между двумя полюсами.

5.4 Точное определение местонахождения зонда

Прибор Scout можно использовать для поиска сигнала зонда (передатчика) в трубе так, чтобы определить его местоположение, находясь над землей. Зонды можно помещать на проблемный участок в трубе с помощью видеокамеры, проталкивающего троса или кабеля. Кроме того, зонд можно смывать, увлекая потоком воды, стекающей под наклоном внутри трубы.

Ниже предполагается, что зонд находится в горизонтальном трубопроводе, поверхность почти горизонтально ровная, а прибор Scout удерживают так, что стойка антенны располагается вертикально.

ВАЖНАЯ ИНФОРМАЦИЯ Интенсивность сигнала является ключевым фактором при определении местоположения зонда. Чтобы обеспечить точное определение местонахождения объекта, прежде чем размечать зону под выемку грунта, **СЛЕДУЕТ** сначала найти место с максимальной мощностью сигнала.

5.4.1 Выполняйте поиск зонда следующим образом:

- **Перед** установкой зонда в магистраль убедитесь с помощью прибора Scout, что зонд работает и прибор Scout получает от него сигнал.
- Если он работает и передает сигналы, активируйте зонд на приборе Scout и установите на Scout такую же частоту, как и на зонде. Убедитесь, что на экране прибора отображается значок

⚠ ВНИМАНИЕ

Убедитесь, что выбранная частота соответствует требуемой частоте. 512 и 33 – это частота зонда, А ТАКЖЕ частота обнаружения магистрали. При использовании частоты зонда для обнаружения магистрали или наоборот, прибор Scout может отображать неправильную информацию о глубине.

- Перейдите к предполагаемому местоположению зонда. Если направление прокладки трубопровода неизвестно, протолкните зонд на короткое расстояние внутрь магистрали (оптимальное стартовое положение - примерно 5 м от входного отверстия).

5.4.2 Для определения местонахождения зонда воспользуйтесь одним из следующих способов:

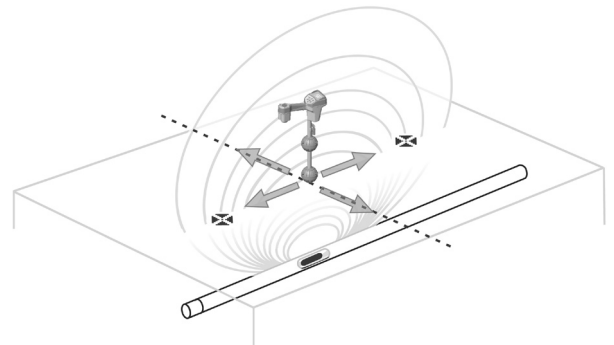
Способ 1 - Найдите место с максимальной мощностью сигнала

1. Удерживайте прибор Scout мачтой в сторону от себя. Поворачивайте мачту в предполагаемом направлении расположения зонда, обращая внимание на интенсивность сигнала и прислушиваясь к звуковому сигналу. Сигнал будет максимальным, когда мачта антенны будет направлена на зонд.
2. Опустите прибор Scout в нормальное рабочее положение (мачта антенны располагается вертикально) и идите в направлении зонда. При приближении к зонду интенсивность сигнала будет увеличиваться, а высота тона звукового сигнала будет возрастать. Используйте индикатор интенсивности сигнала и звуковой сигнал для определения места с **максимальным сигналом.**



3. После определения места с максимальным сигналом переместите прибор Scout ближе к поверхности в точке с пиковым сигналом и перемещайте его в разных направлениях, чтобы убедиться в том, что мощность сигнала уменьшается.

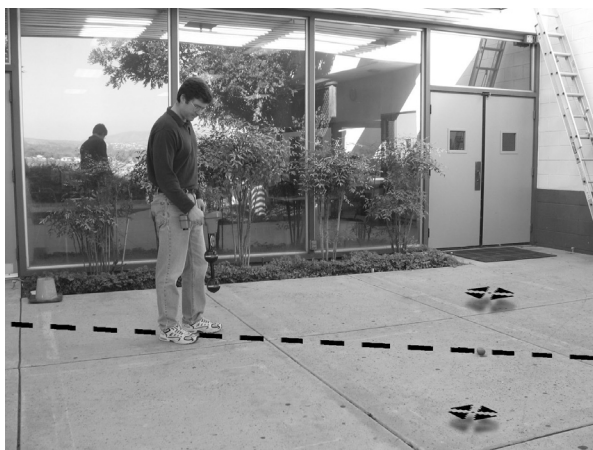
ПРИМЕЧАНИЕ При считывании показаний мощности сигнала, излучаемого наклонным зондом, точка с пиковым сигналом может находиться не на линии экватора (см. раздел о наклонном зонде).



Способ 2 – Перемещайтесь по экватору, пока не найдете максимальный сигнал

1. Лучше всего подходит для работы на открытых и свободных от препятствий участках, **когда зонд находится в горизонтальной плоскости**. Перемещайте мачту в разных направлениях, затем следуйте в направлении максимальной мощности сигнала, как описано в способе 1.
2. Когда по центру дисплея прибора Scout отобразится устойчивая линия экватора, следуйте по ней в направлении увеличения мощности сигнала. При обнаружении максимальной мощности сигнала перемещайте прибор Scout вдоль экватора и **во всех других направлениях**, чтобы убедиться, что вы обнаружили пиковый сигнал.

Когда зонд находится в наклонном положении, обязательно найдите максимальный сигнал, который покажет местонахождение зонда.



Проверка местонахождения зонда.

1. В точке с максимальной мощностью сигнала перемещайте прибор Scout с мачтой в вертикальном положении перпендикулярно к линии экватора, отображаемой на экране. После появления на экране значка полюса перемещайте прибор Scout, пока не совместите значок полюса с перекрестием на экране; в этом месте **коснитесь шаром нижней антенны** земли. Поместите один из оранжевых треугольных маркеров на землю в этой точке.



Вид экрана, когда прибор Scout находится над полюсом.

2. Переместите прибор Scout через линию экватора к другому полюсу. Совместите значок второго полюса с перекрестием на экране, и обозначьте его положение, как описано выше.
3. Возвратитесь к месту **с максимальной мощностью сигнала**. Обозначьте эту точку на земле желтым шестиугольным маркером. Отводите медленно шар нижней антенны от желтого маркера во всех направлениях, следя за мощностью сигнала на дисплее. Мощность сигнала должна быть самой высокой прямо над зондом.

4. Убедитесь, что все три маркера выстроены в одну линию и желтый шестиугольный маркер находится примерно посередине между маркерами полюсов.

Если желтый маркер находится не посередине, см. раздел о наклонных зондах.

ВАЖНАЯ ИНФОРМАЦИЯ Нахождение на экваторе не означает, что вы находитесь над зондом! Помните, что ключевую роль в поиске зонда играет мощность сигнала. Вы должны находиться в точке приема самого мощного сигнала.

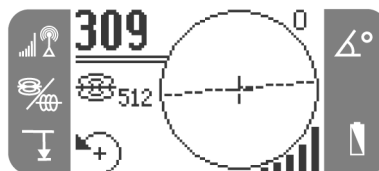
Для достижения большей точности поиска используйте пузырьковый уровень. При маркировке полюсов и экватора **СЛЕДУЕТ** держать мачту антенны вертикально, в ином случае места их расположения будут определены неточно.

5.5 Измерение глубины

Прибор Scout вычисляет измеренную глубину путем сравнения интенсивности сигнала у нижней антенны с интенсивностью сигнала у верхней антенны.

Измерение глубины выполняется, когда нижняя антенна касается земли в точке прямо над источником сигнала.

1. Чтобы измерить глубину, следует поместить локатор на землю непосредственно над зондом или магистралью. Показание угломера не должно превышать 5 градусов. Медленно вращайте прибор в направлении стрелки, отображаемой в **нижней левой** части экрана, пока на экране не появится значение глубины.



Для проверки, выставлена ли антенна вертикально при измерении глубины, используйте встроенный пузырьковый уровень.

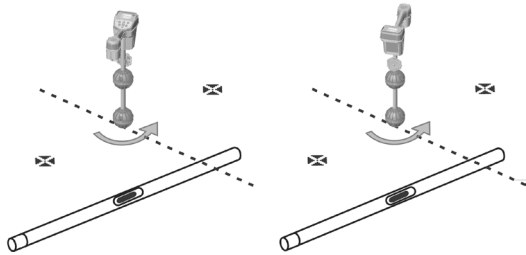
Чтобы найти максимальный сигнал и получить более точные результаты измерения глубины, необходимо медленно вращать прибор Scout для выравнивания антенны с сигналом.

2. Измеренная глубина выводится в нижний левый угол экрана.



3. **Функция принудительного измерения глубины** - Если угломер показывает более 5 градусов, прибор Scout не производит измерение глубины. Нажмите и удерживайте клавишу со стрелкой вниз. Срабатывает принудительное определение глубины, если она доступна для измерения (см. следующий раздел о наклонных зондах).

При измерении глубины сначала снимите одно показание угломера, затем поверните прибор Scout на 180 градусов (1/2 оборота) и снимите второе показание. При этом нижний шар должен все время оставаться на земле в одной точке, а мачта должна находиться в вертикальном положении. Если показания угломера различаются на более, чем 10%, значит измерения были проведены с искажением и значение глубины может быть неточным.



5.6 Советы по определению местонахождения зонда

- По возможности используйте звуковую сигнализацию для наведения прибора Scout на сигнал максимальной мощности.
- Если при пересечении экватора сигнал не возрастает до максимального значения, перемещайтесь по экватору, пока не будет достигнуто пиковое значение сигнала. Простое обнаружение экватора зонда (косая линия на экране) еще НЕ означает, что вы нашли зонд. Следует также найти точку с максимальным сигналом. Если зонд находится в наклонном положении, экватор не будет пролегать прямо над зондом, и расстояние от зонда до каждого из полюсов будет разным. Если зонд наклонен, найдите точку с максимальным сигналом.
- Всегда проверяйте точку с максимальной мощностью сигнала. Проверяйте показания карты, кроме случаев, когда вы точно знаете, что выполняются все необходимые условия измерений. Необходимые условия при использовании карты:
 1. Поверхность ровная.
 2. Зонд находится в горизонтальном положении.
 3. Прибор Scout находится над поверхностью земли.
 4. Прибор Scout удерживается приблизительно вертикально, мачтой с антеннами вниз.

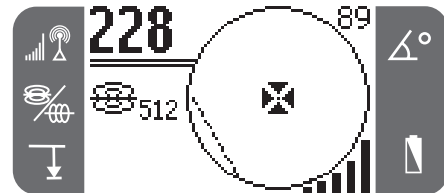
Если эти условия не соблюдаются, необходимо обратить особое внимание на максимальный уровень интенсивности сигнала. В общем, если вышеприведенные условия выполняются и прибор Scout находится на расстоянии двух «глубин» от источника сигнала, карта будет полезной и точной. Об этом следует помнить при использовании карты, если цель или источник сигнала залегают близко к поверхности грунта. Полезная зона поиска при использовании только карты может быть малой, если зонд залегает слишком близко к поверхности грунта.

5.7 Наклоненные зонды

Если зонд наклонен, один из полюсов будет смещен ближе к зонду, а другой дальше от него, при этом место расположения зонда не будет находиться посередине между двумя полюсами. Мощность сигнала от ближнего полюса будет намного выше, чем от дальнего полюса. В редких случаях, когда зонд находится в вертикальном положении, один полюс будет расположен прямо над зондом и будет совпадать с точкой с максимальной мощностью сигнала. Другой полюс не будет виден совсем.

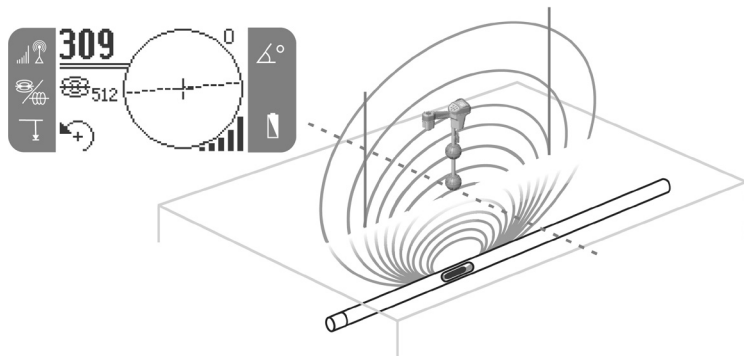
Таким образом, даже если зонд будет находиться в вертикальном положении вследствие выпадения сквозь брешь в магистрали или

попадания в подземный резервуар, его все равно можно будет найти. Ниже приведен пример экрана, на котором полюс совпадает с точкой максимальной мощности сигнала, когда зонд находится в вертикальном положении.

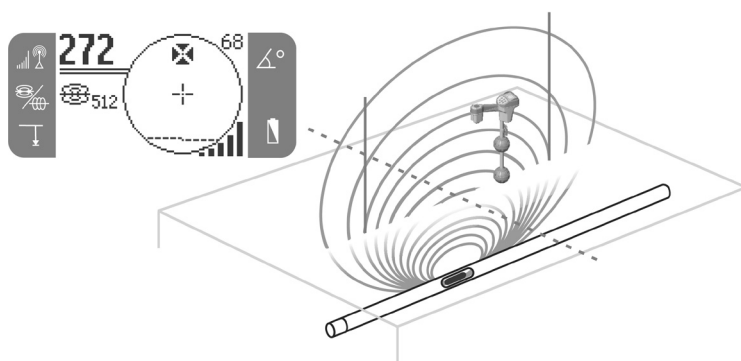


Многонаправленные антенны позволяют измерять глубину, даже когда зонд наклонен. В этом случае для определения глубины следует использовать функцию принудительного измерения глубины (см. раздел «Измерение глубины»).

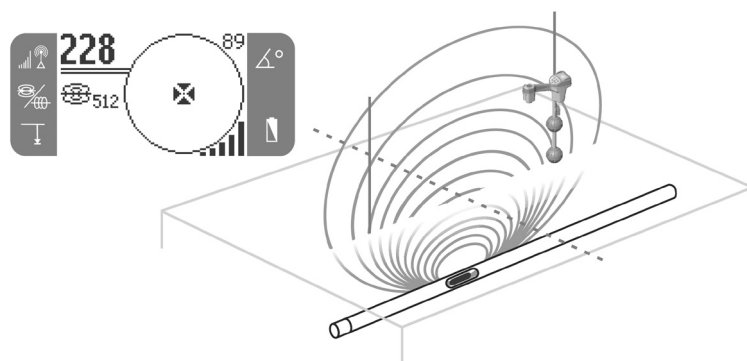
Микрокарта - Примеры - Режим зонда



Scout на экваторе



Scout покидает экватор и приближается к полюсу



Scout на полюсе

6. Трассировка магистрали с помощью прибора Scout

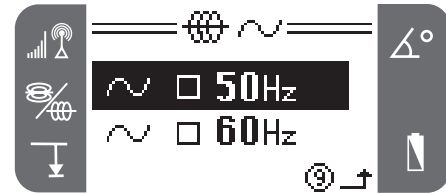
Прибор Scout можно также использовать для трассировки подземной трубы или магистрали с выполнением маркировки на поверхности. Он позволяет определить прохождение подземной магистрали с целью ее ремонта или замены, а также, чтобы уберечь ее от повреждения во время производства земляных работ. Прибор Scout способен обнаруживать с подключенным к ним током разной частоты, а также он может использоваться пассивно для проведения зондирования с целью обнаружения трубопроводов любой длины, способных проводить сигналы.

Подземные магистрали получают электропитание от линейного передатчика. Этот активный сигнал затем отслеживается с помощью приемника, в роли которого выступает прибор Scout.

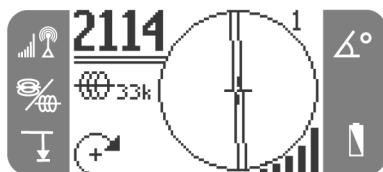
1. Подключите линейный передатчик к магистрали в соответствии с инструкциями его производителя.

«Передатчик» – это обобщенное название для всех устройств, генерирующих сигнал. Это название используется как для обозначения зонда, так и для обозначения устройства, используемого для подачи электропитания на кабель или трубопровод.

2. Установите на приборе Scout частоту, которая используется передатчиком. Убедитесь, что у частоты имеется значок обнаружения трассы ~. Нажмите клавишу главного меню, чтобы возвратиться на экран обнаружения.



3. Перед началом трассировки рекомендуется обратить внимание на мощность сигнала, чтобы определить, уменьшается ли он при отводе прибора Scout в сторону. При использовании индуктивного режима, наведите мачту на питающие провода или передатчик. Сигнал должен быть пиковым над магистралью и уменьшаться по обеим ее сторонам. Если на экране пиковая мощность сигнала НЕ соответствует магистрали, значит сигнал может быть искаженным.
4. При прослеживании трассы, направление прокладки трубопровода или кабеля отображается на экране двумя непрерывными линиями. Когда эти линии находятся по центру, это означает, что прибор Scout прослеживает подземную магистраль. Если линии смещаются влево или вправо, переместите прибор Scout так, чтобы линии отображались снова по центру. Самый мощный сигнал излучается прямо над магистралью. В противном случае присутствует искажение сигнала.



ПРИМЕЧАНИЕ При использовании частоты обнаружения магистрали на экране отображаются две линии. При использовании частоты зонда, на экране отображается одна линия, которая является экватором.

ОСТОРОЖНО Следует быть внимательным и следить за сигнальными помехами, которые могут дать неточные показания. Показания измеренной глубины следует принимать как оценочные; фактические значения глубины следует проверить перед началом земляных работ способом частичной раскопки.

5. Перед началом трассировки рекомендуется обратить внимание на мощность сигнала, чтобы определить, уменьшается ли он при отводе прибора Scout в сторону. При использовании индуктивного режима, наведите мачту на питающие провода или передатчик. Сигнал должен быть пиковым над магистралью и уменьшаться по обеим ее сторонам. Если на экране пиковая мощность сигнала НЕ соответствует магистрали, значит сигнал может быть искаженным.

6.1 Обнаружение пассивной электрической линии

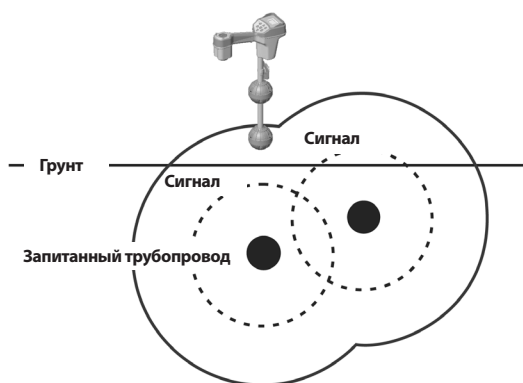
В пассивном режиме прибор Scout распознает переменный ток или переменные электрические поля. Подземные электрические линии не излучают никаких ощутимых сигналов, если по ним не идет ток. Например, очень тяжело обнаружить кабеля выключенных уличных фонарей.

1. Выберите частоту обнаружения пассивной электрической линии со значком обнаружения пассивной электрической линии ~.
2. Прибор Scout имеет две (2) стандартные частоты обнаружения пассивной электрической линии. Это частота 50 Гц и 60 Гц.

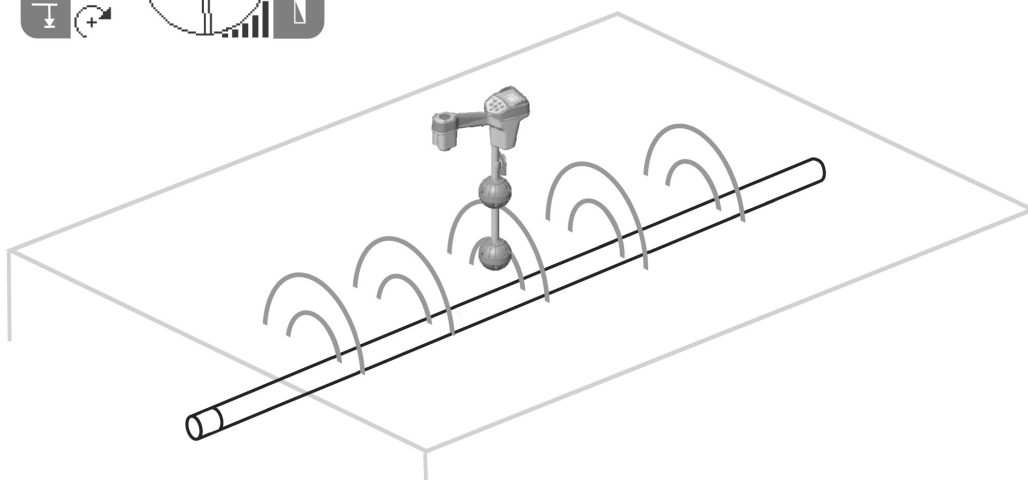
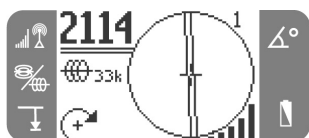
6.2 Советы по обнаружению магистрали

- Если при максимальной мощности сигнала линии не находятся по центру экрана, присутствует искажение сигнала!
 - a. Попробуйте изменить текущую частоту сигнала на меньшую.
 - b. Переместите заземляющий стержень подальше от магистрали, поиск которой осуществляет оператор.
 - c. Убедитесь, что магистраль не имеет общего соединения с другой магистралью коммунального снабжения.
 - Если линии не центрируются или перемещаются поперек экрана случайными скачками, то, возможно, прибор Scout принимает нечеткий сигнал.
 - a. Проверьте, правильно ли работает передатчик и хорошо ли он заземлен.
 - b. Проверьте измерительный контур, для этого направьте нижнюю антенну на любой из проводов передатчика.
 - c. Убедитесь, что передатчик и прибор Scout работают с одной частотой.
 - d. Попробуйте другие частоты, начиная с самой нижней, до тех пор, пока магистраль не будет надежно определяться.
 - Ток лучше проходит от наименьших до наибольших (меньшее сопротивление) магистралей. Например, при обнаружении трубопровода от дома до улицы.
 - Во время поиска трассы сигнал должен быть максимальным, а глубина минимальной, в том месте, где линии на экране будут отцентрированы. Если это не так, возможно, магистраль меняет направление, или имеется связь с другими сигналами.
 - Более высокие частоты создают большую вероятность ухода сигнала в сторону, на соседние магистрали, но их использование может потребоваться, чтобы преодолеть обрывы в проводах трассоискателя или чтобы перейти через изоляционные соединительные муфты.
 - При использовании передатчика в индуктивном режиме, обязательно начинайте поиск местонахождения с расстояния 10 / 15 м, чтобы избежать возникновения эффекта «пневматической муфты». Такая ситуация возникает, когда прибор Scout принимает сигнал непосредственно от передатчика, а не от трассируемой магистрали.
- Если линии обнаружения трассы не центрируются, или перемещаются поперек экрана случайными скачками, то, возможно, прибор Scout принимает нечеткий сигнал.
- a. Поверхность ровная.
 - b. Магистраль горизонтальна.
 - c. Прибор Scout находится над поверхностью земли.
 - d. Мачта антенны прибора Scout удерживается приблизительно в вертикальном направлении.
- Если эти условия не соблюдаются, необходимо обратить особое внимание на максимальный уровень интенсивности сигнала. В общем, если прибор Scout находится на расстоянии двух

«глубин» от магистрали, карта будет полезной и точной. Об этом следует помнить при использовании микрокарты, если цель или магистраль залегают близко к поверхности грунта. Полезная зона поиска при использовании микрокарты может быть малой, если магистраль залегает слишком близко к поверхности грунта.



Микрокарта - Примеры - Обнаружение магистрали



7. Меню Инструменты

7.1 Изменение единиц измерения глубины

Прибор Scout позволяет производить измерение глубины в футах или метрах. Чтобы изменить эти настройки, просто выделите значок глубины в меню инструментов, а затем нажмите клавишу выбора, чтобы переключиться на футы или метры.



7.2 Автоматическая подсветка дисплея

В левом верхнем углу клавиатуры прибора находится встроенный датчик освещенности, который автоматически распознает снижение уровня освещения. Подсветку можно включить принудительно, закрыв доступ света к этому датчику пальцем.

Автоматическая тыльная подсветка ЖК-дисплея отрегулирована на заводе-изготовителе так, что она включается только при достаточно темных условиях. Это необходимо для экономии энергии батареек. При разряженных батарейках тыльная подсветка будет казаться тусклой. Когда ресурс аккумулятора исчерпан, подсветка включается только при очень низком уровне освещения, чтобы сэкономить заряд аккумулятора.

Чтобы выключить подсветку, выделите значок лампочки в меню в разделе инструментов, затем нажмите клавишу выбора, для переключения между опциями Auto (Автоматическая) и OFF (Выкл.).



7.2.1 Контрастность ЖК-дисплея

Если выделить и выбрать эту опцию, тогда с помощью стрелок вверх и вниз можно настроить контрастность ЖК-дисплея.



8. Полезная информация

8.1 Помехи сигнала

8.1.1 Искаженные поля

Иногда в электромагнитное поле попадают металлические предметы, которые могут искажать линии поля. Кроме этого, другое устройство, зарытый в землю металлолом или неиспользуемые магистрали также могут смещать или укорачивать линии электромагнитного поля. В таком случае прибор Scout может отображать более слабый сигнал около этих объектов и более сильный сигнал непосредственно над ними. Эти объекты могут работать как линзы, которые непредсказуемо усиливают или ослабляют сигнал.

8.1.2 Сложные поля

Существует также возможность возникновения сложных полей. В местах перекрытия двух или более полей может возникать более мощный сигнал. Оператор должен знать, что в местах, где трубы поворачивают или сходятся под прямым углом, часто могут возникать сложные поля.

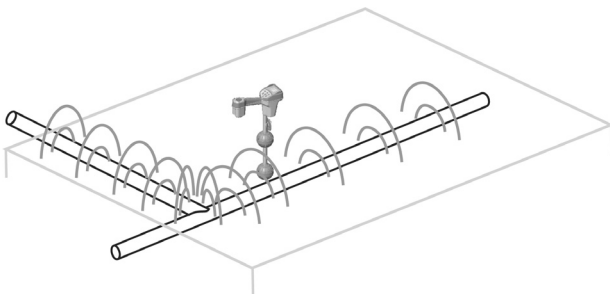


Схема сложного поля вокруг места соединения в магистрали.

8.1.3 Шум

Помехи (шум) являются неотъемлемой частью процесса поиска. Помехи могут иметь частоту, совпадающую с используемой, или иметь другие частоты. Одни из самых сильных помех генерируются оборудованием

для передачи электроэнергии. Источниками очень сильных помех могут быть силовые трансформаторы, большие электрические моторы или генераторы, а также линии электропитания. По возможности, следует избегать мест с сильным шумом.

Если отображение угла и/или уровня сигнала нестабильно – это означает, что либо отсутствует целевой сигнал (зонд или магистраль с электропитанием), либо присутствуют сильные помехи.

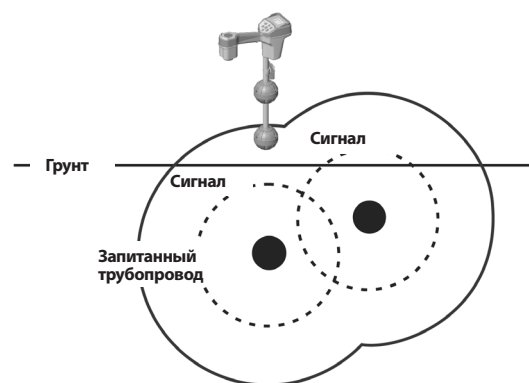
8.2 Замечания о точности

Измерение глубины и мощности сигнала выполняются на основе мощности сигнала, полученного прибором Scout. Помните, что прибор Scout использует над землей для измерения электромагнитных полей, излучаемых подземными магистралями (электрическими проводниками, например, металлическими кабелями и трубами) или зондами (активными, излучающими сигнал маяками). Если электромагнитные поля простые и неискаженные, тогда распознаваемые поля дают представление о подземном объекте.

Если такие поля искажены или представляют собой несколько взаимодействующих полей, это приводит к неточности определения местоположения трассы с помощью прибора Scout. Поиск местоположения трасс – это не точная наука. От оператора требуется формирование суждений и обзор всей имеющейся информации, помимо предоставляемых прибором показаний. Прибор Scout предоставляет больше информации пользователю, но от оператора зависит правильная интерпретация этих данных. Ни один из производителей трассоискателей не требует от оператора пользоваться только информацией от выпускаемых ими приборов.

Условия, в которых точность обнаружения должна проверяться:

- **При наличии других трубопроводов или магистралей коммунального снабжения.** “Увод сигнала в сторону в соседние магистрали” может вызывать искажение электромагнитных полей и приводит к отображению этих магистралей вместо требуемых. По возможности используйте низкие частоты и исключайте все соединения между двумя магистралями.



- **При использовании передатчика в индуктивном режиме.** Магистраль получает слабый сигнал. Там, где возможно, используйте прямое соединение.
- **При наличии на магистрали тройников, поворотов или стыков.** Могут возникать искажения сигнала.
- **Когда мощность сигнала мала.** Сильный сигнал необходим для точного определения местоположения трассы.

- **Когда условия в грунте меняются.** Экстремальные условия влажности, т.е. слишком сухой или перенасыщенный влагой грунт, могут влиять на измерения. Например, земля на морском побережье, насыщенная соленой водой, будет сильно экранировать сигнал и препятствовать поиску.

9. Транспортировка и хранение

Перед транспортировкой прибора следует убедиться, что его питание выключено для экономии энергии батареи.

Перед транспортировкой следует проверить, что прибор надежно закреплен, не перемещается в упаковке, а незакрепленное оборудование не наносит по нему удары.

Прибор Scout следует хранить в сухом прохладном месте.

Перед тем, как поставить прибор Scout на длительное хранение, обязательно выньте из него батареи.

10. Установка/пользование принадлежностями

Прибор Scout поставляется с маркерами, которые можно использовать для маркировки места расположения полюса или зонда над землей. Имеется два (2) красных маркера для маркировки полюсов и один (1) желтый маркер для маркировки зонда.

Если вам нужна дальнейшая помощь, пожалуйста, обратитесь к вашему дилеру или к представителю компании RIDGID.

11. Техническое обслуживание и чистка

⚠ ВНИМАНИЕ

1. **Необходимо содержать прибор Scout в чистоте, для этого его следует вытирать влажной тряпкой, смоченной жидким моющим средством. Запрещается погружать прибор в воду.**
2. **При чистке прибора не следует использовать царапающие или абразивные инструменты или материалы, поскольку они могут неустранимо поцарапать дисплей. Для чистки любых деталей системы ЗАПРЕЩАЕТСЯ ИСПОЛЬЗОВАТЬ РАСТВОРИТЕЛИ. Такие вещества, как ацетон и другие сильные химикаты, могут вызвать появление трещин на корпусе.**

12. Поиск неисправных деталей

Советы по устранению неисправностей см. в Инструкции по поиску и устранению неисправностей в конце данного руководства. Если необходимо, обратитесь в Ridge Tool или к вашему дилеру для получения дополнительной информации и помощи.

13. Обслуживание и ремонт

⚠ ВНИМАНИЕ

Инструмент следует направить в независимый авторизованный сервис-центр RIDGID.

14. Инструкция по поиску и устранению неисправностей

ПРОБЛЕМА	ВОЗМОЖНАЯ ПРИЧИНА И ЕЕ МЕСТОПОЛОЖЕНИЕ
Прибор Scout блокируется во время использования.	Выключите, а затем вновь включите питание устройства. Если выключить прибор не удастся, извлеките из него батареи питания.
При обнаружении трассы линии совершают “скачки” по всему экрану на микрокарте.	Это означает, что прибор Scout не принимает сигнал, или имеются помехи.
	Убедитесь, что передатчик надежно подсоединен и заземлен. Направьте прибор Scout на любой из проводов передатчика, чтобы убедиться, что измерительный контур полностью замкнут.
	Попробуйте установить более высокую частоту.
	Попытайтесь выявить источник шума и устранить его.
При поиске зонда линии совершают “скачки” по всему экрану.	Проверьте батареи внутри зонда и убедитесь, что они находятся в рабочем состоянии.
	Проверьте сигнал, поместив нижнюю антенну ближе к зонду. Примечание – сигналы, излучаемые зондами, с трудом проникают через трубопроводы из чугуна и ковкого чугуна.
Неодинаковые расстояния между зондом и каждым полюсом.	Возможно, зонд наклонен или находится в переходной муфте между чугунным и пластмассовым трубопроводами.
Прибор работает время от времени, питание не выключается.	Возможно, разряжены батареи. Замените батареи на новые и включите питание.
При включении прибора дисплей совершенно темный или очень светлый.	Попробуйте выключить, а затем вновь включить питание устройства.
	Отрегулируйте контраст экрана ЖК.
Отсутствует звуковой сигнал.	Отрегулируйте уровень звука в меню звука.
Прибор Scout не принимает сигнал.	Проверьте, правильно ли установлены рабочий режим и частота.
Прибор не включается.	Проверьте ориентацию установленных батарей. Проверьте, заряжены ли батареи. Проверьте исправность контактов батарей. Возможно, на приборе перегорел предохранитель (требуется обслуживание на заводе-изготовителе или в сервисном центре).

15. Технические характеристики

Вес с батареями.....	1,4 кг
Вес без батарей.....	1 кг
Размеры	
Длина.....	28,5 см
Ширина.....	11,0 см
Высота.....	56,0 см
Источник электропитания	
4 батареи С-типа, 1,5 В щелочные (ANSI/NEDA 14 А, IEC LR14) или аккумуляторы 1,2 В NiMH или NiCad	
Номинальное напряжение электропитания: 6 В, 550 мА	
Рабочая среда	
Температура.....	от 20°C до 50°C
Влажность.....	5 - 95 % отн. влажности
Температура хранения.....	от -20°C до 60°C
Стандартные частоты	
Зонд.....	512 Гц, 640 Гц, 874 Гц, 33 кГц
Обнаружение активной магистрали.....	512 Гц, 8 кГц, 33 кГц
Обнаружение пассивной магистрали	60 Гц / 50 Гц

Настройки, устанавливаемые по умолчанию

Настройки по умолчанию для локатора:
 Единицы измерения глубины = Метры и сантиметры
 Громкость звука = 1 (одна настройка выше уровня глушения звука)
 Подсветка дисплея = Авто

Стандартное оборудование

- Локатор Scout
- Маркеры и держатель мачты
- 2 руководства по эксплуатации двигателя: США + Европа
- 4 элемента питания С-типа (щелочных)
- Видео PAL

Дополнительные принадлежности






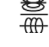

- Дополнительные маркеры полюс/зонд
- Передатчик NaviTrack
- Индукционный зажим
- Зонд с аккумулятором
- Поплавков

16. Расшифровка пиктограмм

ЗНАЧКИ НА ДИСПЛЕЕ

-  Частота зонда
-  Частота активного обнаружения трассы
-  Частота пассивного (АС) обнаружения трассы
-  Уровень звука
-  Уровень заряда аккумуляторной батареи
-  Глубина
-  Горизонтальный угломер
-  Интенсивность сигнала
-  Меню Инструменты
-  Контраст ЖКИ-дисплея
-  Подсветка ЖКИ-дисплея

ЗНАЧКИ КЛАВИШНОЙ ПАНЕЛИ

-  Навигация по меню
-  Сброс тона звучания / выбор опций меню
-  Навигация по меню / принудительное измерение глубины (нажмите и удерживайте в течение 3 с)
-  Кнопка включения/выключения питания
-  Клавиша меню
-  Клавиша Зонд / Обнаружение / Частотный режим
-  Кнопка регулировки громкости звука

SK

NaviTrack Scout

Návod na obsluhu

Preklad pôvodného návodu na použitie



VŠEOBECNÉ BEZPEČNOSTNÉ INFORMÁCIE

VÝSTRAHA! Prečítajte si a porozumejte všetkým pokynom. Nedodržanie všetkých nižšie uvedených pokynov môže mať za následok úraz elektrickým prúdom, požiar a/alebo vážne zranenie osôb.

**PREČÍTAJTE SI PRILOŽENÉ BEZPEČNOSTNÉ POKYNY.
TIETO POKYNY USCHOVAJTE!**

V prípade potreby bude k tomuto návodu pripojené ES Prehlásenie o zhode (890-011-320.10) ako samostatný materiál.

Bezpečnostné opatrenia pri manipulácii s batériou

- **Používajte len batérie predpísanej veľkosti a typu. Nepoužívajte súčasne viaceré typy monočlánkov (napr. nepoužívajte súčasne alkalické články a nabíjateľné akumulátory).** Nepoužívajte súčasne čiastočne vybité a úplne nabité monočlánky (napr. nepoužívajte súčasne staré a nové články).
- **Akumulátory nabíjajte v nabíjačkách, ktoré predpísal výrobca akumulátorov.** Pri nabíjaní v nesprávnom type nabíjačky sa akumulátory môžu prehrievať a prasknúť.
- Batérie zlikvidujte vhodným spôsobom. Ak vystavíte batériu účinkom vysokých teplôt, môžu explodovať. Nehádzte ich do ohňa. V niektorých krajinách platia predpisy o likvidácii akumulátorov. Prosím, dodržujte všetky platné predpisy.

1. Používanie zariadenia Scout a starostlivosť o neho

- **Zariadenie používajte len v súlade s pokynmi.** Scout prevádzkujte iba vtedy, keď ste absolvovali predpísané školenie a prečítali ste si návod na obsluhu.
- **Antény neponárajte do vody.** Prístroj uchovávajte na suchom mieste. Tým sa zníži riziko zásahu elektrickým prúdom a poškodenia prístroja.
- **Skontrolujte, či nie sú poškodené dielce a či nenastali iné okolnosti, ktoré by mohli mať vplyv na činnosť prístroja Scout.** Poškodený prístroj treba pred použitím opraviť. Mnoho úrazov nastáva z dôvodu nedostatočnej údržby náradia.
- **Používajte iba také príslušenstvo, ktoré pre prístroj Scout odporúča jeho výrobca.** Príslušenstvo vhodné pre jeden prístroj sa môže stať nebezpečným pri používaní na inom prístroji.
- **Rukoväte udržiavajte suché a čisté, bez zvyškov oleja a maziva. Umožňuje to lepšie ovládanie prístroja.**
- **Prístroj chráňte pred nadmerným teplom.** Výrobok by mal byť umiestnený v dostatočnej vzdialenosti od zdrojov tepla, ako sú napríklad radiátory, regenerátory tepla, kachle alebo iné výrobky (vrátane zosilňovačov), ktoré produkujú teplo.

1.1 Servis

- **Diagnostický servis prístroja môže vykonávať iba kvalifikovaný servisný technik.** Ak údržbu alebo servis vykonáva nekvalifikovaný pracovník, hrozí riziko zranenia.

- **Prístroj dôkladne čistite.** Pred čistením vyberte batérie. Nepoužívajte kvapalné alebo aerosolové čističe. Na čistenie používajte vlhkú handričku.
- **Vykonajte kontrolu bezpečnej prevádzky.** Po skončení servisu alebo opravy tohto výrobku požiadajte servisného technika, aby vykonal bezpečnostnú kontrolu a tak sa uistil, či je výrobok v správnom prevádzkovom stave.
- **Poškodenie výrobku, na ktorom treba vykonať servis.** Za ktorejkoľvek z nasledujúcich podmienok vyberte batérie a obráťte sa so servisom na kvalifikovaný servisný personál:
 - Ak na výrobok vytekla kvapalina alebo naň spadli iné predmety.
 - Ak výrobok nepracuje normálne v súlade s pokynmi na obsluhu.
 - Ak výrobok padol na zem alebo ak sa akýmkoľvek spôsobom poškodil.
 - Ak na výrobku pozorujete zreteľnú zmenu výkonu.

V písomnom styku, prosím, uveďte všetky informácie na typovom štítku prístroja, vrátane čísla modelu a výrobného čísla.

1.2 Dôležitá poznámka

Scout je diagnostický nástroj, ktorý sníma prítomnosť elektromagnetických polí vyžarovaných podzemnými objektmi. Účelom prístroja je pomôcť používateľovi pri lokalizácii týchto objektov a to tak, že prístroj rozoznáva charakteristiky siločiar polí, ktoré zobrazí na obrazovke. Siločiar elektromagnetických polí môžu byť skreslené a môžu na nich vplyvať rôzne rušenia. Pred začiatkom výkopových prác je preto dôležité si overiť polohu podzemných objektov.

V jednej oblasti sa môže nachádzať súčasne niekoľko podzemných infraštruktúr.

Dbajte na dodržiavanie miestnych predpisov.

Odhalenie infraštruktúry je jediným spôsobom, ako overiť jej existenciu, umiestnenie a hĺbku.

Spoločnosť Ridge Tool Co, jej sesterské organizácie a dodávatelia nebudú niesť zodpovednosť za žiadne zranenia, priame či nepriame, náhodné alebo následné škody ani škody spôsobené v dôsledku používania prístroja Scout. V jednej oblasti sa môže nachádzať niekoľko podzemných infraštruktúr. Dbajte na dodržiavanie miestnych predpisov.

2. Scout, úvod

Sonda Scout™ a lokalizátor vedení používajú viacsmerové antény a pokročilé spracovanie signálu, čo umožňuje rýchle, presné a jednoduché lokalizovanie sond a podzemných vedení.

2.1 Aké sú jedinečné charakteristiky tohto prístroja?

Pokročilá technológia Scout ponúka viacero jedinečných charakteristík, ktorými sa prístroj odlišuje od konvenčných lokalizátorov:

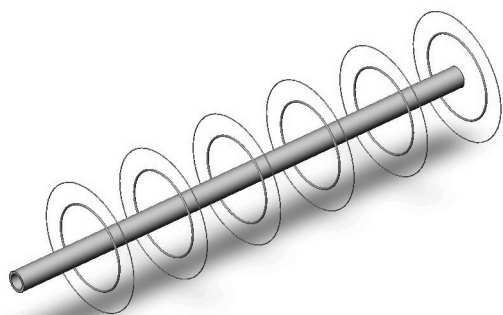
- Systém viacsmerovej antény.
- Zobrazenie s mikromapou.
- Označenie výraznej charakteristiky signálu.

2.2 Na čo prístroj slúži?

Scout sa používa nad zemou na snímanie elektromagnetických polí vyžarovaných z podzemných alebo skrytých vedení (elektrické vodiče, ako sú kovové káble a potrubia) alebo zo sond (aktívne vysielacie majáky). Keď polia majú jednoduchý, neskreslený tvar, nasnímané polia sú reprezentatívne pre podzemný objekt. Scout lokalizuje vodivé predmety, ktoré vyžarujú pole. Prístroj sa nepoužíva na priame snímanie podzemných objektov.

Rozlišujeme dva typy elektrických polí, ktoré vyžarujú podzemné objekty: prvý typ vyžarujú dlhé vodivé objekty, ako napríklad vodiče pod napätím, káble inšpekčnej kamery alebo potrubia.

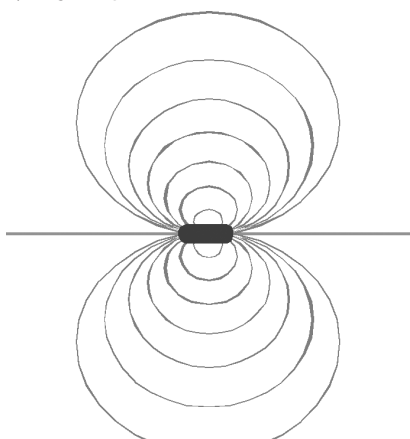
Okolo týchto predmetov vzniká dlhé valcové pole, u ktorého sa používa proces tzv. snímania vedenia.



Pole, ktoré vyžaruje vedenie pod napätím.

(Pasívne, AC snímanie je iba špeciálny prípad, kedy je vedenie uvedené pod elektrické napätie.)

U poľa druhého typu sa používajú sondy (nazývajú sa aj vysielacie, majáky alebo aktívne sondy), ktoré vyžarujú pole odlišného tvaru a prístroj Scout je naprogramovaný na meranie a zobrazenie tohto typu poľa. Komplexnejšie pole okolo sondy sa nazýva dipólové pole, ktoré je také isté ako pole, ktoré vytvára tyčový magnet a planéta Zem.



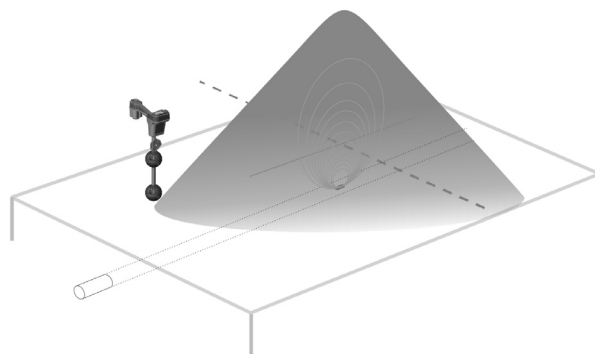
Dipólové pole, ktoré vyžaruje sonda.

Elektromagnetické polia majú tri (3) dôležité vlastnosti: frekvenciu, intenzitu a uhol (smer). Na rozdiel od bežných lokalizátorov, ktoré dokážu iba merať intenzitu poľa v smere jednotlivéj antény (antén), prístroj Scout meria intenzitu signálu i uhly poľa v trojrozmernom priestore (3D). Táto rozšírená schopnosť umožňuje zobrazenie mapy.

Skúsenejší pracovník obsluhy môže tieto dodatočné informácie využiť na urýchlenie procesu lokalizácie a na vyriešenie zložitých podmienok lokalizácie. Príležitostný používateľ alebo nováčik zase dokáže jednoducho lokalizovať iba pomocou intenzity signálu.

Pravidlom číslo jedna pri lokalizácii pomocou prístroja Scout je získať vysoké hodnoty! –

Maximálna intenzita signálu je kľúčovým faktorom hlavnej metódy lokalizácie.



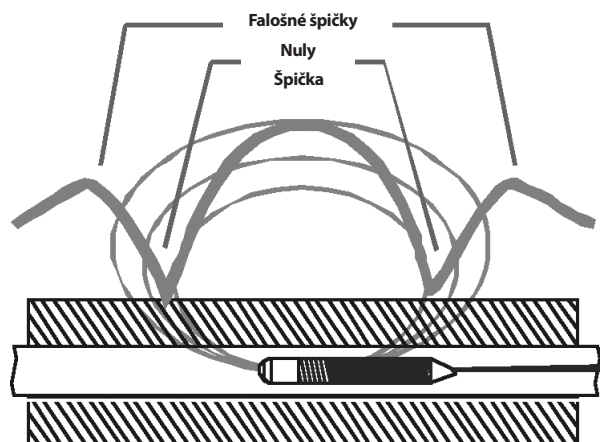
Príklad toho, ako Scout meria maximálny signál priamo nad sondou.

Pri snímaní vedenia alebo lokalizácii sondy je dosiahnutá maximálna intenzita signálu nad cieľom. Nad cieľom sa zobrazí aj hĺbka.

2.3 Aká je výhoda viacsmerového merania pomocou Scout?

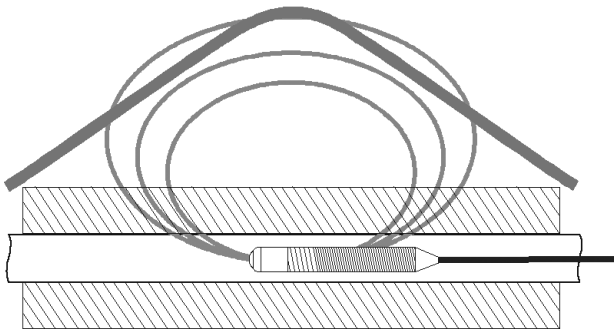
Zobrazenie signálu pomocou viacsmerových antén ponúka jednoznačné výhody:

1. Signál sa vždy zosilňuje, keď sa používateľ blíži k cieľu.
2. Eliminuje výskyt nulového signálu a falošných špičkových hodnôt. Signál z konvenčného lokalizátora dosahuje špičku, nulovú hodnotu a menšiu špičku. Pracovník obsluhy tak môže nesprávne vyhodnotiť menšiu špičkovú hodnotu ako cieľ („falošné“ špičky). Scout identifikuje iba jednu špičku, ktorá upozorní používateľa na polohu cieľa.



Signál sondy, ako ho „vidí“ konvenčný lokalizátor. Hlavná špička v strede a dve falošné špičky sú mimo dvoch nulových hodnôt.

Špička



Signál sondy, ako ho „vidí“ Scout. Iba jedna špička, žiadne nuly.

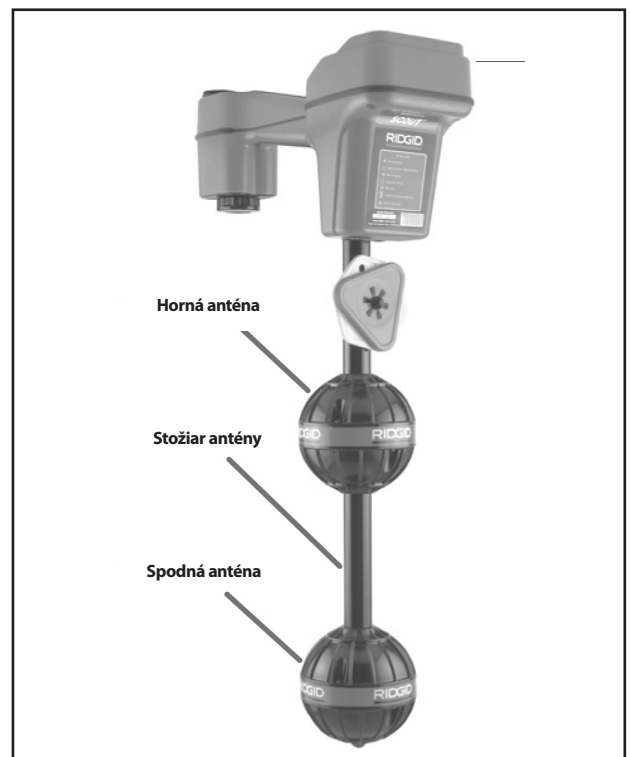
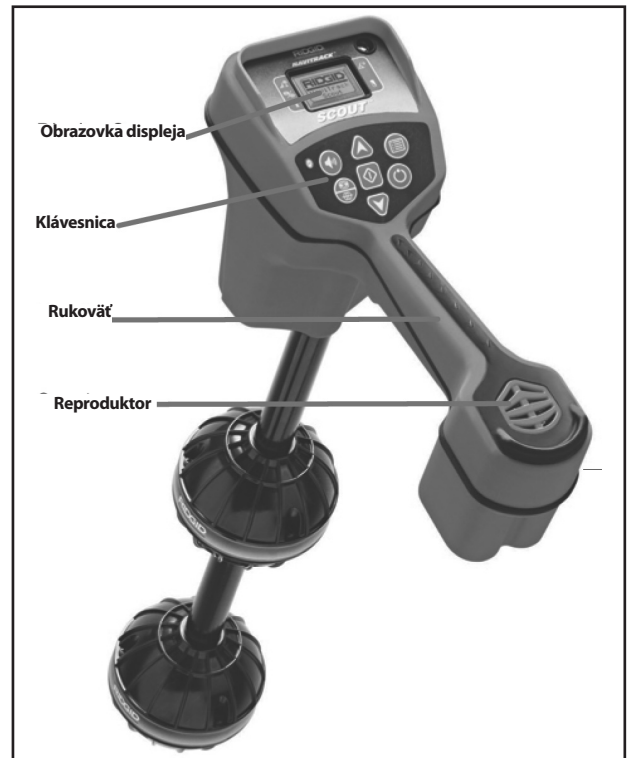
3. Spôsob držania prístroja nemá vplyv na intenzitu signálu. Používateľ sa k cieľu môže priblížiť z ktoréhokoľvek smeru a nepotrebuje poznať polohu potrubia alebo vodiča.
4. Medzi ďalšie nástroje na identifikáciu a riešenie „ťažkých“ lokalizácií patrí grafická mikromapa a uhlový indikátor, ktorý pomôže interpretovať charakteristiku signálu.

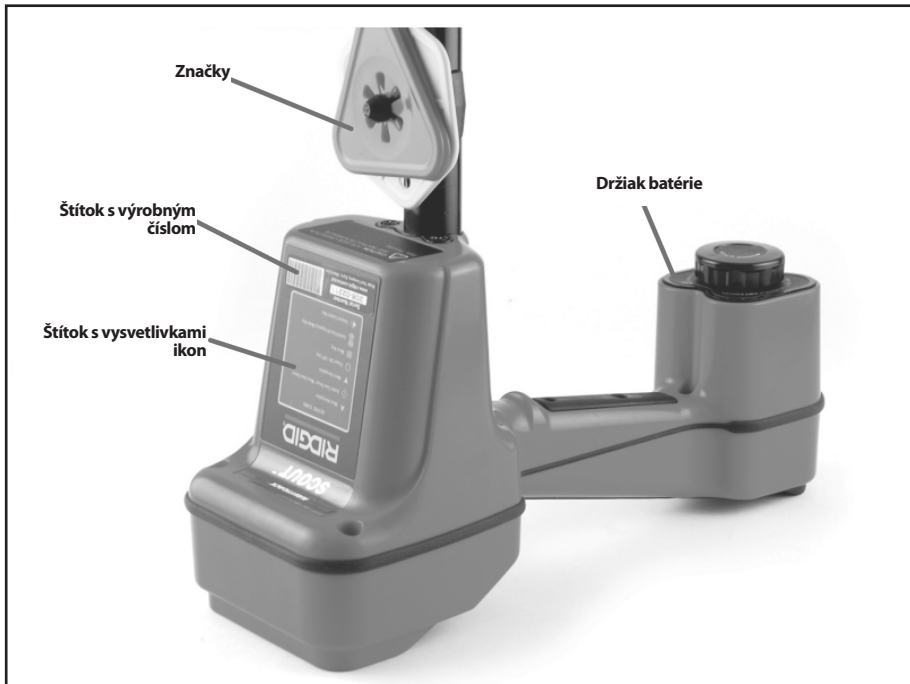
2.4 Aká je výhoda mikromapy?

Mapa obsahuje grafické zobrazenie charakteristiky signálu. Ide o pohľad zhora na podzemný signál, ktorý sa zobrazuje na obrazovke. Zobrazenie sa používa ako pomôcka pri sledovaní podzemných vedení a možno ho použiť na lepšiu lokalizáciu sond. Displej možno použiť aj na získanie väčšieho množstva informácií v komplexných procesoch lokalizácie.

Počas pohybu lokalizátora nad zemou Scout prechádza cez signál, ktorý vyžarujú podzemné objekty. To používateľovi umožňuje vidieť vizualizácie na obrazovke a potom ich označiť. Konvenčné lokalizátory nedokážu mapovať podzemný signál, pretože ich antény nedokážu zachytiť úplný tvar signálu.

3. Súčasti prístroja Scout

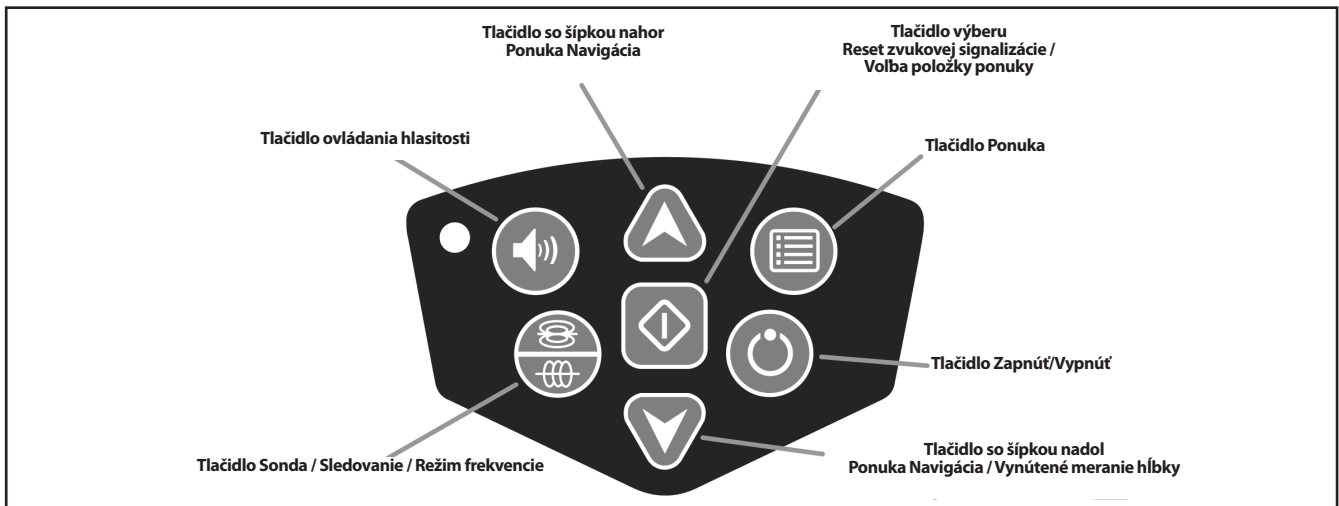




Obrazovka displeja



Klávesnica



Tlačidlo ovládania hlasitosti - otvorí a zavrie ponuku hlasitosti.

Tlačidlo Sonda/Sledovanie/Režim frekvencie - zapína aktívne frekvencie a funkcie.

Tlačidlo so šípkou nahor - posunie nahor v položkách ponuky.

Tlačidlo výberu – vyberie zvýraznenú položku v otvorenej ponuke.

Tlačidlo so šípkou nadol - posunie nadol v položkách ponuky.

Tlačidlo Ponuka - otvorí/zavrie ponuku.

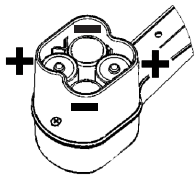
Tlačidlo Zap./Vyp. - zapne alebo vypne prístroj Scout.

4. Začíname

4.1 Inštalácia/výmena batérií

Pri inštalácii batérií prístroj Scout obráťte, čím získate prístup k priestoru batérií. Otočte gombík na kryte priestoru batérií v smere hodinových ručičiek. Zatiahnite za gombík a tak vyberte kryt. Batérie založte podľa obrázku na vnútornom štítku a uistite sa, že majú dobrý kontakt.

Založte kryt batérií do prístroja, otočte gombík doprava a zároveň kryt jemne zatlačte, čím ho zavriete. Kryt batérií možno nainštalovať v oboch smeroch.



Prístroj Scout po zapnutí vykoná test batérií, ktorý trvá niekoľko sekúnd. Až do skončenia testu sa úroveň nabitia batérií zobrazuje ako „vybitá“.

⚠ VÝSTRAHA


Nedovoľte, aby do priestoru batérií prenikli nečistoty. Nečistoty v priestore batérií môžu spôsobiť skratovanie kontaktov batérií, rýchle vybitie batérií a napokon únik elektrolytu alebo riziko požiaru.

4.2 Čas prevádzky


Pri použití alkalických monočlánkov je typická doba činnosti prístroja Scout 12 až 24 hodín, v závislosti od hlasitosti a od toho, ako často sa zapínalo podsvietenie displeja. Na čas prevádzky majú vplyv aj ďalšie faktory, ako je chemické zloženie batérie (mnoho z nových, výkonných batérií, napr. značka „Duracell® ULTRA“ vydrží o 10% - 20% dlhšie ako konvenčné alkalické články pri aplikáciách s vysokou spotrebou). Prevádzka pri nízkej teplote takisto znižuje životnosť batérií.

Prístroj Scout sa automaticky vypne po 1 hodine, ak sa počas tejto doby nestláčali žiadne tlačidlá. Tým šetrí batérie. Ak chcete prístroj opäť používať, jednoducho ho znovu zapnite.

4.3 Zapnutie a vypnutie

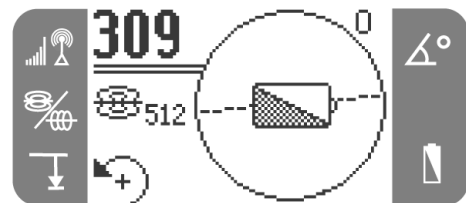
Napájanie zapnite stlačením tlačidla Zap./Vyp.  na klávesnici. Zobrazí sa logo RIDGID® a v spodnom pravom rohu obrazovky sa zobrazí číslo verzie softvéru.



Prístroj vypnite stlačením a uvoľnením tlačidla Zap./Vyp.  na klávesnici. Buďte si vedomí toho, že prístroj sa zapína/vypína niekoľko sekúnd.

4.4 Výstraha - nízka kapacita batérie

Keď sa kapacita batérie zníži, v oblasti mapy na obrazovke sa zobrazí ikona batérie. Znamená to, že batérie treba vymeniť a prístroj sa zakrátko vypne.



Pred úplným vypnutím prístroja sa začne sekvencia vypínania, ktorú nemožno prerušiť.

Napätie v nabíjateľných akumulátoroch môže v niektorých prípadoch klesnúť tak rýchlo, že prístroj sa vypne. Prístroj sa vypne a znovu zapne. V takom prípade iba vymeňte batérie a prístroj znovu zapnite.

5. Nastavenie

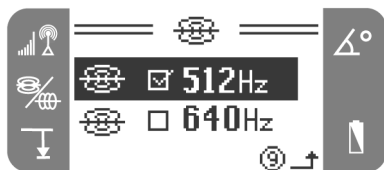
Po zapnutí prístroja Scout treba ďalej nastaviť potrebné frekvencie tak, aby sa zladili s frekvenciou zariadenia, ktoré treba lokalizovať. Frekvencie sa vyberajú zo zoznamu v ponuke.

1. Stlačením tlačidla Ponuka zvýrazníte položku a tlačidlom výberu aktivujete položku:



2. Pomocou šípiek nahor a nadol zvýrazníte frekvenciu, ktorá bude súhlasíť s frekvenciou používanou v sonde alebo vo vysieláči. Stlačením tlačidla výberu začiarknete políčko. Pozrite si Položky ponuky, kde sú uvedené ďalšie informácie. Stlačením tlačidla Ponuka zobrazíte hlavnú obrazovku.





⚠ VÝSTRAHA

Uistite sa, že zvolená frekvencia vyhovuje pre požadovaný účel. Frekvencie 512 a 33 sú k dispozícii ako frekvencia sondy, A frekvencia na sledovanie vedenia. Používanie frekvencie sondy na sledovanie vedenia alebo naopak môže spôsobiť, že prístroj Scout zobrazí nesprávne informácie o hĺbke.

- Teraz stlačte tlačidlo sonda/sledovanie/režim frekvencie, aby sa postupne zobrazili aktívne frekvencie a režimy. Dávajte pozor na ikony na obrazovke, aby ste videli, v akom režime pracuje prístroj Scout.



- Ak treba nastaviť hĺbku, automatické podsvietenie alebo kontrast LCD displeja, zvýraznite príslušnú položku v časti Nástroje v ponuke a pomocou tlačidla výberu vykonajte potrebné zmeny.



5.1 Položky ponuky

Frekvencie režimu sondy		512 Hz 640 Hz 874 Hz 33 Hz
Frekvencie režimu sledovania vedenia		50 Hz (pasívna) 60 Hz (pasívna) 512 Hz 8 kHz 33 kHz
Ponuka Nástroje		Stopy/metre Automatické podsvietenie Kontrast LCD displeja

5.2 Zvuková signalizácia v prístroji Scout

Zvuk prístroja súvisí so zvyšovaním alebo znižovaním intenzity signálu. Pri zosilňovaní signálu sa výška a hlasitosť zvuku zvyšuje. Pri zoslabovaní signálu sa výška a hlasitosť zvuku znižuje. Pri zosilňovaní signálu sa zvyšuje tón a hlasitosť zvuku, aby tak navádzal pracovníka obsluhy na miesto signálu s maximálnou intenzitou. Ak intenzita signálu klesne, obnoví sa základný zvuk (tremolo), ako keby prístroj neregistroval žiadny signál. Scout používa automatický prírastok hodnoty. Ak sa prírastok zvýši alebo zníži, intenzita zvuku sa zvýši alebo zníži. Nastavte hlasitosť zvuku stlačením tlačidla zvuku.



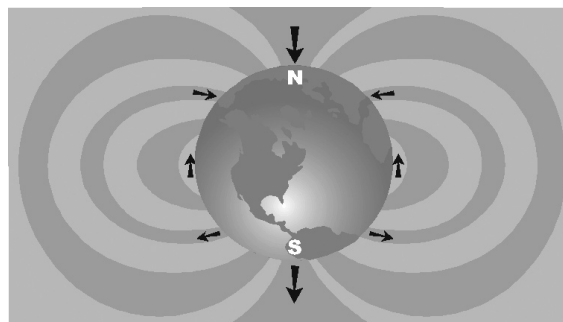
Hlasitosť sa zmení po každom stlačení tlačidla zvuku. Na úpravu hlasitosti možno použiť aj tlačidlá so šípkou nahor alebo nadol. Stlačením tlačidla výberu zavriete túto obrazovku.



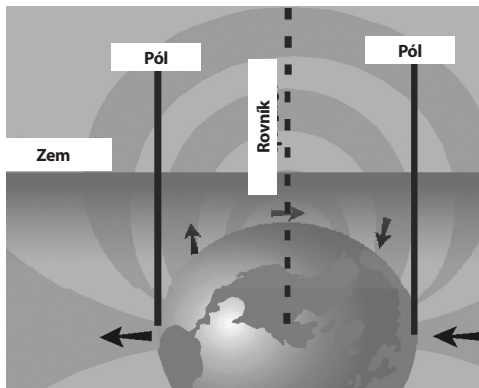
POZNÁMKA Stlačením tlačidla výberu počas normálnej prevádzky sa výška tónu nastaví na strednú úroveň.

5.3 Prehľad - pochopenie činnosti sond a prístroja Scout

Sondy (nazývajú sa aj vysielače, majáky alebo aktívne sondy) vyzarujú elektromagnetické pole, ktoré je veľmi podobné magnetickému poľu Zeme.



Ak by sa planéta Zem otočila nabok, jej magnetické pole by sa veľmi podobalo poľu sondy. Lokalizátor Scout dokáže zmerať tvar (uhol) siločiar poľa sondy a dokáže jednoznačne identifikovať charakteristiky týchto siločiar. Medzi tri dôležité charakteristiky patria dva **PÓLY** a **ROVNÍK**. Uhol signálu na pólach je 90 stupňov (vertikálny). Na rovníku je uhol signálu 0 (horizontálny). Póly sú body v priestore, kým rovník vedie naokolo sondy. Keďže tieto jednoznačné charakteristiky sú konštantné, možno ich používať na presnú lokalizáciu sondy.



Póly sú zvyčajne umiestnené tam, kde konvenčné lokalizátory nasnímajú „nulové hodnoty“, t.j. slepé miesta, ktoré vznikajú, keď cez ich antény prechádza signál vo vertikálnom smere. Rozdiel je v tom, že Scout dokáže „vidieť“ póly („nulové hodnoty“) a zobraziť ich polohu, **aj keď sa nenachádzate priamo nad nimi, a bez ohľadu nato, ako sú antény prístroja Scout orientované voči signálu.**

To je jeden z dôvodov, prečo je lokalizácia pomocou prístroja Scout omnoho jednoduchšia ako s konvenčnými lokalizátormi.

Sonda sa nachádza v bode, kde rovník prechádza priamo medzi dvoma pólmi.

5.4 Lokalizácia sondy

Prístroj Scout možno použiť na lokalizáciu signálu sondy (vysielača) v potrubí, ktorej polohu potom možno identifikovať nad zemou. Sondy možno umiestniť do problémového bodu v potrubí pomocou tlačnej tyče kamery alebo pomocou kábla. Sondy možno do potrubia dopraviť aj v prúde kvapaliny.

Nasledujúci text vychádza z predpokladu, že sonda je umiestnená vo vodorovnom potrubí, terén je približne vodorovný a stožiar antény prístroja Scout je umiestnený vo vertikálnej polohe.

DŮLEŽITÉ Intenzita signálu je kľúčovým faktorom pri identifikácii polohy sondy. Predtým než označíte oblasť výkopu, **MUSÍTE dbať** nato, aby ste určili maximálnu hodnotu intenzity signálu.

5.4.1 Pri lokalizácii sondy najskôr pripravte proces lokalizácie:

- **Pred** zavedením sondy do potrubia si overte, že Scout je funkčný a prijíma signál sondy.
- Keď je sonda pripravená a vysiela signál, aktivujte ju a na prístroji Scout nastavte rovnakú frekvenciu ako je frekvencia sondy. Uistite sa, že na prístroji sa zobrazuje ikona režimu sondy

▲ VÝSTRAHA

Uistite sa, že zvolená frekvencia vyhovuje pre požadovaný účel. Frekvencie 512 a 33 sú k dispozícii ako frekvencia sondy, A frekvencia na sledovanie vedenia. Používanie frekvencie sondy na sledovanie vedenia alebo naopak môže spôsobiť, že prístroj Scout zobrazí nesprávne informácie o hĺbke.

- Prejdite do bodu, kde sa pravdepodobne nachádza sonda. Ak je smer potrubia neznámy, zatlačte sondu do kratšej vzdialenosti do vedenia (na začiatok stačí cca 5 m od ústia potrubia).

5.4.2 Na lokalizáciu sondy potom použijete niektorú z nižšie uvedených metód:

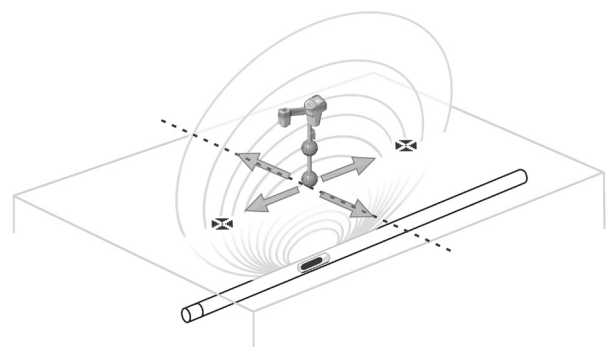
Metóda 1 - Maximalizácia intenzity signálu

1. Prístroj Scout držte tak, aby stožiar antény smeroval od vás. Pohybujte stožiarom antény v predpokladanom smere pohybu sondy a zároveň pozorujte intenzitu signálu a počúvajte zvuk. Signál bude najsilnejší, keď stožiar bude ukazovať smerom k sonde.
2. Spustíte prístroj Scout do normálnej prevádzkovej polohy (stožiar antény je vo zvislej polohe) a kráčajte v smere sondy. Keď sa budete bližieť k sonde, intenzita signálu sa bude zvyšovať a bude stúpať hlasitosť a výška tónu zvukovej signalizácie. Použite intenzitu signálu a zvuk **na maximalizáciu signálu.**



3. Po identifikácii maxima umiestnite prístroj Scout v blízkosti zeme nad špičkou a pohybujte vo všetkých smeroch, aby ste sa uistili, že intenzita signálu klesá.

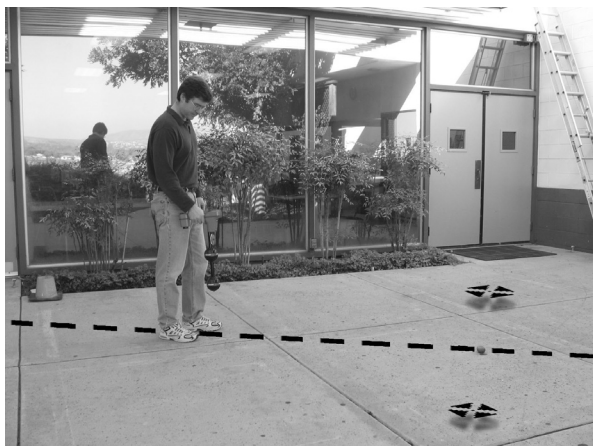
POZNÁMKA Ak je sonda naklonená, pri najvyššej intenzite signálu môže byť čiara rovníka v inej polohe (pozrite si časť Naklonená sonda).



Metóda 2 – Sledovanie rovníka - následná maximalizácia

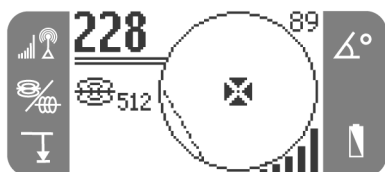
1. Táto metóda najlepšie funguje na otvorených priestranstvách bez prekážok, **keď sa očakáva, že sonda bude v horizontálnej polohe.** Pohybujte stožiarom antény a kráčajte v smere maximálnej intenzity signálu, ako pri metóde 1.
2. Keď sa na obrazovke trvalo zobrazuje čiara rovníka, sledujte ju tak, aby sa intenzita signálu zosilňovala. Keď je dosiahnutá maximálna intenzita signálu, pohybujte prístrojom Scout pozdĺž rovníka **a vo všetkých smeroch**, aby ste sa uistili, že prístroj sa nachádza na špičke.

Keď je sonda naklonená, nájdite maximálnu intenzitu signálu, keďže sonda sa bude nachádzať na tomto mieste.



Overenie nálezu.

1. V bode maximálnej intenzity signálu, keď je stožiar antény vo vertikálnej polohe, pohybujte prístrojom Scout v smere kolmom na čiaru rovníka na obrazovke. Keď sa zobrazí ikona pólu, pohybujte prístrojom Scout tak, aby sa ikona pólu umiestnila do stredu nitkového kríža a **spodná guľa antény bude umiestnená** na zemi. Na tomto mieste na zemi umiestnite jednu oranžovú trojuholníkovú značku.



Zobrazenie, keď sa Scout nachádza na póle.

2. Presuňte Scout späť cez čiaru rovníka na opačný pól. Nitkový kríž umiestnite na stred ikony druhého pólu a označte jeho polohu rovnako ako v predchádzajúcom kroku.
3. Prejdite späť na miesto s **maximálnou intenzitou signálu**. Toto miesto na zemi označte žltou značkou v tvare šesťuholníka. Spodnou guľou antény pomaly pohybujte v smere od žltej značky vo všetkých smeroch a pozorujte pritom zobrazenie intenzity signálu. Intenzita signálu by mala byť najvyššia v mieste priamo nad sondou.
4. Overte si, či sú všetky tri značky vyrovnané, a či je žltá značka v tvare šesťuholníka približne v polovici medzi značkami pólov.

Ak žltá značka nie je v strede, pozrite si časť o naklonených sondách.

DŮLEŽITÉ Ak sa nachádzate na rovníku, NEZNAMENÁ to, že sa nachádzate nad sondou! Nezabudnite, že intenzita signálu je kľúčovým faktorom pri identifikácii polohy sondy. Musíte sa nachádzať v bode najvyššej intenzity signálu.

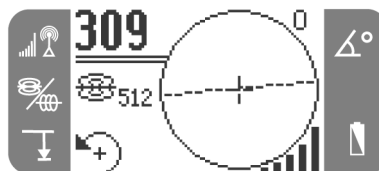
Na dosiahnutie čo najvyššej presnosti použite vodováhu. Počas označovania pólov a rovníka sa stožiar antény MUSÍ nachádzať vo zvislej polohe, inak ich poloha nebude správna!

5.5 Meranie hĺbky

Scout meria hĺbku porovnaním intenzity signálu na spodnej anténe so signálom na hornej anténe.

Hĺbka sa meria, keď sa spodná anténa dotýka zeme priamo nad zdrojom signálu.

1. Pri meraní hĺbky umiestnite lokalizátor na zem priamo nad sondou alebo nad vedením. Uistite sa, že uhlový indikátor zobrazuje hodnotu 5 stupňov alebo nižšiu. Potom pomaly otáčajte prístroj v smere šípky v **spodnej ľavej časti** obrazovky tak, aby sa zobrazila hodnota hĺbky.



Vodováha je užitočná pri meraní hĺbky, aby ste sa presvedčili, že stožiar antény je vo vertikálnej polohe.

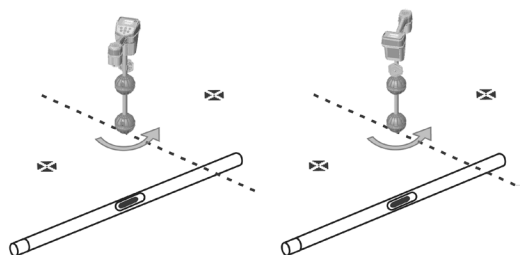
Aby ste dosiahli maximálnu intenzitu signálu a presnejšie meranie hĺbky, prístroj Scout treba otočiť tak, aby anténa bola umiestnená v smere signálu.

2. Hĺbka sa zobrazí v spodnom ľavom rohu.



3. **Funkcia vynútenia merania hĺbky** - Ak sa na uhlovom indikátore zobrazí hodnota vyššia ako 5 stupňov, prístroj Scout nenameria hĺbku. Stlačte a podržte tlačidlo so šípkou nadol. Tým sa nastaví nútené meranie hĺbky, ak možno zmerať hĺbku (pozrite si nasledujúcu časť o naklonených sondách).

Pri kontrole hĺbky vždy uskutočnite meranie, potom otočte Scout o 180 stupňov (polkruh) a vykonajte ďalšie meranie hĺbky. Uistite sa, že spodná guľa zostane v rovnakej polohe na zemi a že stožiar antény je umiestnený vo vertikálnej polohe. Ak sa namerané hodnoty hĺbky navzájom líšia o viac ako 10%, nastalo skreslenie a namerané hodnoty nie sú vieryhodné.



5.6 Tipy na lokalizáciu sondy

- Ak je to možné, použite zvukovú signalizáciu, ktorá vám pomôže naviesť Scout na miesto s maximálnou intenzitou signálu.
- Ak pri prekročení rovníka nedosiahnete maximálnu intenzitu signálu, postupujte pozdĺž rovníka až do miesta s najvyššou intenzitou signálu. Ak nájdete rovník sondy (čiarkovaná čiara na obrazovke) NEZNAMENÁ to, že ste už našli sondu. Treba nájsť aj miesto s maximálnou intenzitou signálu. Ak je sonda veľmi vychýlená, rovník NEBUDE ležať priamo nad sondou a vzdialenosť od sondy k jednotlivým pólom nebude rovnaká. Ak je sonda naklonená, maximalizujte signál.
- Vždy si overte miesto s maximálnou intenzitou signálu. Overte si, čo sa zobrazuje na mape, okrem prípadov, kedy s istotou viete, že boli splnené všetky požadované podmienky. Zobrazenie mapy predpokladá tieto podmienky:

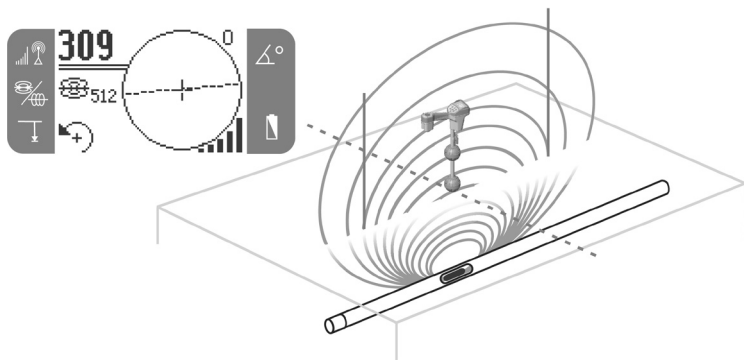
1. Povrch je rovný.
2. Sonda je umiestnená v rovnej polohe.
3. Lokalizátor Scout sa nachádza nad úrovňou zeme.
4. Lokalizátor Scout je umiestnený približne vo zvislej polohe a stožiar antény smeruje priamo nadol.

Ak tieto podmienky nie sú splnené, dbajte na maximalizáciu intenzity signálu. Vo všeobecnosti, ak sú tieto podmienky splnené a ak sa Scout nachádza v pásme, ktoré má šírku cca dvojnásobku „hĺbky“ zdroju signálu, mapa bude užitočná a presná. Túto skutočnosť si treba uvedomiť pri používaní mapy, ak sa cieľ alebo zdroj signálu nachádzajú vo veľmi malej hĺbke. Užitočná oblasť vyhľadávania iba pomocou mapy môže byť malá, ak je sonda umiestnená v extrémne malej hĺbke.

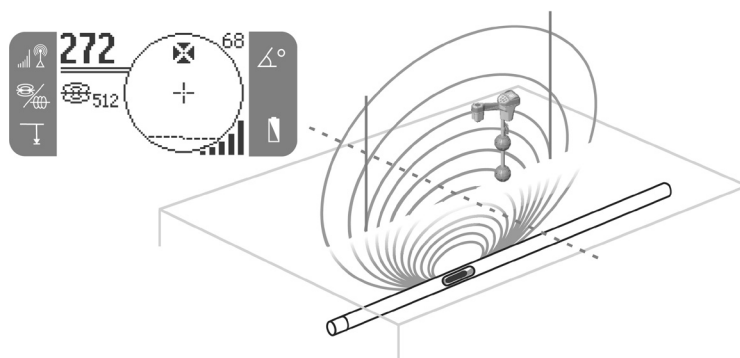
5.7 Naklonené sondy

Ak je sonda naklonená, jeden pól sa posunie bližšie ku sonde a druhý ďalej, takže sonda už nebude uložená v strede medzi oboma pólmi. Intenzita signálu bližšieho pólu bude oveľa vyššia ako u vzdialenejšieho pólu. V

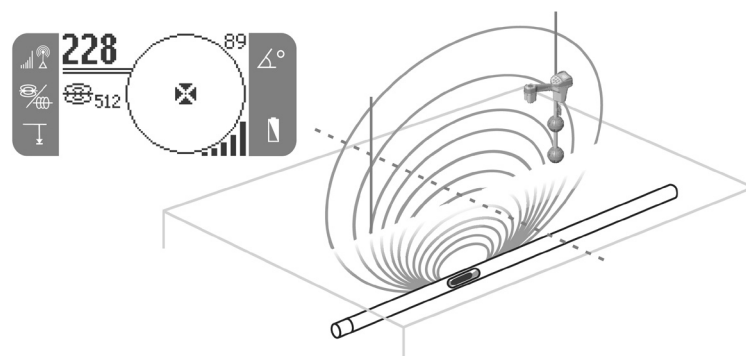
Mikromapa - Príklady – Režim sondy



Scout na rovníku

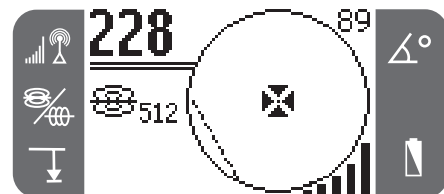


Scout opúšťa rovník a blíži sa k pólu.



Scout na póle

extrémnom prípade, ak sa sonda nakloní zvislo, jeden pól sa presunie do bodu priamo nad sondou a tento pól bude zároveň zodpovedať bodu maximálnej intenzity signálu. Druhý pól nebude vidieť. Preto možno lokalizovať sondu, aj keby sa naklonila do zvislého smeru (ak by napríklad zapadla do zlomu potrubia alebo do podzemnej nádrže). Ak je sonda umiestnená zvislo, na obrazovke bude vidieť jeden pól v bode maximálnej intenzity signálu.



Viacsmerové antény umožňujú meranie hĺbky, aj keď je sonda naklonená. V takom prípade treba použiť funkciu núteného merania hĺbky (pozrite si Meranie hĺbky).

6. Sledovanie vedenia pomocou prístroja Scout

Scout možno použiť aj na sledovanie potrubia alebo vedenia, aby sa tak dala na povrchu označiť trasa. Označenie identifikuje polohu vedenia, ktorému sa tak dá vyhnúť pri kopaní alebo počas opravy, či výmeny. Scout dokáže lokalizovať vedenia pod napätím na rôznych frekvenciách, alebo ho možno použiť v pasívnom režime, na lokalizáciu dlhých vodičov, ktorými prechádza signál. Podzemné vedenia sú uvedené pod napätie pomocou vysielča vo vedení. Potom sa sleduje tento aktívny signál pomocou prijímača, ako napríklad Scout.

1. K vedeniu pripojte vysielča podľa pokynov výrobcu.

„Vysielač“ je všeobecný názov akéhokoľvek zariadenia, ktoré generuje lokalizovateľný signál. Tento názov sa používa na popis sondy, ako aj zariadenia, ktoré sa používajú na uvedenie káblu alebo potrubia pod napätie.

2. Nastavte frekvenciu na prístroji Scout na rovnakú hodnotu ako na vysielči. Uistite sa, že na prístroji sa zobrazí ikona sledovania vedenia ~. Stlačte tlačidlo hlavnej ponuky, aby ste zobrazili obrazovku lokalizácie.



3. Na začiatku sledovania sa odporúča najskôr pozorovať intenzitu signálu, aby ste zistili, či intenzita poklesne, keď sa so prístrojom Scout vzdialite do väčšej vzdialenosti. Ak používate indukčný režim, stožiar antény nasmerujte na vedenia alebo na samotný vysielča. Signál by mal dosiahnuť špičkovú hodnotu nad vedením a mal by klesnúť na oboch stranách. Ak sa intenzita signálu a čiary na obrazovke NEZHODUJÚ, signál môže byť skreslený.
4. Počas sledovania bude trasa potrubia alebo kábla zobrazená na obrazovke 2 plnými čiarami. Ak sú čiary umiestnené v strede, znamená to, že Scout sleduje podzemné vedenie. Ak sa čiara vychýli doľava alebo doprava, prístroj Scout presuňte tak, aby sa čiara ocitla znovu v strede. Signál vyžarovaný z vedenia je najsilnejší priamo nad vedením. V opačnom prípade je signál skreslený.



POZNÁMKA Pri používaní frekvencie sledovania vedenia sa na obrazovke objavia dve čiary. Pri používaní frekvencie sondy sa rovník zobrazuje ako jedna čiara.

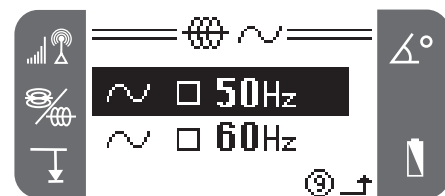
UPOZORNENIE Dávajte pozor na interferencie signálu, ktoré môžu spôsobiť nepresnosť merania. Hodnoty nameranej hĺbky sú iba odhadované a skutočnú hĺbku vedenia treba overiť odkrytím vedenia ešte pred začiatkom výkopových prác.

5. Na začiatku sledovania sa odporúča najskôr pozorovať intenzitu signálu, aby ste zistili, či intenzita poklesne, keď sa so prístrojom Scout vzdialite do väčšej vzdialenosti. Ak používate indukčný režim, stožiar antény nasmerujte na vedenia alebo na samotný vysielča. Signál by mal dosiahnuť špičkovú hodnotu nad vedením a mal by klesnúť na oboch stranách. Ak sa intenzita signálu a čiary na obrazovke NEZHODUJÚ, signál môže byť skreslený.

6.1 Sledovanie pasívneho AC vedenia

V pasívnom režime Scout sníma striedavý prúd, alebo AC polia. Podzemné elektrické vedenia väčšinou nevyžarujú identifikovateľný signál, ak vodiče nie sú pod napätím. Napríklad, vypnuté pouličné osvetlenie sa ťažko dá sledovať v pasívnom režime.

1. Vyberte si frekvenciu pasívneho sledovania AC vedenia (ikona pasívneho vedenia ~).
2. Scout používa dve (2) štandardné pasívne sledovacie AC frekvencie. Sú to frekvencie 50 Hz a 60 Hz.

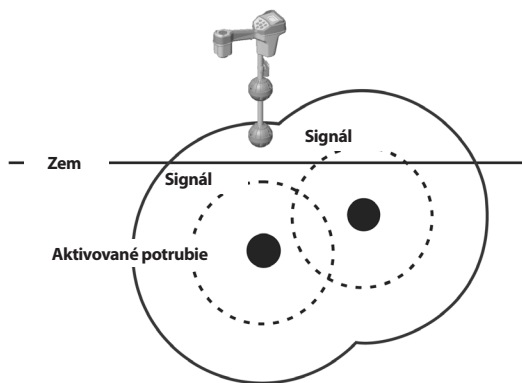


6.2 Rady na prevádzku v režime sledovania vedenia

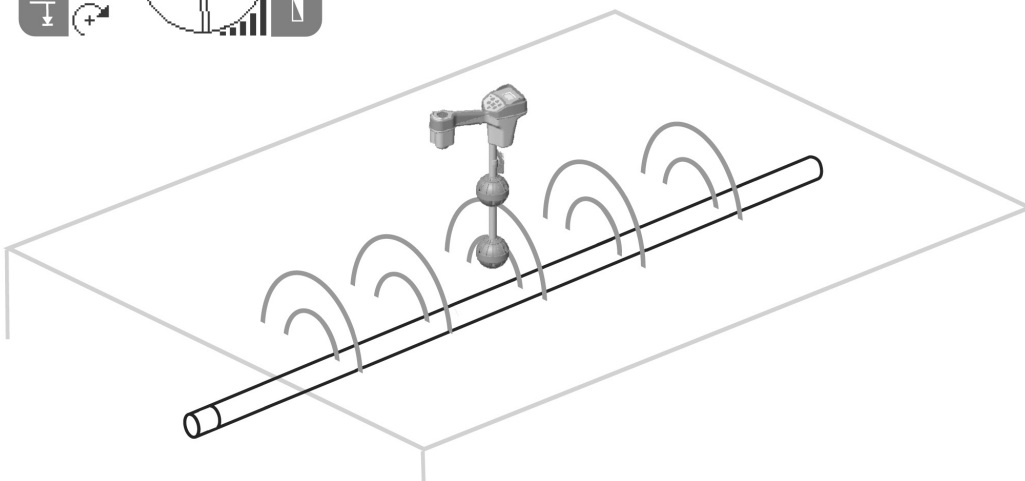
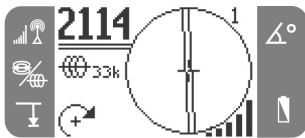
- **Ak sa vedenia nenachádzajú v strede mapy a je dosiahnutá maximálna intenzita signálu, meranie je skreslené!**
 - a. Pokúste sa znížiť používanú frekvenciu.
 - b. Presuňte uzemňovací kolík ďalej od vedenia, ktoré treba lokalizovať.
 - c. Uistite sa, že vedenie nemá spoločné prepojenie s iným vedením.
- Ak sa čiary nevycentrujú alebo ak sa chaoticky pohybujú po obrazovke, prístroj Scout nemusí zachytávať jasný signál.
 - a. Skontrolujte vysielča a uistite sa, že je funkčný a dobre uzemnený.
 - b. Otestujte obvod nasmerovaním spodnej antény na niektorý vodič vysielča.
 - c. Skontrolujte, či Scout a vysielča fungujú na rovnakej frekvencii.
 - d. Vyskúšajte rôzne frekvencie, začnite najnižšou a zvyšujte frekvenciu, kým sa nepodarí spoľahlivo zachytiť vedenie.
- Prúd najlepšie prechádza cez najmenšie vedenia až po najväčšie vedenia (s najnižším odporom). Takáto situácia môže vzniknúť napríklad pri sledovaní potrubia z domu smerom na ulicu.
- Počas sledovania by ste mali dosiahnuť maximálne hodnoty signálu a minimálnu hodnotu nameranej hĺbky v mieste, kde sa čiary na displeji vycentrujú. Ak sa tak nestane, podzemné vedenie sa môže zatáčať alebo sa objavili iné viazané signály.
- Vyššie frekvencie ľahšie presakujú na vďaljšie vedenia, no možno budú potrebné na prekonanie prerušení sledovacích vodičov alebo na prekonávanie izolačných spojok.
- Ak používate vysielča v indukčnom režime, lokalizáciu treba začať vo vzdialenosti asi 10 / 15 od vysielča, aby nevznikla tzv. „vzduchová väzba“. Tento jav nastáva, keď Scout zachytáva signál z vysielča priamo vzduchom a nie z vedenia, ktoré treba sledovať.

Ak sa čiary nevycentrujú alebo ak sa chaoticky pohybujú po obrazovke, prístroj Scout nemusí zachytávať jasný signál.

- a. Povrch je rovný.
 - b. Vedenie je vodorovné.
 - c. Lokalizátor Scout sa nachádza nad úrovňou zeme.
 - d. Stožiar antény Scout sa nachádza približne vo zvislej polohe.
- Ak tieto podmienky nie sú splnené, dbajte na maximalizáciu intenzity signálu. Vo všeobecnosti, ak sa Scout nachádza v pásme, ktoré má šírku cca dvojnásobku „hĺbky“ vedenia, mapa bude užitočná a presná. Túto skutočnosť si treba uvedomiť, ak používate mikromapu alebo ak sa cieľ alebo vedenie nachádzajú vo veľmi malej hĺbke. Užitočná oblasť vyhľadávania na mikromape môže byť malá, ak je vedenie v extrémne malej hĺbke.



Mikromapa - Príklad – Sledovanie vedenia



7. Ponuka Nástroje

7.1 Zmena jednotiek hĺbky

Na prístroji Scout možno zmeniť jednotky merania hĺbky na stopy alebo metre. Ak chcete zmeniť tieto nastavenia, zvýraznite ikonu hĺbky v ponuke Nástroje a stlačením tlačidla výberu môžete prepínať medzi stopami alebo metrami.



7.2 Automatické podsvietenie

Do ľavého horného rohu klávesnice je zabudovaný svetelný snímač, ktorý identifikuje slabé osvetlenie v okolitom prostredí. Podsvietenie možno vynútiť zapnutím zakrytím tohto snímača prstom.

Automatické podsvietenie LCD displeja je vo výrobnom závode nastavené tak, aby sa zapínalo, až keď je okolie pomerne tmavé. Účelom nastavenia je šetriť batérie. Keď sa kapacita batérií blíži ku kritickej hodnote, podsvietenie bude nevýrazné. Keď sa kapacita batérií blíži k nule, podsvietenie bude veľmi slabé, aby sa tak šetrili batérie.

Ak chcete vypnúť podsvietenie, zvýraznite ikonu žiarovky v časti nástroje v ponuke a stlačením tlačidla výberu prepnete medzi režimom Auto a OFF (Vyp.).



7.2.1 Kontrast LCD displeja

Ak je zvýraznená táto položka, pomocou tlačidiel so šípkami nahor a nadol možno nastaviť kontrast LCD displeja.



8. Užitočné informácie

8.1 Interferencia signálu

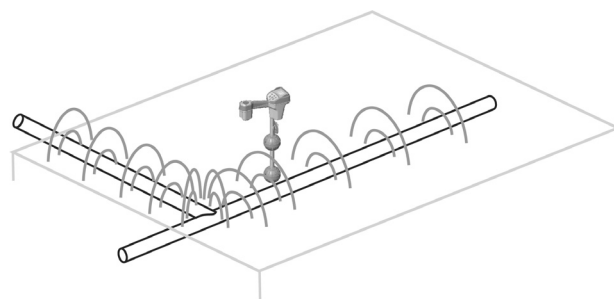
8.1.1 Skreslené polia

Niekedy sa v poli môže vyskytovať kov alebo iný železitý materiál v zemi, ktorý môže skresliť siločiaru poľa. Môže ísť o iné vedenie, zakopaný železný šrot alebo staré nepoužívané vedenia, ktoré môžu vychýliť alebo skrátiť siločiaru poľa. V takom prípade môže Scout zobraziť slabší signál okolo

predmetu a silnejší signál priamo nad predmetom. Predmet môže fungovať aj ako šošovka, ktorá nepredvídateľne zväčšuje alebo zoslabuje signál.

8.1.2 Zložené polia

Môžu sa vyskytnúť aj zložené polia. Tam kde sa jedno pole stretne s iným, dve alebo viac polí dokáže vytvoriť silnejší signál. Je dôležité, aby operátori pochopili túto skutočnosť, najmä pri tvarovkách „T“ alebo pravých uhloch potrubia, kde sa často vyskytujú zložené polia.



Zložené pole okolo spoja v potrubí.

8.1.3 Šum

Rušivé signály (šum) jednoducho patria k lokalizácii. Interferencia sa môže nachádzať na rovnakej frekvencii, ktorá sa používa, alebo sa môže nachádzať „mimo pásma“ na iných frekvenciách. Niektoré z najsilnejších rušivých signálov vytvárajú zariadenia na prenos elektrickej energie. Transformátory, veľké elektromotory alebo generátory a prenosové vedenia môžu byť zdrojom veľmi silného šumu. Ak je to možné, treba sa vyhnúť oblastiam s mimoriadne vysokým šumom.

Ak je zobrazenie uhla nestabilné, a/alebo ak nie je stabilná úroveň signálu, je to zvyčajne znak toho, že cieľový signál nie je prítomný (sonda alebo vedenie pod napätím) alebo je prítomná vysoká úroveň rušivého šumu.

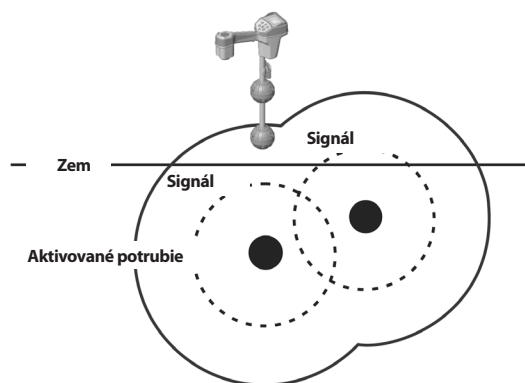
8.2 Poznámky o presnosti

Meranie hĺbky a intenzity signálu závisí od silného signálu, ktorý prijíma Scout. Nezabudnite, že Scout sa používa nad zemou na snímanie elektromagnetických polí vyžarovaných z podzemných vedení (elektrické vodiče, ako sú kovové káble a potrubia) alebo zo sond (aktívne vysielajúce). Keď polia majú jednoduchý, neskraslený tvar, nasnímané polia sú reprezentatívne pre podzemný objekt.

Ak sú tieto polia skreslené a v oblasti sa vyskytuje viacero polí, ktoré vzájomne na seba vplyvajú, prístroj Scout nevykoná presnú lokalizáciu. Lokalizácia nie je exaktná veda. Pracovník obsluhy sa v procese lokalizácie musí spoliehať na vlastný úsudok a okrem údajov nameraných prístrojom musí vyhľadávať všetky ďalšie dostupné informácie. Prístroj Scout používateľovi poskytne viac informácií, ale pracovník obsluhy musí tieto informácie správne vyhodnotiť. Žiadny výrobca lokalizátorov nebude tvrdiť, že pracovník obsluhy má sledovať iba informácie z prístroja.

Kedy treba spochybníť presnosť lokalizácie:

- **Ak sú v oblasti prítomné iné vedenia alebo infraštruktúry.** „Presakovanie“ môže spôsobiť skreslenie polí a neúmyselné ožiarenie vedení. Ak je to možné, použite nižšie frekvencie a eliminujte prepojenie dvoch vedení.



- **Pri indukčnom používaní vysielача.** Tým vzniká slabý signál vedenia. Vždy keď je to možné, použite priame prepojenie.
- **Keď sa vo vedení vyskytujú tvarovky alebo deliace prvky.** Tieto môžu spôsobiť skreslenie signálu.
- **Keď je nízka intenzita signálu.** Presná lokalizácia si vyžaduje silný signál.
- **Keď sa menia pôdne podmienky.** Na merania môžu mať vplyv extrémne hodnoty vlhkosti, napríklad veľmi suchá alebo veľmi vlhká pôda. Napríklad, pôda nasýtená slanou vodou v pobrežných oblastiach bude výrazne tieniť signál a bude sa v nej veľmi ťažko lokalizovať.

9. Preprava a uskladnenie

Pred prepravou sa uistite, že prístroj je vypnutý, čím sa šetrí batérie. Počas prepravy sa uistite, že prístroj je bezpečne uložený a nemôže sa pohybovať, ani naň nemôže spadnúť uvoľnené zariadenie. Prístroj Scout skladujte na chladnom a suchom mieste.

Pred dlhším uskladnením prístroja Scout vyberte všetky batérie.

10. Inštalácia/Používanie príslušenstva

Scout sa dodáva aj so značkami na označenie polohy sondy a pólov nad zemou. K dispozícii sú dve (2) červené značky na označenie pólov a jedna (1) žltá značka na označenie polohy sondy.

Ak potrebujete ďalšiu pomoc, prosím, obráťte sa na vášho predajcu alebo zástupcu RIDGID.

11. Údržba a čistenie

⚠ VÝSTRAHA

1. Prístroj Scout udržiavajte v čistote pomocou vlhkej utierky a jemného čistiaceho prostriedku. Prístroj neponárajte do vody.
2. Pri čistení nepoužívajte ostré nástroje alebo abrazívne čistiace prostriedky, pretože môžu trvalo poškodiť plochu displeja. **NIKDY NEPOUŽÍVAJTE ROZPÚŠŤADLÁ** na čistenie akejkoľvek časti systému. Látky ako acetón a iné agresívne chemikálie môžu spôsobiť prasknutie krytu.

12. Lokalizácia chybných komponentov

Návrhy na riešenie problémov nájdete v návode na riešenie problémov na konci návodu. Ak potrebujete ďalšie informácie alebo pomoc, obráťte sa na vášho predajcu alebo na Ridge Tool.

13. Servis a opravy

⚠ VÝSTRAHA

Nástroj treba dopraviť do nezávislého autorizovaného servisného strediska spoločnosti RIDGID.

14. Sprievodca riešením problémov

PROBLÉM	PRAVDEPODOBNÁ PRÍČINA PORUCHY
Scout sa počas používania zamkne.	Prístroj vypnite a potom znovu zapnite. Vyberte batérie, ak sa prístroj nevypne.
Počas snímania čiary „poskakujú“ po celej obrazovke mikromapy.	Znamená to, že Scout nezachytáva signál alebo vzniká interferencia.
	Uistite sa, že vysielateľ je správne pripojený a uzemnený. Nasmerujte Scout na niektorý vodič a uistite sa, že okruh je úplný.
	Vyskúšajte vyššiu frekvenciu.
	Pokúste sa identifikovať a eliminovať zdroj prípadného šumu.
Počas lokalizácie sondy čiary „poskakujú“ po celej obrazovke.	Skontrolujte, či fungujú batérie v sonde.
	Overte signál nasmerovaním spodnej antény bližšie k sonde. Poznámka – signál sond ťažko preniká cez potrubia z liatiny a tvárnej liatiny.
Vzdialenosť medzi sondou a niektorým pólom nie je rovnaká.	Sonda môže byť naklonená alebo materiál potrubia môže byť zložený z liatiny a plastu.
Prístroj sa správa chaoticky, nemôže sa vypnúť.	Kapacita batérií môže byť príliš nízka. Vymeňte batérie za nové a prístroj znovu zapnite.
Po zapnutí je displej úplne tmavý alebo úplne svetlý.	Prístroj vypnite a potom znovu zapnite.
	Upravte kontrast LCD displeja.
Prístroj nevydáva žiadny zvuk.	Upravte hlasitosť zvuku v ponuke zvuku.
Scout nezachytáva signál.	Skontrolujte, či je nastavený správny režim a frekvencia.
Scout sa nezapne.	Skontrolujte orientáciu batérií. Skontrolujte, či sú batérie nabité. Skontrolujte, či sú kontakty batérií v poriadku. Mohla sa vypáliť poistka v prístroji (je potrebný servis výrobcu).

15. Technické údaje

Hmotnosť s batériami.....	1,4 kg
Hmotnosť bez batérií.....	1 kg
Rozmery	
Dĺžka.....	28,5 cm
Šírka.....	11,0 cm
Výška.....	56,0 cm
Zdroj napájania	
4 batérie typu C, 1,5 V alkalické (ANSI/NEDA 14 A, IEC LR14) alebo 1,2 V NiMH alebo NiCad nabíjateľné akumulátory	
Menovité výkonové údaje: 6 V, 550 mA	
Prevádzkové prostredie	
Teplota.....	20°C až 50°C
Vlhkosť.....	5% až 95% RV
Skladovacia teplota.....	od -20°C do 60°C
Štandardné frekvencie	
Sonda.....	512 Hz, 640 Hz, 874 Hz, 33 kHz
Aktívne sledovanie vedenia.....	512 Hz, 8 kHz, 33 kHz
Pasívne sledovanie vedenia.....	60 Hz, 50 Hz

Predvolené nastavenia

Predvolené nastavenia lokalizátora:
 Jednotky hĺbky = Meter a centimeter
 Hlasitosť = 1 (jeden stupeň nad úrovňou vypnutého zvuku)
 Podsvietenie = Auto

Štandardné vybavenie

- Lokalizátor Scout
- Značky a držiak stožiaru
- 2 návody na obsluhu: USA + Európa
- 4 batérie typu C (alkalické)
- Video PAL

Voliteľné vybavenie

- Ďalšie značky pólov/sondy
- Vysielač NaviTrack
- Indukčná svorka
- Sonda s batériou
- Plavák

16. Vysvetlivky

	IKONY NA DISPLEJI
	Frekvencia sondy
	Frekvencia aktívneho sledovania
	Pasívna (AC) frekvencia
	Úroveň hlasitosti
	Úroveň nabitia batérie
	Hĺbka
	Horizontálny uhlový indikátor
	Intenzita signálu
	Ponuka Nástroje
	Kontrast LCD displeja
	Podsvietenie LCD
	IKONY KLÁVESNICE
	Ponuka Navigácia
	Reset zvukovej signalizácie / Voľba položky ponuky
	Ponuka Navigácia / Vynútené meranie hĺbky (stláčať 3 s)
	Tlačidlo Zapnúť/Vypnúť
	Tlačidlo Ponuka
	Tlačidlo Sonda / Sledovanie / Režim frekvencie
	Tlačidlo ovládania hlasitosti

SL

NaviTrack Scout

Navodila za uporabo

Prevod izvirnih navodil



SPLOŠNE VARNOSTNE INFORMACIJE

OPOZORILO! Pozorno preberite in se seznanite z vsemi navodili. Neupoštevanje vseh spodaj navedenih napotkov lahko povzroči električni udar, požar in/ali hude telesne poškodbe.

**PREBERITE PRILOŽENA VARNOSTNA NAVODILA.
TA NAVODILA SHRANITE!**

Izjava o skladnosti za EU (890-011-320.10) po potrebi spremlja ta priročnik kot ločena knjižica.

Opozorila za baterije

- **Uporabljajte izključno baterije predpisane velikosti in vrste. Ne mešajte različnih vrst celic (npr. ne kombinirajte alkalnih celic s polnilnimi).** Delno izpraznjenih celic ne uporabljajte skupaj s polnimi (npr. ne mešajte starih in novih baterij).
- **Baterije polnite le s polnilniki, ki jih je predpisal proizvajalec baterije.** Uporaba neustreznega polnilnika lahko povzroči pregrevanje in predrtje baterije.
- Baterije zavržite na pravilen način. Izpostavljenost visokim temperaturam lahko povzroči eksplozijo akumulatorja, zato ga ne vrzite v ogenj. Nekatere države imajo predpise, ki urejajo odlaganje akumulatorjev. Upoštevajte vse veljavne predpise.

1. Uporaba in ravnanje z napravo Scout

- **Opremo uporabljajte izključno na predpisan način.** Naprave Scout ne uporabljajte, če niste opravili pravilnega usposabljanja in prebrali priročnika za uporabnika.
- **Anten ne potaplajte v vodo.** Napravo hranite na suhem mestu. Ti ukrepi zmanjšajo nevarnost električnega udara in škode na instrumentu.
- **Preverite, ali so deli pokvarjeni in ali so prisotna druga stanja, ki bi lahko vplivala na delovanje naprave Scout.** Če je instrument poškodovan, ga pred uporabo oddajte v servis. Številne nesreče so posledica slabo vzdrževanih orodij.
- **Uporabljajte samo dodatno opremo, ki jih proizvajalec priporoča za napravo Scout.** Dodatna oprema, primerna za uporabo z določenim instrumentom, lahko postane nevarna, če jo uporabljate z drugim instrumentom.
- **Ročaje vzdržujte suhe, čiste in razmaščene. To omogoča boljši nadzor instrumenta.**
- **Izdelek zaščitite pred preveliko vročino.** Pazite, da izdelek ne bo v bližini virov toplote, kot so radiatorji, grelniki, peči ali drugi izdelki (tudi ojačevalniki).

1.1 Servisiranje

- **Servisiranje diagnostičnega instrumenta sme izvajati samo usposobljeno servisno osebje.** Če servisiranje ali vzdrževanje

opravlja osebje, ki za to ni strokovno usposobljeno, lahko pride do poškodb.

- **Poskrbite za ustrezno čiščenje.** Pred čiščenjem odstranite baterijo. Ne uporabljajte tekočih čistil ali čistil v pršilu. Za čiščenje uporabite vlažno krpo.
- **Opravite varnostno preverjanje.** Po končanem servisiranju ali popravilu izdelka prosite servisnega tehnika, da izvede varnostno preverjanje in ugotovi, ali je izdelek v primernem delovnem stanju.
- **Poškodba izdelka, ki zahteva servisiranje.** Odstranite akumulatorje in zaupajte servisiranje strokovnemu servisnemu osebju v naslednjih primerih:
 - Če je prišlo do izlitja tekočine ali če so v izdelek padli predmeti.
 - Če izdelek ne deluje normalno pri upoštevanju navodil za uporabo.
 - Če je izdelek padel ali je kakor koli poškodovan.
 - Če izdelek kaže izrazite spremembe delovanja.

V primeru dopisovanja vedno navedite vse informacije, prikazane na imenski plošči orodja, vključno s številko modela in serijsko številko.

1.2 Pomembno obvestilo

Naprava Scout je diagnostično orodje, ki zaznava elektromagnetna polja, ki jih oddajajo predmeti pod zemljo. Namenjeno je za pomoč uporabniku, ki išče te predmete, tako da prepozna lastnosti silnic in jih prikaže na zaslonu. Ker se lahko elektromagnetne silnice popačijo in spremenijo zaradi motenj, je pomembno, da pred kopanjem preverite položaj podzemnih predmetov.

V istem območju je lahko prisotnih več različnih vodov.

Obvezno upoštevajte krajevne predpise.

Odkop napeljave je edini način, da se potrdijo njeni obstoj, položaj in globina. Podjetje Ridge Tool Co., njegove podružnice in dobavitelji ne prevzemajo odgovornosti za kakršne koli telesne poškodbe ali kakršno koli neposredno, posredno, naključno ali posledično škodo, ki bi nastala zaradi ali izhajala iz uporabe naprave Scout. V istem območju je lahko prisotnih več različnih vodov. Obvezno upoštevajte krajevne predpise.

2. Predstavitev naprave Scout

Sonda in iskalnik vodov Scout™ uporabljata večsmerne antene ter izpopolnjeno obdelavo signalov za hitro, točno in preprosto iskanje sond ter sledenje zakopanih vodov.

2.1 Katere so njene edinstvene funkcije?

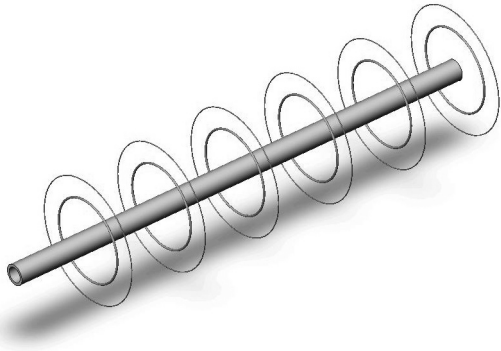
Izpopolnjena tehnologija naprave Scout zagotavlja več edinstvenih prednosti pred običajnimi iskalniki:

- večsmerni sistem anten,
- pogled mikro zemljevida,
- prikaz posebnosti signala.

2.2 Kako deluje?

Naprava Scout se uporablja nad tlemi za zaznavanje elektromagnetnih polj iz podzemnih ali skritih vodov (električni vodniki, kot so kovinski kabli in cevi) ali sond (aktivni oddajniki). Ko so polja preprosta in nepopačena, so zaznana polja skladna s položajem zakopanega predmeta. Naprava Scout zazna prevodne predmete, ki oddajajo polje, in ne zazna neposredno podzemnih predmetov. Električna polja, ki jih oddajajo zakopani predmeti, so lahko dveh vrst: prvo vrsto oddajajo dolgi prevodniki, kot so vzbujene žice, potisni kabli kamer za pregledovanje ali cevi.

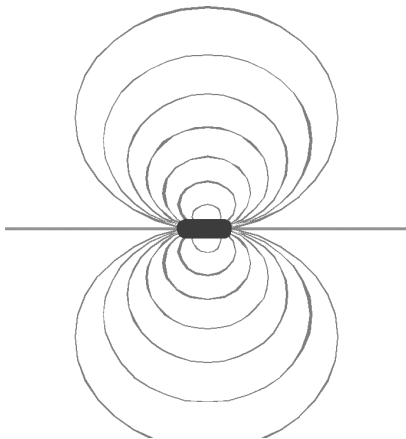
Ti predmeti ustvarjajo dolgo valjasto polje, postopku pa pogosto pravimo iskanje voda.



Polje, ki ga oddaja vod pod napetostjo.

(Pasivno izmenično iskanje je samo poseben primer, ko je vod vzburjen z napetostjo električnega omrežja.)

Drugo vrsto oddajajo sonde (pravimo jim tudi oddajniki ali aktivne sonde za kanale), je drugačne oblike, naprava Scout pa je programirana za merjenje in prikaz tovrstnega polja. Kompleksnejša oblika polja sonde se imenuje dipolno polje in je enaka obliki polja paličastega magneta ter Zemlje.

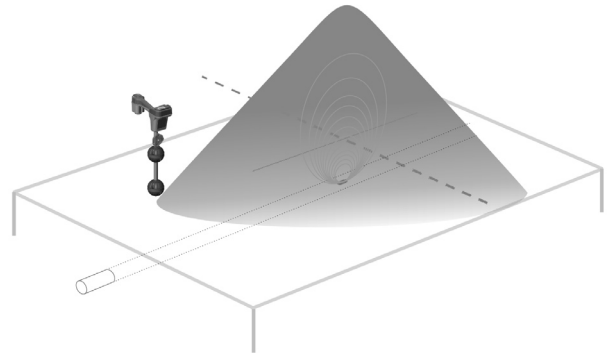


Dipolno polje, ki ga oddaja sonda.

Elektromagnetna polja imajo tri (3) pomembne lastnosti: frekvenca, moč in kot (smer). Za razliko od običajnih iskalnikov, ki lahko merijo jakost polja samo v smeri posameznih anten, lahko naprava Scout meri jakost in smer polja v treh dimenzijah (3D). Ta izpopolnjena zmogljivost omogoča prikaz zemljevida.

Izkušen uporabnik lahko uporabi te dodatne informacije za pospešitev postopka iskanja in za pomoč pri razjasnitvi zapletenih situacij pri iskanju. Občasni ali novi uporabniki lahko določanje položaja običajno zlahka opravijo že na podlagi samo moči signala.

Prvo pravilo za iskanje z napravo Scout je, da morajo biti številke velike! – Iskanje največje jakosti signala je ključno in je glavni način iskanja.



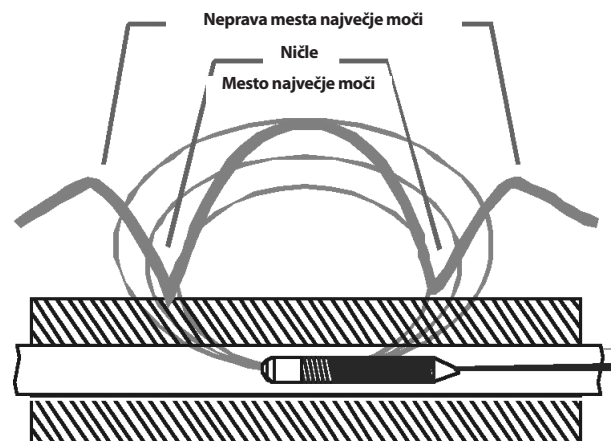
Primer iskanja največje jakosti z napravo Scout neposredno nad sondo.

Ne glede na to, ali iščete vod ali sondo, je najmočnejši signal nad ciljem. Ko ste nad ciljem, se prikaže globina.

2.3 Kaj je prednost večsmerne naprave Scout?

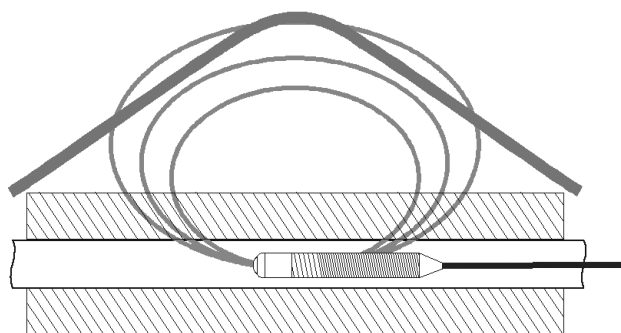
Opazovanje celotnega signala z večsmernimi antenami ponuja bistvene prednosti:

1. Signal se vedno povečuje, ko se uporabnik bliža cilju.
2. Odpravljene so ničle in nepravne konice. Običajni iskalnik pokaže konico, ničlo in nato manjšo konico. To lahko zmede uporabnika, zlasti če manjšo konico prepozna kot cilj (temu pravimo nepravne konice). Naprava Scout vidi le eno konico, da uporabnika usmeri proti cilju.



Signal sonde, kot ga »vidi« običajen iskalnik. Glavna konica je na sredini, dve nepravni konici pa sta zunaj obeh ničel.

Mesto največje moči



Signal sonde, kot ga »vidi« naprava Scout. Samo ena konica, brez ničel.

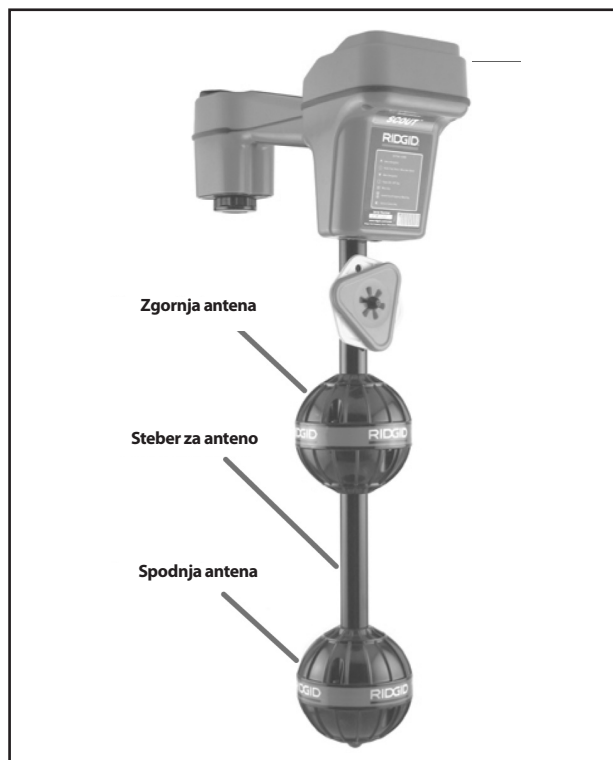
3. Način držanja enote ne vpliva na moč signala. Uporabnik se lahko približa iz poljubne smeri in mu ni treba poznati položaja cevi ali žice.
4. Dodatna orodja za prepoznavanje in reševanje zahtevnejših nalog določanja položaja vključujejo grafični mikro zemljevid ter kazalnik kota, ki pomagata pri tolmačenju lastnosti signala.

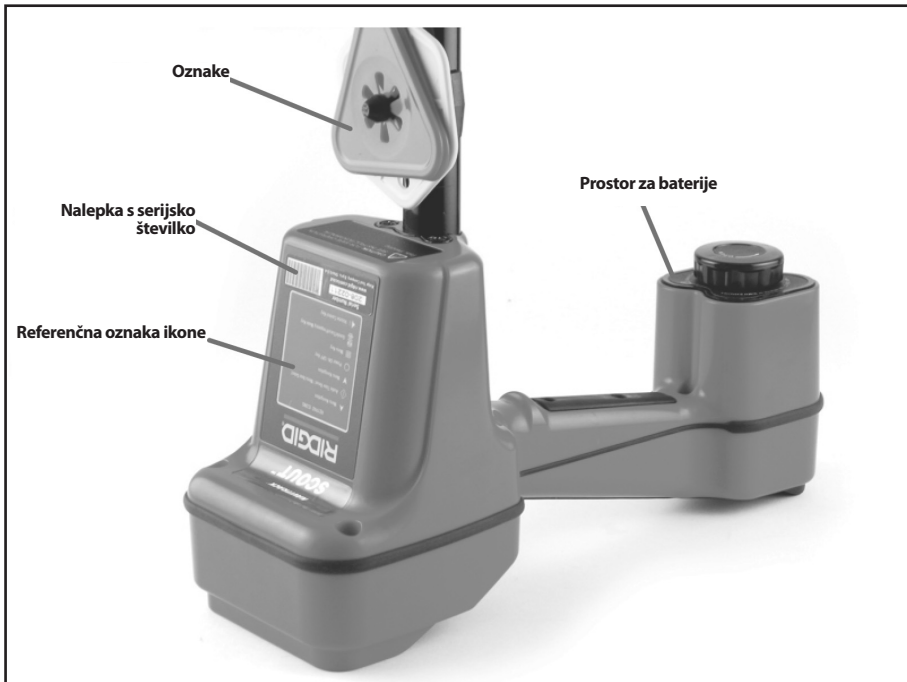
2.4 Kaj je prednost mikro zemljevida?

Zemljevid kaže sliko, ki kaže lastnosti signala. To je tlorisni pogled podzemnega signala, ki se grafično prikaže na prikazovalniku. Uporablja se kot vodnik za sledenje podzemnih vodov in ga lahko uporabljate za boljše določanje položaja sond. V bolj zapletenih okoljih lahko z njim dobite dodatne informacije.

Pri premikanju iskalnika nad tlemi se naprava Scout premika nad signalom, ki ga oddajajo podzemni predmeti. To omogoča uporabniku, da na zaslonu vidi vizualizacije signala in jih označi. Običajni iskalniki ne morejo pokazati zemljevida podzemnega signala, saj njihove antene ne vidijo njegove celotne oblike.

3. Deli naprave Scout

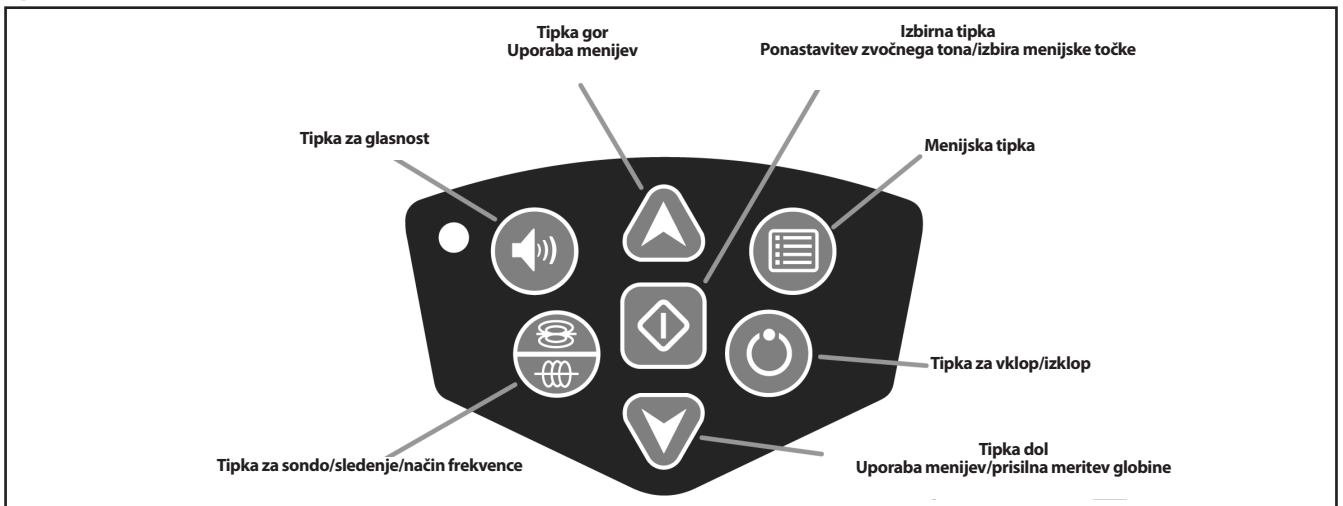




Prikazovalni zaslon



Tipkovnica



Tipka za glasnost – odpre in zapre meni za raven zvoka.

Tipka Sonda/Sledenje/Frekvenčni način – preklopi med dejavnimi frekvencami in funkcijami.

Tipka gor – se premika navzgor po možnostih menija.

Izbirna tipka – izbere označeno možnost, ko je odprt meni.

Tipka dol – se premika navzdol po možnostih menija.

Menijska tipka – odpre/zapre meni.

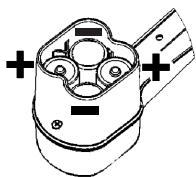
Tipka za vklop/izklop – vklop ali izklopi napravo Scout.

4. Prvi koraki

4.1 Vstavljanje/menjava baterij

Če želite v napravo Scout vstaviti baterije, enoto obrnite, da dobite dostop do prostora za baterije. Gumb na pokrovu baterij zavrtite v levo. Vratca odstranite tako, da potegnete gumb naravnost navzgor. Baterije vstavite, kot je prikazano na notranji nalepki, in poskrbite, da se dokončno usedejo na stike.

Vratca namestite na ohišje in zavrtite gumb v desno, pri tem pa ga narahlo pritisnite navzdol, da vrata zaprete. Pokrov baterij lahko namestite v poljubni smeri.



Ko napravo Scout vključite, traja nekaj sekund, da preveri baterije. Do takrat je prikazan simbol za prazno baterijo.

⚠ OPOZORILO


Ne dovolite, da v prostor za baterije vdre umazanija. Umazanija v prostoru za baterije lahko povzroči kratek stik med stiki baterij, kar povzroči hitro praznjenje baterij, to pa lahko povzroči puščanje elektrolita ali požar.

4.2 Časi delovanja


Tipični časi delovanja iskalnika Scout pri uporabi alkalnih baterij so od 12 do 24 ur, odvisno od dejavnikov, kot sta glasnost in pogostost uporabe osvetlitve ozadja. Drugi dejavniki, ki vplivajo na čas delovanja, vključujejo kemično zgradbo baterije (številne sodobne visokozmogljive baterije, na primer »Duracell® ULTRA«, lahko pri zahtevnih načinih delovanja delujejo 10 - 20 % dlje od običajnih alkalnih baterij). Življenjsko dobo baterij skrajša tudi delovanje pri nižjih temperaturah.

Da naprava Scout zmanjša porabo baterij, se samodejno ustavi 1 uro po zadnjem pritisku tipke. Za nadaljevanje uporabe preprosto vklopite enoto.

4.3 Vklop in izklop

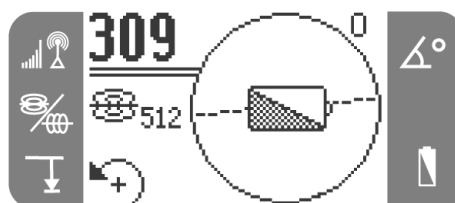
Napravo vklopite s pritiskom tipke za vklop/izklop  na tipkovnici. Prikaže se logotip RIDGID®, v spodnjem desnem vogalu se prikaže številka različice programske opreme.



Napravo izklopite s pritiskom tipke za vklop/izklop  na tipkovnici. Pri vklopu/izklopu naprave ne pozabite, da lahko to traja nekaj sekund.

4.4 Opozorilo o prazni bateriji

Ko se baterija izprazni, se na območju zemljevida na zaslonu prikaže ikona baterije. To označuje, da je treba baterije zamenjati in da se bo enota kmalu izklopila.



Tik pred popolnim izklopom se opravi postopek ustavitve, ki ga ne morete prekiniti.

V nekaterih primerih lahko napetost pade tako hitro, da se enota samo izklopi. V tem primeru se enota izklopi in znova zažene. Samo zamenjajte baterije in znova vklopite enoto.

5. Priprava

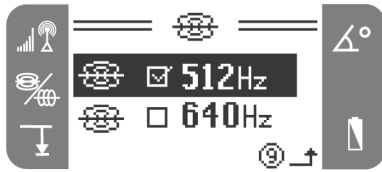
Ko naprava Scout deluje, morate nastaviti potrebne frekvence, da se uskladite z opremo, ki jo iščete. Vsako frekvenco izberete tako, da jo izberete na seznamu v meniju.

1. Pritisnite menijsko tipko, označite izbiro in pritisnite izbirno tipko za vklop:



2. S puščicami za premikanje navzgor in navzdol označite frekvenco, ki se ujema s frekvenco sonde ali oddajnika voda, nato pa označite potrditveno polje z izbirno tipko. Za pomoč glejte možnosti menija. Za vrnitev na glavni zaslon pritisnite menijsko tipko.





⚠ OPOZORILO

Obvezno poskrbite, da se izbrana frekvenca ujema z želeno uporabo. 512 in 33 sta na voljo kot frekvenci za sondo IN sledenje vodu. Uporaba frekvence za sondo pri iskanju voda ali obratno lahko povzroči, da naprava Scout prikaže napačne informacije o globini.

3. Zdaj pritisnite gumb za sondo/sledenje/način frekvence, da preklopite med vključenimi frekvencami in načini. Bodite pozorni na ikone na zaslonu, da vidite, v katerem načinu deluje naprava Scout.



4. Če morate nastaviti globino, samodejno osvetlitev ozadja ali kontrast prikazovalnika LCD, označite izbiro v razdelku menija za orodja in opravite spremembe z izbirno tipko.



5.1 Možnosti menija

Frekvence načina sonde		512 Hz 640 Hz 874 Hz 33 Hz
Frekvence načina sledenja voda		50 Hz (pasivno) 60 Hz (pasivno) 512 Hz 8 kHz 33 kHz
Meni z orodji		Čevlji/metri Samodejna osvetlitev zaslona Kontrast prikazovalnika LCD

5.2 Zvoki naprave Scout

Zvok je povezan s povečevanjem ali zmanjševanjem moči signala. Ko se signal poveča, se glasnost in višina signala povečata, pri zmanjšanju signala pa se zmanjšata. Ko se signal povečuje, se njegova višina in glasnost povečujeta, da pomaga uporabniku poiskati največjo moč signala. Če moč signala upade, se zvok povrne na osnovni tremolo, kot da ni signala.

Naprava Scout ima samodejno ojačanje. Ko se ojačanje poveča ali zmanjša za en korak, se zvok ponastavi na večjo ali manjšo glasnost. Glasnost zvoka nastavite s tipko za zvok.



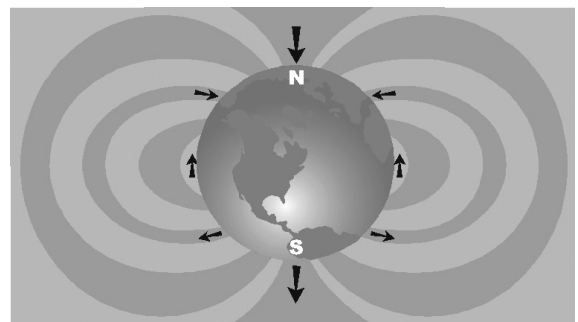
Glasnost se spremeni ob vsakem pritisku na tipko za zvok, nastavljate pa jo lahko tudi s tipkama s puščico gor in dol. Pritisnite izbirno tipko za izhod iz tega zaslona.



OPOMBA Če pritisnete izbirno tipko med običajnim delovanjem, se višina zvoka postavi na srednjo raven.

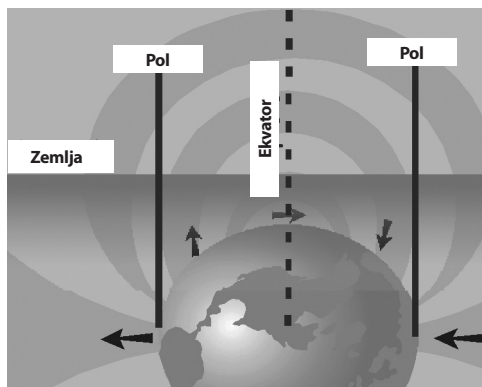
5.3 Pregled – razumevanje sond in naprave Scout

Sonde (tudi oddajniki ali aktivne sonde za kanale) oddajajo elektromagnetno polje, ki je zelo podobno magnetnemu polju, ki ga oddaja Zemlja.



Če bi Zemljo postavili na bok, bi bilo njeno magnetno polje zelo podobno polju sonde.

Naprava Scout je iskalnik, ki lahko meri obliko (kot) silnic sonde in prepozna značilnosti teh silnic. Tri pomembne značilnosti sta dva **POLA** in **EKVATOR**. Na polih je kot signala 90 stopinj (navpičen). Na ekvatorju je 0 (vodoraven). Pola sta točno določeni točki, ekvator pa je krožnica okoli sonde. Ker so te značilnosti stalne, lahko z njimi točno določite položaj sonde.



Pola sta običajno tam, kjer bi običajni iskalniki pokazali »ničli«, mrtvi točki, kjer signal navpično potuje skozi antene. Razlika je v tem, da lahko naprava Scout »vidi« pola (»ničli«) in vam pokaže, kje sta, **tudi če niste neposredno nad njima, ne glede na usmerjenost anten naprave Scout glede na signal.**

To je eden od razlogov, zakaj je iskanje z napravo Scout toliko preprostejše od običajnih iskalnikov.

Sonda je na mestu, kjer ekvator prečka črto, ki povezuje pola.

5.4 Določitev položaja sonde

Napravo Scout lahko uporabljate za določanje položaja signala sonde (oddajnika) v cevi, tako da lahko ugotovite njen položaj nad tlemi. Sonde lahko postavite na težavno mesto v cevi s potisnim drogom ali kablom kamere. Vzdolž cevi jih je mogoče tudi splakniti.

V nadaljevanju privzemamo, da je sonda v vodoravni cevi, da so tla približno vodoravna in da napravo Scout držite z navpičnim stebrom antene.

POMEMBNO Moč signala je ključni dejavnik pri določanju položaja sonde. Poskrbite, da pred označevanjem območja izkopa povečate moč signala na največjo vrednost, da zagotovite točno določitev položaja.

5.4.1 Pri iskanju sonde se pripravite na iskanje na naslednji način:

- **Pred** vstavljanjem sonde v vod uporabite napravo Scout, da se prepričate, da deluje in da naprava Scout prejema njen signal.
- Ko je sonda na svojem mestu in oddaja, vklopite sondo ter uskladite frekvenco sonde z napravo Scout. Poskrbite, da je prikazana ikona načina sonde

⚠ OPOZORILO

Obvezno poskrbite, da se izbrana frekvenca ujema z zeleno uporabo. 512 in 33 sta na voljo kot frekvenci za sondo IN sledenje vodu. Uporaba frekvence za sondo pri iskanju voda ali obratno lahko povzroči, da naprava Scout prikaže napačne informacije o globini.

- Pojdite na domnevni položaj sonde. Če je smer cevi neznan, potisnite sondo za kratko razdaljo v vod (5 m od vstopa je primerna točka za začetek).

5.4.2 Nato poiščite sondo na enega od naslednjih načinov:

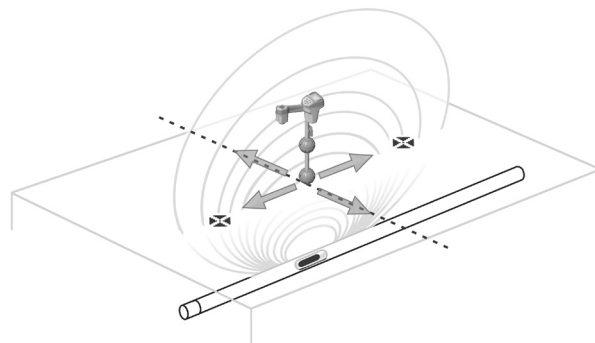
Način 1 – doseganje največje moči signala

1. Napravo Scout držite tako, da je steber odmaknjen od vašega telesa. Steber zavrtite v domnevni smeri sonde, pri tem pa opazujte moč signala in poslušajte zvok. Signal bo največji, ko je steber usmerjen proti sondi.
2. Napravo Scout spustite v običajni obratovalni položaj (navpičen steber) in hodite v smeri sonde. Med približevanjem bo moč signala naraščala, ton pa bo vedno višji in glasnejši. Uporabite moč signala in zvok, da **določite največjo vrednost signala.**



3. Ko najdete največjo vrednost, postavite napravo Scout blizu tal nad konico in se premaknite v vseh smereh, da se prepričate, da signal upade.

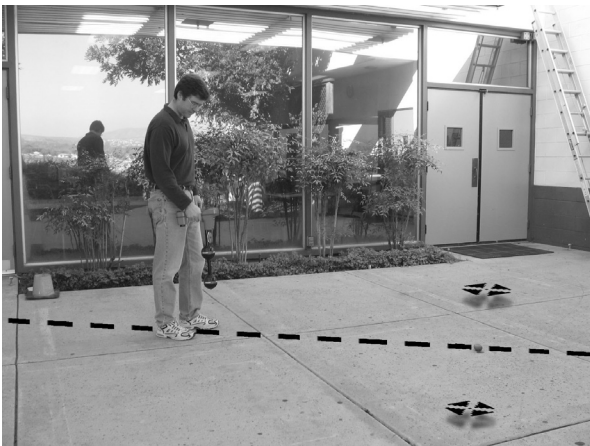
OPOMBA Šteje najmočnejši signal, ekvator je lahko na drugem mestu, če je sonda nagnjena (glejte razdelek o nagnjeni sondi).



Način 2 – sledenje ekvatorju – nato določitev največje vrednosti

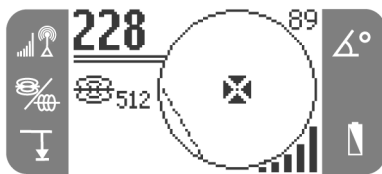
1. Najbolje deluje v neoviranih odprtih območjih, **ko pričakujete, da je sonda vodoravna.** Zavrtite steber in hodite v smeri največje moči signala kot v načinu 1.
2. Ko se na napravi Scout prikaže stalna črta ekvatorja na prikazovalniku, ji sledite proti povečevanju moči signala. Ko dosežete največjo moč signala, premaknite napravo Scout vzdolž ekvatorja **in v vseh smereh**, da se prepričate, da je na konici.

Če je sonda nagnjena, obvezno poiščite najmočnejši signal, saj bo sonda tam.



Preverite določeni položaj.

1. Na točki največje moči signala in pri navpičnem stebru premaknite napravo Scout pravokotno na črto ekvatorja na zaslonu. Ko se pokaže ikona pola, premaknite napravo Scout, dokler ni ikona pola v sredini križca s **spodnjo kroglo antene** na tleh. Na tem mestu postavite eno od trikotnih oranžnih oznak na tla.



Pogled, ko je naprava Scout na polu.

2. Napravo Scout premaknite nazaj preko črte ekvatorja na drugi pol. Križec postavite na drugo ikono pola in označite položaj enako kot prej.
3. Premaknite se nazaj na **največjo moč signala**. To točko označite na tleh z rumeno šestkotno oznako. Spodnja krogla antene počasi premikajte stran od rumene oznake v vseh smereh, pri tem pa opazujte prikaz moči signala. Moč signala bi morala biti največja neposredno nad sondo.
4. Poglejte, ali so vse tri oznake poravnane in ali je rumena šestkotna oznaka približno na polovici med oznakama pola.

Če rumena oznaka ni na sredini, glejte razdelek o nagnjenih sondah.

POMEMBNO Če ste na ekvatorju, to NE pomeni, da ste nad sondo! Ne pozabite, da je za iskanje sonde ključnega pomena moč signala. Morate biti na točki največje moči signala.

Za boljšo točnost uporabite libelo. Pri označevanju polov in ekvatorja MORA biti steber navpičen, sicer bodo položaji napačni.

5.5 Globina merjenja

Naprava Scout izračuna izmerjeno globino s primerjavo moči signala na spodnji anteni z močjo na zgornji anteni.

Globina se izračuna, ko se spodnja antena dotika tal neposredno nad virom signala.

1. Za merjenje globine postavite iskalnik na tla neposredno nad sondo ali vod. Poskrbite, da kaže kazalnik kota 5 stopinj ali manj. Nato počasi zavrtite enoto v smeri puščice, ki je prikazana na **spodnji levi** strani prikazovalnika, dokler se ne prikaže globina.



Libela je uporabna pri merjenju globine, da se prepričate, da je steber antene navpičen.

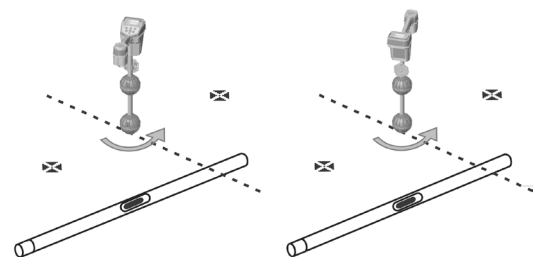
Da najdete največji signal in dosežete točnejši odčitek globine, morate napravo Scout zavrteti, da anteno poravnate s signalom.

2. Globina se prikaže v spodnjem levem vogalu.



3. **Funkcija prisilnega prikaza globine** – če kaže merilnik kota več kot 5 stopinj, naprava Scout ne bo pokazala meritve globine. Pritisnite tipko s puščico navzdol in jo držite. S tem vsilite izračun globine, če je mogoč (glejte naslednji razdelek o nagnjenih sondah).

Pri preverjanju globine vedno opravite meritev, nato pa zavrtite napravo Scout za 180 stopinj (1/2 kroga) in opravite novo meritev globine. Poskrbite, da spodnja krogla ostane na istem mestu na tleh in da bo steber navpičen. Če se odčitka globine ne ujemata bolje kot za 10%, je prisotno popačenje in je določena globina vprašljiva.



5.6 Nasveti za uporabo pri iskanju sonde

- Pri vodenju naprave Scout proti mestu največje moči signala po možnosti uporabljajte zvok.
- Če prečkate ekvator in še ni dosežena točka največje moči, sledite ekvatorju do točke največje moči signala. Če najdete samo ekvator sonde (črtkana črta na zaslonu) NE pomeni, da ste našli sondo. Najti morate tudi točko največje moči signala. Če je sonda močno nagnjena, ekvator NE bo neposredno nad sondo in razdalji do polov ne bosta enaki. Če je sonda nagnjena, poiščite največji signal.
- Vedno potrdite točko največje moči signala. Preverite, ali je zemljevid prikazan, razen če zagotovo veste, da so izpolnjeni vsi pogoji. Zemljevid privzema naslednje:

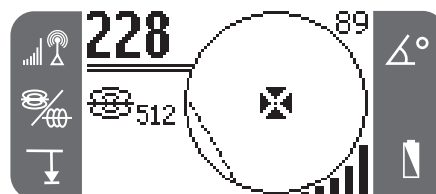
1. Tla so vodoravna.
2. Sonda je vodoravna.
3. Naprava Scout je nad tlemi.
4. Naprava Scout je približno navpična, steber antene je usmerjen navpično navzdol.

Če ti pogoji niso izpolnjeni, bodite zelo pozorni, da povečate moč signala na največjo vrednost. Če so zgornji pogoji izpolnjeni in je naprava Scout od vira signala odmaknjena za manj kot približno dve globini vira signala, bo zemljevid uporaben ter točen. Tega se zavedajte, kadar uporabljate zemljevid, če sta cilj ali vir signala zelo plitva. Če je sonda izredno plitva, je lahko širina uporabnega območja iskanja na zemljevidu majhna.

5.7 Nagnjene sonde

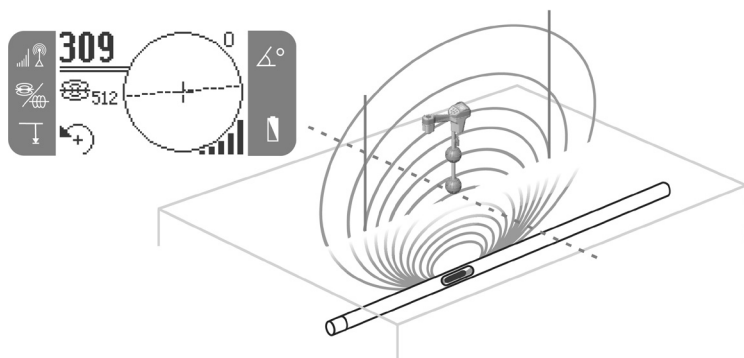
Če je sonda nagnjena, se en pol približa sondi, drugi pa oddalji, tako da sonda ni več na polovici razdalje med poloma. Moč signala bližjega pola postane bistveno višja od oddaljenega pola. V izrednih primerih, ko je sonda

navpična, se en pol premakne na točko tik nad sondo in je ta pol enak točki največje moči signala. Drugega pola ne bo mogoče najti. Zato tudi pri navpični sondi, na primer če pade v prelom cevi ali podzemno posodo, še vedno lahko določite položaj sonde. Kadar je sonda navpična, na zaslonu vidite pol z največjo močjo signala.

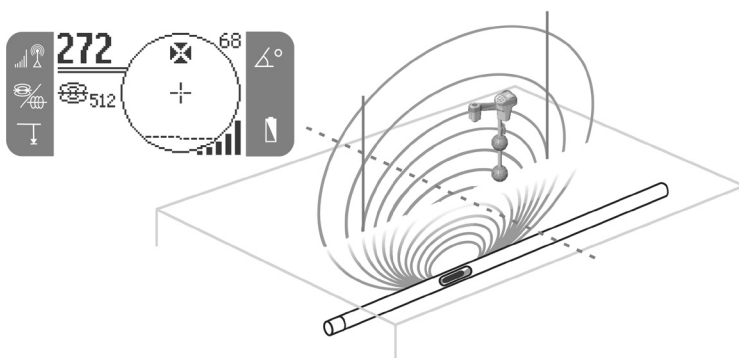


Večsmerne antene omogočajo merjenje globine tudi pri nagibu sonde. V tem primeru lahko uporabite funkcijo prisilnega merjenja globine, da izmerite globino (glejte merjenje globine).

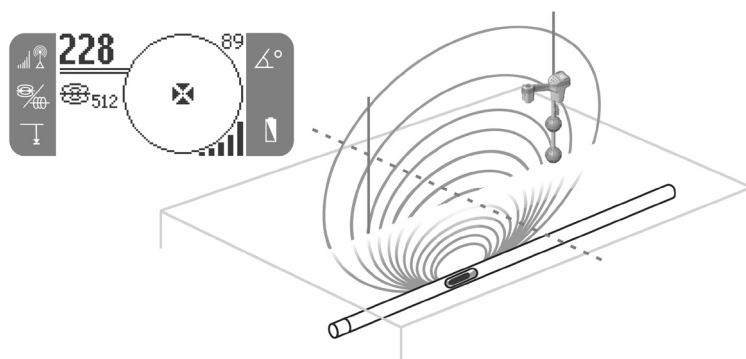
Mikro zemljevid – primeri – način sonde



Naprava Scout na ekvatorju



Naprava Scout zapusti ekvator in se približa polu



Naprava Scout na polu

6. Sledenje vodu z napravo Scout

Napravo Scout lahko uporabljate tudi za sledenje cevi ali vodu, tako da lahko označite tla nad njim. S tem določite mesto voda, tako da se mu lahko med kopanjem izognete ali pa ga razkrijete za popravilo ali zamenjavo. Napravo Scout lahko uporabite za iskanje vodov, ki so vzbujeni z različnimi frekvencami ali pa z njo pasivno preiščete območje, da najdete dolge vodnike, ki prenašajo signale.

Podzemni vodi se vzbujajo z oddajnikom za vode. Temu aktivnemu signalu nato sledite s sprejemnikom, kot je Scout.

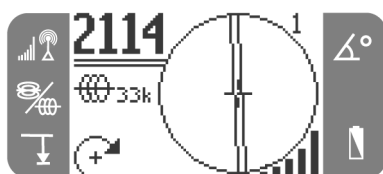
1. Oddajnik za vode priključite na vod po navodilih proizvajalca.

»Oddajnik« je splošno ime za vsako napravo, ki tvori signal, ki mu je mogoče določiti položaj. Uporablja se za opisovanje sonde in naprave, ki vzbuja kabel ali cev.

2. Frekvenco, ki jo uporabljate na oddajniku, uskladite s frekvenco na napravi Scout. Poskrbite, da je prikazana ikona za sledenje voda ~. Pritisnite glavni menijski gumb, da se vrnete na zaslon za določanje položaja.



3. Pri začetku sledenja priporočamo, da najprej opazujete moč signala, da vidite, ali pade, ko napravo Scout odmaknete. Steber usmerite proti kablom ali samemu oddajniku, če uporabljate induktivni način. Signal bi moral doseči konico nad vodom in na vsaki strani upasti. Če se moč signala NE ujema s črtami na zaslonu, je signal morda popačen.
4. Pri sledenju se napeljava cevi ali kabla prikaže na zaslonu z dvema polnima črtama. Če črti ohranite na sredini, naprava Scout sledi vodu pod zemljo. Če se črta premakne v levo ali desno, premaknite napravo Scout, da se črta vrne na sredino. Signal, ki ga oddaja vod, je najmočnejši neposredno nad vodom. Če ni tako, je prisotno popačenje.



OPOMBA Pri uporabi frekvenci sledenja voda sta na zaslonu dve črti. Pri uporabi frekvence sonde je ekvator ena črta.

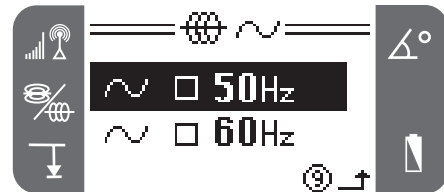
POZOR Pazite na motnje v signalu, ki lahko povzročijo nenatančne odčitke. Očitano globino obravnavajte kot oceno, zato dejansko globino pred kopanjem preverite z razkritjem voda.

5. Pri začetku sledenja priporočamo, da najprej opazujete moč signala, da vidite, ali pade, ko napravo Scout odmaknete. Steber usmerite proti kablom ali samemu oddajniku, če uporabljate induktivni način. Signal bi moral doseči konico nad vodom in na vsaki strani upasti. Če se moč signala NE ujema s črtami na zaslonu, je signal morda popačen.

6.1 Pasivno sledenje izmeničnemu vodu

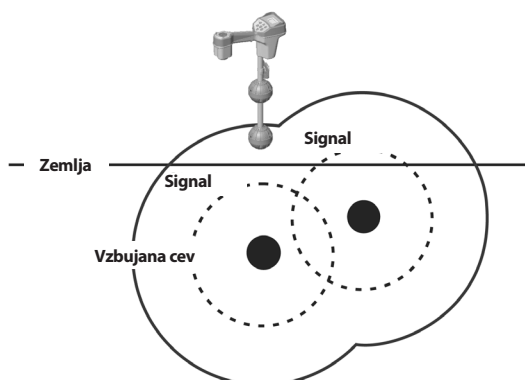
V pasivnem načinu naprava Scout zaznava izmenični tok ali izmenična polja. Zakopani vodi praviloma ne oddajajo sledljivega signala, če po njih ne teče tok. Izključenim cestnim svetilkam je na primer težko slediti pasivno.

1. Izberite frekvenco za pasivno izmenično sledenje z ikono za pasivno sledenje voda ~.
2. Naprava Scout ima dve standardni (2) frekvenci za pasivno sledenje. To sta 50 Hz in 60 Hz.

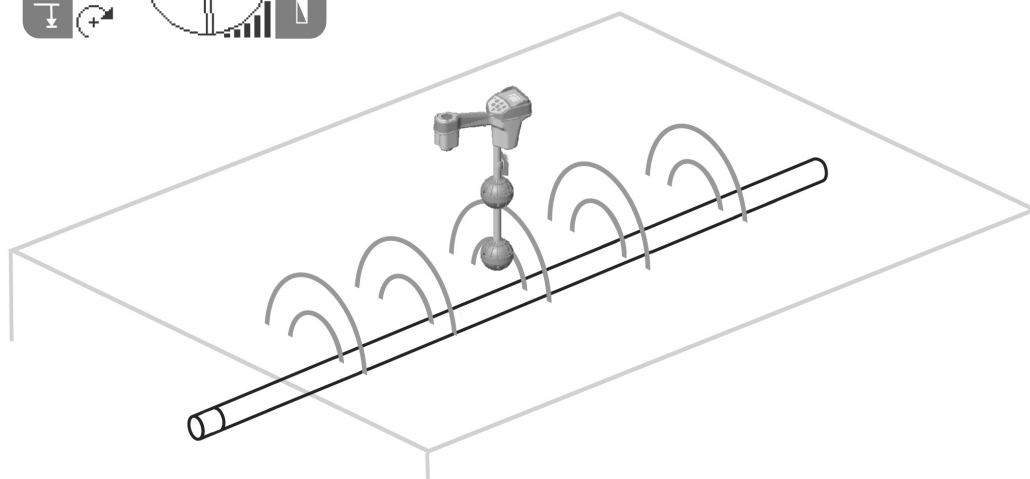
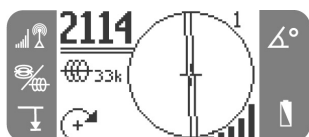


6.2 Nasveti za uporabo za sledenje vodov

- **Ko črte niso na sredini zemljevida, vendar je moč signala največja, je prisotno popačenje!**
 - a. Poskusite zmanjšati uporabljeno frekvenco.
 - b. Položaj ozemljitvene palice premaknite stran od voda, ki mu sledite.
 - c. Poskrbite, da vod ni galvanško povezan z drugimi napeljavami.
 - Če črt ne morete postaviti na sredino ali če se nepojasnjeno premikajo po zaslonu, naprava Scout morda ne sprejema jasnega signala.
 - a. Preverite oddajnik, da se prepričate, da deluje in da je dobro ozemljen.
 - b. Preverite tokokrog, tako da usmerite spodnjo anteno proti kateremu koli kablom oddajnika.
 - c. Preverite, ali naprava Scout in oddajnik delujeta z isto frekvenco.
 - d. Preizkusite različne frekvence in začnite pri najnižji, dokler ne lahko zanesljivo najdete voda.
 - Tok najlaže teče od najmanjših do največjih vodov (z najmanjšo upornostjo). Primer je sledenje voda iz hiše na ulico.
 - Med sledenjem morata biti signal bližine in moč signala največja, izmerjena globina pa najmanjša na istem mestu, kjer se na prikazovalniku črti postavitva na sredino. Če ni tako, lahko napeljava spreminja smer ali pa so prisotni drugi sklopljeni signali.
 - Visoke frekvence so bolj izpostavljene presluhu zaradi sosednjih napeljav, vendar so lahko potrebne za premagovanje prekinitev v sledilnih žicah ali za prehod preko izolacijskih spojnikov.
 - Kadar oddajnik uporabljate induktivno, obvezno začnite določanje položaja 10 / 15 m stran, da se izognete zračnemu sklopu. To je pojav, ko naprava Scout dobi signal oddajnika neposredno preko zraka in ne preko sledenega voda.
- Če se črti ne postavita na sredino ali če se nepojasnjeno premikata po zaslonu, morda naprava Scout ne sprejema jasnega signala.
- a. Tla so vodoravna.
 - b. Vod je vodoraven.
 - c. Naprava Scout je nad tlemi.
 - d. Steber antene naprave Scout je približno navpičen.
- Če ti pogoji niso izpolnjeni, bodite zelo pozorni, da povečate moč signala na največjo vrednost. Če je naprava Scout od vira signala odmaknjena za manj kot približno dve globini vira signala, bo zemljevid na splošno uporaben ter točen. Tega se zavedajte, kadar uporabljate zemljevid, če sta cilj ali vod zelo plitva. Če je vod izredno plitev, je lahko širina uporabnega območja iskanja na mikro zemljevidu majhna.



Mikro zemljevid – primer – sledenje voda



7. Meni z orodji

7.1 Spreminjanje enot globine

Naprava Scout lahko spremeni enote merjenja globine v čevlje ali metre. Za spremembo teh nastavitvev označite ikono globine v meniju z orodji in pritisnite izbirno tipko, da preklopite med čevlji in metri.



7.2 Samodejna osvetlitev zaslona

Nizke ravni svetlobe zazna tipalo svetlobe, ki je vgrajeno v zgornji levi vogal tipkovnice. Osvetlitev prikazovalnika lahko prisilno vklopite tako, da prekrijete dostop svetlobe do tipala s prstom.

Samodejna osvetlitev prikazovalnika LCD je tovarniško nastavljena tako, da se vključi le v precej temnih okoliščinah. To služi varčevanju z baterijami. Ko so baterije skoraj prazne, je osvetlitev ozadja videti temna. Proti koncu življenjske dobe baterij deluje osvetlitev ozadja pri zelo nizki svetlosti, da se prihrani energija baterij.

Za izklop osvetlitve ozadja označite ikono lučke v razdelku menija z orodji in pritisnite izbirno tipko za preklop med samodejno nastavitvijo ter izklopom.



7.2.1 Kontrast prikazovalnika LCD

Ko je to označeno in izbrano, lahko kontrast prikazovalnika LCD nastavite s puščicami gor in dol.



8. Uporabne informacije

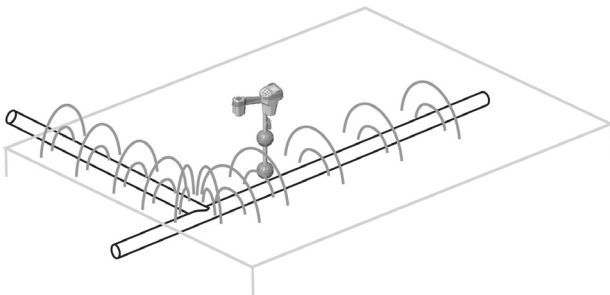
8.1 Motnje signala

8.1.1 Popačena polja

Včasih lahko polje naleti na kovino ali druge feromagnetne materiale v zemlji, ki lahko popačijo silnice polja. To so lahko drug vod, zakopani odpadki ali stari neuporabljeni vodi, ki lahko premostijo ali skrajšajo silnice polja. V tem primeru lahko naprava Scout prikaže šibkejši signal okoli predmeta in močnejši signal neposredno nad njim. Predmet se lahko obnaša tudi kot leča, ki nepredvidljivo ojači ali oslabi signal.

8.1.2 Sestavljena polja

Možna so tudi sestavljena polja. Ko eno polje sreča drugo, lahko skupaj (ali več polj) ustvarita močnejši signal. Pomembno je, da to uporabniki razumejo, zlasti v bližini T-kosov ali kolen v vodih, kjer se pogosto pojavljajo sestavljena polja.



Sestavljeno polje, ki je prikazano okoli povezave v vodu.

8.1.3 Šum

Motilni signali (šum) so del izziva pri določanju položaja. Motnje so lahko na frekveni, ki jo uporabljate, ali »zunaj pasu« na drugih frekvencah. Nekateri od največjih motilnih signalov nastajajo v opremi za prenašanje električne energije. Močnostni transformatorji, veliki elektromotorji, generatorji in vodi so lahko viri zelo močnih motilnih signalov. Po možnosti se izognite območjem, kjer je posebno veliko šuma.

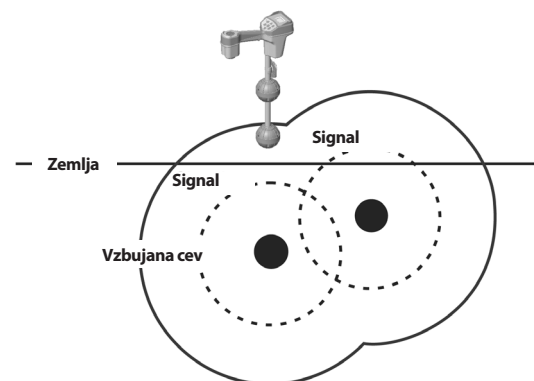
Če je prikaz kota nestabilen in nestalen in/ali če ravni signala niso stalne, je to dober znak, da ni ciljnega signala (sonda ali vzbujeni vod) ali da je prisotna visoka raven motilnega šuma.

8.2 Opombe o točnosti

Meritve globine in moči signala zahtevajo, da naprava Scout sprejme močan signal. Ne pozabite, da se naprava Scout uporablja nad tlemi za zaznavanje elektromagnetnih polj iz podzemnih vodov (električni vodniki, kot so kovinski kabli in cevi) ali sond (aktivni oddajniki). Ko so polja preprosta in nepopačena, so zaznana polja skladna s položajem zakopanega predmeta. Če so ta polja popačena in je prisotnih več polj, ki medsebojno učinkujejo, to povzroči nenatančno določanje položaja z napravo Scout. Določanje položaja ni popolnoma nedvoumno. Uporabnik mora pri tem uporabiti svojo presojo in upoštevati morebitne druge razpoložljive informacije poleg odčitkov instrumenta. Naprava Scout daje uporabniku več informacij, vendar mora uporabnik te informacije pravilno interpretirati. Noben proizvajalec iskalnikov ne trdi, da mora uporabnik slediti izključno informacijam iz njegovega instrumenta.

Pri ocenjevanju točnosti določanja položaja se vprašajte o naslednjih pogojih:

- **Kadar so prisotni drugi kabli ali napeljave.** »Presluh« lahko povzroči popačenja polja in nehote označi vode. Po možnosti uporabite nižje frekvence in odpravite vse povezave med vodoma.



- **Pri uporabi induktivnega oddajnika.** To daje šibek signal voda. Po možnosti vedno uporabite neposredno povezavo.
- **Kadar so v napeljavi prisotni T-kosi ali razcepitve.** To lahko popači signal.
- **Kadar je moč signala nizka.** Za točno določanje položaja je potreben močan signal.
- **Kadar se spreminjajo pogoji zemlje.** Izredni pogoji vlage, na primer čezmerno suha ali razmočena zemlja, lahko vplivajo na meritve. Če so na primer tla nasičena s slano vodo, na primer ob obali, se signal močno oslabi in ga bo zelo težko poiskati.

9. Prevoz in shranjevanje

Pred prevozom poskrbite, da je enota izključena, da prihranite energijo baterij.

Med prevozom poskrbite, da je enota trdno pritrjena, da ne bo poskakovala in da ne bo izpostavljena udarcem zaradi nepritrjene opreme.

Napravo Scout hranite na suhem hladnem mestu.

Če napravo Scout skladiščite dalj časa, odstranite baterije.

10. Vgradnja/uporaba dodatne opreme

Naprava Scout ima priložene oznake, s katerimi lahko označite položaje polov in sonde na zemlji. Priloženi sta dve (2) rdeči oznaki za pole in ena (1) rumena oznaka za sondo.

Če potrebujete več pomoči, se obrnite na svojega prodajalca ali predstavnika podjetja RIDGID.

11. Vzdrževanje in čiščenje

⚠ OPOZORILO

1. Napravo Scout čistite z vlažno krpo in blago milnico. Ne smete je potopiti v vodo.
2. Pri čiščenju ne uporabljajte orodij za drgnjenje ali abrazivnih sredstev, saj lahko trajno opraskate prikazovalnik. Za čiščenje poljubnega dela sistema NIKOLI NE UPORABLJAJTE TOPIL. Snovi, kot so aceton ali druge ostre kemikalije, lahko povzročijo razpoke v ohišju.

14. Vodnik za odpravljanje težav

TEŽAVA	MOŽNO MESTO TEŽAVE
Naprava Scout se med uporabo blokira.	Izklopite in znova vklopite enoto. Če enote ne morete izklopiti, odstranite baterije.
Med sledenjem črte »skačejo« po prikazu mikro zemljevida.	To pomeni, da naprava Scout ne zaznava signala ali da so prisotne motnje. Poskrbite, da je oddajnik dobro priključen in ozemljen. Napravo Scout usmerite k vsakemu kablu, da se prepričate, da je tokokrog zaključen. Poskusite uporabiti višjo frekvenco. Poskusite določiti vir šuma in ga odpravite.
Med iskanjem sonde črte »skačejo« po zaslonu.	Preverite, ali delujejo baterije v sondi. Preverite signal, tako da spodnjo anteno približate sondi. Opomba – sonde težko oddajajo signale skozi vode iz litega in duktilnega železa.
Razdalja med sondo in obema poloma ni enaka.	Sonda je nagnjena ali pa je prisoten prehod med litim železom in plastiko.
Enota se obnaša nepredvidljivo in je ni mogoče izklopiti.	Baterije so morda prazne. Zamenjajte baterije in vklopite enoto.
Prikazovalnik je popolnoma temen ali popolnoma svetel, ko je enota vklopljena.	Poskusite izklopiti in nato ponovno vklopiti enoto. Nastavite kontrast prikazovalnika LCD.
Ni zvoka.	Nastavite raven zvoka v meniju zvoka.
Naprava Scout ne zazna signala.	Preverite pravilno nastavitve načina in frekvence.
Naprava Scout se ne vklopi.	Preverite usmeritev baterij. Preverite, ali so baterije napolnjene. Preverite, ali so stiki baterij brezhibni. V enoti je morda pregorela varovalka (potreben je tovarniški servis).

12. Iskanje pokvarjenih delov

Za predloge za odpravljanje napak glejte Vodnik za odpravljanje napak na koncu priročnika. Po potrebi se obrnite na podjetje Ridge Tool ali svojega prodajalca za več informacij in pomoči.

13. Servisiranje in popravila

⚠ OPOZORILO

Orodje je treba odnesti v samostojni pooblaščen servisni center RIDGID.

15. Tehnični podatki

Teža z baterijami.....	1,4 kg
Teža brez baterij.....	1 kg
Mere	
Dolžina.....	28,5 cm
Širina.....	11,0 cm
Višina.....	56,0 cm
Vir napajanja	
4 alkalne baterije velikosti C z napetostjo 1,5 V (ANSI/NEDA 14 A, IEC LR14) ali polnilne baterije NiMH ali NiCd z napetostjo 1,2 V	
Nazivna moč: 6 V, 550 mA	
Delovno okolje	
Temperatura.....	od 20 do 50°C
Vlažnost.....	od 5 do 95% relativne vlage
Temperatura skladiščenja.....	od -20 do 60°C
Standardne frekvence	
Sonda.....	512 Hz, 640 Hz, 874 Hz, 33 kHz
Aktivno sledenje voda.....	512 Hz, 8 kHz, 33 kHz
Pasivno sledenje voda.....	60 Hz, 50 Hz

Privzete nastavitve

Privzete nastavitve za iskalnik so:

- Enote globine = metri in centimetri
- Glasnost = 1 (ena stopnja nad izklopom zvoka)
- Osvetlitev ozadja = samodejno


Standardna oprema

- Iskalnik Scout
- Oznake in držalo stebra
- 2 priročnika za uporabnika: ZDA + Evropa
- 4 baterije C (alkalne)
- Video PAL

Dodatna oprema

- Dodatne oznake za pola/sondo
- Oddajnik NaviTrack
- Indukcijska objemka
- Baterijska sonda
- Plovec

16. Legenda ikon:

IKONE PRIKAZA	
	Frekvenca sonde
	Frekvenca aktivnega iskanja
	Frekvenca pasivnega (izmeničnega) sledenja
	Raven zvoka
	Raven napolnjenosti baterije
	Globina
	Kazalnik vodoravnega kota
	Moč signala
	Meni z orodji
	Kontrast prikazovalnika LCD
	Osvetlitev ozadja prikazovalnika LCD
IKONE TIPKOVNICE	
	Uporaba menijev
	Ponastavitev zvočnega tona/izbira menijske točke
	Uporaba menija/prisilna globina (3-sekundni pritisk)
	Tipka za vklop/izklop
	Menijska tipka
	Tipka za sondo/sledenje/način frekvence
	Tipka za glasnost

SR

NaviTrack Scout Uputstva za rad

Prevod originalnog priručnika



OPŠTE SIGURNOSNE INFORMACIJE

UPOZORENJE! Pročitajte i razumite sva uputstva. Ukoliko ne pratite sva uputstva koja su dole navedena, može da dođe do strujnog udara, požara i/ili ozbiljne povrede.

**PROČITAJTE PRILOŽENE SIGURNOSNE INFORMACIJE.
SAČUVAJTE OVA UPUTSTVA!**

EZ deklaracija o usaglašenosti (890-011-320.10) će biti obezbeđena uz ovo uputstvo kao zasebna brošura na zahtev.

Mere opreza pri radu sa baterijom

- **Koristite samo naznačenu veličinu i tip baterije. Nemojte mešati tipove ćelija (npr. nemojte koristiti alkalne sa baterijama koje se mogu puniti).** Nemojte zajedno koristiti delimično ispražnjene i potpuno napunjene baterije (npr. nemojte mešati stare i nove).
- **Baterije dopunjavajte sa uređajima za punjenje koje je precizirao proizvođač baterija.** Korišćenje neodgovarajućeg punjača može dovesti do pregrevanja i pucanja baterije.
- Propisno odstranite baterije. Izlaganje baterija visokim temperaturama može izazvati eksploziju, zato ih nemojte baciti u vatru. U nekim zemljama postoje propisi za odlaganje baterija u otpad. Poštujte sve važeće propise.

1. Način upotrebe i briga o Scout uređaju

- **Koristite opremu isključivo prema uputstvu.** Nemojte raditi sa Scout uređajem dok ne završite kompletnu obuku i ne pročitate priručnik za korišćenje.
- **Nemojte antene potapati u vodu.** Čuvajte ih na suvom mestu. Ove mere će se smanjiti rizik od strujnog udara i oštećenja instrumenta.
- **Proverite da neki delovi nisu popucali i da li postoje neki drugi uslovi koji mogu imati uticaj na rad Scout uređaja.** U slučaju oštećenja, servisirajte instrument pre korišćenja. Mnoge nezgode su izazvane alatom koji se ne održava dobro.
- **Koristite isključivo dodatnu opremu koju proizvođač preporučuje za Scout.** Pribor koji je možda pogodan za jedan instrument može postati opasan kada se koristi sa nekim drugim.
- **Održavajte ručke suvim i čistim; bez ulja i masti. To omogućuje bolju kontrolu nad instrumentom.**
- **Zaštitite opremu od prekomerne toplote.** Proizvod treba da bude odložen daleko od izvora toplote, kao što su radijatori, grejalice, šporet ili drugi proizvodi (uključujući pojačala) koji stvaraju toplotu.

1.1 Servisiranje

- **Servisiranje dijagnostičkog instrumenta mora biti obavljeno samo od strane kvalifikovanog osoblja za popravke.** Servisiranje ili održavanje obavljeno od strane nequalifikovanog osoblja za popravke bi moglo da prouzrokuje povrede.

- **Obezbedite odgovarajuće čišćenje.** Izvadite bateriju pre čišćenja. Ne koristite tečna sredstva za čišćenje ili sredstva za čišćenje u vidu spreja. Za čišćenje koristite vlažnu krpnu.
- **Obavite sigurnosnu proveru.** Nakon završetka servisiranja ili popravke pozovite servisnog tehničara sa obavi sigurnosne provere da bi se ustanovilo da li je proizvod u propisnom radnom stanju.
- **Oštećenja na proizvodu koja zahtevaju servisiranje.** Izvadite baterije i za servisiranje se obratite kvalifikovanim serviserama:
 - Ako se izlila tečnost ili su strani predmeti upali u proizvod.
 - Ako proizvod ne funkcioniše pravilno, iako se sledi uputstvo za upotrebu.
 - Ako je proizvod pao ili je na bilo koji način oštećen.
 - Ako se proizvod ponaša neobično u toku rada.

U bilo kojoj prepisci, molimo da navedete sve informacije prikazane na natpisnoj pločici vašeg alata, uključujući broj modela i serijski broj.

1.2 Važno upozorenje

Scout je dijagnostički alat koji je osetljiv na elektromagnetna polja koja emituju objekti ispod zemlje. To je sredstvo koje pomaže korisniku u lociranju ovih objekata prepoznavanjem karakterističnih linija polja i njihovim prikazom na ekranu. Kako linije elektromagnetnog polja mogu biti deformisane i pomešane, važno je da se proveru lokacija objekta ispod zemlje pre iskopavanja.

Neki komunalni vodovi se mogu nalaziti ispod zemlje u istom području.

Vodite računa da sledite lokalne smernice.

Izlaganje objekta je jedini način da potvrdite njegovo postojanje, lokaciju i dubinu.

Ridge Tool Co., njene filijale i dobavljači neće snositi nikakvu odgovornost za povrede ili bilo koja direktna, indirektna, slučajna ili posledična oštećenja, koja su nastala ili su se pojavila zbog korišćenja Scout uređaja. Neki komunalni vodovi se mogu nalaziti ispod zemlje u istom području. Vodite računa da sledite lokalne smernice.

2. Uvod u Scout

Scout™ detektor sonde i vodova koristi antene usmerene u različitim pravcima i naprednu obradu da bi utvrdio tačan položaj sonde i pronašao zakopane komunalne vodove bzo, tačno i jednostavno.

2.1 Koje su njegove jedinstvene karakteristike?

Scoutova napredna tehnologija pruža nekoliko jedinstvenih karakteristika koje premašuju konvencionalne detektore:

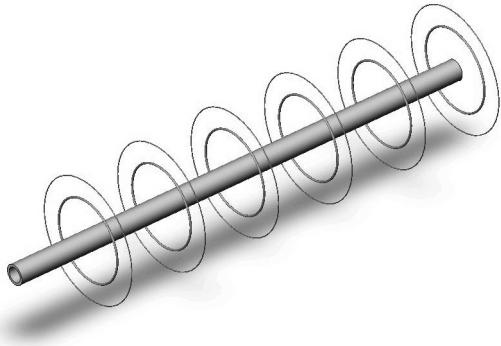
- Antenski sistem sa višestrukim usmerenjem.
- Prikaz mikro mape.
- Pokazuje posebne karakteristike signala.

2.2 Šta on radi?

Scout se koristi iznad zemlje da oseti elektromagnetna polja emitovana ispod zemlje ili skrivene vodove (električni provodnici nalik metalnim kablovima ili cevima) ili sonde (aktivni prenos signala). Kada su magnetna polja prosta i nedeformisana, tada primećena magnetna polja predstavljaju podzemni objekat. Scout locira provodne objekte koji emituju magnetno polje; on ne očitava podzemne objekte direktno.

Električna polja koja emituju podzemni objekti mogu biti dva vrste; prvi tip emituju dugački provodnici kao što su energetske kablove, potisne sajle kamere za pregled ili cevi.

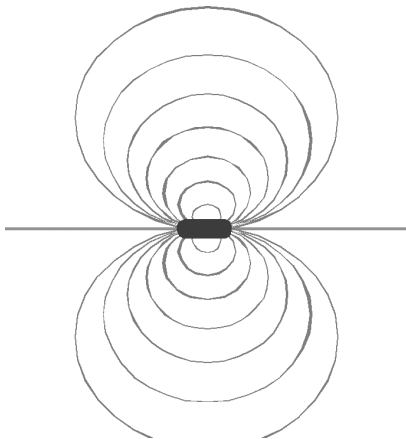
Ovi objekti stvaraju dugačko cilindrično polje i ono se često naziva "linija" traženja.



Polje se emituje od strane naelektrisanog voda.

(Pasivno, traženje naizmjenične struje je samo specijalan slučaj kada je vod "pobuđen" električnim naponom.)

Drugi tip, sonde (takozvani odašiljači, signalizatori ili aktivne cevne sonde), emituju polje drugačijeg oblika i Scout je programiran da izmeri i prikaže ovaj tip magnetnog polja. Složeniji oblik polja koje daje sonda se zove dipolarno magnetno polje i ono je istovetno kao da je stvoreno od strane magnetne šipke i naše planete Zemlje.

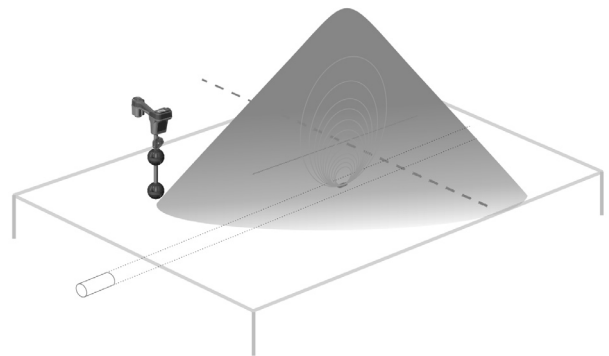


Sonda emituje dipolarno magnetno polje.

Elektromagnetna polja imaju tri (3) važne karakteristike: frekvenciju, jačinu i ugao (pravac). Za razliku od konvencionalnih detektora, koji mogu izmeriti samo jačinu u pravcu pojedinačne antene(a), Scout meri i signal jačine i signal ugla polja u tri dimenzije (3D). Ovo pojačava kapacitet čineći mogućim prikaz mape.

Iskusan rukovaoc može da iskoristi ovu dodatnu informaciju da ubrza postupak lociranja i razmrsi složenu situaciju lociranja. S druge strane, novajlija ili povremeni korisnik, može lako da pronađe traženi objekat koristeći samo jačinu signala.

Scoutovo pravilo lociranja #1 je da se dobije veliki broj! –
Maksimiziranje jačine signala je ključni, primarni metod lociranja.



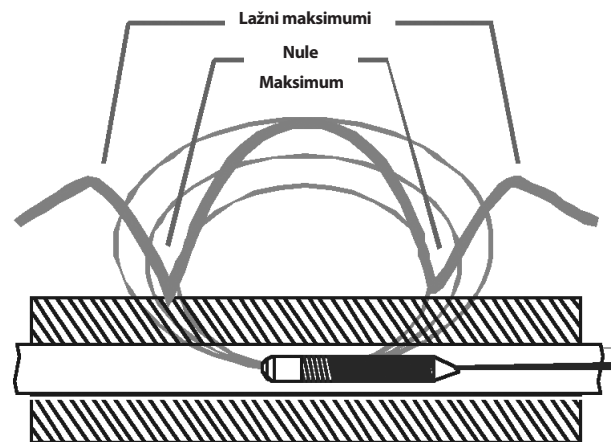
Primer kako Scout vrši maksimizovanje neposredno iznad sonde.

Bilo da je u pitanje traženje vodova ili lociranje sonde, maksimalna jačina signala se pojavljuje iznad cilja. Dubina se prikazuje kada ste iznad cilja.

2.3 Šta je prednost Scoutovog višestrukog usmerenja?

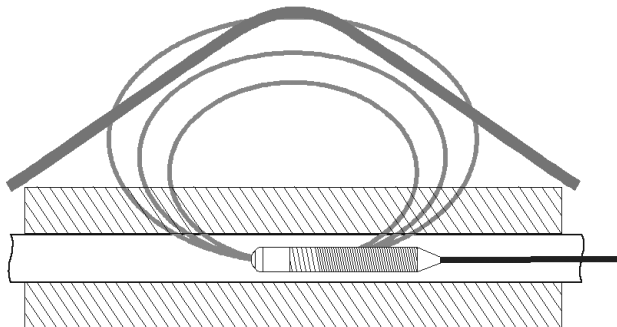
Uvid u sve signale sa višestruko usmerenim antenama daje određene prednosti:

1. Signal uvek postaje jači sa približavanjem korisnika cilju.
2. Eliminisu se nule i "avetinjski maksimumi". Signal konvencionalnog detektora ima maksimum, zatim nulu a zatim manji skok. Ovo može zbuniti rukovaoca, posebno ako manji skok protumači kao cilj (poznato kao "Avetinjski" ili "Lažni" maksimumi). Scout vidi samo jedan maksimum da bi naveo rukovaoca na cilj.



Signal sonde "viđen" od strane konvencionalnog detektora. Glavni maksimum u centru i dva lažna maksimuma izvan dve nule.

Maksimum



Signal sonde "viđen" od strane Scout uređaja. Samo jedan maksimum, bez nula.

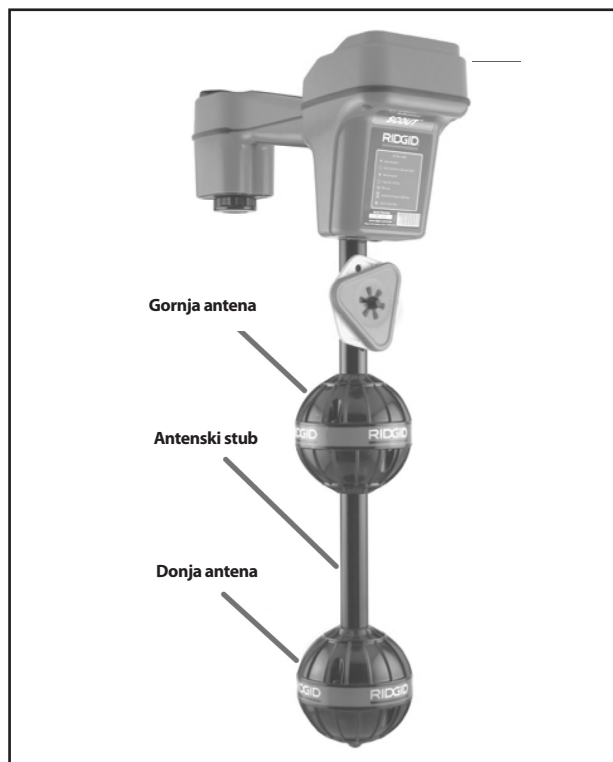
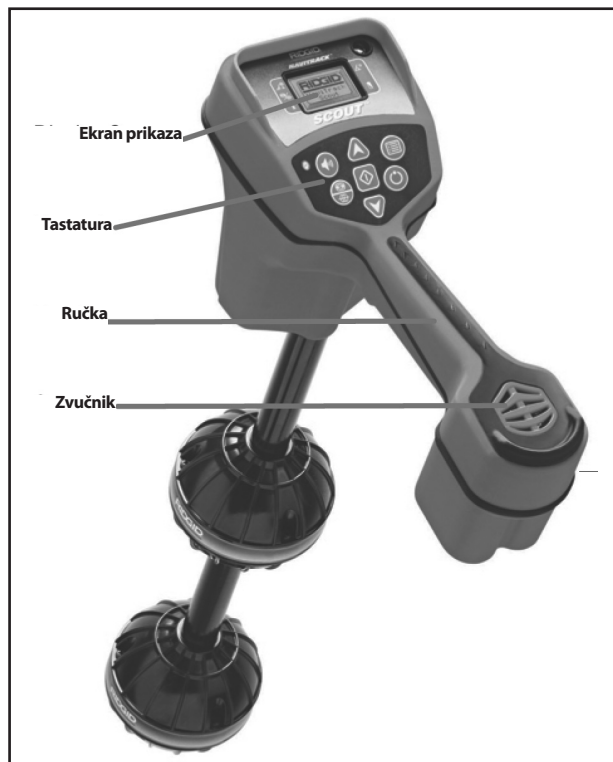
3. Način na koji se uređaj drži ne utiče na jačinu signala. Korisnik se može približavati iz nekog pravca i nije potrebno da zna položaj cevi ili žice.
4. Dodatni alati za prepoznavanje i rešavanje "teških" poslova lociranja obuhvataju grafičku mikro mapu i indikator ugla kao pomoć za tumačenje karakteristika signala.

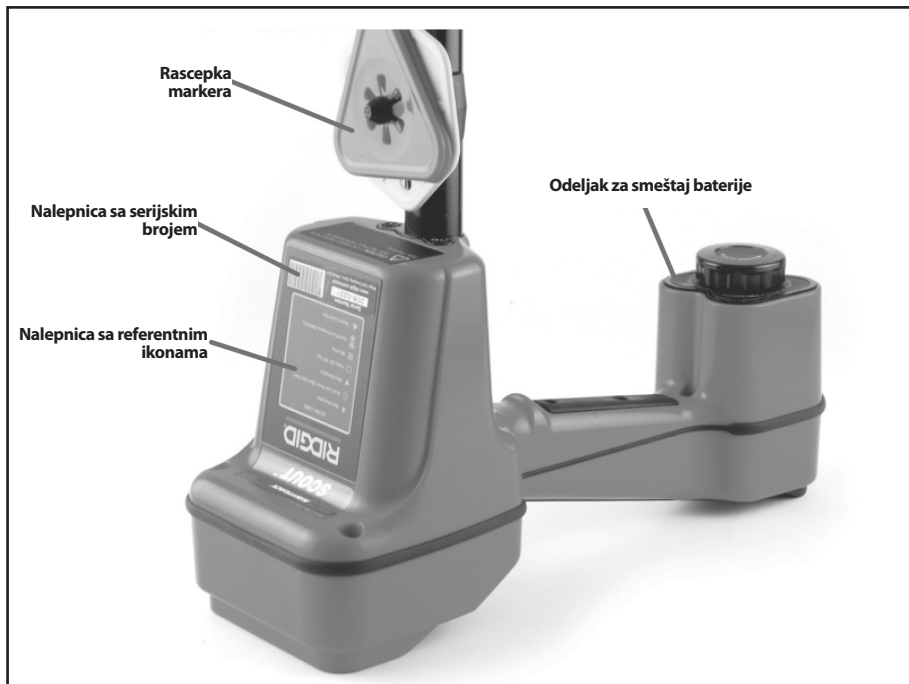
2.4 Šta je prednost mikro mape?

Mapa obezbeđuje grafiku koja prikazuje karakteristike signala. To je "ptičje" oko koje vidi signal iz podzemlja i prikazuje ga grafički na ekranu. On se koristi kao vodič za traganje za podzemnim vodovima i može se koristiti za bolje određivanje položaja sonde. On takođe može biti korišćen za dobijanje više informacija za složena lociranja.

Pomeranjem detektora iznad zemlje Scout prolazi preko signala koji emituju podzemni objekti. Ovo omogućuje rukovaocu da na ekranu vidi, vizuelizaciju signala i zatim ga markira. Konvencionalni detektori ne mogu da mapiraju podzemni signal zato što njihove antene ne mogu da vide njegov kompletan oblik.

3. Delovi Scout detektora

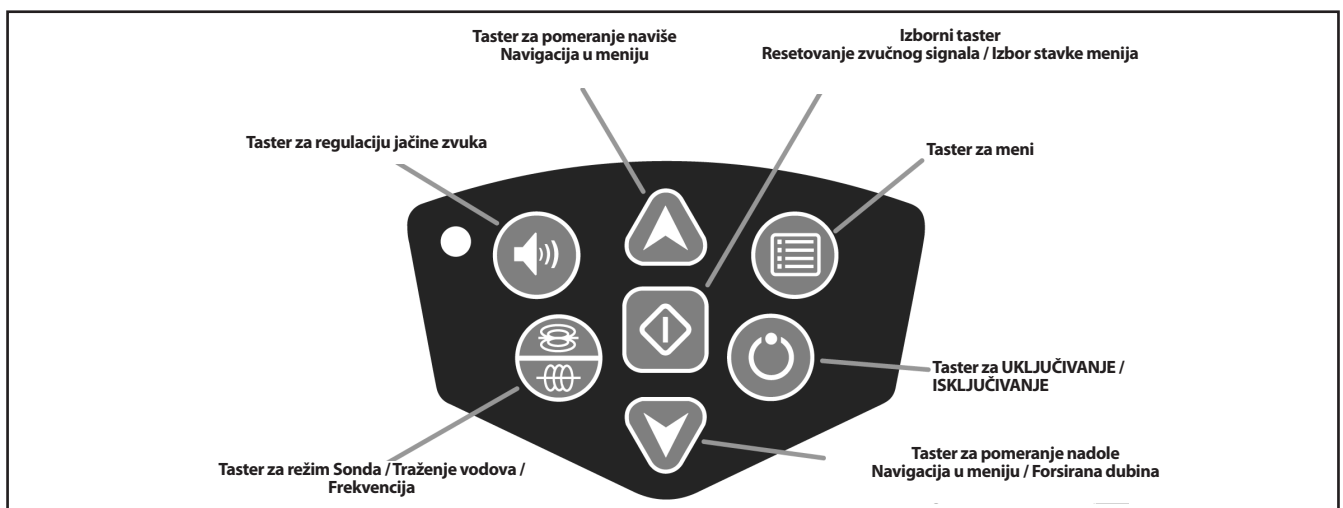




Ekran prikaza



Tastatura



Taster za regulaciju jačine zvuka – otvara i zatvara meni za regulaciju jačine zvuka.

Taster za režim Sonda/Traženje vodova/frekvencija – prebacuje aktivne frekvencije i funkcije.

Taster za pomeranje naviše – pomeranje naviše kroz biranje menija.

Izborni taster – biranje označenog izbora kada je meni otvoren.

Taster za pomeranje naniže – pomeranje naniže kroz biranje menija.

Taster za meni – otvara/zatvara meni.

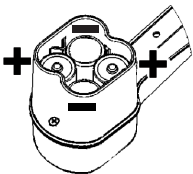
Taster za UKLJUČIVANJE/ISKLJUČIVANJE – uključivanje ili isključivanje Scout detektora.

4. Startovanje

4.1 Ugradnja/zamena baterija

Da bi ugradili baterije u Scout, do kraja okrenite jedinicu da bi pristupili odeljku za bateriju. Okrenite dugme na poklopcu baterije u smeru suprotnom od smera kretanja kazaljke na časovniku. Povucite ravno naviše držeći za dugme da bi uklonili poklopac. Umetnite baterije kao što je prikazano na unutrašnjoj oznaci i uverite se da ste ostvarili potpuni kontakt.

Postavite poklopac na kućište i okrenite dugme u smeru kretanja kazaljke na časovniku sve dok se polako ne pritisne uz kućište. Poklopac baterije može biti ugrađen i u drugom smeru.



Kada se Scout uključi, potrebno je nekoliko sekundi za proveru baterije. Do tada će indikator napunjenosti baterije pokazivati da je "prazna".

⚠ UPOZORENJE

Nemojte dozvoliti ulazak prljavštine u odeljak za bateriju. Prljavština u odeljku za baterije može prouzrokovati kratak spoj na kontaktima, vodeći ka brzom pražnjenju baterije, što može dovesti do curenja elektrolita ili stvoriti rizik od požara.

4.2 Operativno vreme

Tipično operativno vreme za Scout detektor kada se koriste alkalne baterije je u opsegu od 12 do 24 sata u zavisnosti od faktora kao što su jačina zvuka i koliko često je uključeno pozadinsko osvetljenje. Drugi faktori koji utiču na vreme trajanja sadržani su u hemiji baterije (neke od novih baterija visokih performansi, kao što su "Duracell® ULTRA" traju 10% - 20% duže od konvencionalnih alkalnih ćelija u visoko zahtevnim primenama). Rad na niskim temperaturama će takođe smanjiti radni vek baterije.

Da bi se očuvao radni vek baterije, Scout će se automatski isključiti ako se 1 sat ne pritisne taster. Samo uključivanje jedinice omogućuje nastavak rada.

4.3 Paljenje i gašenje

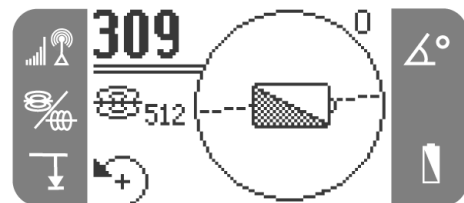
Uključite napajanje pritiskom na taster za uključivanje na tastaturi. Prikazuje se RIDGID® logo i u donjem desnom uglu ekrana će se prikazati broj verzije softvera.



Isključite napajanje pritiskom i otpuštanjem tastera za uključivanje na tastaturi. Treba da znate da postoji kašnjenje od 5 sekundi dok se jedinica ne uključi/isključi.

4.4 Upozorenje da je baterija ispražnjena

Kada baterija postane skoro prazna, ikona baterije će se prikazivati u području mape na ekranu. To ukazuje da je potrebno zameniti bateriju i da će se uređaj uskoro ugasi.



Samo pre potpunog gašenja moći ćete da izvedete neometanu sekvencu gašenja.

U nekim slučajevima napon baterija koje se mogu puniti može brzo pasti tako da izgleda kao da se uređaj isključio. Jedinica će se isključiti i restartovati. Samo zamenite baterije i ponovo uključite jedinicu.

5. Podešavanje

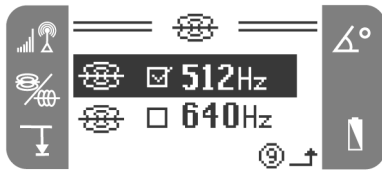
Nakon što se Scout uključi i stavi u pogon, sledeći korak je da se podeše frekvencije potrebne za prilagođavanje opremi koja treba da bude locirana. Svaka je aktivirana za korišćenje njenim biranjem spisku menija.

1. Pritisnite taster za meni, označite izbor, zatim pritisnite izborni taster da bi aktivirali:



2. Koristeći strelice za pomeranje naviše i naniže označite frekvenciju da je podesite na onu koja se koristi u sondi ili u linijskom odašiljaču, zatim pritisnite izborni taster da potvrdite polje. Pogledajte Biranje menija kao referencu. Pritisnite taster za meni da bi se vratili na glavni ekran.





⚠ UPOZORENJE

Vodite računa da je izabrana frekvencija usaglašena sa željenim korišćenjem. Frekvencije 512 i 33 su na raspolaganju za sondu I traženje vodova. Korišćenje frekvencije sonde za traženje vodova ili obrnuto, može prouzrokovati da Scout prikaže netačnu informaciju o dubini.

3. Sada pritisnete taster za režim sonda/traženje vodova/frekvencija da prođete kroz aktivirane frekvencije i režime. Obratite pažnju na ikone na ekranu da bi videli u kom režimu Scout radi.



4. Ako treba podesiti dubinu, automatsko pozadinsko svetlo ili kontrast LCD ekrana označite izbor u sekciji alata u meniju i izvršite izmene koristeći izborni taster.



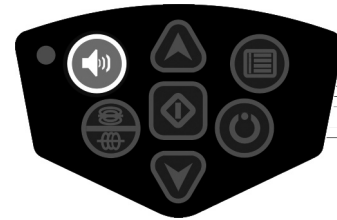
5.1 Biranje menija

Frekvencije u režimu sonde		512 Hz 640 Hz 874 Hz 33 Hz
Frekvencije u režimu traženja vodova		50 Hz (pasivno) 60 Hz (pasivno) 512 Hz 8 kHz 33 kHz
Meni alata		Stopa/metri Automatsko pozadinsko svetlo Kontrast LCD ekrana

5.2 Zvuk kod Scout detektora

Zvuk je povezan sa povećanjem ili smanjenjem jačine signala. On se podiže po visini i jačini kada se signal pojačava i pada kada signal slabi. Kako signal raste stepenasto će se povećavati maksimum i jačina što je samo način više

da se pomogne pri pomeranju rukovaoca na maksimalnu jačinu signala. Ako jačina signala pada, zvuk se vraća na osnovni tremolo kao da nema signala. Scout ima jedno automatsko pojačanje. Kada se pojačanje pomera gore ili dole zvučni korak će se resetovati na viši ili niži intenzitet. Jačinu zvuka podesite pritiskom na taster za zvuk.



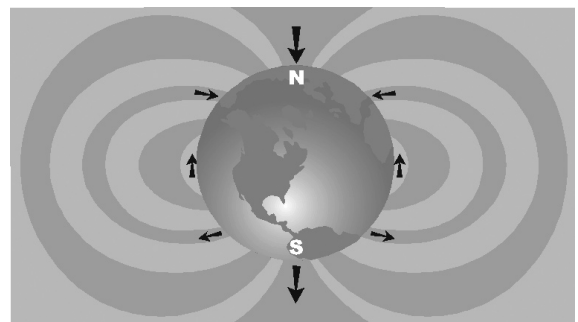
Jačina se menja svaki put kada pritisnete taster za zvuk ili takođe možete upotrebiti tastere sa strelicama naviše ili naniže da bi podesili jačinu zvuka. Pritisnite izborni taster da izađete iz ovog ekrana.



NAPOMENA Pritisak na izborni taster u toku normalnog rada će postaviti visinu zvuka na srednji nivo.

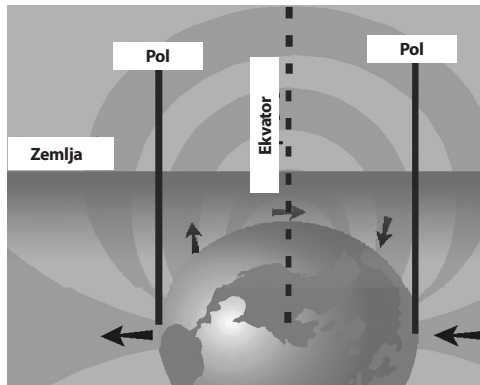
5.3 Pregled - razumevanje sonde i Scout detektora

Sonde (takođe poznate pod nazivom odašiljači, signalizatori ili aktivne cevne sonde) emituju elektromagnetno polje veoma slično magnetnom polju koje potiče od Zemlje.



U stvari, ako je Zemlja nagnuta na stranu, njeno magnetno polje će izgledati veoma slično polju sonde.

Kao detektor, Scout može da izmeri oblik (ugao) linija polja sonde i da identifikuje posebne karakteristike tih linija. Tri važne karakteristike su dva **POLA** i **EKVATOR**. Na polovima je ugao signala 90 stepeni (vertikalno). Na ekvatoru je 0 (horizontalno). Polovi su odvojeni tačkama u prostoru, dok je ekvator kompletno obavijen oko sonde. Budući da su ove posebne karakteristike konstantne, one se mogu koristiti za precizno određivanje položaja sonde.



Polovi se obično javljaju gde konvencionalni detektori doživljavaju "nule", mrtve zone koje se javljaju kada signal prolazi kroz njihove antene vertikalno. Razlika je u tome što Scout može da "vidi" polove ("nule") i prikaže gde se nalaze, **čak i kada se ne nalazite neposredno iznad njih, i bez obzira kako su antene usmerene prema signalu.**

Ovo je jedan od razloga zbog čega je lociranje sa Scout detektorom mnogo lakše nego sa konvencionalnim detektorima.

Sonda se nalazi na mestu gde ekvator direktno prolazi između dva pola.

5.4 Utvrđivanje položaja sonde

Scout se može koristiti za lociranje signala koji emituje sonda (predajnik) u cevi, tako da njena lokacija može biti identifikovana ispod zemlje. Mesto na kome je postavljena sonda može predstavljati problematičnu tačku u slučaju korišćenja kamere, šipke koja se gura ili sajle. Ona takođe može sprečiti ispiranje cevi.

Naredne pretpostavke su da se sonda nalazi u horizontalnoj cevi, da je površina zemlje približno ravna i da se Scout drži tako da je antenski sub u vertikalnom položaju.

VAŽNO Jačina signala je ključni faktor u procesu određivanja položaja sonde. Da bi obezbedili tačno lociranje MORATE voditi računa da maksimalno pojačate jačinu signala pre nego što označite područje za iskopavanje.

5.4.1 Kada locirate sondu podesite lociranje na sledeći način:

- **Pre** postavljanja sonde u vod, upotrebite Scout da bi bili sigurni da radi i da Scout prima signal sonde.
- Kada je sonda na svom položaju i odašilje signal, aktivirajte sondu i podesite istu frekvenciju na Scout detektoru kao kod sonde. Vodite računa da ima ikonu režima sonde

UPOZORENJE

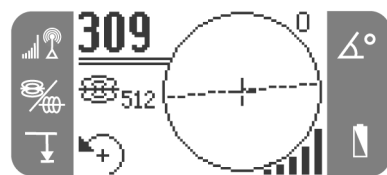
Vodite računa da je izabrana frekvencija usaglašena sa željenim korišćenjem. Frekvencije 512 i 33 su na raspolaganju za sondu i traženje vodova. Korišćenje frekvencije sonde za traženje vodova ili obrnuto, može prouzrokovati da Scout prikaže netačnu informaciju o dubini.

- Idite na pretpostavljenu lokaciju sonde. Ako je pravac cevi nepoznat, ubacite sondu u vod na kratkom rastojanju (~5 m od pristupnog mesta je dobra startna tačka).

5.4.2 Sledeće, upotrebite jednu od sledećih metoda da locirate sondu:

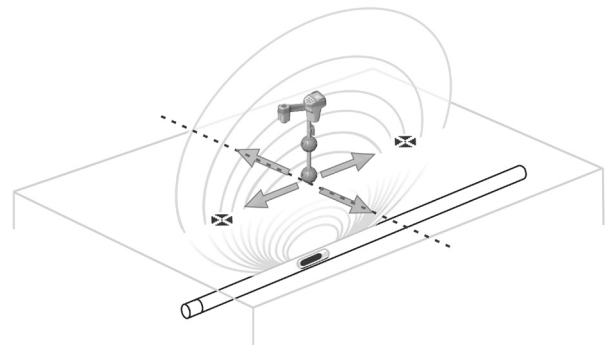
Metoda 1 – Maksimiziranje jačine signala

1. Držite Scout tako da stub bude udaljen od tela. Okrenite stub u pravcu pretpostavljenog položaja sonde dok posmatrate jačinu signala i slušate zvučne signale. Signal će biti najjači kada je stub u pravcu sonde.
2. Spustite Scout u njegov normalni radni položaj (stub je vertikalan) i hodajte u pravcu sonde. Dok se približavate, jačina signala će se povećati i zvučni signal će imati uspon i doći će do maksimuma. Koristite jačinu signala i zvuk da dobijete **maksimalan signal.**



3. Kada se pronade maksimum, postavite Scout blizu zemlje iznad maksimalnog signala i pomerajte ga u svim pravcima da bi se uverili da signal tada opada.

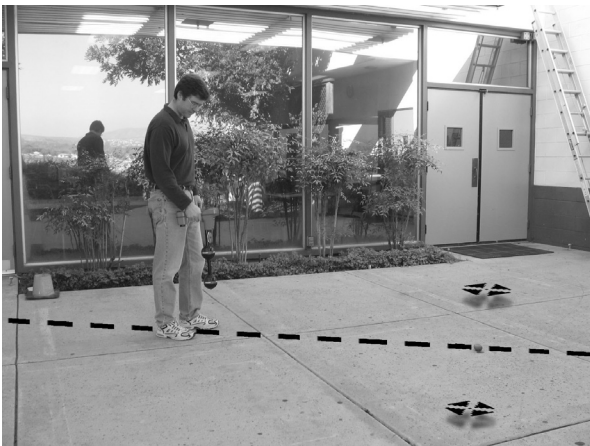
NAPOMENA Proračunava se najjači signal, linija ekvatora može biti na različitom položaju od najjačeg signala ako je sonda nagnuta (pogledajte poglavlje Nagnuta sonda).



Metoda 2 – Praćenje ekvatora – zatim maksimiziranje

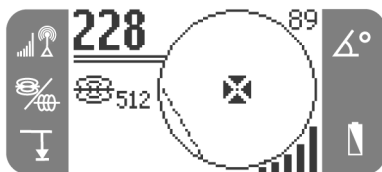
1. Najbolje funkcioniše u otvorenim područjima bez prepreka, **kada je sonda očekivano u horizontalnom položaju.** Okrenite stub i hodajte u pravcu maksimalne jačine signala kao u metodi 1.
2. Kada Scout pokazuje postojanu liniju ekvatora u središtu ekrana, pratite je s obzirom na povećanje jačine signala. Kada dostignete maksimalnu jačinu signala pomerite Scout duž ekvatora i u svim pravcima da bi se uverili da je na maksimumu.

Kada je sonda nagnuta pronađite uverite se da je maksimalni signal na mestu gde treba da se nalazi sonda.



Potvrda položaja sonde.

1. Na mestu gde je maksimalna jačina signala i kada je stub u vertikalnom položaju, pomerite Scout vertikalno na liniju ekvatora na ekranu. Kada se pojavi ikona pola pomerite Scout sve dok se ikona pola ne centrira na osni presek (krsitić) **kada je kugla donje antene** na zemlji. Postavite jedan od narandžastih markera trougla na zemlju u ovoj tački.



Posmatrajte kada je Scout na polu.

2. Pomerite Scout unazad preko linije ekvatora na drugi pol. Centrirajte krsitić na ikonu drugog pola i označite taj položaj kao i ranije.
3. Vratite se nazad na **maksimalnu jačinu signala**. Označite ovu tačku na zemlji sa žutim šestougaonom rascepkom markera. Pomerite polako kuglu donje antene dalje od žutog markera u svim pravcima dok posmatrate prikaz jačine signala. Jačina signala treba da bude maksimalna neposredno iznad sonde.
4. Posmatrajte da bi videli da su sva tri markera poravnata i da je žuti šestougaoni marker približno na pola puta između markera pola.

Ako žuti marker nije u sredini, pogledajte poglavlje o nagnutim sondama.

VAŽNO To što je detektor na ekvatoru NE znači da ste iznad sonde! Zapamtite da je jačina signala ključni faktor u lokalizaciji sonde. Morate biti na mestu gde je maksimalna jačina signala. Za najbolju tačnost koristite libelu. Stub MORA da stoji vertikalno kada označavate polove i ekvator, ili će u suprotnom njihovi položaji biti netačni!

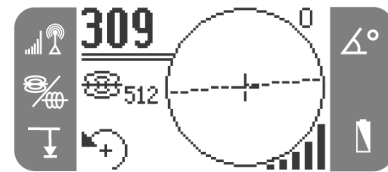
5.5 Merenje dubine

Scout proračunava izmerenu dubinu upoređivanjem jačine signala na donjem antenskom čvoru sa jačinom signala na gornjem antenskom čvoru.

Dubina je izmerena kada donja antena dodirne zemlju neposredno iznad izvora signala.

1. Da bi izmerili dubinu postavite detektor na zemlju, direktno iznad sonde ili voda. Vodite računa da indikator ugla očitava 5 stepeni ili

manje. Zatim polako okrećite jedinicu u pravcu u kom pokazuje strelica na **levom dnu** ekrana sve dok se ne pojavi dubina.



Libela je korisna kada se meri dubina da bi bili sigurni da je antenski stub u vertikalnom položaju.

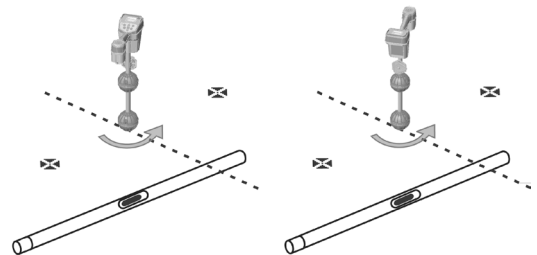
Da bi maksimizirali signal i dobili najtačnije očitavanje dubine, Scout treba da se okrene da bi se antena poravnala sa signalom

2. Dubina će biti prikazana u donjem levom uglu.



3. **Karakteristika forsiranja dubine** - Ako indikator ugla očitava više od 5 stepeni Scout tada neće dati očitavanje dubine. Pritisnite taster sa strelicom nadole i držite ga. Ovo će forsirati dubinu ako se dubina može izmeriti (pogledajte sledeće poglavlje o nagnutim sondama).

Kada proveravate dubinu uvek preuzmite merenje, zatim okrenite Scout za 180 stepeni (1/2 kruga) i preuzmite drugo merenje dubine. Vodite računa da donja kugla stoji na istom mestu na zemlji i da je stub vertikalan. Ako očitavanja dubine nisu međusobno unutar oko 10% prisutno je izobličenje i merenje dubine treba da bude pod znakom pitanja.



5.6 Tehnički saveti za lociranje sonde

- Koristite zvuk kada je moguće kao pomoćni vodič za navođenje Scout detektora na maksimalnu jačinu signala.
- Ako je ekvator ukršten i signal nije na maksimalnoj vrednosti, pratite ekvator do maksimalne jačine signala.. Jednostavno pronalaženje ekvatora sonde (isprekidana linija na ekranu) NE ukazuje da će sonda biti pronađena. Mesto maksimalne jačine signala mora takođe biti pronađeno. Ako je sonda strmo nagnuta, ekvator NEĆE ležati direktno iznad sonde i rastojanje od sonde do svakog pola neće biti jednako. Ako je sonda nagnuta maksimizujte signal.
- Uvek potvrdite mesto gde je maksimalna jačina signala. Proverite prikazuje mapa, osim ako su poznate činjenice koji svi zahtevani uslovi moraju biti ispunjeni. Mapa pretpostavlja sledeće uslove:
 1. Zemljište je horizontalno.
 2. Sonda je horizontalna.

3. Scout detektor je iznad nivoa zemlje.

4. Scout detektor je bio držan približno vertikalno, antenski stub pokazuje uspravno.

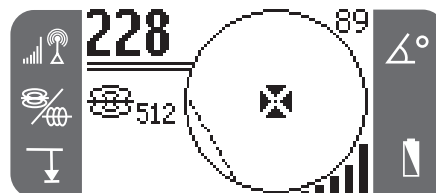
Ako ovi uslovi nisu ispunjeni treba obratiti posebnu pažnju na maksimiziranje jačine signala. U načelu, ako su gornji uslovi ispunjeni i ako je Scout unutar oko dve "dubine" izvora signala, mapa će biti korisna i tačna. Budite oprezni kada koristite mapu ako se meta ili izvor signala nalaze veoma plitko. Korisna zona traženja koristeći samo mapu može biti mala ako je vod ekstremno plitak.

5.7 Nagnute sonde

Ako je sonda nagnuta, jedan pol će se pomeriti bliže sondi a drugi je udaljeniji tako da položaj sonde nije više na sredini između dva pola. Jačina signala bližeg pola postaje mnogo jača od signala udaljenijeg pola. U ekstremnom slučaju, kada je sonda nagnuta vertikalno, jedan pol se pomera na mesto

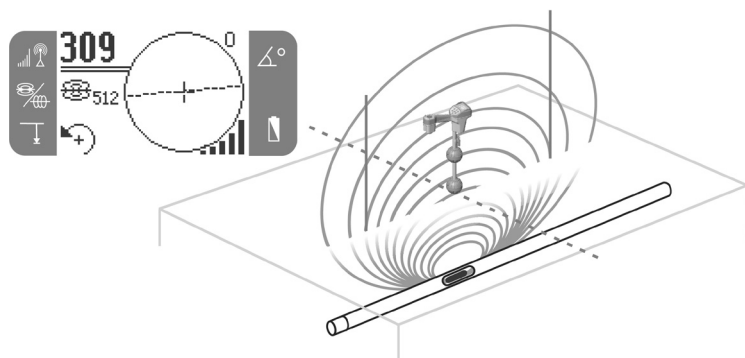
direktno iznad sonde i ovaj pol će takođe odgovarati tački maksimalne jačine signala. Drugi pol se neće videti.

Dakle, čak i kada je sonda u vertikalnom položaju, isto tako bi bilo ako spadne u prekid voda ili neki podzemni rezervoar, sonda se još uvek može locirati. Kada je sonda u vertikalnom položaju na ekranu se vidi jedan pol u tački maksimalne jačine signala.

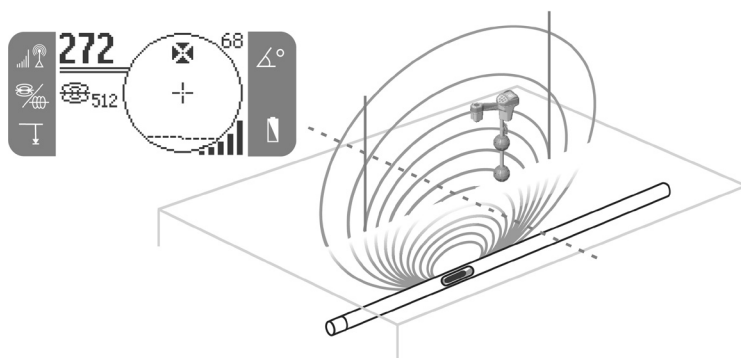


Višestruko usmerene antene omogućuju merenje dubine čak i ako je sonda nagnuta. U ovom slučaju mora se koristiti karakteristika forsiranja dubine da bi se preuzelo merenje dubine (pogledajte Merenje dubine).

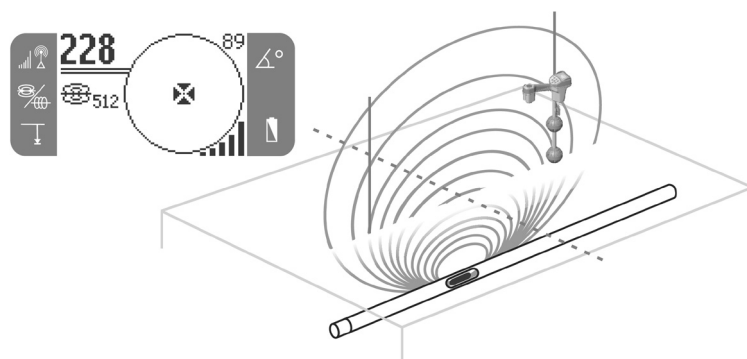
Mikro mapa - Primeri – Režim sonde



Scout iznad ekvatora



Scout napušta ekvator i približava se polu



Scout iznad pola

6. Traženje vodova pomoću Scout detektora

Scout takođe može da se koristi za traženje cevi ili vodova tako što zemljište iznad njih može biti obeleženo. Ovo identifikuje lokaciju vodova tako da se mogu zaobići u toku kopanja ili otvaranja u slučaju popravke ili zamene. Scout može da locira pobuđene vodove različitih frekvencija ili se može pasivno koristiti za skeniranje provodnika da bi se locirali neki dugački provodnici kao nosioci signala.

Podzemni provodnici su pobuđeni linijskim odašiljačem. Ovaj aktivni signal se zatim prati koristeći prijemnik kao što je Scout.

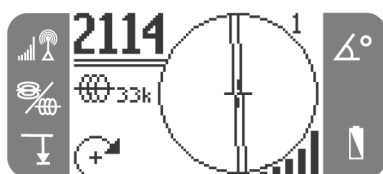
1. Spojite linijski predajnik na vod u skladu sa uputstvima proizvođača.

"Odašiljač" je opšti naziv koji se koristi za sve uređaje koji proizvode signal koji se može locirati. Koristi se da opiše sondu, odnosno uređaj koji se koristi za pobuđivanje kabla ili cevi.

2. Podesite frekvenciju koju koristi odašiljač na istu frekvenciju kao kod Scout detektora. Vodite računa da ima ikonu traženja voda ~. Pritisnite taster za glavni meni da bi se vratili na ekran za lociranje.



3. Kada započnete sa praćenjem preporučuje se da se prvo posmatra jačina signala da bi se videlo da li pada kada se Scout udaljava. Postavite stub na vodove ili sam odašiljač ako koristite induktivni režim. Iznad voda bi trebalo da bude maksimum, a sa strane pad. Ako se jačina signala i linije na ekranu NE slažu, signal je možda izobličen.
4. U toku traženja, putanja cevi ili kabla koji je u funkciji je prikazana na ekranu sa 2 pune linije. Održavanje linija u centru ukazuje da Scout pronalazi podzemne vodove. Ako se linije pomere udesno ili ulevo, pomerite Scout tako da se linije vrate u centar. Signal emitovan iz voda koji se traži je direktno iznad traženog voda. Ako to nije slučaj prisutno je izobličenje.



NAPOMENA Kada koristite frekvenciju traženog voda na ekranu postoje dve linije. Kada koristite frekvenciju sonde ekvator je jednostruka linija.

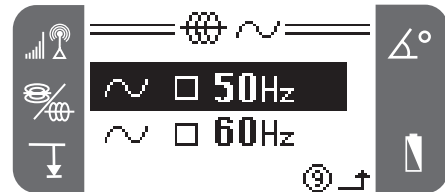
PAŽNJA Treba biti pažljiv i pratiti uticaje na signal koji mogu dati netačna očitavanja. Očitavanja dubine treba uzimati kao predračun i stvarnu dubinu treba verifikovati otkrivanjem voda pre iskopavanja iskopavanja.

5. Kada započnete sa praćenjem preporučuje se da se prvo posmatra jačina signala da bi se videlo da li pada kada se Scout udaljava. Postavite stub na vodove ili sam odašiljač ako koristite induktivni režim. Iznad voda bi trebalo da bude maksimum, a sa strane pad. Ako se jačina signala i linije na ekranu NE slažu, signal je možda izobličen.

6.1 Pasivno traženje voda pod naponom naizmenične struje

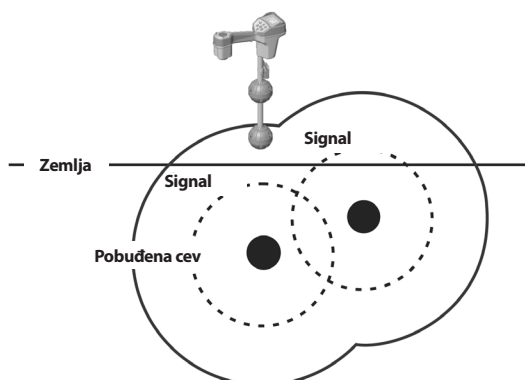
U pasivnom režimu Scout reaguje na naizmeničnu struju ili polje naizmenične struje. Zakopani vodovi pod naponom obično ne emituju neki signal koji se može pratiti osim ako se struja ne prenosi kroz žice. Na primer, kada se isključi ulično osvetljenje pasivno traženje je teško.

1. Izaberite frekvenciju pasivnog traženja strujnih vodova preko ikone za pasivno traženje vodova ~.
2. Scout poseduje dve (2) frekvencije za pasivno traženje naizmenične struje kao standardne. One su 50 Hz i 60 Hz.

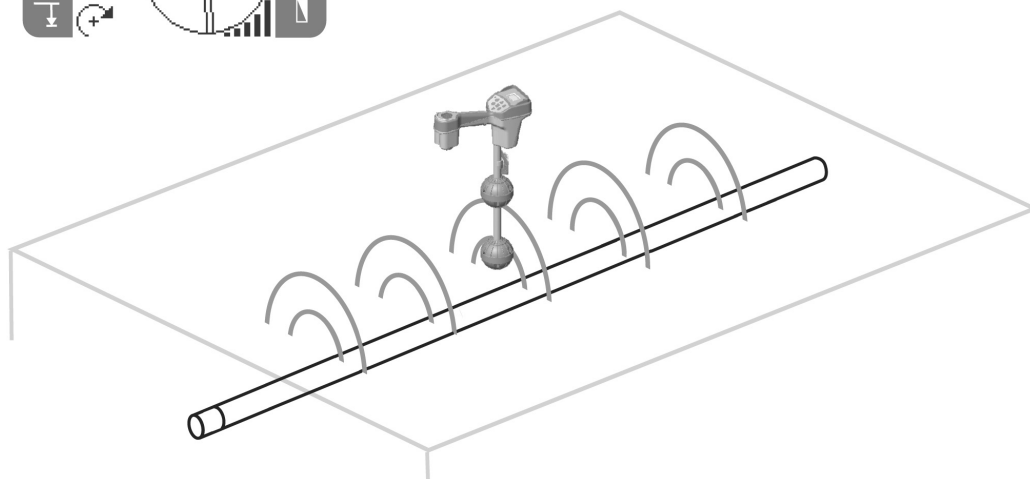
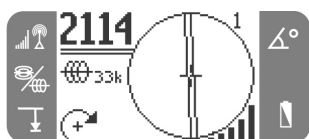


6.2 tehnički saveti za traženje vodova

- **Kada vodovi nisu u centru mape a jačina signala je maksimizirana, prisutno je izobličenje!**
 - a. Pokušajte da zamenite upotrebijenu frekvenciju na jednu ispod.
 - b. Pomerite šipku uzemljenja dalje od voda koji se traži.
 - c. Uverite se da vod nije spojen na drugi komunalni vod.
 - Ako vodovi nisu u centru ili se neobjašnjivo pomeraju preko ekrana, Scout možda ne prima jasan signal.
 - a. Proverite odašiljač da bi se uverili da je u radnom stanju i da je dobro uzemljen.
 - b. Proverite strujno kolo postavljanjem donje antene na svaki vod odašiljača.
 - c. Proverite da li Scout i odašiljač rade na istoj frekvenciji.
 - d. Pokušajte sa različitim frekvencijama počevši od najniže, sve dok linija traženja ne bude preciznije definisana.
 - Protok struje je najbolji od najmanjih na najveće (najmanji otpor) vodove. Na primer ako želite da tražite cev od kuće do ulice.
 - U toku traženja, signal treba da budu maksimizovan, a dubina minimizovana, na istom mestu gde su vodovi u centru displeja. Ako ovo nije slučaj, komunalni vod možda ima krivinu ili su prisutni drugi povezani signali.
 - Više frekvencije imaju veće rasipanje signala u stranu ali one mogu biti potrebne za preskok blokada u traženim vodovima ili da bi prošli kroz izolacione spojnice.
 - Ako se koristi induktivni režim predajnika, treba da potražite položaj oko 10 / 15 m u stranu da bi omogućili "induktivno povezivanje kroz vazduh". Ovo se dešava kada Scout prihvati signal iz predajnika direktno kroz vazduh a ne iz voda koji se traži.
- Ako linija nije u centru ili ako se neobjašnjivo pomera preko ekrana, Scout možda ne prima jasan signal.
- a. Zemljište je horizontalno.
 - b. Vod je horizontalan.
 - c. Scout detektor je iznad nivoa zemlje.
 - d. Scout antenski stub se drži približno vertikalno.
- Ako ovi uslovi nisu ispunjeni treba obratiti posebnu pažnju na maksimiziranje jačine signala. U načelu, ako je Scout unutar oko dve "dubine" voda, mapa će biti korisna i tačna. Budite oprezni kada koristite mikro mapu ako se meta ili vod nalaze veoma plitko. Korisna zona traženja u mikro mapi može biti mala ako je vod ekstremno plitak.



Mikro mapa - Primeri – Traženje vodova



7. Meni alata

7.1 Promena jedinica za dubinu

Scout može da menja jedinice u kojima se meri dubina u stope ili metre. Da bi promenili ova podešavanja, jednostavno označite ikonu dubine u meniju alata i zatim pritisnite izborni taster da se prebacite sa stopa na metre.



7.2 Automatsko pozadinsko svetlo

Nizak intenzitet spoljašnjeg svetla detektuje detektor svetla ugrađen u gornjem levom uglu tastature. Pozadinsko svetlo može biti isforsirano blokiranjem prijema svetlosti na senzor palcem.

Automatsko pozadinsko osvetljenje LCD displeja je fabrički podešeno na samouključivanje u potpuno mračnim uslovima. Ovo je značajno za čuvanje kapaciteta baterije. Kada su baterije skoro ispražnjene, pozadinsko svetlo će biti zamućeno. Pri kraju radnog veka baterije pozadinsko osvetljenje funkcioniše sa veoma malim intenzitetom da bi se sačuvala snaga baterije. Da bi isključili pozadinsko osvetljenje, označite ikonu sijalice u sekciji alata u meniju i pritisnite izborni taster da se prebacite sa automatskog na isključeno.



7.2.1 Kontrast LCD ekrana

Kada se označi i izabere kontrast LCD ekrana može da se podesi strelicama za naviše i naniže.



8. Korisne informacije

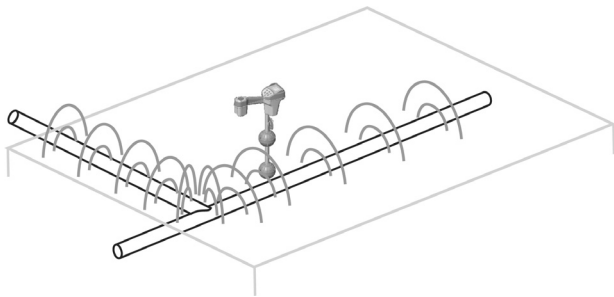
8.1 Mešanje signala

8.1.1 Izobličena magnetna polja

Ponekad se jednostruko polje može sudariti sa metalom ili drugim gvozdanim materijalom u zemlji i tada se linije polja mogu izobličiti. To može biti neki drugi komunalni vod, zakopani metalni delovi ili stari vodovi koji se više ne koriste koji mogu skrenuti ili skratiti linije polja. U tom slučaju Scout može da prikaže slabiji signal oko objekta i jači signal neposredno iznad njega. Objekat može da se ponaša kao sočivo kada nepredvidivo pojačava ili slabi signal.

8.1.2 Mešovita magnetna polja

Mešovita magnetna polja su takođe moguća. Kada jedno polje naiđe na neko drugo, dva ili više polja, može da proizvede jači signal. Za rukovaoca je važno da ovo razume u slučaju postojanja T račvi ili skretanja voda pod pravim uglom, kada su mešovita polja često sudarena.



Mešovito polje prikazano oko priključka u vodu.

8.1.3 Šum

Mešanje signala (šum) je jednostavno deo izazovnog lociranja. Mešanje može biti prouzrokovano ili istom frekvencijom koja se koristi ili zato što je jedna frekvencija "van opsega" druge frekvencije. Neka od najvećih mešanja signala su proizvedena od strane odašiljačke opreme. Transformatori, veliki električni motori i vodovi mogu biti izvor veoma velikog šuma signala. Područja koja su posebno šumna treba ako je moguće izbegavati.

Ako je prikaz ugla nestabilan i nije čvrst, i/ili nivoi signala nisu postojani, to je dobra indikacija da postoji drugi signal koji nije cilj (sonda ili pobuđeni vod) ili da postoji visoki nivo šuma.

8.2 Napomene o preciznosti

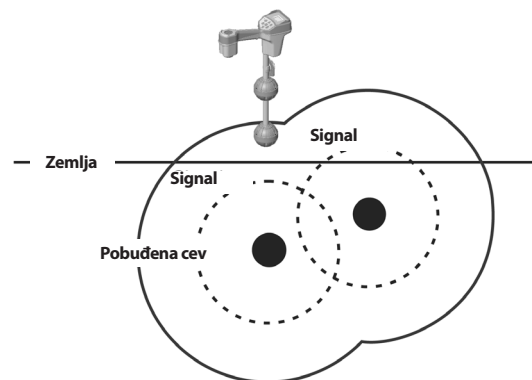
Merenje dubine i jačine signala oslanja se na postojani signal koji prima Scout. Zapamtite da se Scout koristi iznad zemlje da oseti elektromagnetna

polja emitovana od strane podzemnih vodova (električni provodnici nalik metalnim kablovima ili cevima) ili sonde (aktivni prenos signala). Kada su magnetna polja prosta i nedeformisana, tada primećena magnetna polja predstavljaju podzemni objekat.

Ako su ta magnetna polja izobličena i postoje višestruka magnetna polja sa međusobnim uticajem, Scout će izvršiti netačno lociranje. Lociranje nije neka egzaktna nauka. Ovo zahteva od rukovaoca da procenjuje i traži sve informacije koje su na raspolaganju i koje će instrument možda očitati kasnije. Scout će rukovaocu dati puno informacija, ali je do rukovaoca da te informacije protumači pravilno. Ni jedan proizvođač detektora ne zahteva da rukovalac treba jedino da prati informacije iz njegovog instrumenta.

Uslovi kada tačnost lociranja mora biti pod znakom pitanja:

- **Kada su prisutni drugi vodovi ili komunalni vodovi.** "Rasipanje signala u stranu" može stvoriti izobličena magnetna polja i nehotice osvetleti vodove. Koristite niske frekvencije kada je moguće i eliminišite sve priključke između dva voda.



- **Kada koristite induktivni režim odašiljača.** Ovo daje slab signal voda. Koristite direktan priključak uvek kada je to moguće.
- **Kada su u vodu prisutni T komadi ili račve.** Može prouzrokovati izobličenje signala.
- **Kada je jačina signala slaba.** Jak signal je potreban za tačno lociranje.
- **Kada uslovi zemljišta variraju.** Ekstremne vrednosti vlažnosti, ili velika suvoća ili zasićenost vodom, mogu imati uticaj na merenja. Na primer, zemlja natopljena slanom vodom, koja se može pronaći u blizini obale, čvrlo uspešno sakriti signal i učiniti da lociranje bude veoma teško.

9. Transport i skladištenje

Pre transportovanja se uverite da je uređaj isključen zbog štednje baterija. Kada transportujete uređaj vodite računa da ga osigurate tako da ne može da poskakuje ili da bude guran od strane labave opreme. Scout treba čuvati na hladnom i suvom mestu.

Ako skladištite Scout na duži period vremena, potrebno je da izvadite baterije.

10. Ugradnja/korišćenje dodatnog pribora

Scout se isporučuje sa markerima koji se mogu koristiti za označavanje položaja polova ili sonde iznad zemlje. Postoje dva (2) crvena markera za označavanje polova i jedan (1) žuti za označavanje sonde.

Ako vam je potrebna dodatna pomoć, molimo kontaktirajte vašeg prodavca ili RIDGID predstavništvo.

11. Održavanje i čišćenje

⚠ UPOZORENJE

1. Održavajte Scout čistim, vlažnom krpom i nekim blagim sredstvom za čišćenje. Nemojte da ga potapate u vodu.
2. U toku čišćenja nemojte koristiti oštre alate ili abrazivna sredstva koja mogu trajno izgubiti displej. **NIKADA NEMOJTE KORISTITI RASTVARAČE** za čišćenje bilo kog dela sistema. Supstancama, poput acetona i drugih jakih hemikalija, kućište može da napukne.

14. Vodič za otkrivanje i otklanjanje kvarova

PROBLEM	MOGUĆA LOKACIJA NEISPRAVNOSTI
Scout se blokira u toku korišćenja.	Isključite uređaj, zatim ga ponovo uključite. Uklonite baterije ako uređaj ne može da se isključi.
U toku traganja, linije "poskakuju" preko celog ekrana u mikro mapi.	Ovo ukazuje da Scout nije uhvatio signal ili da postoji mešanje signala.
	Vodite računa da je odašiljač dobro priključen i uzemljen. Naciljajte Scout na svaki od da bi bili sigurni da obuhvatate kompletno magnetno polje.
	Pokušajte sa većom frekvencijom.
U toku lociranja sonde, linije "poskakuju" preko celog ekrana.	Pokušajte da utvrdite izvor šuma i da ga eliminišete.
	Proverite baterije u sondi da bi se uverili da rade. Potvrdite signal postavljanjem donje antene bliže sondi. Napomena – sonde teško emituju signale kroz liveno gvožđe i vodove od kovanog gvožđa.
Rastojanje između sonde i polova nije jednako.	Sonda je možda nagnuta ili ima prelaz sa livenog gvožđa na plastiku.
Uređaj radi nestabilno, pada napon.	Možda su baterije ispražnjene. Zamenite ih novim baterijama i upalite uređaj.
Displej je potpuno taman ili potpuno svetao kada se uključi uređaj.	Pokušajte da ISKLJUČITE uređaj, pa ga opet UKLJUČITE.
	Podesite kontrast LCD ekrana.
Otsustvo zvuka.	Podesite jačinu zvuka u meniju zvuka.
Scout ne prima signal.	Proverite da li je podešen odgovarajući režim i frekvencija.
Scout neće da se uključi.	Proverite smer polova baterija. Proverite da li su baterije napunjene. Proverite da li su kontakti baterije dobri. Možda je pregoreo osigurač uređaja (potrebno je servisiranje od strane proizvođača).

12. Lokalizacija delova sa greškom

Za predloge o lociranju i uklanjanju kvarova, molimo pogledajte vodič za lociranje i uklanjanje kvarova na kraju priručnika. Ako je potrebno, kontaktirajte Ridge Tool ili vašeg prodavca za više informacija i pomoć.

13. Servisiranje i popravke

⚠ UPOZORENJE

Alat treba da odnesete u RIDGID nezavisni ovlašćeni servisni centar.

15. Tehnički podaci

Težina sa baterijama.....	1,4 kg
Težina bez baterija.....	1 kg
Dimenzije	
Dužina.....	28,5 cm
Širina.....	11,0 cm
Visina.....	56,0 cm
Izvor napajanja	
4-ćelijske baterije, 1,5 V alkalne (ANSI/NEDA 14 A, IEC LR14) ili 1,2 V NiMH ili NiCad baterije koje se mogu puniti	
Nominalna snaga: 6 V, 550 mA	
Radna okolina:	
Temperatura.....	20°C do 50°C
Vlažnost	5% do 95% RH
Temperatura skladištenja.....	-20°C do 60°C
Standardne frekvencije	
Sonda.....	512 Hz, 640 Hz, 874 Hz, 33 kHz
Aktivno traženje vodova	512 Hz, 8 kHz, 33 kHz
Pasivno traženje vodova	60 Hz, 50 Hz

Unapred definisana podešavanja

Podrazumevana podešavanja za detektor su:

- Jedinice za dubinu = metar ili centimetar
- Jačina zvuka = 1 (jedno podešavanje iznad prigušenog)
- Pozadinsko svetlo = Automatski

Standardna oprema

- Scout detektor
- Markeri i stubni držač
- 2 Priručnika za rukovanje USA + Evropa
- 4-ćelijske baterije (alkalne)
- Video PAL

Opcionalna oprema

- Dodatni markeri pola/sonde
- NaviTrack predajnik
- Induktivna stezaljka
- Baterija sonde
- Plutanje

16. Slikovna legenda

IKONE DISPLEJA	
	Frekvencija sonde
	Frekvencija aktivnog traženja vodova
	Frekvencija pasivnog (strujnog) traženja vodova
	Jačina zvuka
	Nivo napunjenosti baterije
	Dubina
	Indikator horizontalnog ugla
	Jačina signala
	Meni alata
	Kontrast LCD ekrana
	Pozadinsko svetlo LCD ekrana
IKONE TASTATURE	
	Navigacija u meniju
	Resetovanje zvučnog signala / Izbor stavke menija
	Navigacija u meniju / Forsiranje dubine (pritisnite 3 sekunde)
	Taster za UKLJUČIVANJE / ISKLJUČIVANJE
	Taster za meni
	Taster za režim Sonda / Traženje vodova / Frekvencija
	Taster za regulaciju jačine zvuka

TR

NaviTrack Scout Kullanım Talimatları

Orijinal kılavuzun çevirisidir



GENEL GÜVENLİK BİLGİLERİ

UYARI Tüm talimatlarını okuyun ve kavrayın. Aşağıda listelenen talimatların tümüne uyulmaması elektrik çarpması, yangın ve/veya ciddi kişisel yaralanmalara yol açabilir.

EKTEKİ GÜVENLİK TALİMATLARINI OKUYUN. BU TALİMATLARI SAKLAYIN!

Gerektiğinde, AT uyumluluk beyanı (890-011-320.10) ayrı bir kitapçık olarak, bu kılavuzun yanında yer alır.

Pil Önlemleri

- **Sadece, belirtilmiş boy ve türde pil kullanın. Farklı pil türlerini birlikte kullanmayın (örn. tekrar şarj edilebilir pille birlikte alkalın pil kullanmayın).** Kısmen boşalmış ya da tamamen şarj edilmiş pilleri birlikte kullanmayın (yani eski ve yenileri karıştırmayın).
- **Yalnızca üretici tarafından belirlenmiş şarj ünitesi ile şarj edin.** Uygun olmayan şarj cihazının kullanılması aşırı ısınmaya ve pilin bozulmasına sebep olabilir.
- Pilleri doğru şekilde bertaraf edin. Yüksek sıcaklıklara maruz bırakılması pilin patlamasına yol açabilir, o yüzden pili ateşe atmayın. Bazı ülkelerde pilin atılmasıyla ilgili düzenlemeler olabilir. Lütfen geçerli tüm yönetmeliklere uyun.

1. Scout Kullanım ve Bakım

- **Cihazı sadece belirtilen şekilde kullanın.** Eğitimi düzgün tamamlamadan ve kullanım kılavuzunu okumadan Scout'u çalıştırmayın.
- **Antenleri suya sokmayın.** Kuru yerde saklayın. Bu tedbirler elektrik çarpması veya hasar riskini azaltır.
- **Scout'un çalışmasını olumsuz etkileyebilecek kırık parçalar ve diğer durumları kontrol edin.** Hasar görmüşse, kullanmadan önce alete bakım yaptırın. Birçok kaza bakımsız aletlerden kaynaklanır.
- **Sadece, Scout'un üreticisi tarafından tavsiye edilen aksesuarları kullanın.** Bir alet için uygun bir aksesuarın, başka bir alet ile kullanılması tehlikeli olabilir.
- **Tutma yerlerini kuru ve temiz tutun; yağ ve gresten arındırın. Bu, aleti daha iyi kontrol edebilmenizi sağlar.**
- **Aşırı ısıya karşı koruyun.** Ürün, radyatör, ısı düzenleyici, fırın ve (yükseletici de dahil) diğer ısı üreten kaynaklardan uzakta bulunmalıdır.

1.1 Servis

- **Arıza tespit aletinin bakımı, sadece yetkili tamir personeli tarafından yapılmalıdır.** Ehliyetsiz tamir personeline yapılan servis veya bakım yaralanmalara yol açabilir.
- **Uygun şekilde temizlenmesini sağlayın.** Temizlikten önce pili çıkartın. Sıvı temizleyiciler ya da aerosol temizleyiciler kullanmayın. Temizlik için nemli bir bez kullanın.

- **Güvenlik kontrolü yapın.** Bu ürünle ilgili herhangi bir servis veya tamirin tamamlanmasının ardından servis personelinin ürünün doğru çalıştığını belirlemek için güvenlik kontrollerini yapmasını isteyin.
- **Üründe servis gerektiren hasar.** Aşağıdaki durumlardan herhangi birinde, pilleri çıkarın ve bakım yaptırmak üzere yetkili servis personeline gönderin:
 - Ürünün üstüne sıvı döküldüğünde veya eşya düştüğünde.
 - Çalıştırma talimatları izlenmesine rağmen ürün düzgün çalışmıyorsa.
 - Ürün herhangi bir şekilde düştüğünde veya hasar gördüğünde.
 - Ürün, büyük bir performans değişikliği gösteriyorsa.

Tüm yazışmalarda, aletinizin üzerinde bulunan isim levhasındaki model numarası ve seri numarası gibi bilgileri belirtin.

1.2 Uyarı

Scout, yeraltındaki nesnelere tarafından yayılan elektromanyetik alanları algılayan bir arıza tespit aletidir. Alan hatlarının karakteristiklerini algılayarak bu nesnelere yerinin bulunması ve bunların ekranda görüntülenmesinde kullanıcıya yardımcı olması amaçlanmıştır. Elektromanyetik alan hatları bozulmuş, etkilenebildiğinden, kazı işleminin yapılmasından önce yeraltında bulunan nesnelere konumunun belirlenmesi önemlidir.

Yeraltında aynı bölgede birden fazla tesisat bulunabilir.

Yerel yönergeleri izlediğinizden emin olun.

Hattın var olup olmadığını, yerini ve derinliğini doğrulamanın tek yolu tesisatı açığa çıkarmaktır.

Ridge Tool Company, bağlı kuruluşları ve tedarikçileri, SR-60 kullanımını sonucu meydana gelen yaralanmalardan veya doğrudan, dolaylı olarak, kazayla veya sonuç itibarıyla Scout kullanımından kaynaklanan hasarlardan sorumlu değildir. Yerel yönergeleri izlediğinizden emin olun.

2. Scout'a Giriş

Scout™ sonda ve hat tespit dedektörü, sondaların yerlerini belirlemek ve gömülü tesisat hatlarını hızlı, hassas ve kolay bir şekilde izlemek için çok yönlü antenler ve gelişmiş bir işlemci kullanır.

2.1 Benzersiz Özellikleri Nelerdir?

Scout'un gelişmiş teknolojisi geleneksel hat tespit cihazlarına çeşitli benzersiz özellikler katar.

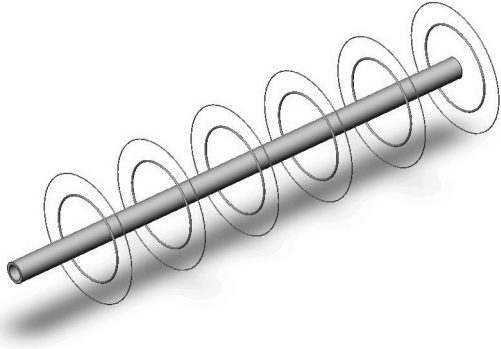
- Çok Yönlü Anten Sistemi.
- Mikro Harita Görünümü.
- Farklı sinyal özelliklerini gösterme.

2.2 Ne İşe Yarar?

Scout yeraltındaki ya da gizli hatlardan (metal kablolar ya da borular gibi elektriksel iletkenler) ya da sondalardan (aktif olarak sinyal üreten cihazlar) yayılan elektromanyetik alanların yerin üzerinden algılanmasında kullanılır. Alanlar basit ve bozulmamış olduğunda, algılanan alanla gömülü nesnenin temsilcisidir. Scout, bir dalga yayan iletken nesnelere bulur; doğrudan yeraltındaki nesnelere algılayamaz.

Gömülü nesnelere yayılan elektrik alanları iki farklı tipte olabilirler; bunlardan birincisi, enerji verilmiş hatlar, kanal görüntüleme kameraları itme kablosu veya boruları gibi uzun iletkenlerdir.

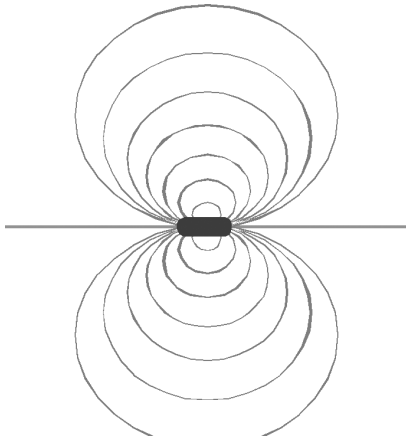
Bu nesnelere uzun bir silindirik alan üretirler ve genellikle "Hat" izleme olarak adlandırılırlar.



Şarj edilmiş hat tarafından yayılan dalga.

(Pasif ve AC elektrik hattı takip modu, hattın elektrik ile "enerjilendirildiği" özel bir durumdur.)

İkinci tip, sonda takip (ayrıca verici, prob ve aktif kanal sondaları da denir), daha farklı bir şekilde yayılırlar. Scout bu tip sinyal dalgalarını da ölçmek ve göstermek için programlanmıştır. Daha karmaşık alan şekline sahip sondaya çift kutuplu alan denir. Mıknatıs ve dünya kutup alanı ile aynıdır.

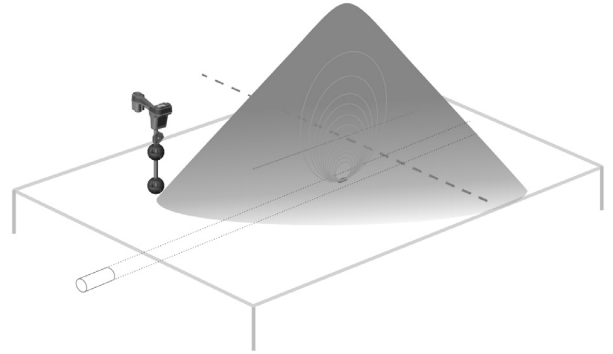


Sonda tarafından oluşturulan kutupsal dalga.

Elektromanyetik alanların üç (3) önemli özelliği vardır: frekans, kuvvet ve açı (yön). Tek antenin/antenlerin sadece kendi yönündeki kuvveti ölçebilen standart hat tespit dedektörlerinin aksine, Scout hem sinyal kuvvetini hem de alan açılarını üç boyutlu (3D) olarak ölçer. Bu geliştirilmiş özellik, harita ekranı kullanımını mümkün kılar.

Tecrübeli bir operatör bu ek bilgiyi hat tespit işlemini hızlandırmak ve karmaşık hat tespit uygulamalarına yardımcı olması için kullanabilir. Diğer taraftan, geçici veya acemi bir operatör bile yalnızca sinyal kuvvetini kullanarak kolaylıkla hat tespit işlemini gerçekleştirebilir.

Scout ile hat tespit işleminin 1.kuralı en büyük numaraya ulaşmaktır! – Ekran üzerindeki sinyal kuvveti rakamının en büyüğünü bulana kadar arama metodu, birincil öneme sahiptir.



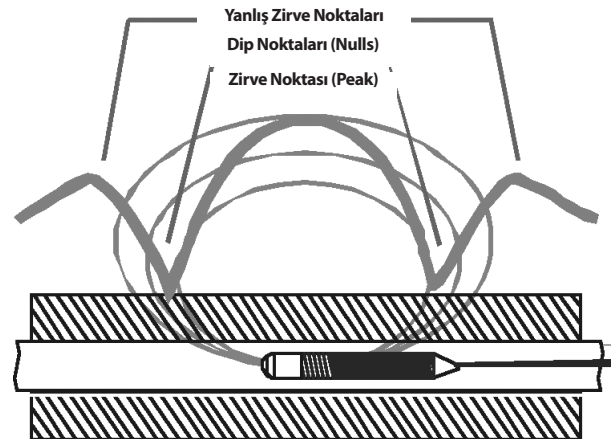
Scout'un sonda üzerine yaklaşarak nasıl maksimum rakama ulaşacağınızın bir örneği.

Bir hat izleme veya sonda tespitinde, hedef üzerindeyken sinyal kuvveti maksimum seviyededir. Hedef üzerindeyken derinlik görüntülenir.

2.3 Scout Çok Yönlü Anteninin Avantajı Nedir?

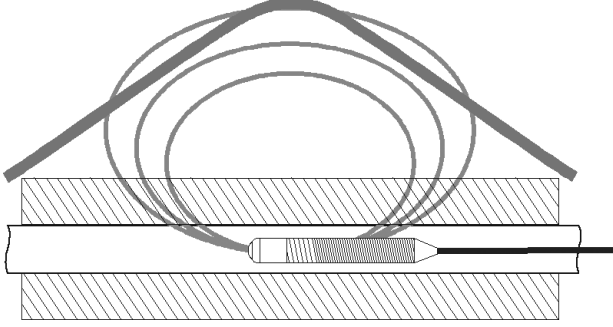
Çok yönlü antenlerle gelen tüm sinyalleri görmek çok önemli avantajlar sunar:

1. Kullanıcı hedefe yaklaştıkça sinyal gücü her zaman artar.
2. Dip noktaları (nulls) ve "Yanlış Zirve Noktaları" ölçümü ile yapılan tespit hatalarını ortadan kaldırır. Standart hat tespit dedektörleri bir zirve (peak) ve dip (nulls) ve daha küçük bir pike sahiptir. Bu özellikle daha küçük olan piki ("Yanlış" veya "Hatalı" zirve noktası olarak bilinir) hedef olarak yorumladıklarında, operatörlerin kafasını karıştırabilir. Scout, kullanıcıyı hedefe çekmek için sadece tek bir zirve noktası (peak) görür.



Standart bir hat tespit dedektöründen "görülen" sonda sinyali Ana zirve noktası (peak) merkezdedir ve iki hatalı zirve noktası iki boşluğun dış tarafındadır.

Zirve Noktası (Peak)



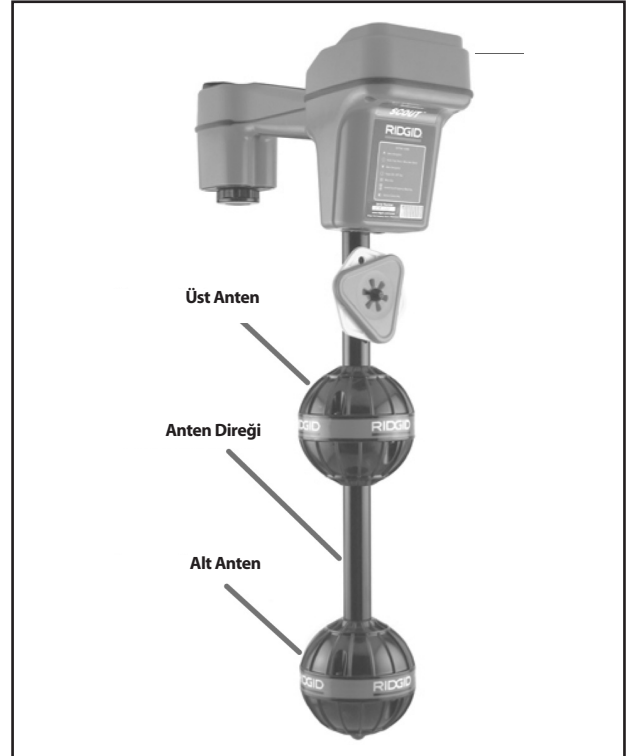
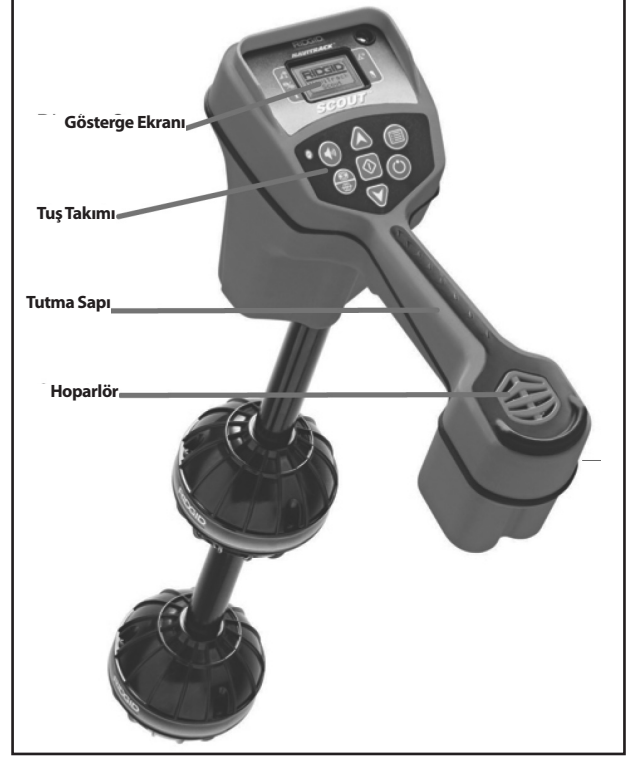
Scout tarafından "görülen" sonda sinyali Yalnızca tek bir zirve noktası(peak) vardır ve dip noktası(nulls) yoktur.

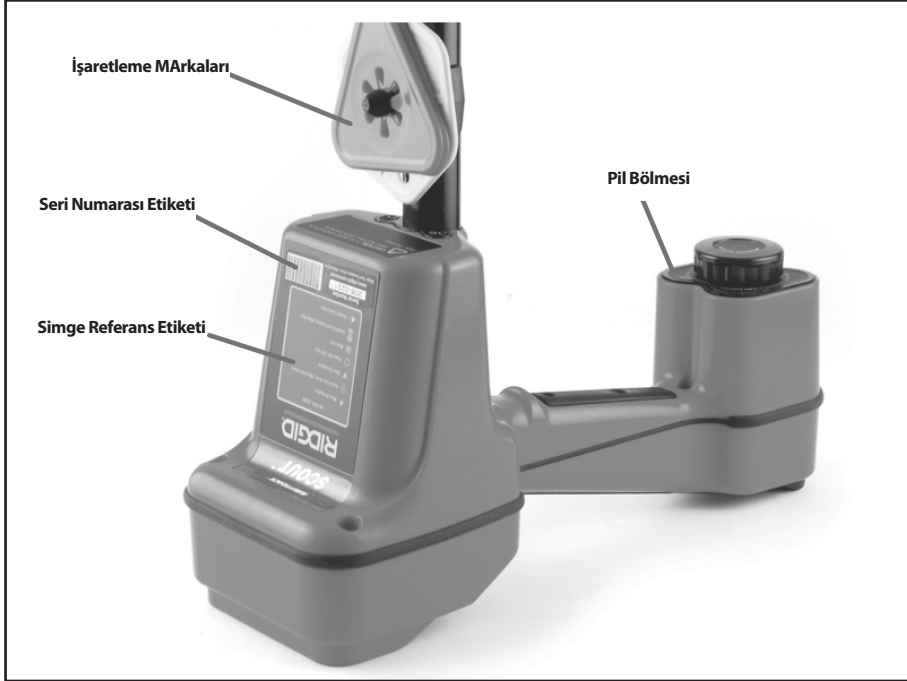
3. Cihazın tutuluş şekli sinyal kuvvetini etkilemez. Kullanıcı herhangi bir yönden yaklaşabilir ve kablo ya da borunun konumunu bilmesi gerekmez.
4. "Zor" hat tespit işlemini gerçekleştirmek ve çözmek için sinyal özelliklerini yorumlayan, açılı gösteren yardımcı bir mikro grafik harita ekranına sahiptir.

2.4 Mikro Harita Ekranının Avantajı Nedir?

Harita ekranında sinyalin özelliklerini gösteren grafikler mevcuttur. Bu yeraltından gelen sinyalin kuş bakışı görüntüsüdür ve grafik şeklinde ekranda gösterilir. Yeraltındaki hatların izlenmesinde rehber olarak kullanılır ve sondaların yerinin tam olarak belirlenmesinde kullanılabilir. Aynı zamanda karmaşık konumlar hakkında daha fazla bilgi sunmak üzere kullanılabilir. Hat tespit dedektörünü zemin üzerinde hareket ettirerek, Scout yeraltı nesnelere tarafından yayılan sinyalin üzerinden geçer. Bu kullanıcının sinyalin görsel halini ekranda görmesini ve işaretleyebilmesini sağlar. Standart hat tespit dedektörlerinin antenleri gelen tüm sinyalleri aynı anda göremediğinden, yeraltı sinyallerinin haritalayamazlar.

3. Scout Bileşenleri

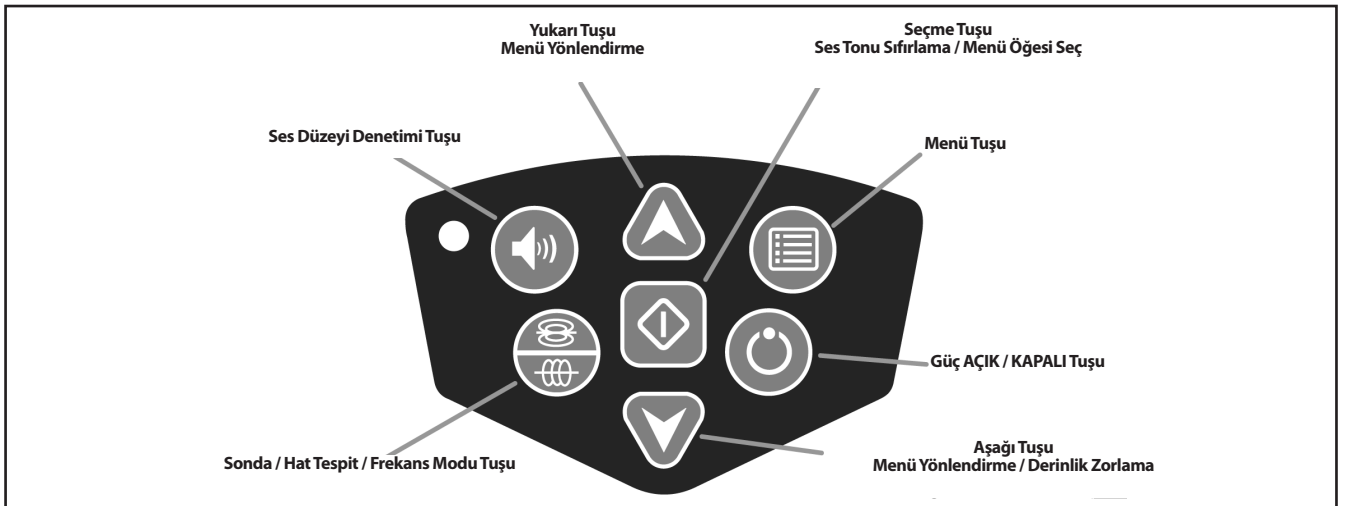




Gösterge Ekranı



Tuş Takımı

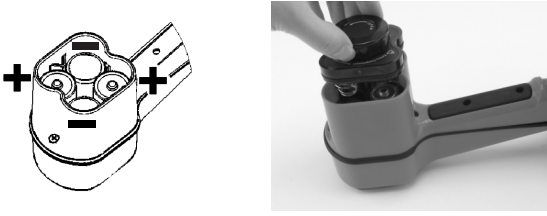


- Ses Kontrol Tuşu** – ses Seviyesi menüsünü açar ve kapatır.
Sonda/İz/Frekans Modu Tuşu – aktif frekansları ve fonksiyonları açar.
Yukarı Tuşu – menü seçenekleri içinde yukarı doğru kaydırır.
Seçme Tuşu – bir menü açıkken vurgulanan seçeneği seçer.
Aşağı Tuşu – menü seçenekleri içinde aşağı doğru kaydırır.
Menü Tuşu – menüyü açar/kapatır.
AÇMA/KAPAMA Tuşu – scoutu açar veya kapatır.

4. Başlarken

4.1 Pillerin Takılması/Değiştirilmesi

Pilleri Scout'a takmak için, pil bölmesine ulaşmak üzere ünitenin üzerini açın. Pil kapağı üzerinde bulunan düğmeyi saat yönünün aksine çevirin. Kapağı çıkarmak için düğmeyi yukarı doğru kaldırın. Pilleri iç tarafta bulunan çıkartmada gösterdiği şekilde takın ve tam olarak temas ettiklerinden emin olun. Kapağı muhafazasına yerleştirin ve kapanması için hafifçe bastırırken düğmeyi saat yönünde çevirin. Pil kapağı her iki yönde de takılabilir.



Scout açık durumda iken pilleri kontrol etmek yalnızca birkaç saniye sürer. Bu süre içerisinde pil seviyesi "boş" olarak görülecektir.

⚠ UYARI


Pil bölmesine toz girmesine izin vermeyin. Pil bölmesindeki kirlilik pil temas noktalarında kısa devre olmasına yol açarak, pillerin hızla boşalmasına neden olarak, elektrolit sızıntısı ya da yangın riski ile sonuçlanabilir.

4.2 Çalışma Süreleri

Scout hat tespit dedektörünün tipik çalışma saati, alkalin piller kullanıldığında, ses seviyesi ve arka ışığın ne sıklıkta açılıp kapandığına bağlı olarak 12 ila 24 saat arasında değişir. Çalıştırma süresini etkileyen diğer faktörler arasında pilin kimyası (yeni yüksek performanslı pillerin pek çoğu "Duracell® ULTRA" yüksek talepli uygulamalarda geleneksel alkalin pillerden %10 - %20 daha uzun süre dayanmaktadır) bulunmaktadır. Daha düşük sıcaklıklarda çalıştırılması da pil ömrünü azaltacaktır.

Pil ömrünü korumak için Scout 1 saat boyunca hiçbir tuşa basılmadığında otomatik olarak kapanacaktır. Kullanmaya devam etmek için yalnızca üniteyi açmanız yeterlidir.

4.3 Açma ve Kapama

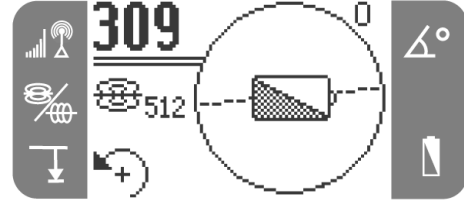
Tuş takımı üzerindeki güç tuşuna  basarak gücü açın. RIDGID® logosu görüntülenir, yazılım sürüm numarası alt sağ köşede görünecektir.



Tuş takımı üzerindeki güç tuşuna  basıp bırakarak üniteyi kapatın. Üniteyi açıp/kapatırken birkaç saniyelik bir gecikme olabilir.

4.4 Düşük Pil Uyarısı

Pil azalmaya başladığında, ekrandaki harita alanında bir pil simgesi görülecektir. Bu, pillerin değiştirilmesi gerektiğini ve ünitenin bir süre sonra kapanacağını gösterir.



Tamamen kapanmasından hemen önce iptal edilemeyen bir kapanma sekansı olacaktır.

Şarj edilebilir pillerdeki voltaj zaman zaman ünitenin anında kapanmasına neden olacak şekilde düşebilir. Ünite kapanacak ve yeniden başlatılacaktır. Pilleri değiştirin ve üniteyi yeniden açın.

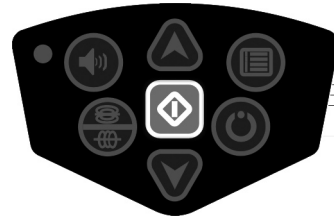
5. Ayarlar

Scout açılıp, çalışmaya başladığında, bir sonraki adım kullanılmakta olan bulunacak olan donanımla eşleşecek frekansların ayarlanmasıdır. Her biri menüdeki bir listeden seçilerek aktif hale getirilir.

1. Menü tuşuna basın, bölümü arayın, ardından etkinleştirmek için seç tuşuna basın:



2. Sonda veya hat vericisindeki ile eşleşecek bir frekans aramak için yukarı ve aşağı oklarının kullanın, ardından kutuyu işaretlemek için seç tuşuna basın. Referans olması için Menü Seçeneklerine bakın. Ana ekrana geri dönmek için menü tuşuna basın.





⚠ UYARI

Seçilen frekansın istenen kullanımla eşleştiğinden emin olun. 512 ve 33 bir sonda VE bir hat izleme frekansı olarak mevcuttur. Bir sonda frekansını hat tespit frekansı olarak kullanma veya bunun tam tersi, Scout'un yanlış derinlik bilgisi görüntülemesine neden olabilir.

- Şimdi aktif frekanslar ve modlar arasında dolaşmak için sonda/izleme/frekans mod tuşuna basın. Scout'un hangi modda çalıştığını görmek için ekranın üzerindeki simgelere dikkat edin.



- Derinlik, otomatik arka ışık veya LCD kontrastının ayarlanması gerekirse, menünün araçlar seçeneğinden seçimi vurgulayın ve seç tuşunu kullanarak değişiklikleri yapın.



5.1 Menü Seçenekleri

Sonda Modu Frekansları		512 Hz 640 Hz 874 Hz 33 Hz
Hat Tespit Modu Frekansları		50 Hz (Pasif) 60 Hz (Pasif) 512 Hz 8 kHz 33 kHz
Araçlar Menü		Fit/Metre Otomatik Arka Aydınlatma LCD Kontrastı

5.2 Scout Sesleri:

Ses sinyal kuvvetinin artması ve azalması ile ilgilidir. Sinyal arttığında ses perdesi ve seviyesi artar veya sinyal azaldığında da düşer. Sinyal arttığında, perde ses yalnızca operatöre maksimum sinyal kuvvetine basmasına yardımcı olmak için vardır. Sinyal kuvveti düşerse, sinyal yokmuş gibi bas tremolo bir sese döner.

Scout otomatik ayara sahiptir. Yukarı ve aşağıya doğru hareket ettirildiğinde ses daha yüksek veya daha düşük bir yoğunluğa ayarlanacaktır. Ses Tuşuna basarak ses seviyesini ayarlayın.



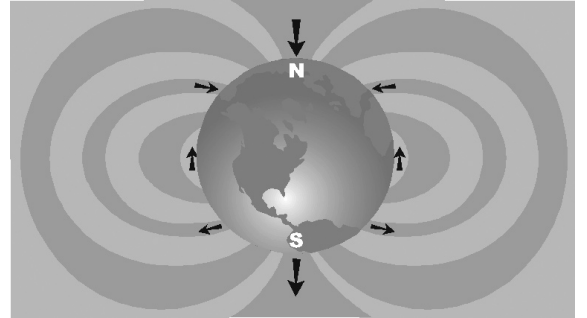
Ses düzeyi her ses tuşuna basıldığında hareket edecektir veya ses düzeyini ayarlamak için ok tuşları da kullanılabilir. Bu ekrandan çıkmak için seç tuşuna basın.



NOT Normal çalışma sırasında seç tuşuna basmak perdeyi orta seviyeye merkezleyecektir.

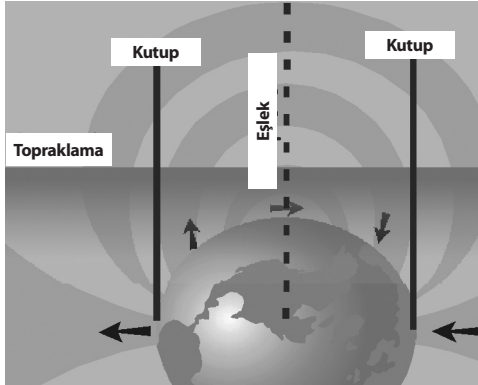
5.3 Genel bakış- Sondaları ve Scout'u Anlama

Sondalar (vericiler, probalar veya aktif kanal probu da denir) Dünyadan yayılan manyetik alana çok benzeyen bir elektro manyetik alan yayarlar.



Gerçekte dünya yukarıda gösterilen yönde dönüyor olsaydı manyetik alan sondanın manyetik alanına çok benzerdi.

Hat tespit dedektörü olarak, Scout, sondadan yayılan bu dalgaları (açılarını) ölçebilir bu hatların ayırt edici özelliklerini tanımlayabilir. Üç önemli özellik iki **KUTUP** ve **EKVATOR**'dur. Kutuplarda sinyalin açısı 90 derecedir (dikey). Ekvatorda 0'dır (yatay). Kutuplar uzayda ayırt edici noktalar, Ekvator ise tamamen sondanın etrafını sarar. Bu belirgin özellikler kalıcı olduğundan, sondanın konumunu hassas bir şekilde belirlemede kullanılabilir.



Kutuplar genellikle standart hat tespit dedektörleri “**dip noktalar (nulls)**”, antenler dik olarak sinyal üzerinden geçirildiklerinde ölü noktalarda oluşurlar. Aradaki fark Scout'un Kutupları (“dip noktalar(nulls)”) tam olarak üzerinde olmadığınızda bile ve Scout'un antenlerinin sinyalin tam üzerinde veya hizalı olup olmasından bağımsız olarak, “**görebilmesi**” ve **nerede olduklarını gösterebilmesidir**.

Bu Scout ile hat tespit işleminin standart hat tespit dedektörlerinden daha kolay olma sebeplerinden sadece birisidir.

Sonda Ekvatorun doğrudan iki Kutup arasından geçtiği noktaya konumlandırılmıştır.

5.4 Sondanın yerinin bulunması

Scout bir boru içinde bulunan sonda (verici) sinyalinin konum tespitinde kullanılabilir, bu şekilde sondanın konumu yeryüzü üzerinde tespit edilebilir. Sondalar bir kamera, kılavuz, nozül ya da kanal açma spirali kullanarak borudaki problemleri noktaya yerleştirilebilir. Bunlar aynı zamanda sifon çekilerek boruya yollanabilir.

Aşağıda sondanın yatay olarak boru içinde olduğu, zeminin hemen hemen düz olduğu ve Scout'un anten direğinin dik konumda olduğu varsayılmaktadır.

ÖNEMLİ Sonda konumunu belirlemede sinyal kuvveti kilit faktördür. Kazı işlemi için bir alanı işaretlemeye önce sinyal kuvvetini her zaman maksimum düzeye çıkarmaya özen gösterin.

5.4.1 Bir sondayı bulurken ayarı aşağıdaki şekilde yapın:

- Sondayı hatta yerleştirmeden **önce**, çalıştığından ve Scout'un bu sinyali algıladığından emin olmak için Scout'u kullanın.
- Sonda yerleştiğinde ve sinyal göndermeye başladığında, sondayı etkinleştirin ve Sonda üzerindeki aynı frekans ile eşleyin. Bir sonda modu simgesine sahip olduğundan emin olun

⚠ UYARI

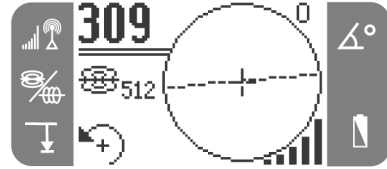
Seçilen frekansın istenen kullanımla eşleştiğinden emin olun. 512 ve 33 bir sonda VE bir hat tespit frekansı olarak mevcuttur. Bir sonda frekansını hat tespit işlemi için kullanma veya bunun tam tersi, Scout'un yanlış derinlik bilgisi görüntülenmesine neden olabilir.

- Sondanın tahmin edilen konumuna gidin. Borunun yönü bilinmiyorsa, sonda'yı hat içerisinde daha kısa bir mesafeye itin (erişim noktasına ~5 m iyi bir başlangıç noktasıdır).

5.4.2 Sonra, sondayı bulmak için aşağıdaki yöntemlerden birini kullanın:

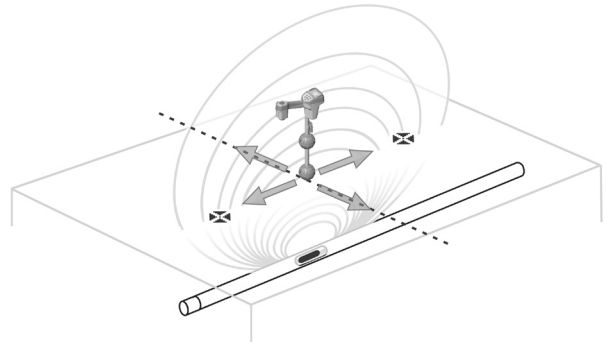
Yöntem 1 – Sinyal Kuvvetini Maksimize Edin

1. Scout'u direk vücudunuzdan uzak olacak şekilde tutun. Direği sondanın tahmin edilen yönüne doğru tararken, sinyal kuvvetini gözlemleyin ve sesi dinleyin. Direk, sondaya yöneltildiğinde sinyal en yüksek düzeyde olacaktır.
2. Scout'u normal çalışma konumuna indirin (direk dik) ve sonda yönünde yürüyün. Sondaya yaklaştığınızda, sinyal kuvveti artacak ve duyulabilir ses tonu kademeli olarak artacaktır. Sinyali maksimum düzeye getirmek için **sinyal kuvveti ve sesi kullanın**.



3. Maksimum rakam bulunduğu anda, Scout'u bu zirve noktası üzerinde tutarak yere doğru yaklaştırıp koyun. Sinyalin diğer yönlere gidiliğinde düştüğünden emin olmak için her yöne hareket ettirin.

NOT En yüksek sinyal rakamı sonda yüzeye göre eğik duruyorsa ekvator hattı en yüksek sinyalden farklı bir konumda olabilir (eğik sonda bölümüne bakın).



Yöntem 2 – Ekvatoru Takip Et – Sonra Maksimize Et

1. Sondanın yatay durması beklendiği durumlarda, **engelsiz, açık dalgalarda en iyi şekilde çalışır**. En yüksek rakam yönünü taradıktan sonra Yöntem 1 'de olduğu gibi maksimum sinyal kuvveti yönünde yürüyün.
2. Scout ekranda ortalanmış kararlı bir Ekvator hattı görüntülediğinde, artan sinyal kuvvetiyle onu takip edin. Maksimum sinyal kuvvetine ulaştığınızda zirve noktasında(peak) olduğunuzdan emin olmak için Scout'u Ekvator **boyunca ve tüm** yönlerde doğru hareket ettirin.

Sonda eğildiğinde, maksimum sinyali bulduğunuzdan emin olun çünkü sonda orada olacaktır.



Tespit edilen konumu doğrulayın.

1. Maksimum sinyal noktasında ve direk dikey şekilde, Scout'u ekrandaki Ekvator çizgisine dikey olarak hareket ettirin. Kutup simgesi görüldüğünde Scout'u Kutup simgesi artı işaretine ortalanana kadar hareket ettirin, **alt anten topu** zemin üzerinde. Bu noktada turuncu üçgen markalarından birini zemine yerleştirin.



Scout kutupta olduğunda görüntüleyin.

2. Scout'u Ekvator hattı boyunca diğer kutba doğru taşıyın. İkinci Kutup simgesi üzerindeki artı işaretini ortalayın ve önce konumunu işaretleyin.
3. Maksimum sinyal kuvvetine **geri dönün**. Bu noktayı zemin üzerinde sarı altıgen işaretçi ile işaretleyin. Alt anten topunu sarı işaretçiden tüm yönler doğru yavaşça hareket ettirirken ekrandan sinyal kuvvetini takip edin. Sinyal kuvveti sonda üzerinde en yüksek durumda olmalıdır.
4. Tüm işaretçilerin hizalandığını ve sarı altıgen işaretçinin Kutup işaretçileri arasında ortada olduğuna bakın.

Eğer sarı işaret markı tam ortada değilse eğik sondalar kısmına bakın.

ÖNEMLİ Ekvator çizgisi üzerinde olmanız, sonda üzerinde olduğunuz anlamına gelmez! Sinyal kuvvetinin sondayı bulmada ana faktör olduğuna unutmayın. Sinyal kuvvetinin en yüksek olduğu noktada olmalısınız. En iyi hassasiyet için entegre su terazisini kullanın. Dedektör direği, Kutuplar ve Ekvator çizgisinin işaretlenmesi sırasında dik olmalıdır aksi halde konumları yanlış olacaktır.

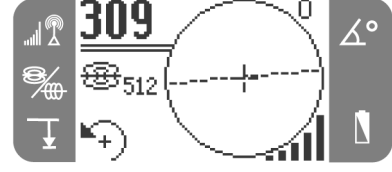
5.5 Derinliğin Ölçülmesi

Scout, derinliği alt antendeki sinyal kuvvetini üst antendeki ile karşılaştırarak hesaplar.

Derinlik alt anten doğrudan sinyal kaynağı üzerindenken zemine dokunduğunda ölçülür.

1. Derinliği ölçmek için, hat tespit dedektörünü sonda ya da hattın hemen üzerindeki zemine yerleştirin. Açık göstergesinin 5 derece veya daha az

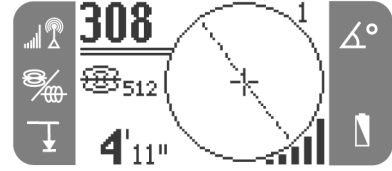
okuduğundan emin olun. Ardından derinlik görünene kadar üniteyi yavaşça ekranın **alt solunda** gösterilen ok yönünde döndürün.



Entegre su terazisi antenin dikey olduğundan emin olmak için derinliği ölçerken kullanışlıdır.

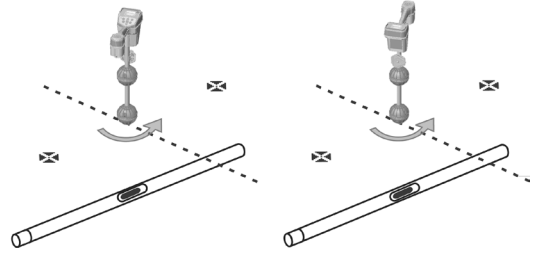
Sinyali maksimize etmek ve daha hassas derinlik okuması elde etmek amacıyla, antenle sinyalin hizalanması için Scout'un döndürülmesi gerekir.

2. Derinlik sol alt köşede gösterilecektir.



3. **Derinlik Zorlama Özelliği**- Açık göstergesi 5 dereceden fazla okuyorsa, Scout bir derinlik ölçümü vermeyecektir. Aşağı ok tuşuna basın ve basılı tutun. Bu derinlik ölçülebilirse derinliği zorlayacaktır (aşağıdaki eğik sondalar kısmına bakın).

Derinliği kontrol ederken her zaman bir ölçüm alın, ardından Scout'u 180 derece (1/2 tur) döndürün ve ikinci bir ölçüm alın. Alt topun aynı pozisyonda kaldığından ve direğin dikey olduğundan emin olun. Derinlik okuması birbirlerinden %10 dahilinde değilse sapma var demektir ve derinlik okuması sorgulanmalıdır.



5.6 Bir Sondayı Bulmak için Çalışma İpuçları

- Scout'un maksimum sinyal kuvvetini bulmasına yardımcı olmak için uygun olduğunda ses kullanın.
- Ekvator geçildiyse ve sinyal hala maksimize olmadıysa, En yüksek sinyal kuvvetine kadar Ekvatoru izleyin. Basitçe sondanın Ekvatorunu bulmuş olmak (ekrandaki kesik çizgi) Sondanın bulunmuş olduğunu GÖSTERMEZ. Maksimum sinyal kuvveti noktası da bulunmalıdır. Sonda aşırı derecede eğikse, Ekvator doğrudan sondanın üzerinde uzanmayacaktır ve sondadan her iki Kutba olan mesafe eşit değildir. Sonda eğikse, sinyali maksimize edin.
- Her zaman maksimum sinyal kuvveti noktasını onaylayın. Tüm gerekli koşulların karşılanması halinde haritanın gösterdiğini doğrulayın. harita aşağıdaki koşulların karşılandığını farz eder:
 1. Zeminin düz olduğunu.
 2. Sondanın düz olduğunu.
 3. Scout Hat Tespit Dedektörü zemin seviyesinin üzerinde olduğunu.

4. Scout Hat Tespit Dedektörünü dik olarak tuttuğunuzdan ve antenleri aşağıya doğru baktığından emin olunuz

Bu koşullar gerçekleştirilemiyorsa, sinyal kuvvetinin maksimum düzeye çıkarılmasına özellikle dikkat edin. Genelde, yukarıdaki koşullar doğruysa ve Scout sinyal kuvvetinin iki "derinliği" arasındaysa, harita kullanışlı ve doğru olacaktır. Hedefin ya da sinyal kaynağının yüzeye çok yakın olması durumunda haritayı kullanırken bunu göz önünde bulundurun. Harita için faydalı arama alanı, sondanın yüzeye çok yakın olması durumunda küçük olabilir.

5.7 Eğik sondalar

Sonda eğilmişse, bir Kutup, sondaya yaklaşırken diğeri uzaklaşacak bu şekilde sonda konumu artık iki kutup arasındaki orta noktada bulunmayacaktır. Yakın olan Kutbun sinyal kuvveti uzak Kutbun sinyal kuvvetinden çok daha yüksek hale geliyor. Aşırı derecede, sonda dikey olarak eğildiğinde, bir Kutup

doğrudan sondanın üzerine gider ve bu Kutup aynı zamanda maksimum sinyal kuvveti noktasına tekabül eder. Diğer Kutup görünmeyecektir.

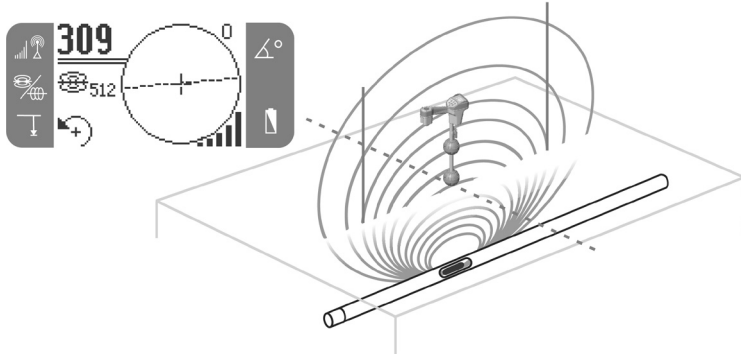
Bu nedenle sonda dikey olduğunda bile, hatta veya yeraltı tankında bir kırılma olduğunda bile sonda hala bulunabilir.

Ekranı görünen şey sonda dikey olduğunda maksimum sinyal kuvvetinin Kutbudur.

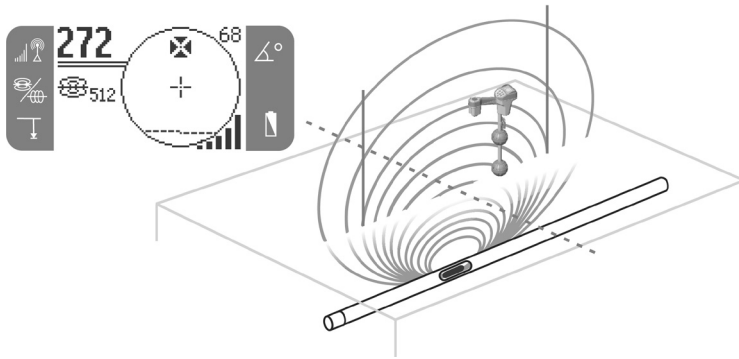


Çok yönlü antenler sonda eğik olduğunda bile derinliğin ölçülebilmesini sağlar. Bu koşullar altında derinliği ölçmek için derinliği zorla özelliği kullanılmalıdır (bkz. Derinliğin Ölçülmesi).

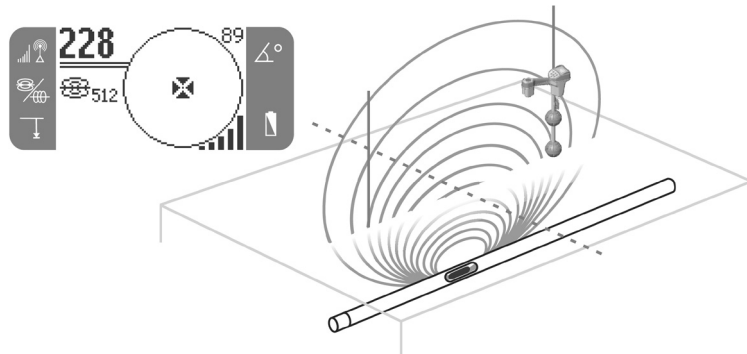
Mikro harita ekranı - Örnekler- Sonda Modu



Scout Ekvatorda



Scout Ekvatordan ayrılıp Kutba yaklaşıyor



Scout Kutupta

6. Scout ile Hat Tespit İşlemi

Scout aynı zamanda yerüstünden işaretleyebileceğiniz şekilde boru veya hattın tespit edilmesi için de kullanılabilir. Bu kazım esnasında dikkat edilmesi gereken hatlar veya onarım ve değiştirme durumlarında hatların yerlerinin belirlenmesinde gereklidir. Scout çeşitli frekanslardaki elektrikli hatları hatlarını bulabilir veya pasif bir şekilde iletken üzerindeki çeşitli sinyalleri tarayıp bulmak için kullanılabilir. Yeraltı hatları hat vericisi ile enerjilendirilir. Ardından bu aktif sinyal Scout benzeri bir alıcı kullanarak tespit edilir.

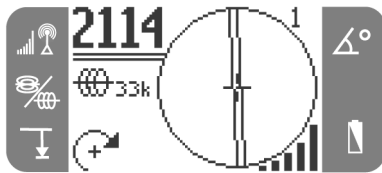
1. Hat vericisini üreticinin talimatları uyarınca hatta bağlayın.

"Verici" tespit edilebilir sinyal üreten herhangi bir şeye verilen genel addır. Bir sondayı veya bir kablo veya boruya enerji vermek için kullanılan herhangi bir cihazı tanımlamak için kullanılabilir.

2. Vericide kullanılan frekansı Scout üzerindeki aynı frekans ile eşleyin. Hat tespit modu simgesi olduğundan emin olun. Hat tespit ekranına geri dönmek için menü tuşuna basın.



3. Hat tespit işlemine başlarken Scout'u ileri geri oynatarak sinyal kuvvetinin gözlenmesi tavsiye edilir. ENdükatif (inductive) modu kullanıyorsa dedektörü kabloları veya vericiye doğrultun. Hattın üzerinde her iki tarafta hem zirve (peak) hem de dip (nulls) tarafı olmalıdır. Sinyal kuvveti ve ekrandaki hatlar AYNI DEĞİLSE, sinyal sapmış olabilir.
4. Hat tespiti yaparken, boru veya kablo yolu ekran üzerinden 2 düz çizgi ile gösterilir. Çizgileri ortada tutulması, Scout'un yeraltındaki bir hattı izlediğini gösterir. Hat sola veya sağa dönerse Hattı ortaya getirmek için Scout'u hareket ettirin. Bir hattan yayılan sinyal, söz konusu hat üzerinde en kuvvetli durumdadır. Durum bu değilse sapma vardır.



NOT Hat tespit frekansı kullanılırken ekranda iki çizgi vardır. Sonda frekansı kullanırken Ekvator tek bir çizgidir.

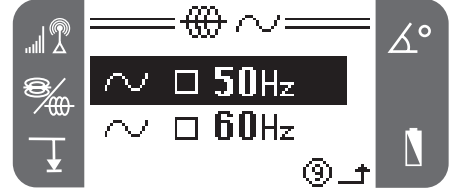
DIKKAT Hatalı okumalara neden olabilecek sinyal etkileşimlerini izleme konusunda dikkatli olmalısınız. Derinlik okumaları tahmini olarak alınmalıdır ve gerçek derinlikler çukur kazma işlemi öncesi diğer yöntemlerle doğrulanmalıdır.

5. İzlemeye başlarken Scout'u ileri geri oynatarak önce sinyal kuvvetinin gözlenmesi tavsiye edilir. Endükatif modu kullanıyorsa direği kabloları veya vericiye doğrultun. Hattın üzerinde her iki tarafta hem zirve (peak) hem de dip (nulls) tarafı olmalıdır. Sinyal kuvveti ve ekrandaki hatlar AYNI DEĞİLSE, sinyal sapmış olabilir.

6.1 Pasif Modla AC Elektrik Hattının Tespit Edilmesi

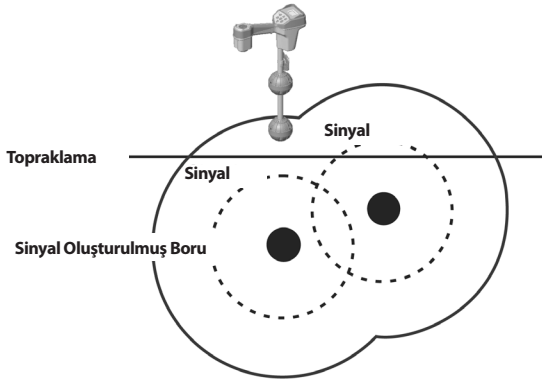
Pasif modda Scout alternatif akımı veya AC dalgalarını algılar. Gömülü elektrik hatları tipik olarak tellerden elektrik geçmedikçe herhangi tespit edilebilir bir sinyal oluşturmaz ve yaymaz. Örneğin kapalı olan sokak lambalarının pasif şekilde izlenmesi zordur.

1. Pasif hat tespit simgesi ~ olan bir Pasif AC Elektrik Tespit Frekansı seçin.
2. Scout üzerinde iki (2) standart AC Elektrik Tespit frekansı vardır. Bunlar 50 Hz ve 60 Hz'dir.

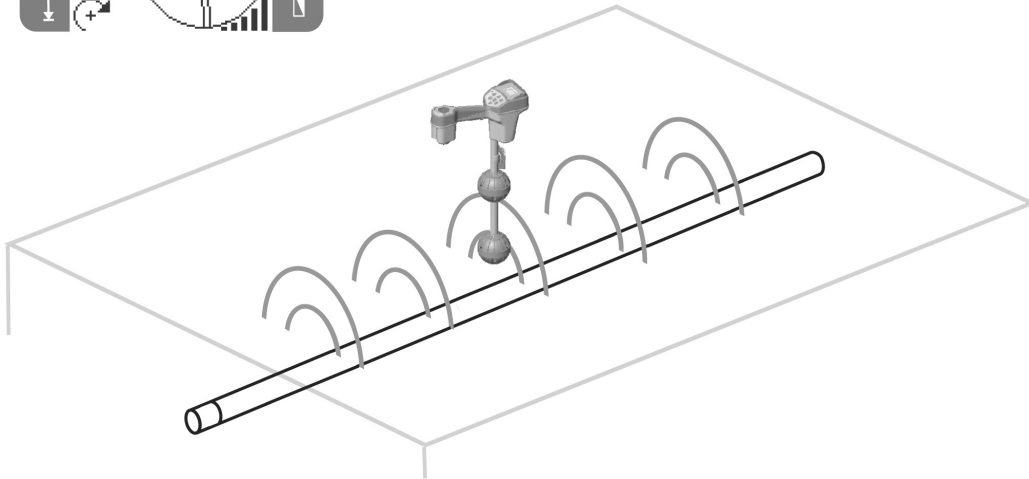
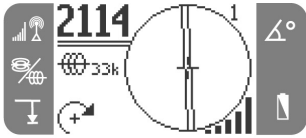


6.2 Hat Tespit için Çalışma İpuçları

- **Hatlar harita üzerinde ortalanmamışsa fakat sinyal kuvveti maksimum seviyede ise sapma mevcuttur!**
 - a. Frekansı daha düşük bir frekansla değiştirmeyi deneyin.
 - b. Toprak saplama kazığının konumunu izlenmesi gereken hattan uzaklaştırın.
 - c. Hattın ortak şekilde bir başka hatta bağlı olmadığından emin olun.
 - Hatlar ortada değilse ya da ekranda açıklanamayacak şekilde ayrılmışsa, Scout net bir sinyal alamıyor olabilir.
 - a. Vericinin çalıştığından ve iyi bir şekilde topraklandığından emin olun.
 - b. Alt anteni vericinin her iki ana kabloşuna doğrultarak devreyi test edin.
 - c. Scout ve vericinin aynı frekansta çalışmakta olduğunu kontrol edin.
 - d. En düşükten başlayarak sinyal bağımsız bir şekilde tespit edilebilene kadar farklı frekanslar deneyin.
 - Akım en iyi olarak en küçük hatlardan en büyük hatlara (en düşük direnç) doğru akar. Evden sokağa boru izlemenin bir örneği.
 - Hat tespit işlemi yaparken, yönlendirme oklarının ekranda merkezlendiği aynı noktada sinyal kuvveti maksimum düzeye çıkarılmalı, derinlik azaltılmalıdır. Durum böyle değilse, tesisat dönüyor olabileceği gibi, bileşik başka sinyaller bulunuyor da olabilir.
 - Yüksek frekansların atlaması daha olasıdır, bunun için hat takip teli üzerinden gitmek gerekebilir ya da yalıtım bağlantıları üzerinden gidilmelidir.
 - Vericiyi iletken olarak kullanırken "hava kuplajını" önlemek için 10 / 15 m uzaktan bulmaya başkadığınızda emin olun. Bu durum Scout'un vericiden gelen sinyali izlenecek olan hattan değil, doğrudan havadan aldığı durumlarda meydana gelir.
- Hat Çizgisinin ortalanmaması ya da ekranda hatalı şekilde hareket etmesi halinde, Scout açık bir sinyal alamayacaktır.
- a. Zeminin düz olduğunu.
 - b. Hattın düz olduğunu.
 - c. Scout Hat Tespit Dedektörü zemin seviyesinin üzerinde olduğunu.
 - d. Scout anten direği hemen hemen dik konumda tutulduğunda.
- Bu koşullar gerçekleştirilemiyorsa, sinyal kuvvetinin maksimum düzeye çıkarılmasına özellikle dikkat edin. Genelde, Scout sinyal kuvvetinin iki "derinliği" arasındaysa, harita kullanışlı ve doğru olacaktır. Hedefin ya da hattın yüzeye çok yakın olması durumunda mikro haritayı kullanırken bunu göz önünde bulundurun. Mikro harita için faydalı arama alanı, sondanın yüzeye çok yakın olması durumunda küçük olabilir.



Mikro harita - Örnek – Hat Tespiti



7. Araçlar Menüü

7.1 Derinlik Birimlerinin Değiştirilmesi

Scout derinlik ölçülerini fit veya metre olarak değiştirebilir. Bu ayarları değiştirmek için menüde derinlik birimleri seçimini vurgulayın, fit ya da metre arasında geçiş yapmak için seç tuşuna basın.



7.2 Otomatik Arka Aydınlatma

Düşük ışık seviyeleri tuş takımının üst sol köşesindeki dahili bir ışık dedektörü tarafından algılanır. Arka ışık, bu sensöre gelen ışığın baş parmakla engellenmesi ile devreye alınır.

Otomatik LCD arka ışık yalnızca karanlık ortamlarda açılacak şekilde fabrikada ayarlanmıştır. Bunun amacı pil gücünden tasarruf etmektir. Piller azalmaya

başladığında arka ışık sönmek görülecektir. Pil ömrünün sonuna yakın, pil gücünü korumak için arka ışık çok düşük seviyede çalışır.

Arka ışığı kapatmak için, menünün araçlar kısmından ışık ampülü simgesini vurgulayın ve otomatik ve KAPALI arasında geçiş yapmak için seç tuşuna basın.



7.2.1 LCD Kontrastı

Bu vurgulandığında ve seçildiğinde LCD kontrastı üst ve alt ok tuşları ile ayarlanabilir.



8. Faydalı bilgiler

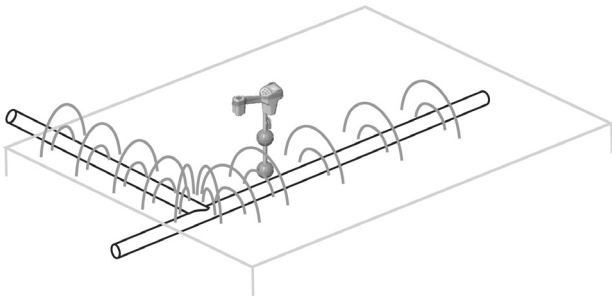
8.1 Sinyal Etkileşimleri

8.1.1 Kirlenmiş (distorsiyon) Sinyal Dalgaları

Bazen toprağın altındaki tek bir dalga, metal veya demir içeren malzeme ile karşılaşılabilir ve bu sinyal dalgalarının sapmasına neden olabilir. Bu başka bir tesisat, gömülmüş hurda veya başka bir hat ile sinyal dalgalarını kısaltan eski kullanılmayan hatlar olabilir. Bu durumda nesne etrafında Scout daha zayıf bir sinyal ve üzerinde daha güçlü bir sinyal görüntüleyebilir. Nesne sinyali tahmin edilemeyecek şekilde yükselten ve zayıflatan bir lens gibi hareket eder.

8.1.2 Çakışan Dalgalar

Kompozit dalgalarda mümkündür. Tek bir dalga, bir iki veya daha fazla dalgayla karşılaşır daha büyük bir sinyal oluşturabilir. Operatörün bunu "Ts" etrafında veya çakışan dalgalara sıkça rastlanılan hattaki doğru açılarda olup olmadığını anlaması önemlidir.



Çakışan dalgalar çizgi içinde bir bağlantı ile gösterilir.

8.1.3 Gürültü

Çakışan sinyalleri (gürültü) hat tespit zorluklarından biridir. Çakışma aynı frekansın kullanılmasından veya diğer frekanslardaki "bant dışı yayım" nedeniyle olabilir. En büyük girişim sinyallerinden bazıları güç aktarım donanımları tarafından üretilir. Trafolar, büyük elektrikli motorlar veya jeneratörlerdir ve hatlar büyük gürültü sinyallerinin kaynağı olabilirler. Kısmen gürültülü dalgalar mümkünse görmezden gelinebilir. Açık göstergesi dengesiz ve kararsız ve/veya sinyal seviyeleri kararlı değilse, bu hedef sinyalin olmadığına dair iyi bir işaret (sonda ve enerjili hat) veya yüksek seviyeli gürültü girişimine dair bir işaret olabilir.

8.2 Hassas Ölçüm Hakkında Notlar

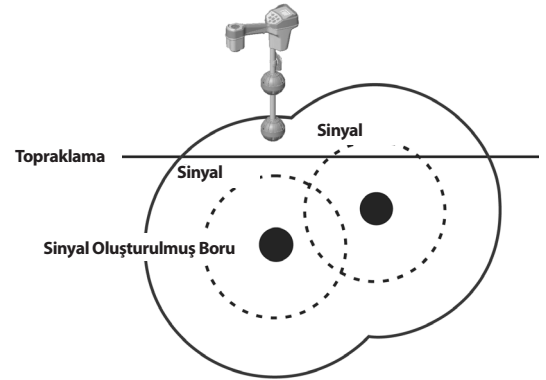
Derinlik ve Sinyal Kuvveti ölçümleri Scout tarafından alınan kuvvetli bir sinyale dayanır. Scout yeraltındaki hatlardan (metal kablolar ya da borular gibi elektrikli iletkenler) ya da sondalardan (aktif olarak iletilen sinyaller) yayılan elektromanyetik alanların yerin üzerinden algılanmasında kullanılır.

Dalgalar net ve bozulmamış olduğunda, tespit edilen dalga gömülü hattı temsil eder.

Bu dalgaların bozulmuş olması ve etkileşen birden fazla alanın bulunması Scout'un hatalı hat tespiti yapmasına neden olacaktır. Hat tespiti kesin bir bilim değildir. Operatörün kendi kanaatini kullanmasını ve cihaz okumaları ne olursa olsun mevcut tüm bilgileri değerlendirmesini gerektirir. Scout kullanıcıya pek çok bilgi verecektir ancak bu bilgilerin doğru şekilde yorumlanması kullanıcıya bağlıdır. Hiçbir hat tespit dedektörü üreticisi bir operatörün yalnızca cihazlarından alınan bilgileri izlemesi gerektiğini iddia edemez.

Tespit sırasındaki kesinlik koşulları sorgulanmalıdır:

- **Başka kablolar ve tesisatlar mevcut olduğunda.** "Atlama" bozulan dalgalar oluşturabilir ve hatları tespit işleminde sapmalara neden olabilir. Mümkün olan en düşük frekansları kullanın ve iki hat arasındaki tüm bağlantıları ortadan kaldırın.



- **Verici endüktif modda kullanıldığında.** Bu hatta zayıf bir sinyal verir. Mümkün olan yerlerde doğrudan bağlantı yapın.
- **Hat üzerinde dirsekler, dönüşler ya da bölmeler bulunduğu.** Sinyalde sapmalara neden olabilir.
- **Sinyal Kuvveti düşük olduğunda.** Kesin bir hat tespiti için güçlü bir sinyal gereklidir.
- **Toprak koşulları farklılık gösterdiğinde.** Aşırı nem, çok kuru ve aşırı doymun koşullar ölçümleri etkileyebilir. Örneğin sahillerde karşılaşılabileceğimiz tuzlu su ile doymunlaşmış zemin, sinyali ciddi şekilde örtecek, bulunmasını zorlaştıracaktır.

9. Nakliye ve Depolama

Nakliye öncesinde, pil gücünü korumak için ünitenin kapalı olduğundan emin olun.

Nakliye sırasında ünitenin emniyette olduğundan, zıplamayacağından ya da gevşemiş bir ekipmandan darbe almayacağından emin olun.

Scout, serin ve kuru yerde saklanmalıdır.

Scout uzun süreli olarak saklanacaksa, piller çıkartılmalıdır.

10. Aksesuarların Takılması/Kullanılması

Scout, Kutup ya da Sonda konumlarını yerin üzerinde işaretlemek için kullanılabilen markörleri ile birlikte gelir. Kutupları işaretlemek üzere iki (2) kırmızı markör ve sondayı işaretlemek üzere bir (1) sarı markör bulunmaktadır. Daha fazla yardım gerekirse, bayinizle veya RIDGID temsilciniz ile irtibat kurun.

11. Bakım ve Temizlik

⚠ UYARI

1. Scout'u nemli bir bezle ve hafif yumuşak deterjanla temiz tutun. Suya daldırmayın.
2. Göstergelyi kalıcı olarak çizebileceğinden, temizlemek için kazıyarak temizleme aletleri kullanmayın. Bu sistemin parçalarını temizlerken ASLA SOLVENT KULLANMAYIN. Aseton

14. Sorun Giderme Kılavuzu

PROBLEM	ARIZANIN MUHTEMEL YERİ
Scout kullanım esnasında kilitleniyor.	Üniteyi kapatıp tekrar açmayı deneyin. Ünite kapanmıyorsa pilleri çıkarın.
Arama yaparken, hatlar, mikro harita ekranı üzerinde "zıplıyor".	Bu, Scout'un sinyali almadığını ya da bir etkileşim olduğuna işaret eder. Verici bağlantısı ve topraklamasının doğru yapılmış olduğundan emin olun. Scout'u, tam bir devre olduğundan emin olmak üzere her iki ana kabloya doğrultun. Daha yüksek bir frekans deneyin. Herhangi bir gürültü kaynağını belirlemeyi ve bunu gidermeyi deneyin.
Bir sondanın yerini tespit ederken, hatlar, ekranın üzerinde "zıplıyor".	Sonda içindeki pillerin çalışıp çalışmadığını kontrol edin. Alt anteni sondaya yaklaştırarak sinyali doğrulayın. Not - Sondalar dökme demir ve düktil demir hatların üzerinden sinyal yaymada güçlük çeker.
Sonda ve Kutup arasındaki mesafe eşit değil.	Sonda eğilmiş olabilir ya da dökme demirden plastiğe geçiş olabilir.
Ünite hatalı çalışıyor, açılmıyor.	Piller bitmiş olabilir. Yeni pillerle değiştirin ve açın.
Açıldığında ekran tamamen karanlık veya tamamen aydınlık görünüyor.	Üniteyi kapatıp tekrar açmayı deneyin. LCD ekran kontrastını ayarlayın.
Ses yok.	Ses menüsünde ses düzeyini ayarlayın.
Scout sinyal almıyor.	Doğru mod ve frekansın ayarlanmış olduğunu kontrol edin.
Scout açılmıyor.	Pillerin yönünü kontrol edin. Pillerin şarj edilip edilmediğini kontrol edin. Pil temas noktalarında bir sorun olup olmadığını kontrol edin. Ünitesinin bir sigortası yanmış olabilir (fabrika servisi gerekir).

ve güçlü kimyasallar gibi maddeler kasanın çatlamasına sebep olabilir.

12. Hatalı Bileşenlerin Tespiti

Sorun giderme önerileri için, lütfen kılavuzun sonundaki Sorun Giderme Kılavuzuna bakın. Gerekirse, daha fazla yardım için Ridge Tool veya bayinizle irtibata geçin.

13. Servis ve Tamir

⚠ UYARI

Alet bir RIDGID Bağımsız Yetkili Servis Merkezi'ne götürülmelidir.

15. Özellikler

Pillerle birlikte ağırlık.....	1,4 kg
Piller olmadan ağırlık.....	1 kg
Boyutlar	
Uzunluk.....	28,5 cm
Genişlik.....	11,0 cm
Yükseklik.....	56,0 cm
Güç Kaynağı	
4 C piller, 1,5 V Alkalın (ANSI/NEDA 14 A, IEC LR14) ya da 1,2 V NiMH veya NiCad şarj edilebilir piller	
Güç Ölçümü: 6 V, 550 mA	
Çalışma Ortamı	
Sıcaklık.....	20°C - 50°C
Nem.....	%5 ila %95 BN
Saklama Sıcaklığı.....	-20°C - 60°C
Standart Frekanslar	
Sonda.....	512 Hz, 640 Hz, 874 Hz, 33 kHz
Aktif Hat Arama.....	512 Hz, 8 kHz, 33 kHz
Pasif Hat Arama.....	60 Hz, 50 Hz

Varsayılan Ayarlar

Hat tespit dedektörü için varsayılan ayarlar
 Derinlik birimleri = Metre ve santimetre
 Ses seviyesi = 1 (sessizin üzerinde bir ayar)
 Arka ışık = Otomatik

Standart Ekipman

- Scout Hat Tespit Dedektörü
- İşaret Markaları ve Tutma Klipsi
- 2 Operatör El Kitabı: ABD - Avrupa
- 4 adet C hücreli pil (Alkalın)
- Video PAL








İsteğe Bağlı Ekipman

- İlave Sonda İşaret Markaları
- NaviTrack Verici
- İndüksiyon Kelepçesi
- Kurşun Sonda
- Yüzer Sonda

16. İşaretlerin Açıklamaları**GÖSTERGE SİMGELERİ**

-  Sonda Frekansı
-  Aktif Arama Frekansı
-  Pasif (AC) Elektrik Frekansı
-  Ses Seviyesi
-  Pil Düzeyi
-  Derinlik
-  Yatay Açı Göstergesi
-  Sinyal Kuvveti
-  Araçlar Menüsü
-  LCD Kontrastı
-  LCD Arka Işık

TUŞ TAKIMI SİMGELERİ

-  Menü Navigasyonu
-  Ses Tonu Sıfırlama / Menü Ögesi Seç
-  Menü Navigasyonu / Derinliği Zorla (3 sn. basma)
-  Güç AÇIK / KAPALI Tuşu
-  Menü Tuşu
-  Sonda / izleme / Frekans Modu Tuşu
-  Ses Düzeyi Denetimi Tuşu

What is covered

RIDGID® tools are warranted to be free of defects in workmanship and material.

How long coverage lasts

This warranty lasts for the lifetime of the RIDGID® tool. Warranty coverage ends when the product becomes unusable for reasons other than defects in workmanship or material.

How you can get service

To obtain the benefit of this warranty, deliver via prepaid transportation the complete product to RIDGE TOOL COMPANY, Elyria, Ohio, or any authorized RIDGID® INDEPENDENT SERVICE CENTER. Pipe wrenches and other hand tools should be returned to the place of purchase.

What we will do to correct problems

Warranted products will be repaired or replaced, at RIDGE TOOL'S option, and returned at no charge; or, if after three attempts to repair or replace during the warranty period the product is still defective, you can elect to receive a full refund of your purchase price.

What is not covered

Failures due to misuse, abuse or normal wear and tear are not covered by this warranty. RIDGE TOOL shall not be responsible for any incidental or consequential damages.

How local law relates to the warranty

Some states do not allow the exclusion or limitation of incidental or consequential damages, so the above limitation or exclusion may not apply to you. This warranty gives you specific rights, and you may also have other rights, which vary, from state to state, province to province, or country to country.

No other express warranty applies

This FULL LIFETIME WARRANTY is the sole and exclusive warranty for RIDGID® products. No employee, agent, dealer, or other person is authorized to alter this warranty or make any other warranty on behalf of the RIDGE TOOL COMPANY.



Parts are available online at RIDGIDParts.com

**Ridge Tool Company**

400 Clark Street
Elyria, Ohio 44035-6001

We
Build
Reputations™



EMERSON. CONSIDER IT SOLVED.

Ce qui est couvert

Les outils RIDGID® sont garantis contre tout défaut de fabrication ou de matériel.

Durée de la garantie

Cet outil RIDGID® est garanti pour toute la durée de vie du produit. La garantie prend fin lorsque le produit devient inutilisable pour des raisons autres que les défauts de fabrication ou de matériel.

Comment procéder pour bénéficier de la garantie ?

Pour bénéficier de cette garantie, renvoyez le produit complet en port payé à RIDGE TOOL COMPANY, Elyria, Ohio ou à un CENTRE DE SERVICE INDEPENDANT RIDGID® agréé. Les clés serre-tubes et autres outillages à main doivent être renvoyés à votre distributeur.

Les solutions que nous offrons

Les produits sous garantie sont réparés ou remplacés, au choix de RIDGE TOOL, et renvoyés gratuitement ; ou si après trois tentatives de réparation ou de remplacement pendant la période de garantie le produit est toujours défectueux, vous pouvez demander le remboursement complet de votre prix d'achat.

Ce qui n'est pas couvert

Les pannes dues à une mauvaise utilisation, à un emploi abusif ou à l'usure normale du produit ne sont pas couverts par la présente garantie. RIDGE TOOL ne se porte pas garant pour les dommages causés indirectement ou par accident.

Législation nationale affectant la garantie

Certains états n'autorisent pas l'exclusion ou la restriction touchant les dommages causés indirectement ou par accident. Il se peut que la restriction ou l'exclusion citée ci-dessus ne vous concerne pas. Cette garantie confère des droits spécifiques et d'autres droits peuvent s'appliquer, lesquels varient d'un état à l'autre, d'une province à l'autre ou d'un pays à l'autre.

Absence d'autres garanties expresses

Cette GARANTIE A VIE est la seule et unique s'appliquant aux produits RIDGID®. Aucun employé, agent ou distributeur, ni aucune autre personne n'est autorisé à la modifier ou à créer une autre garantie au nom de RIDGE TOOL COMPANY.

Cobertura de la garantía

La garantía RIDGID® cubre los defectos de mano de obra y material de sus herramientas.

Duración de larga cobertura

Esta garantía se extiende a toda la vida útil de las herramientas RIDGID®. La garantía finaliza en el momento en que el producto deja de ser utilizable por razones distintas a defectos de mano de obra o material.

Modo de obtención de servicio

Para beneficiarse de esta garantía, el usuario deberá enviar el producto en su totalidad con franqueo pagado a RIDGE TOOL COMPANY, Elyria, Ohio, o cualquier CENTRO DE SERVICIO AUTORIZADO INDEPENDIENTE RIDGID®. Las llaves de tuberías y demás herramientas manuales deben ser devueltas a su lugar de adquisición.

Solución de problemas

Los productos en garantía serán reparados o sustituidos por cuenta de RIDGE TOOL y devueltos sin cargo alguno. Si, después de tres reparaciones o sustituciones dentro del período de garantía, el producto siguiera defectuoso, el usuario podrá optar por la devolución del importe de la compra.

Aspectos no cubiertos en la garantía

Esta garantía no cubre los fallos debidos al mal uso o al desgaste y deterioro normales. RIDGE TOOL no se responsabiliza de los daños o perjuicios fortuitos o imprevistos.

Aplicación de las leyes y normativas locales a la garantía

Algunos países no permiten la exclusión o limitación de los daños o perjuicios fortuitos o imprevistos, por lo que las limitaciones o exclusiones aquí mencionadas podrían no ser de aplicación en su caso. Esta garantía le otorga derechos específicos, aparte de los que usted pueda tener y que pueden variar según el país, región o provincia.

Exclusividad de la garantía aplicable

Esta GARANTÍA TOTAL es la única y exclusiva garantía aplicable a los productos RIDGID®. Ningún empleado, agente, distribuidor o demás personas están autorizados a modificar esta garantía o aplicar ninguna otra en nombre de RIDGE TOOL COMPANY.